



US00D350329S

United States Patent [19]

[11] Patent Number: **Des. 350,329**

Lindeman et al.

[45] Date of Patent: **** Sep. 6, 1994**

[54] **MULTI-UNIT BATTERY CHARGER FOR PORTABLE RADIO BATTERIES**

[75] Inventors: **Phillip E. Lindeman, Roselle, Ill.; David M. Meyers, Margate, Fla.**

[73] Assignee: **Motorola, Inc., Schaumburg, Ill.**

[**] Term: **14 Years**

[21] Appl. No.: **843,093**

[22] Filed: **Mar. 2, 1992**

[52] U.S. Cl. **D13/107**

[58] Field of Search 320/234; D13/107, 108, D13/144; D14/114, 217, 218, 240

[56] **References Cited**

U.S. PATENT DOCUMENTS

- D. 193,664 9/1962 Armbruster D13/108
- D. 278,426 4/1985 Lanci et al. D13/107

D. 278,704 5/1985 Claxton et al. D13/107

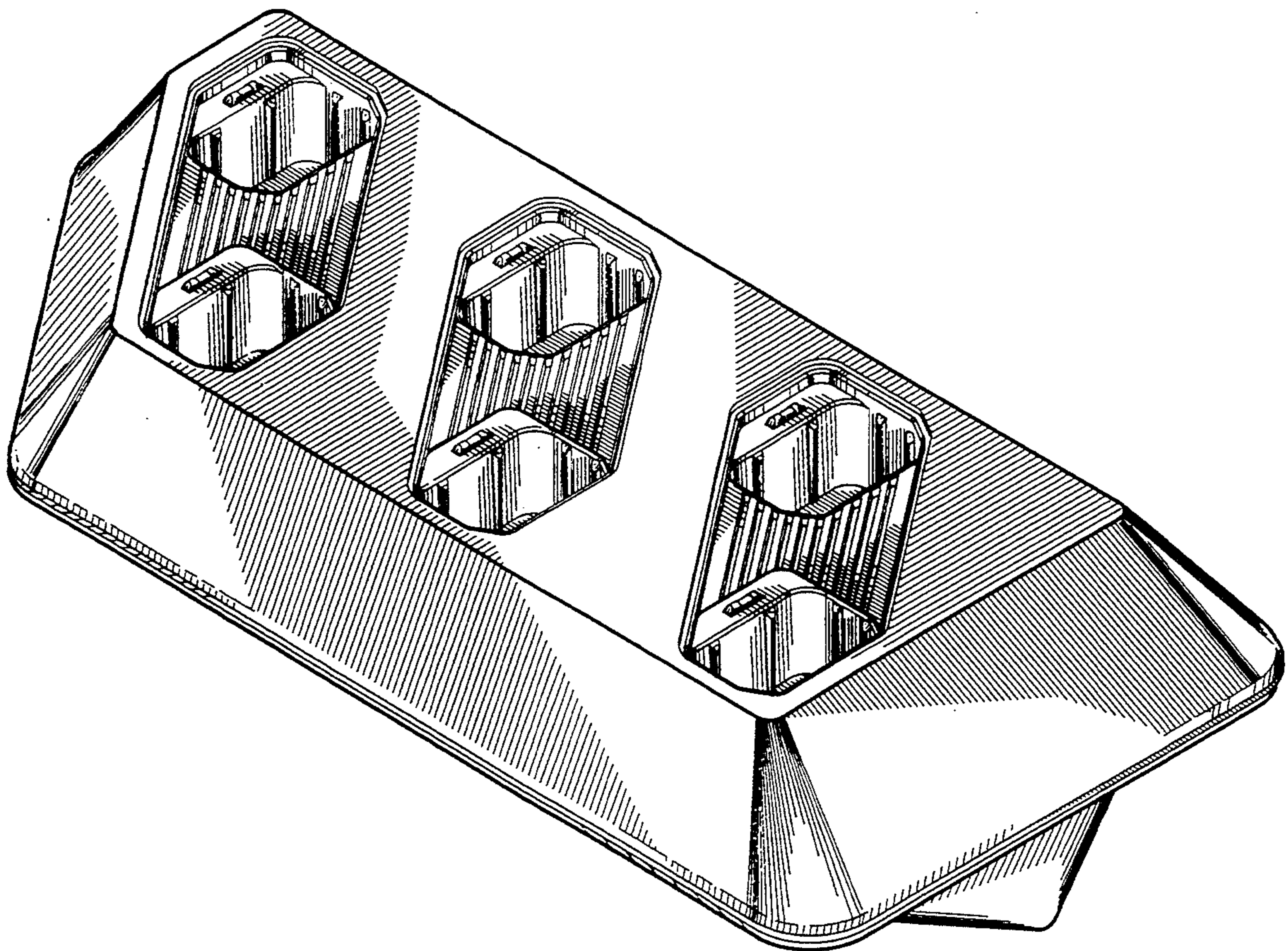
Primary Examiner—Wallace R. Burke
Assistant Examiner—Joel Sincavage
Attorney, Agent, or Firm—Donald B. Southard

[57] **CLAIM**

The ornamental design for a multi-unit battery charger for portable radio batteries, as shown and described.

DESCRIPTION

FIG. 1 is a front, top and right perspective view of a multi-unit battery charger for portable radio batteries showing our new design; FIG. 2 is a bottom plan view thereof; FIG. 3 is a rear elevational view thereof; FIG. 4 is a left side elevational view thereof; and, FIG. 5 is a top plan view thereof. The indentations on the backside of the charger unit in FIG. 3 are shown in dotted line for illustrative purposes only and form no part of the claimed design.



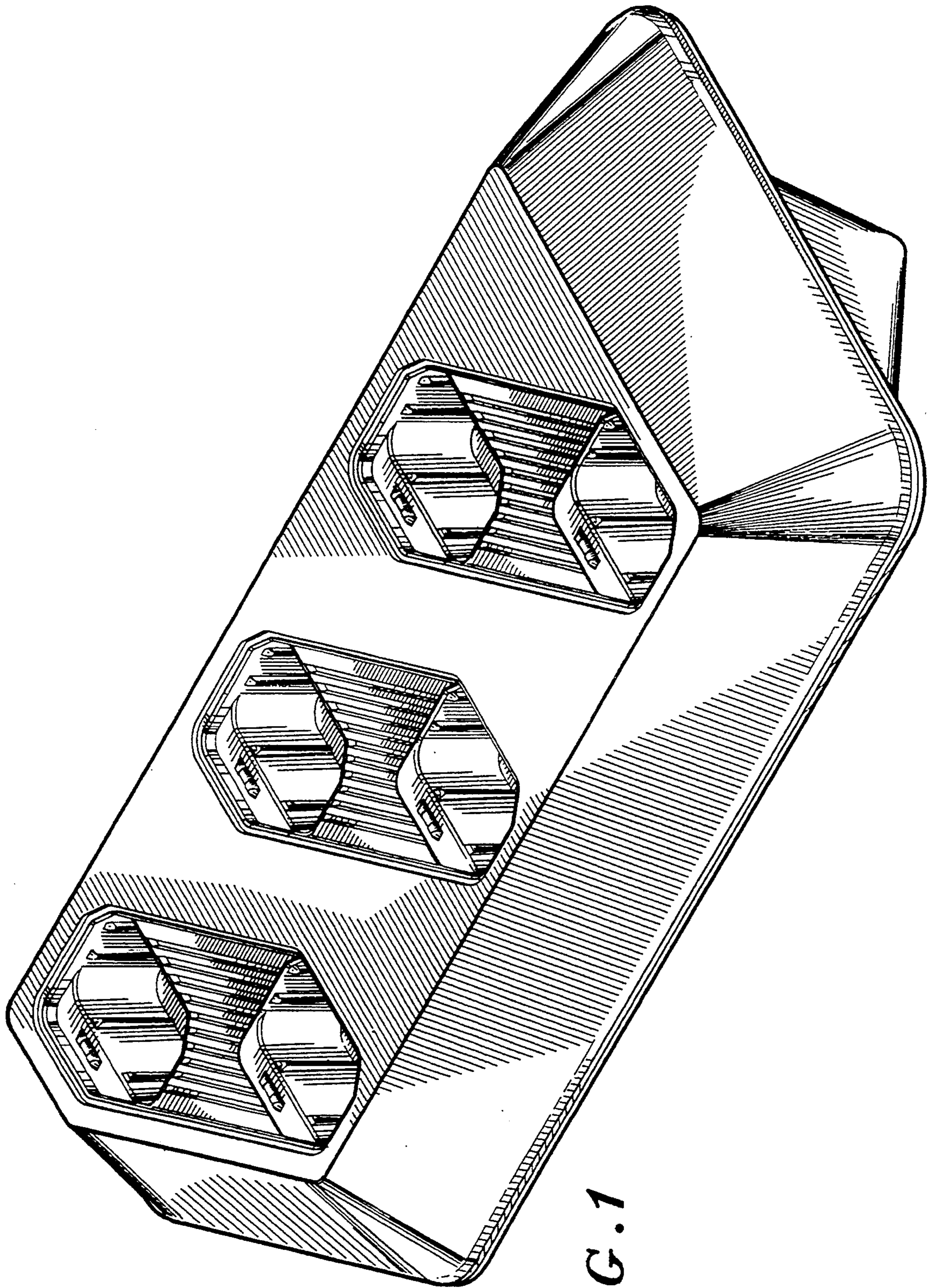


FIG. 1

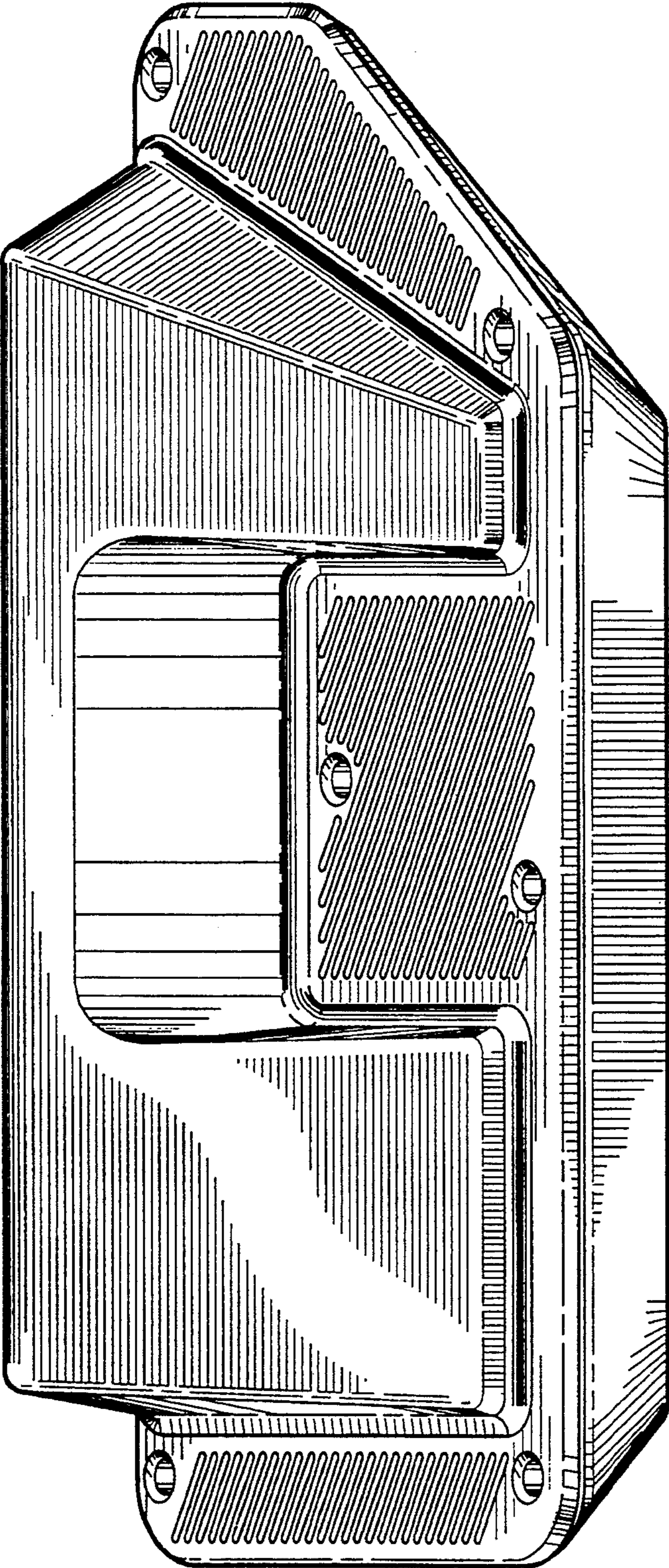


FIG. 2

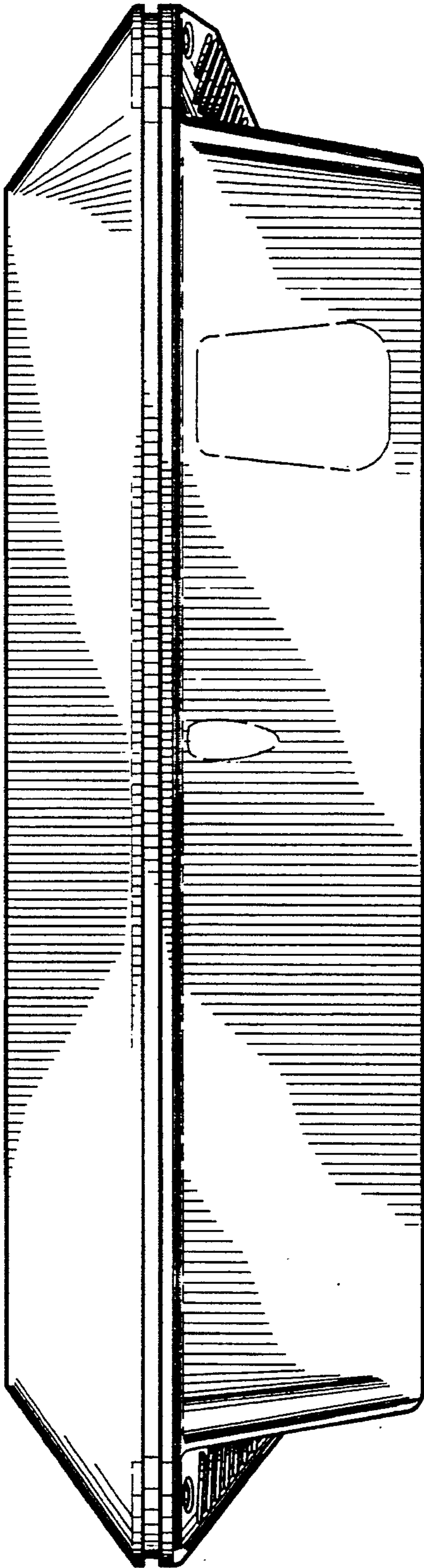


FIG. 3

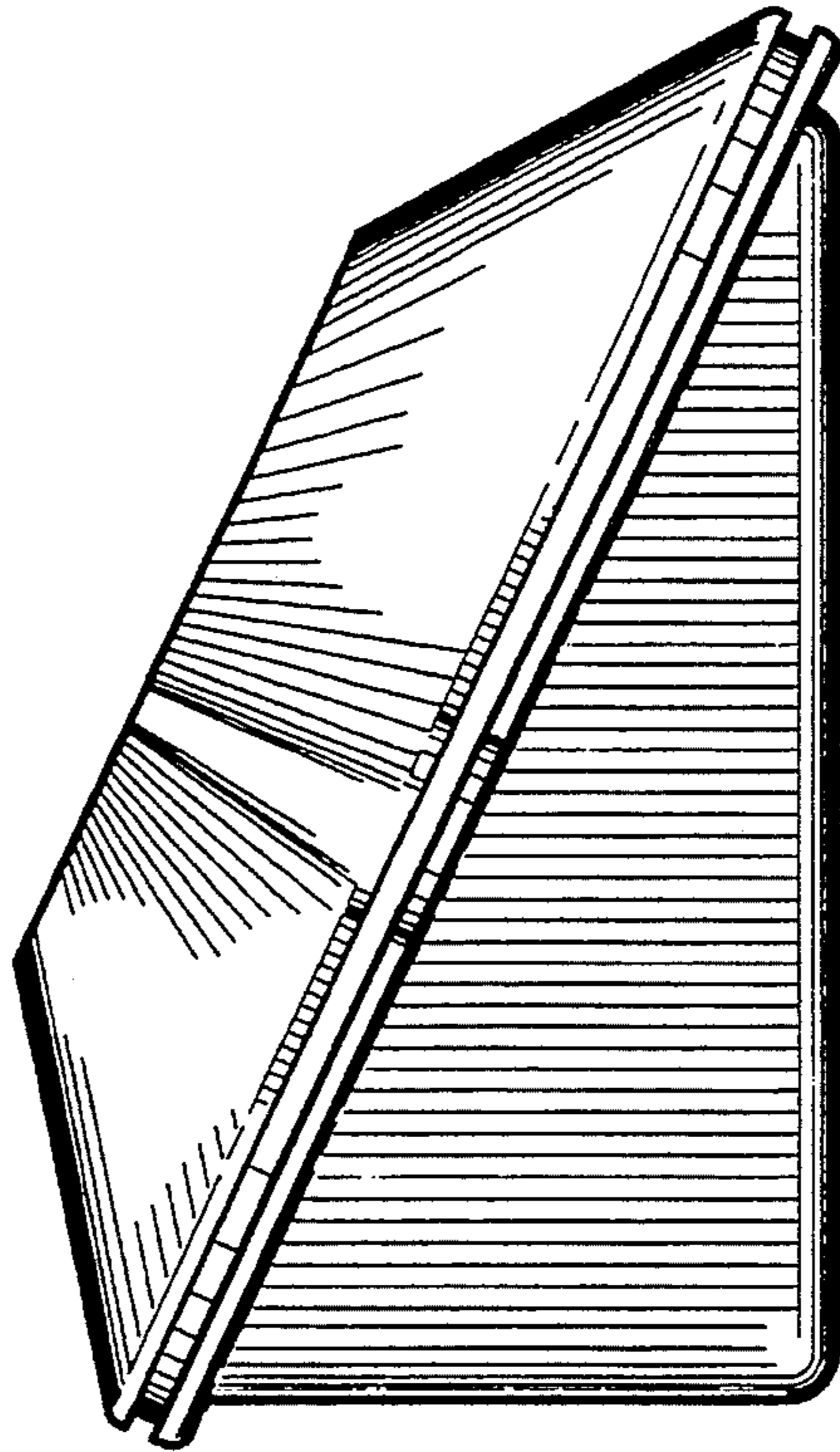


FIG. 4

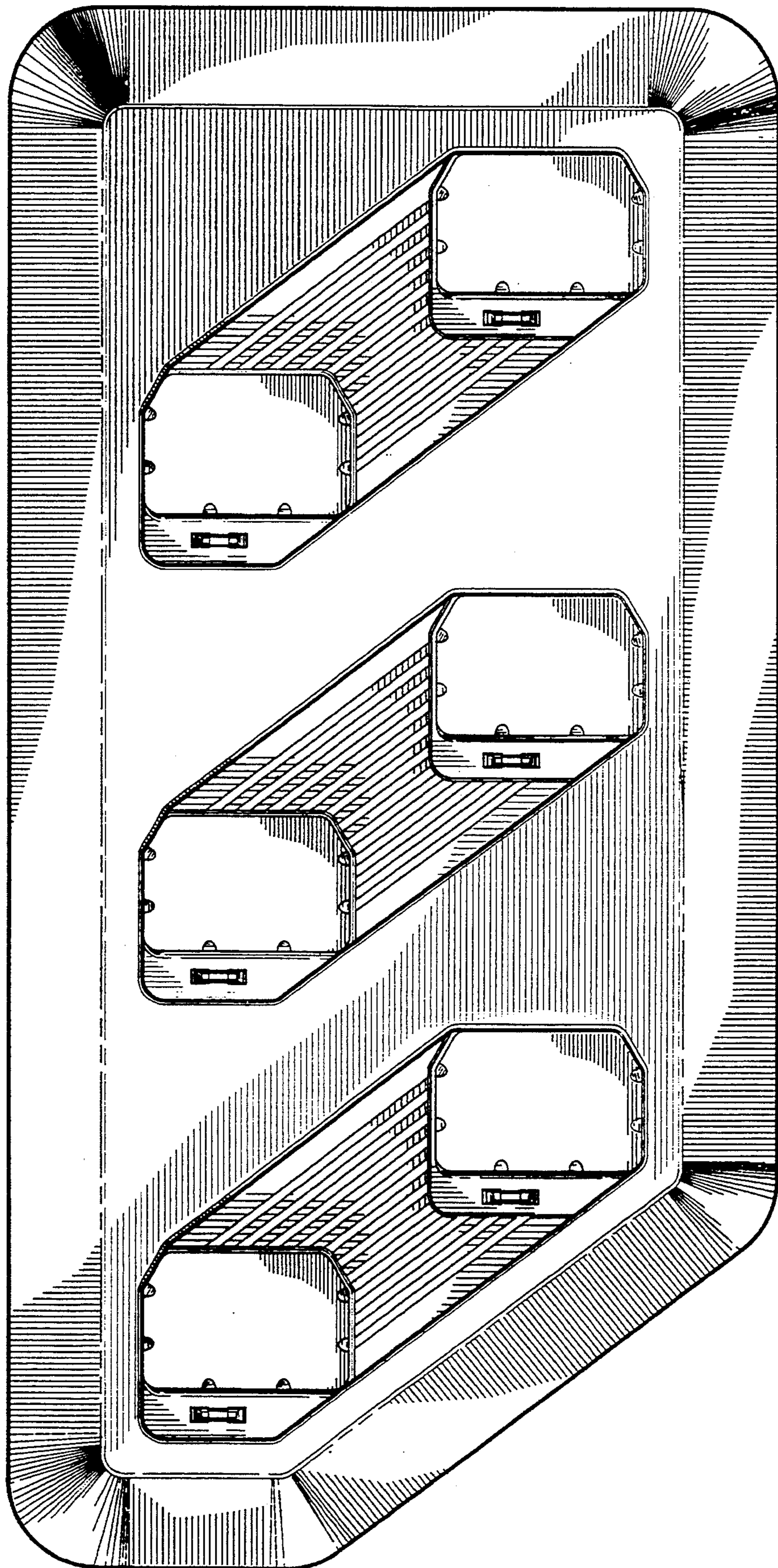


FIG. 5