



US00D350324S

United States Patent [19]
Miller

[11] **Patent Number: Des. 350,324**
[45] **Date of Patent: ** Sep. 6, 1994**

[54] **JET SKI**

[76] **Inventor: Edward W. Miller, 20022 Daniel La., Orange, Calif. 92669**

[**] **Term: 14 Years**

[21] **Appl. No.: 8,660**

[22] **Filed: May 24, 1993**

[52] **U.S. Cl. D12/307; D12/300**

[58] **Field of Search 114/270; D12/300, 307**

[56] **References Cited**

U.S. PATENT DOCUMENTS

- D. 319,211 8/1991 Kruse D12/307
- D. 332,772 1/1993 Jones, Sr. et al. D12/307
- 5,131,346 7/1992 Ohta et al. 114/270

Primary Examiner—Kay H. Chin

Attorney, Agent, or Firm—William L. Chapin

[57] **CLAIM**

The ornamental design for a jet ski, as shown and described.

DESCRIPTION

FIG. 1 is a right-side elevation view of the jet ski of the present invention, with the handle pole thereof in its lowermost operating position;

FIG. 2 is an upper plan view of thereof;

FIG. 3 is a front elevation view thereof;

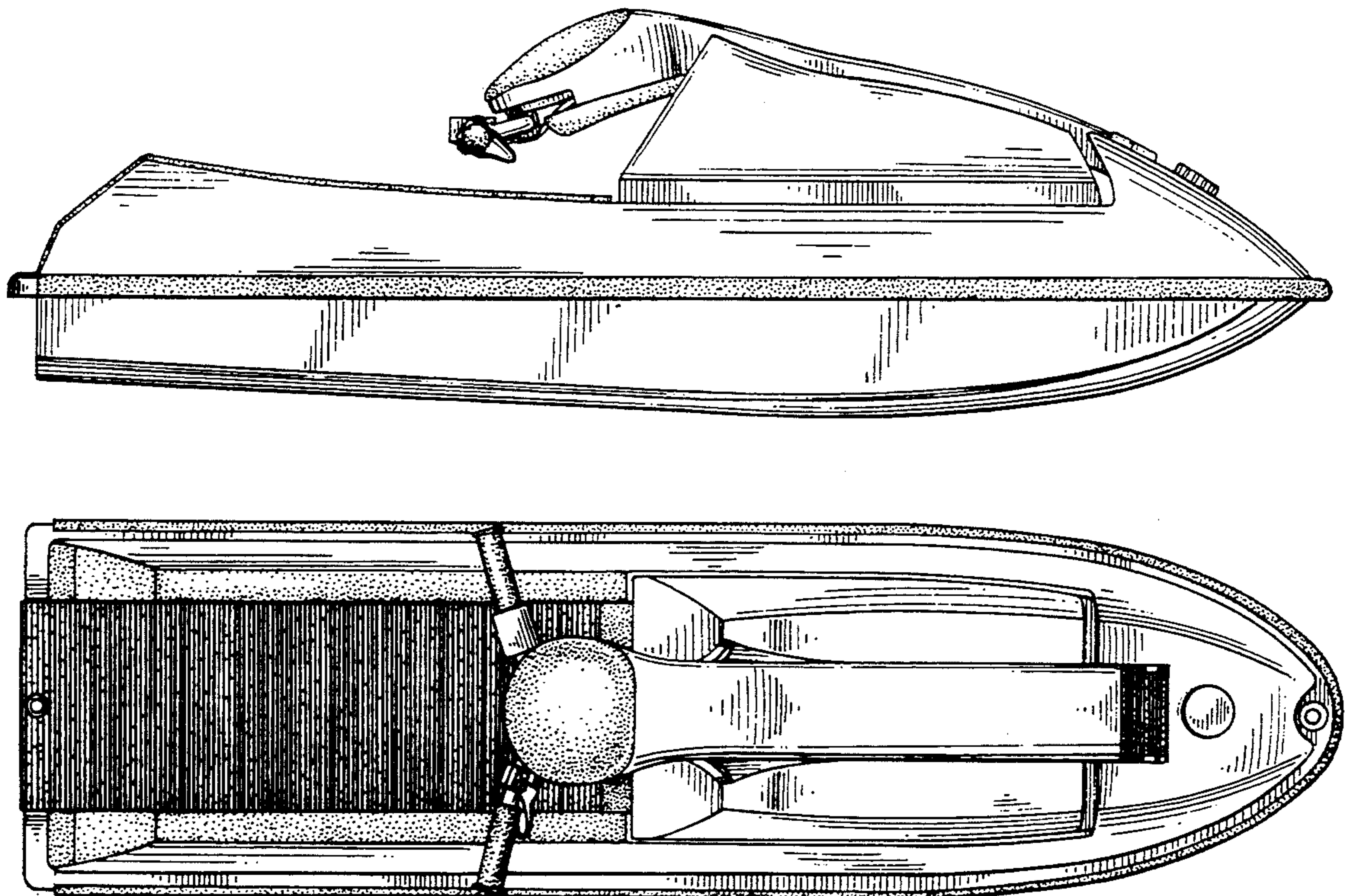
FIG. 4 is a rear elevation view thereof;

FIG. 5 is a lower plan view thereof;

FIG. 6 is a right side elevation view of the jet ski of FIG. 1, with the handle pole thereof in its uppermost operating position;

FIG. 7 is a front elevation view thereof; and,

FIG. 8 is an upper plan view thereof.



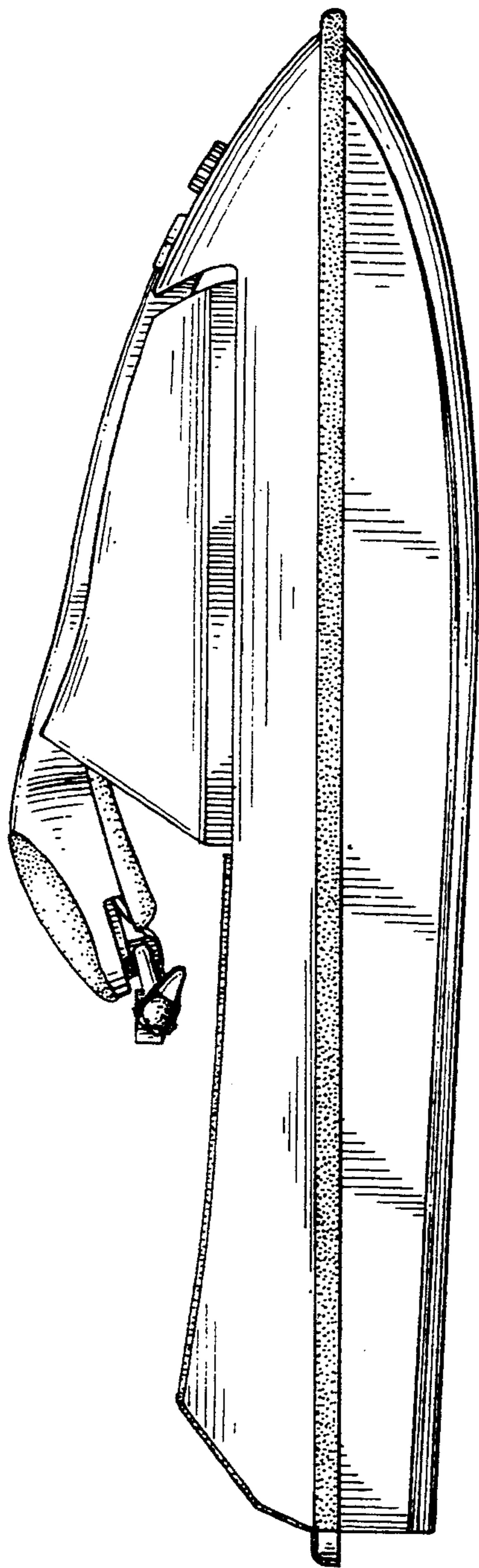


FIG. 1

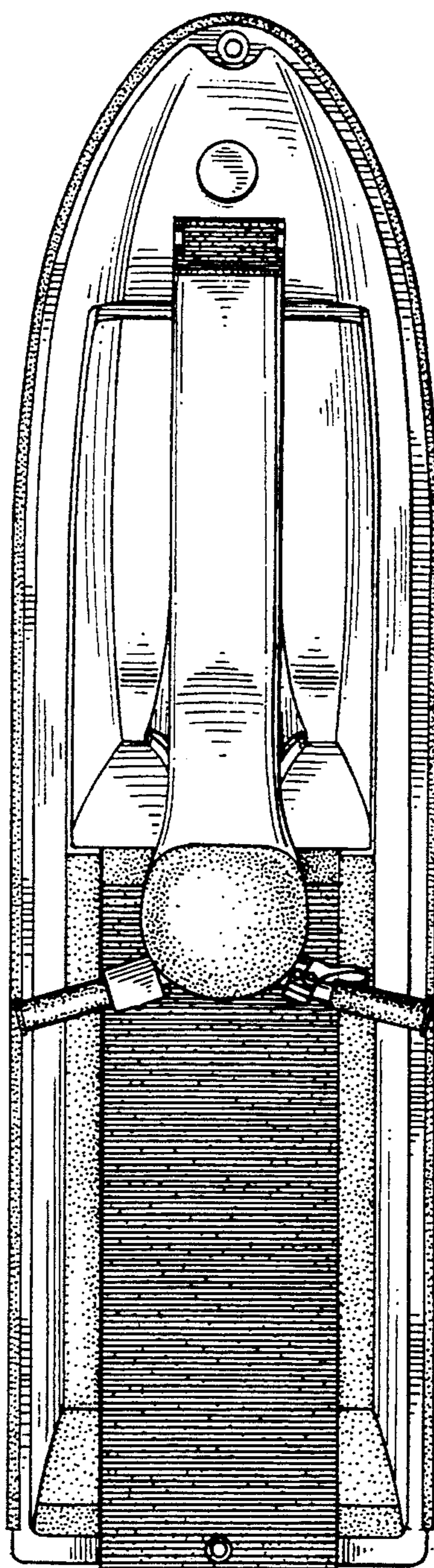


FIG. 2

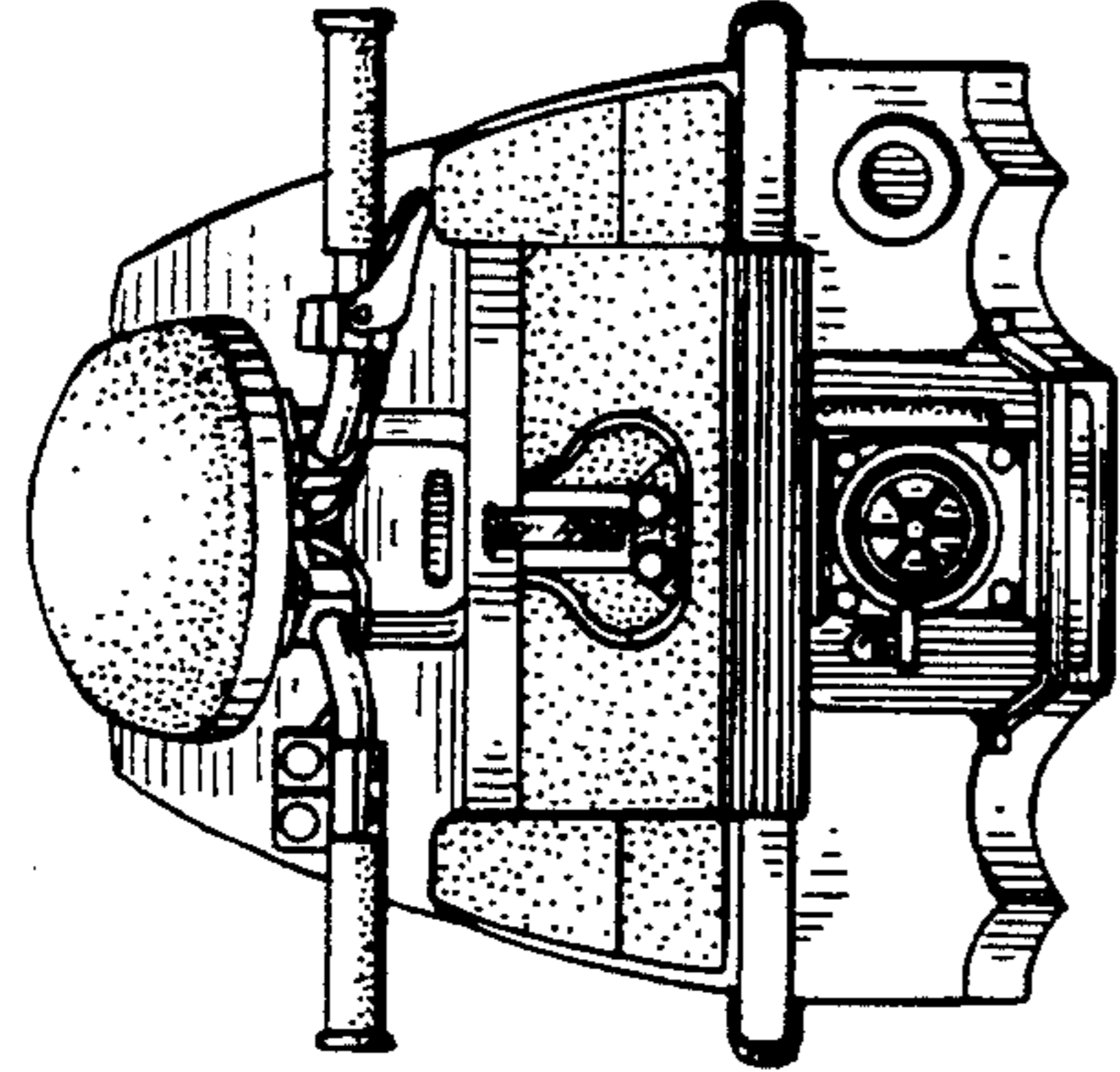


FIG. 3

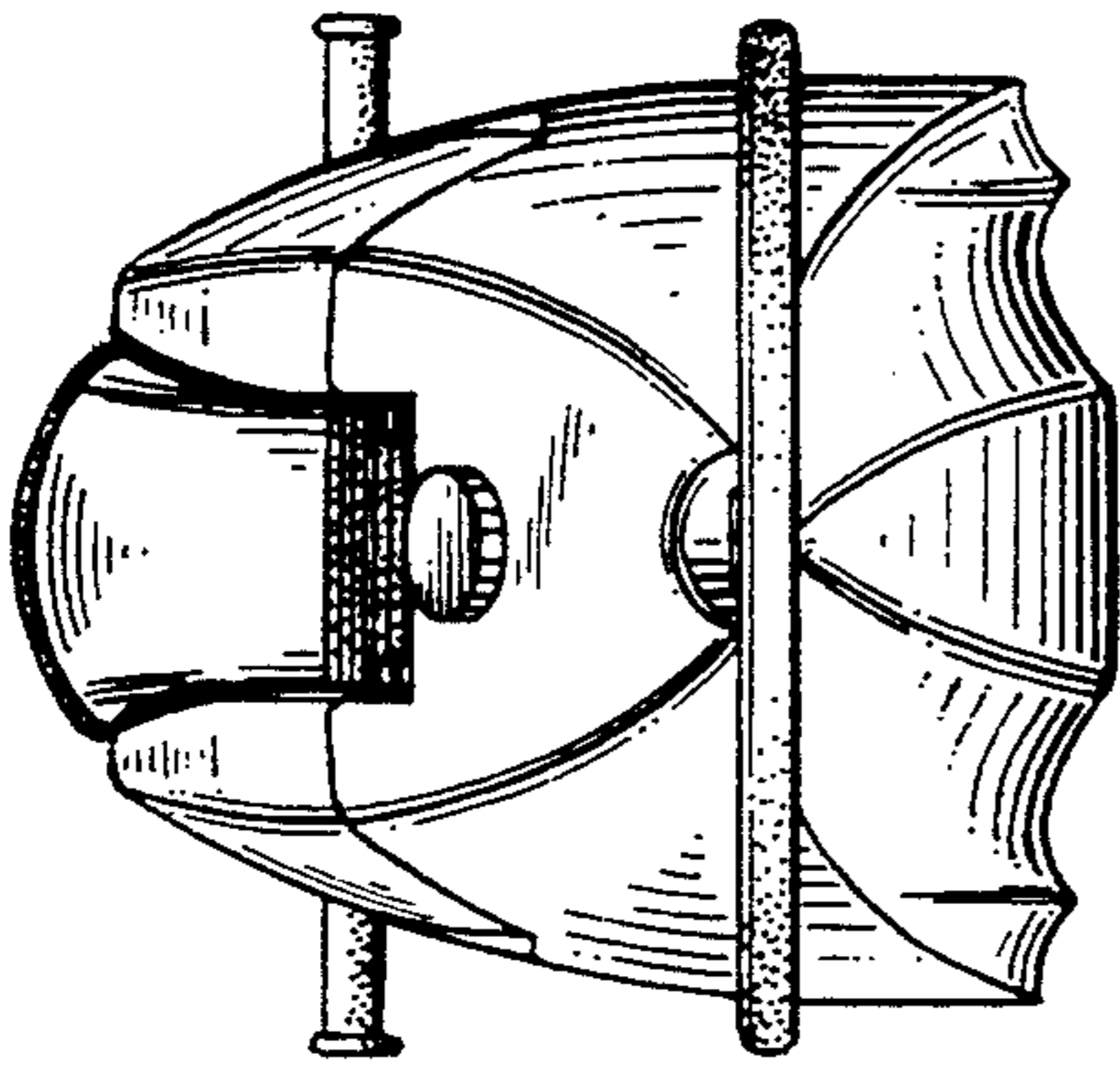


FIG. 4

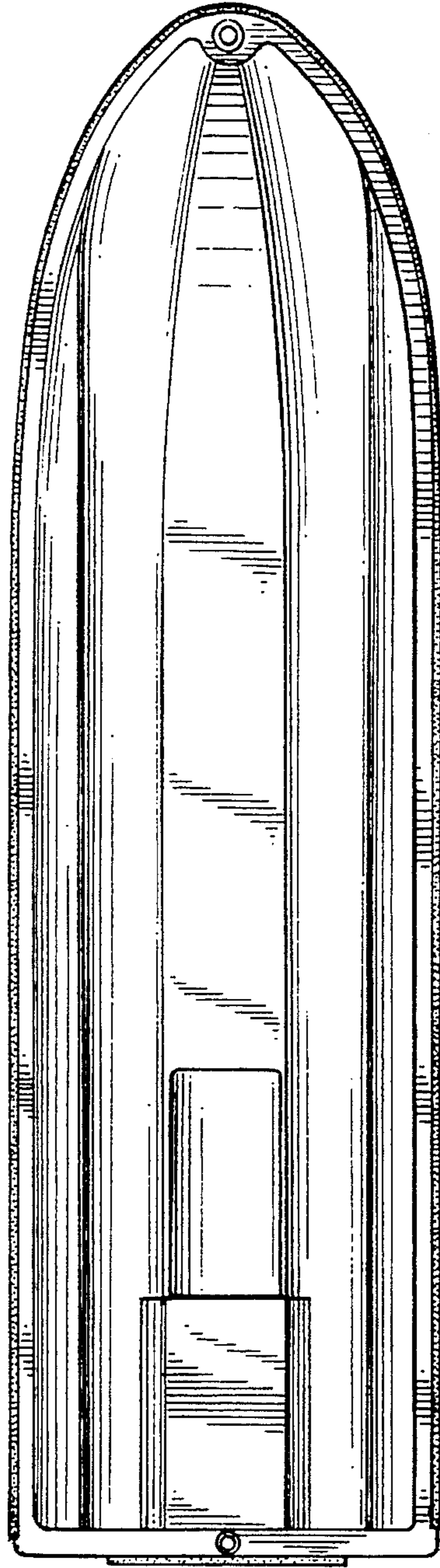


FIG. 5

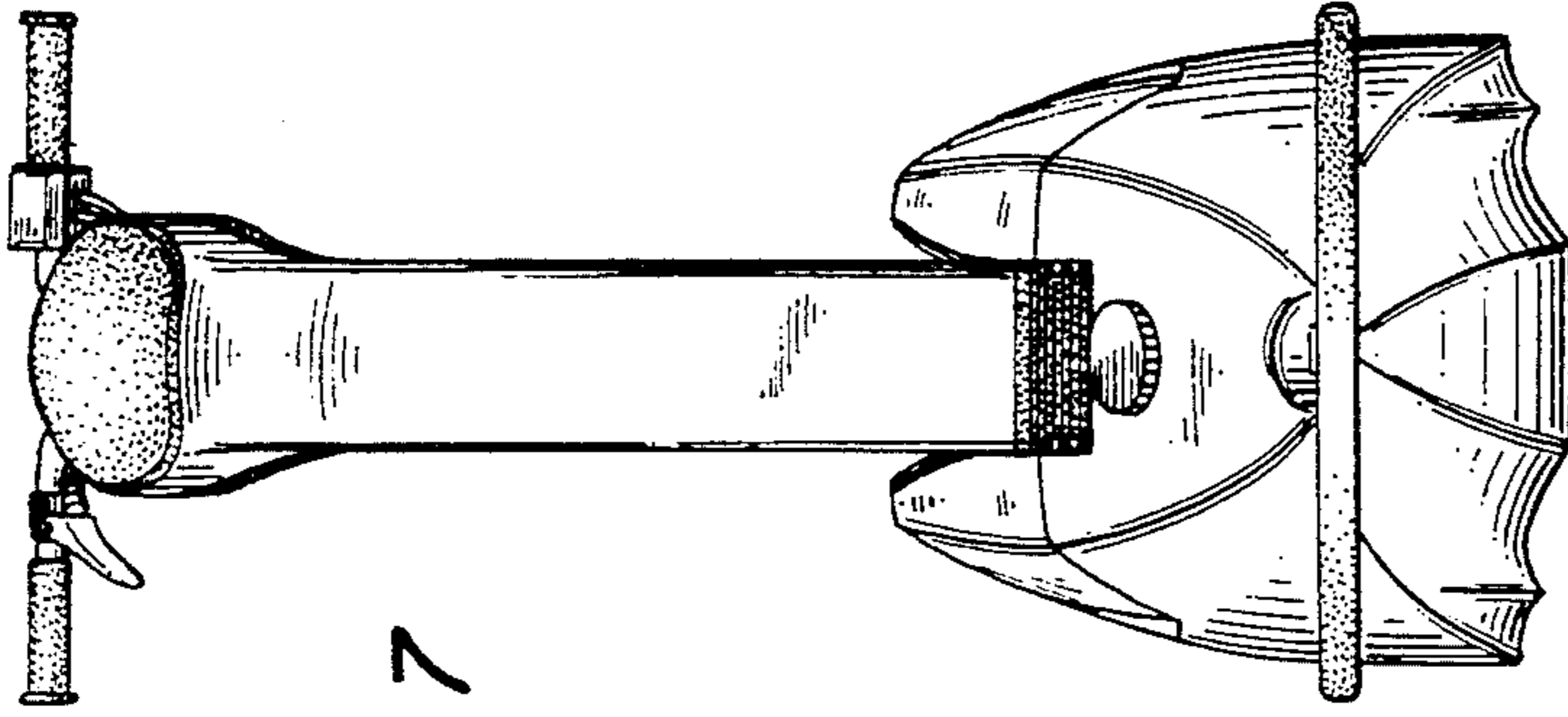


FIG. 7

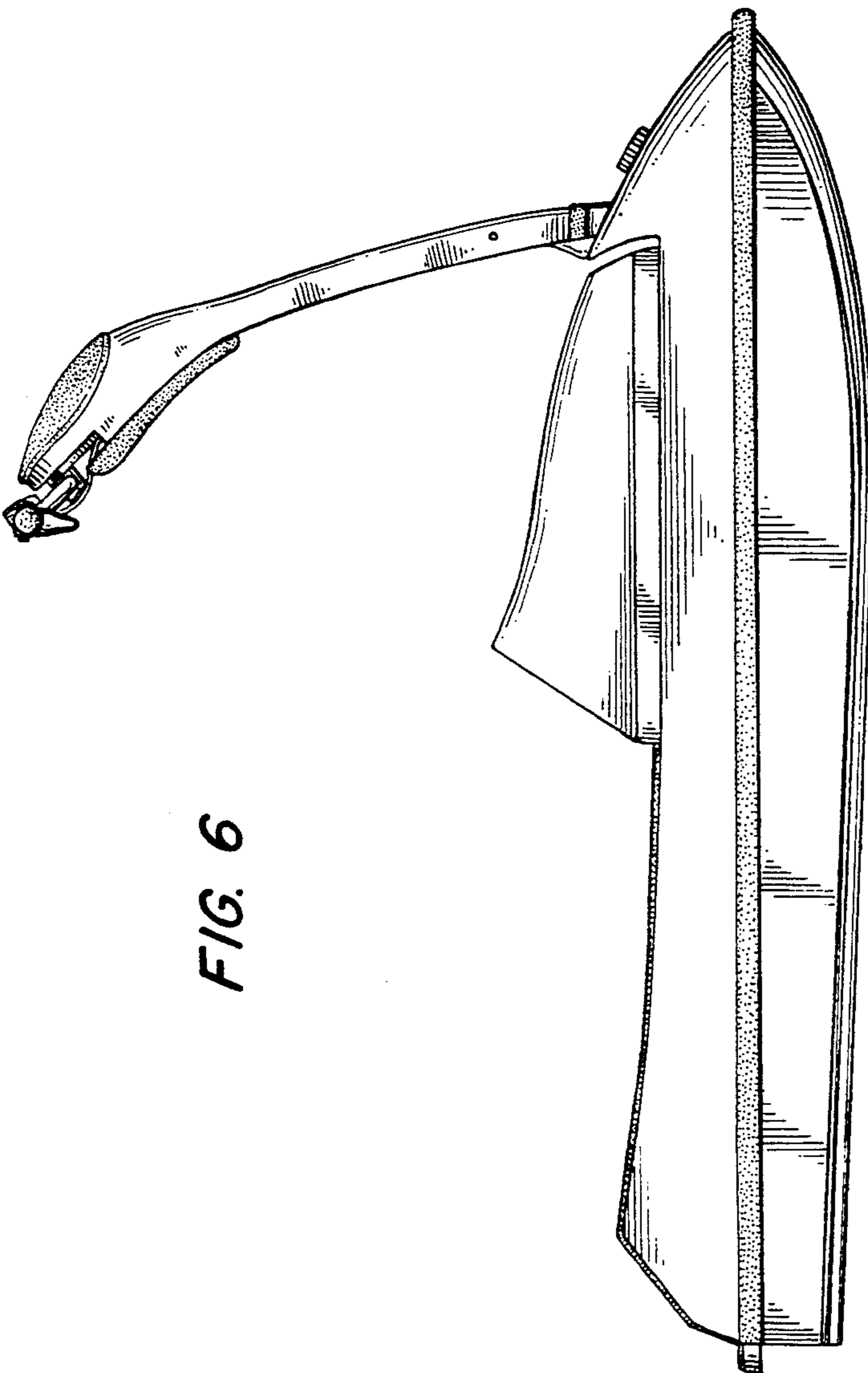


FIG. 6

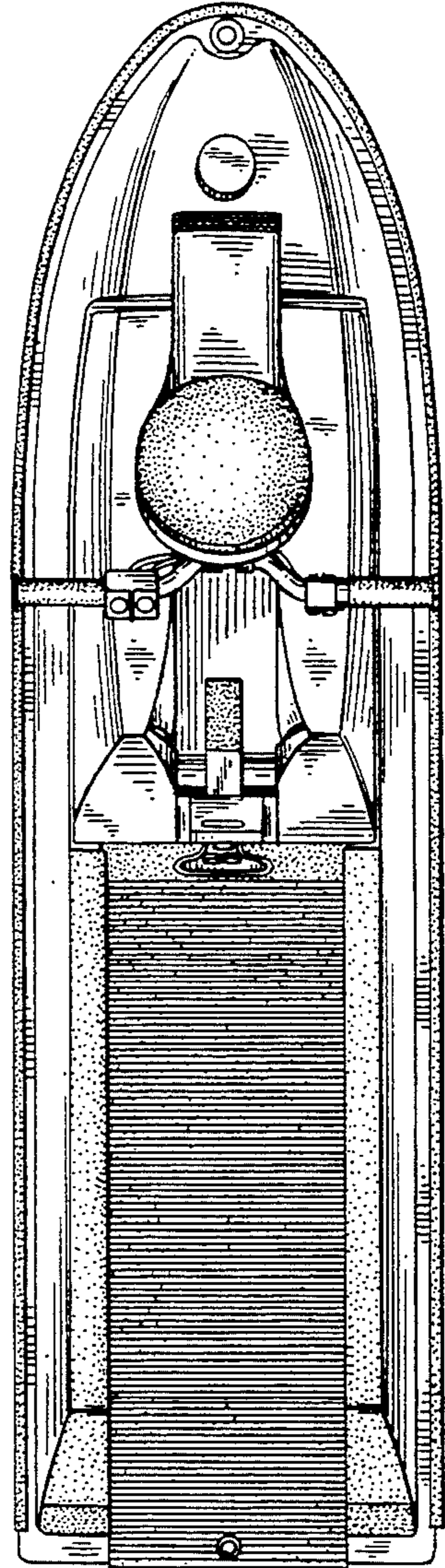


FIG. 8