



US00D350315S

# United States Patent [19]

[11] Patent Number: **Des. 350,315**

Rudd et al.

[45] Date of Patent: **\*\* Sep. 6, 1994**

## [54] COVER FOR A MASTER CYLINDER COVER

[75] Inventors: **Tom Rudd**, Hudson, Wis.; **Alwin J. Stahel**, St. Paul, Minn.

[73] Assignee: **KuryAkyn Holdings, Inc.**, Somerset, Wis.

[\*\*] Term: **14 Years**

[21] Appl. No.: **7,783**

[22] Filed: **May 3, 1993**

[52] U.S. Cl. .... **D12/126**

[58] Field of Search ..... 180/219; 280/288.4; D12/126, 114

### [56] References Cited

#### U.S. PATENT DOCUMENTS

D. 294,685	3/1988	Opitz	.....	D12/126
D. 294,921	3/1988	Nagy	.....	D12/126
D. 294,922	3/1988	Nagy	.....	D12/126
D. 295,154	4/1988	Opitz	.....	D12/126

## OTHER PUBLICATIONS

Drag Specialties Catalog, 1987, p. 416, the master cylinder covers for Honda motorcycle.

*Primary Examiner*—Wallace R. Burke

*Assistant Examiner*—M. Brown

*Attorney, Agent, or Firm*—Glen E. Schumann

## [57] CLAIM

The ornamental design for a cover for a master cylinder cover, as shown.

## DESCRIPTION

FIG. 1 is a front, top and side perspective view of a cover for a master cylinder cover showing our new design;

FIG. 2 is a top plan view thereof;

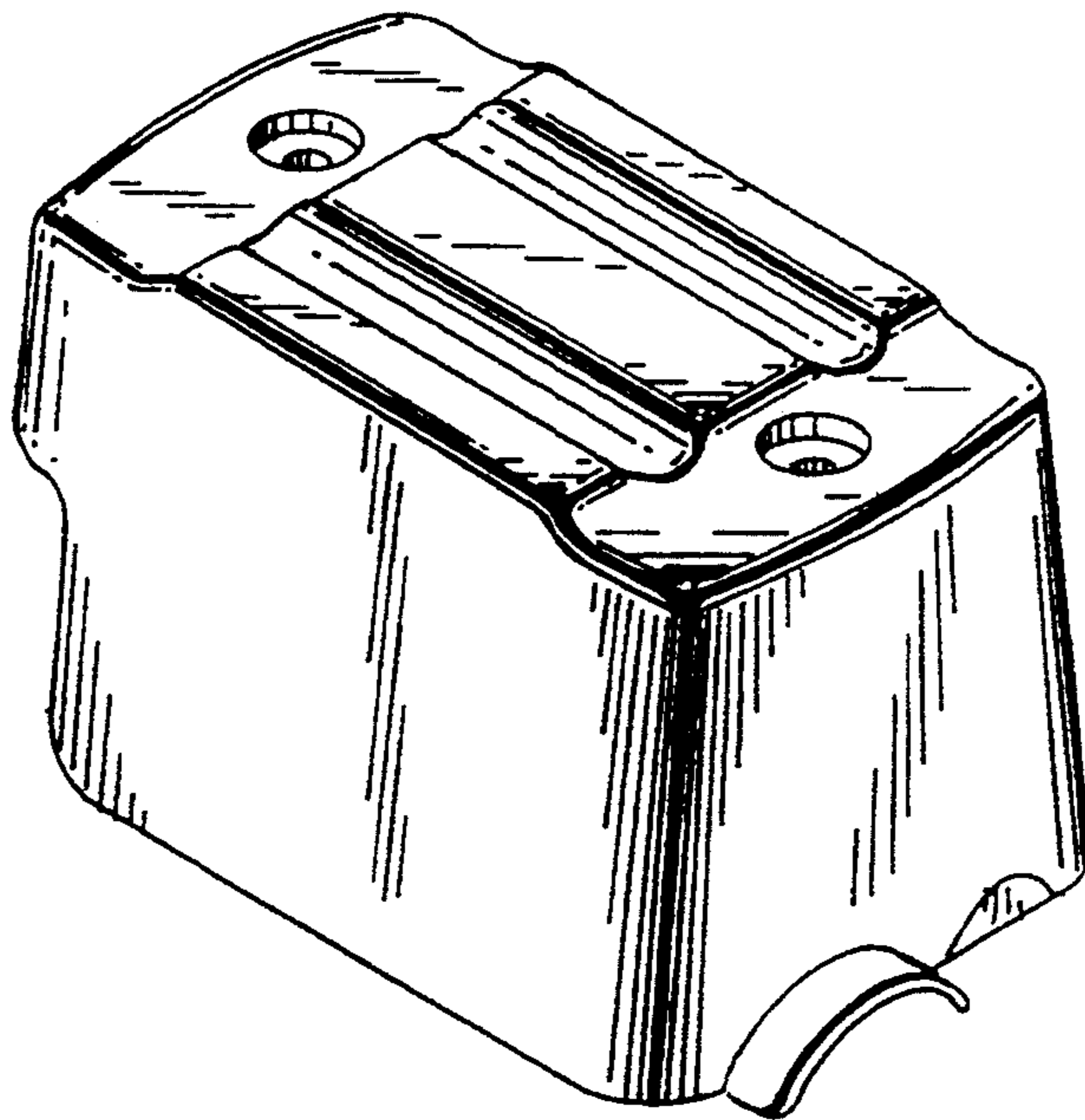
FIG. 3 is a side view thereof;

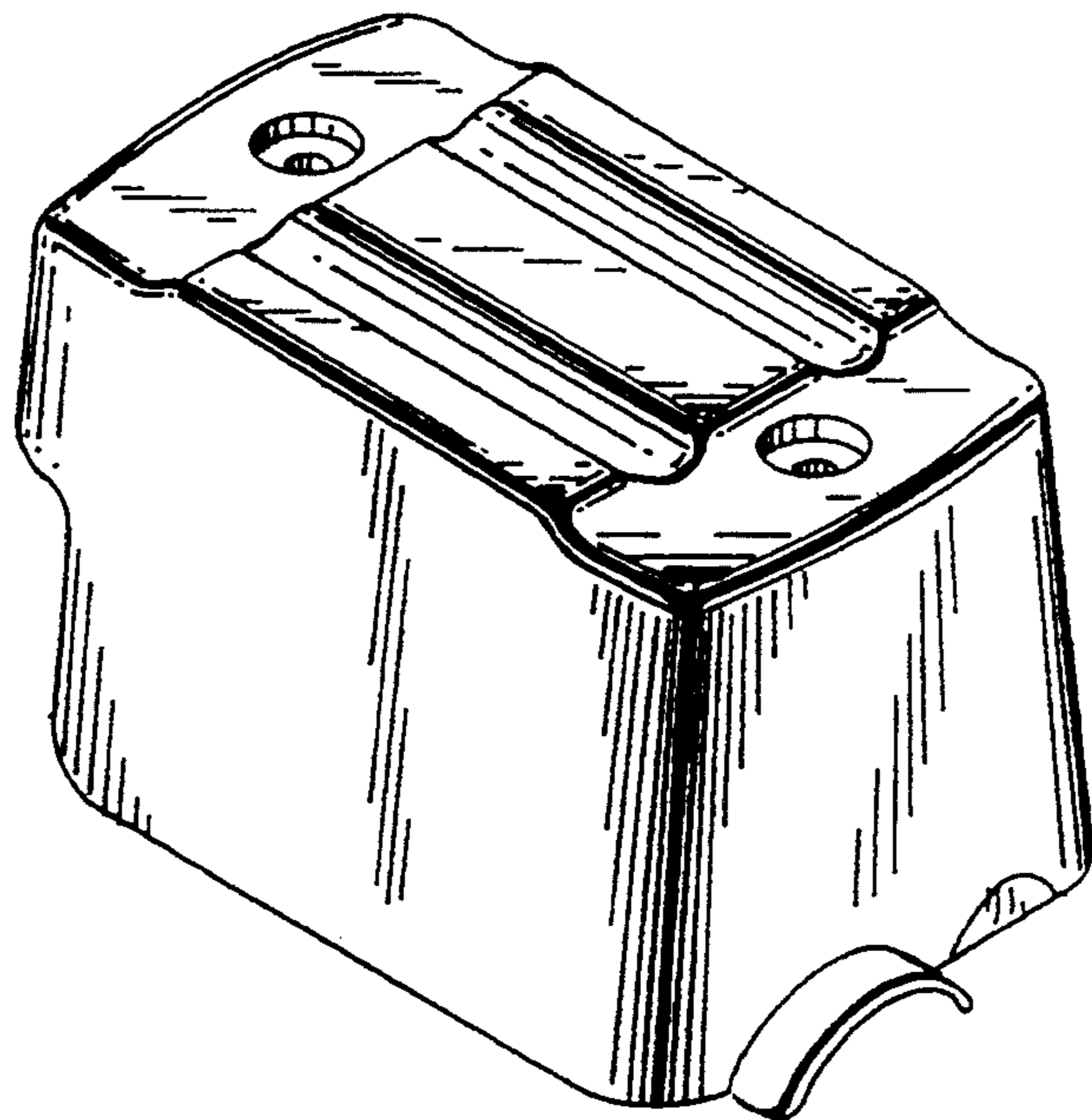
FIG. 4 is an end view thereof;

FIG. 5 is an end view thereof, opposite that of FIG. 4;

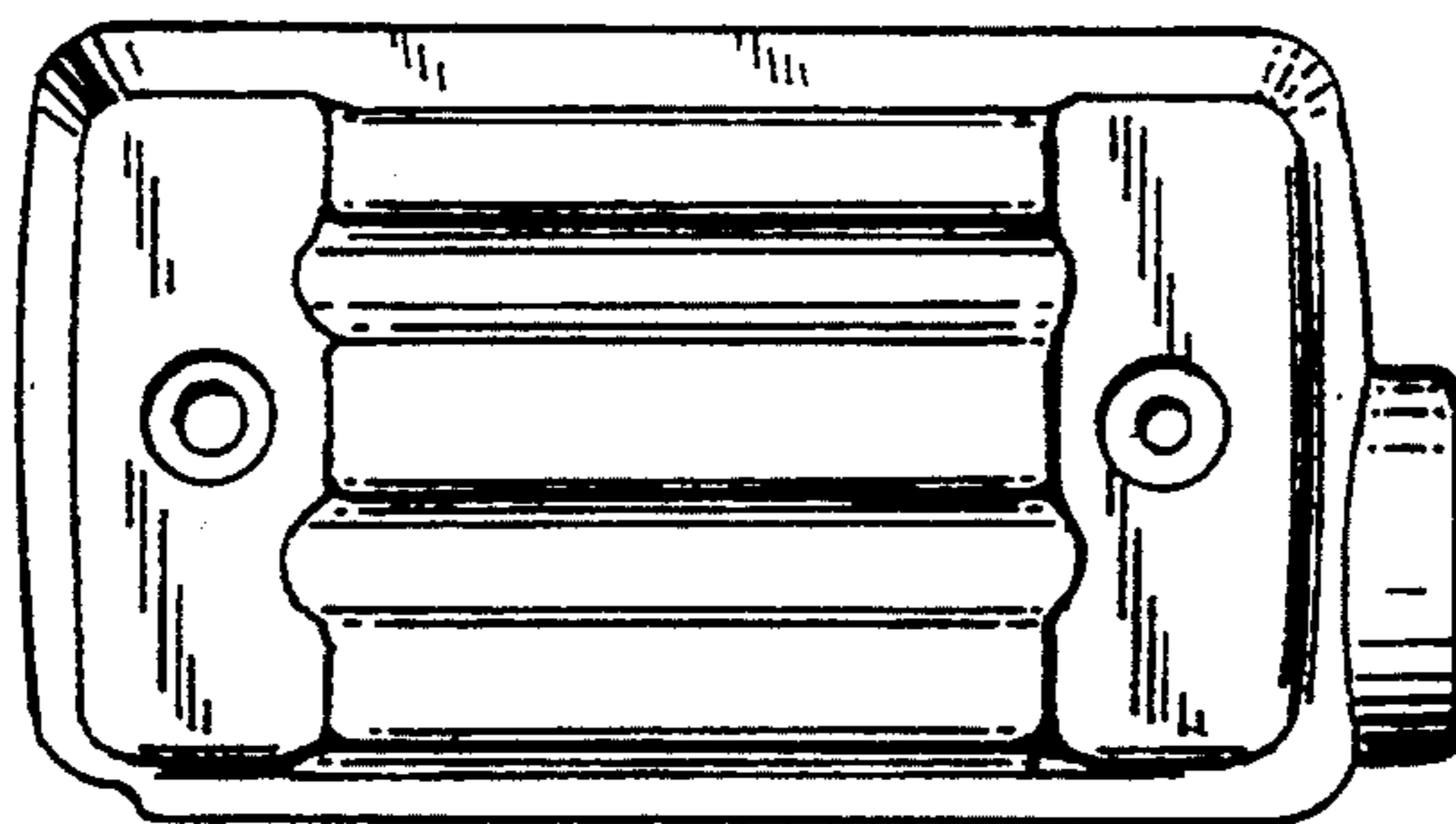
FIG. 6 is a side view thereof on a side opposite of FIG. 3; and,

FIG. 7 is a bottom plan view thereof.

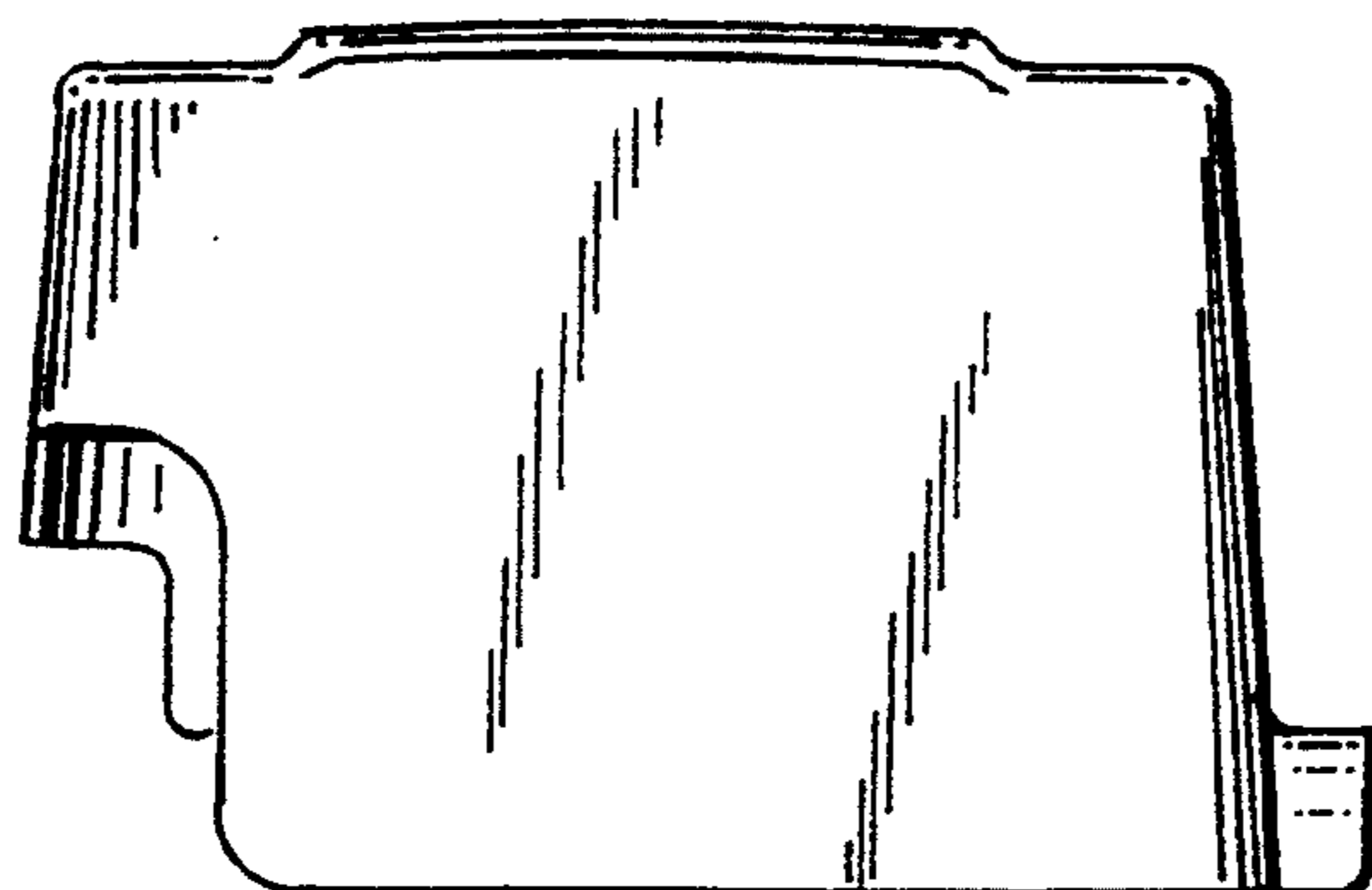




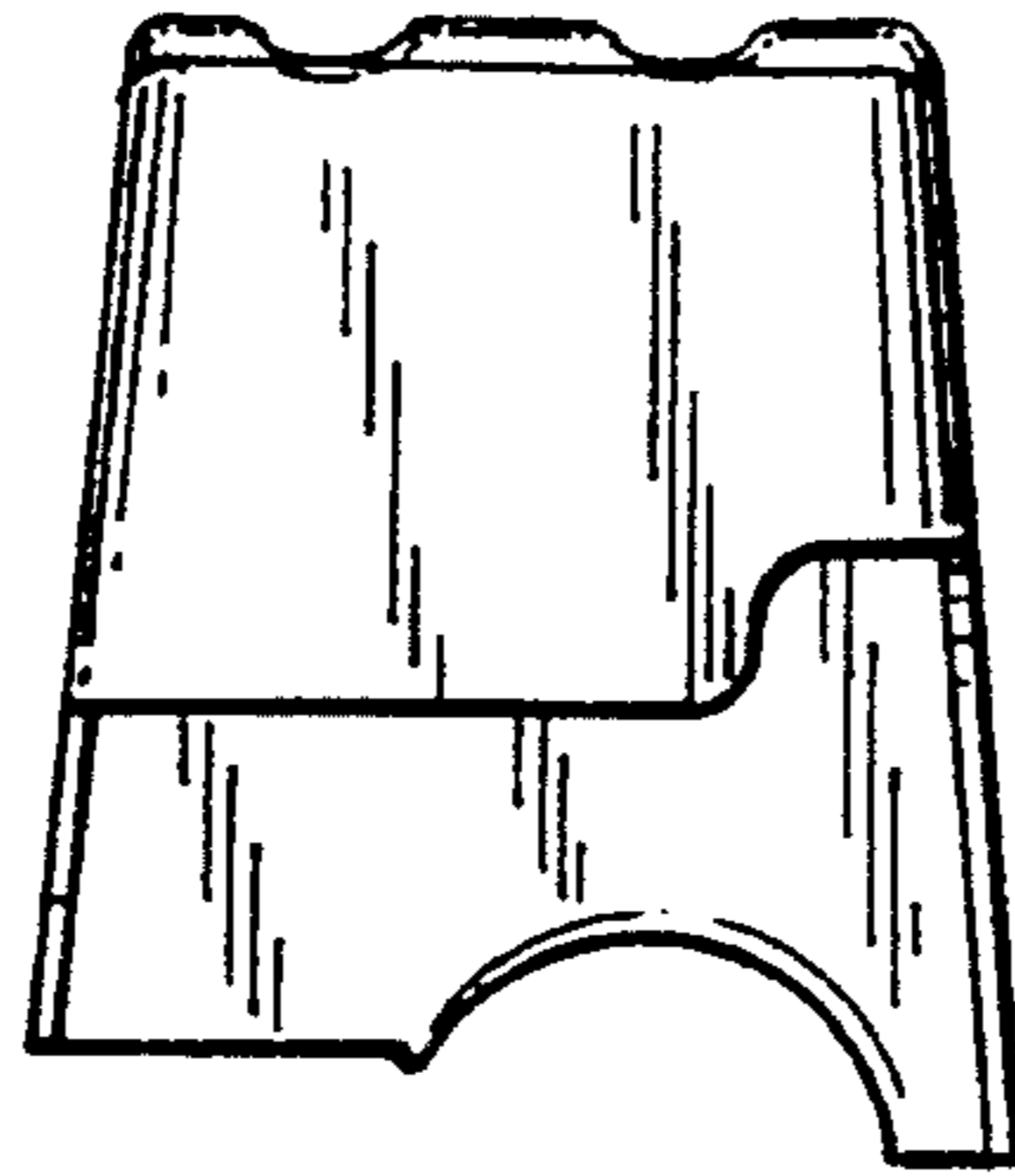
*Fig. 1*



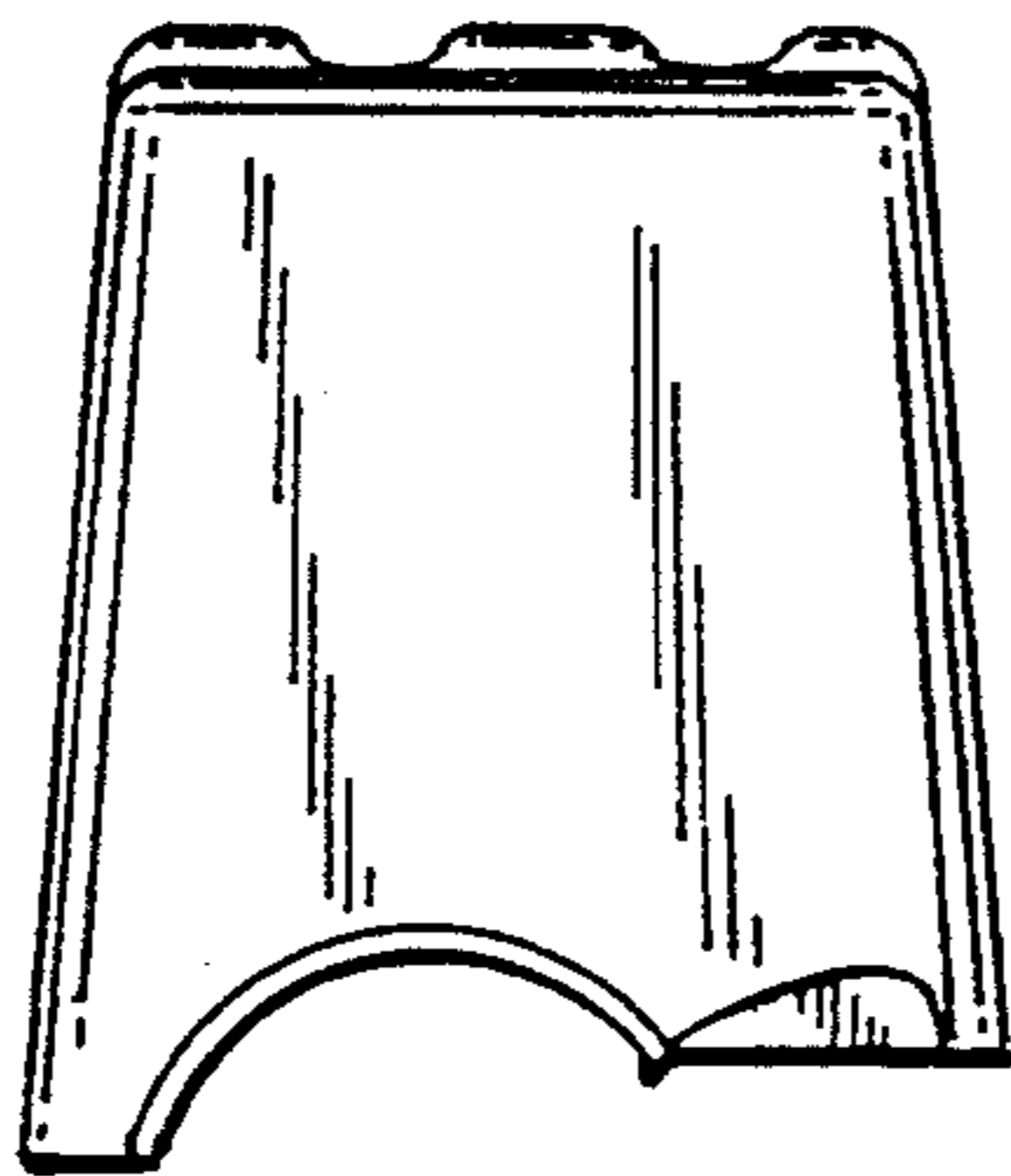
*Fig. 2*



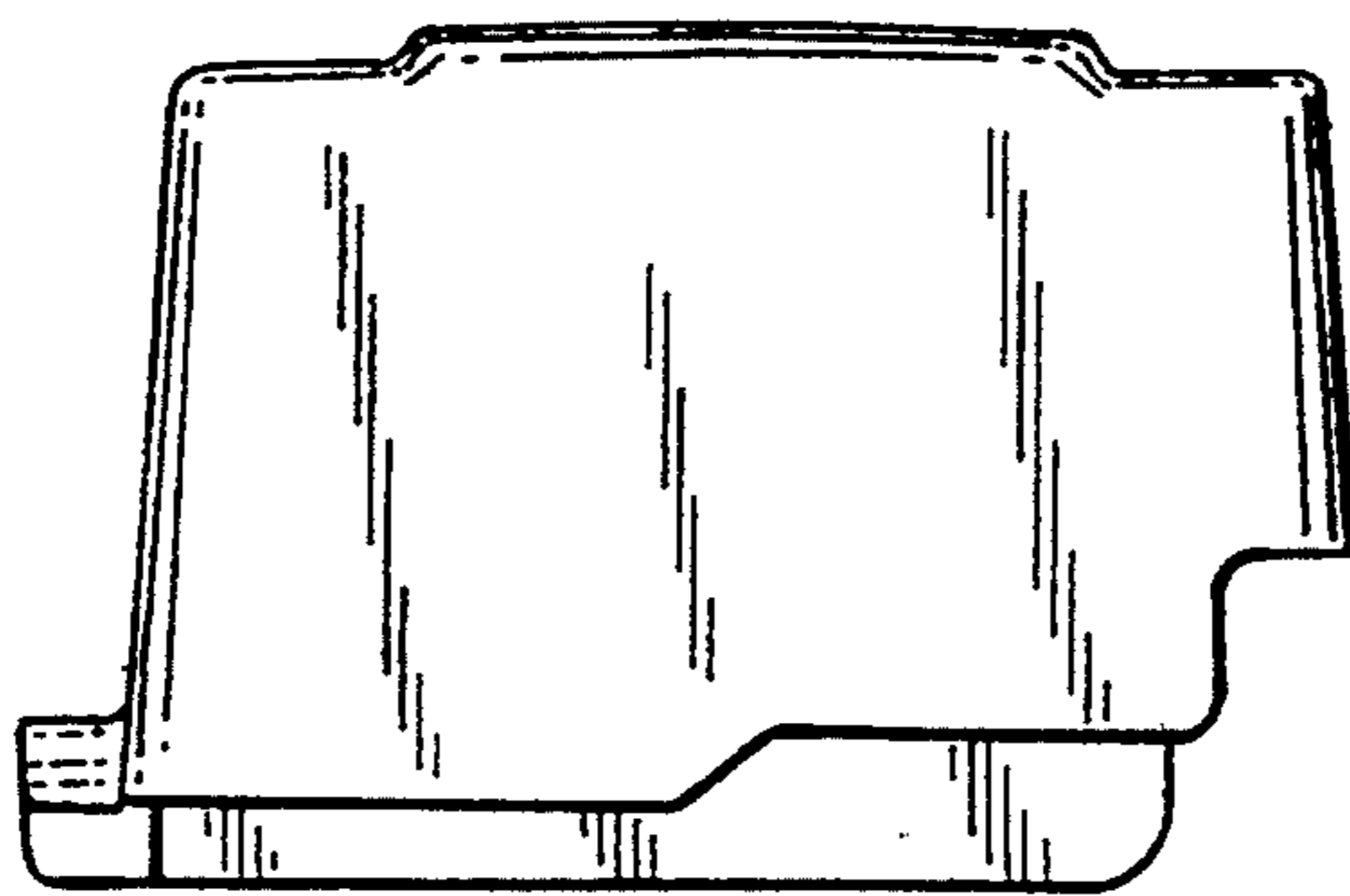
*Fig. 3*



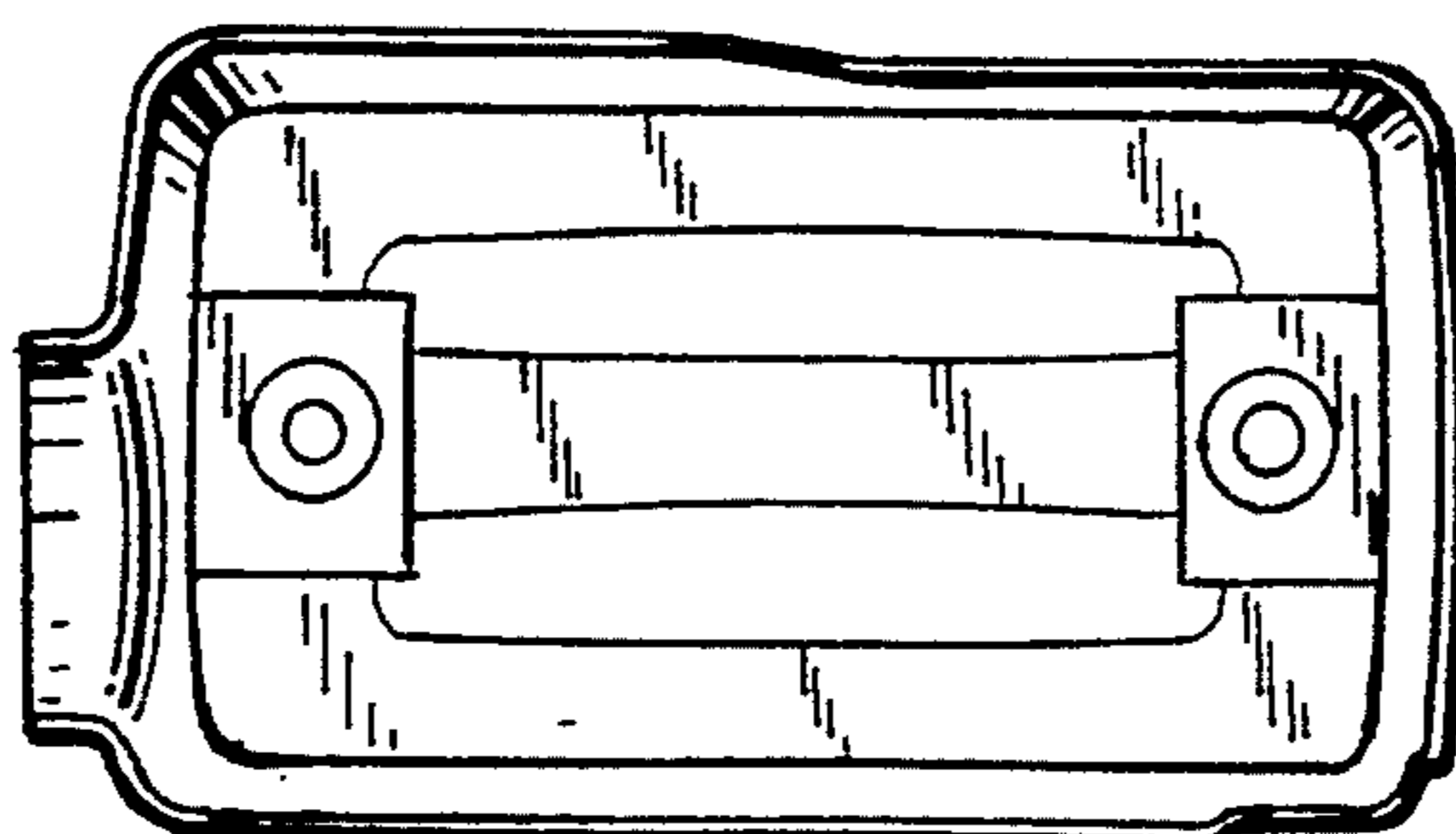
*Fig. 4*



*Fig. 5*



*Fig. 6*



*Fig. 7*