



US00D350309S

# United States Patent [19]

[11] Patent Number: Des. 350,309

Willis et al.

[45] Date of Patent: \*\* Sep. 6, 1994

[54] FLAG STAFF FINIAL

[75] Inventors: Tucker Willis; James Cinquemani, Jr., both of Dallas, Tex.

[73] Assignee: Chaenomeles, Inc., Dallas, Tex.

[\*\*] Term: 14 Years

[21] Appl. No.: 6,762

[22] Filed: Apr. 6, 1993

[52] U.S. Cl. .... D11/181; D8/376; D8/378; D11/184; D26/154; 428/28

[58] Field of Search ..... D8/373, 376, 378, 380; D6/580; 428/28; D11/181-184; D26/154

[56] **References Cited**

**U.S. PATENT DOCUMENTS**

D. 74,453	2/1928	Salterni	.....	D26/154
D. 78,894	7/1929	O'Donnell	.....	D8/378 X
D. 163,786	7/1951	Black	.....	D26/154
D. 230,949	3/1974	Levine	.....	D8/376 X
4,103,875	8/1978	Glass	.....	428/28 X

**OTHER PUBLICATIONS**

Eder Flag Mfg. Co., Inc., Oak Creek, Wis. Catalog, 1991 Display Flagpoles, p. 81.

Flagpole Components, Inc., Addison Tex., Catalog #2, 1992 Internal Halyard Components, p. 8.  
Dettra Flag Company Catalog, 1991 Champion and Bulldog, p. 5.  
Arkansas Flag & Banner, Inc., Little Rock Ark., Fab Art Catalog, (no date) Futura IV, p. 47.  
EMC A Div. of Eder Mfg. Corp. Custom Flags & Banners/Flagpoles & Accessories, 1991 Aluminum Ground Set, p. 64.  
Concord Industries, Inc., Addison, Tex., Flagpoles Catalog, 1992 Outrigger mount, p. 16.

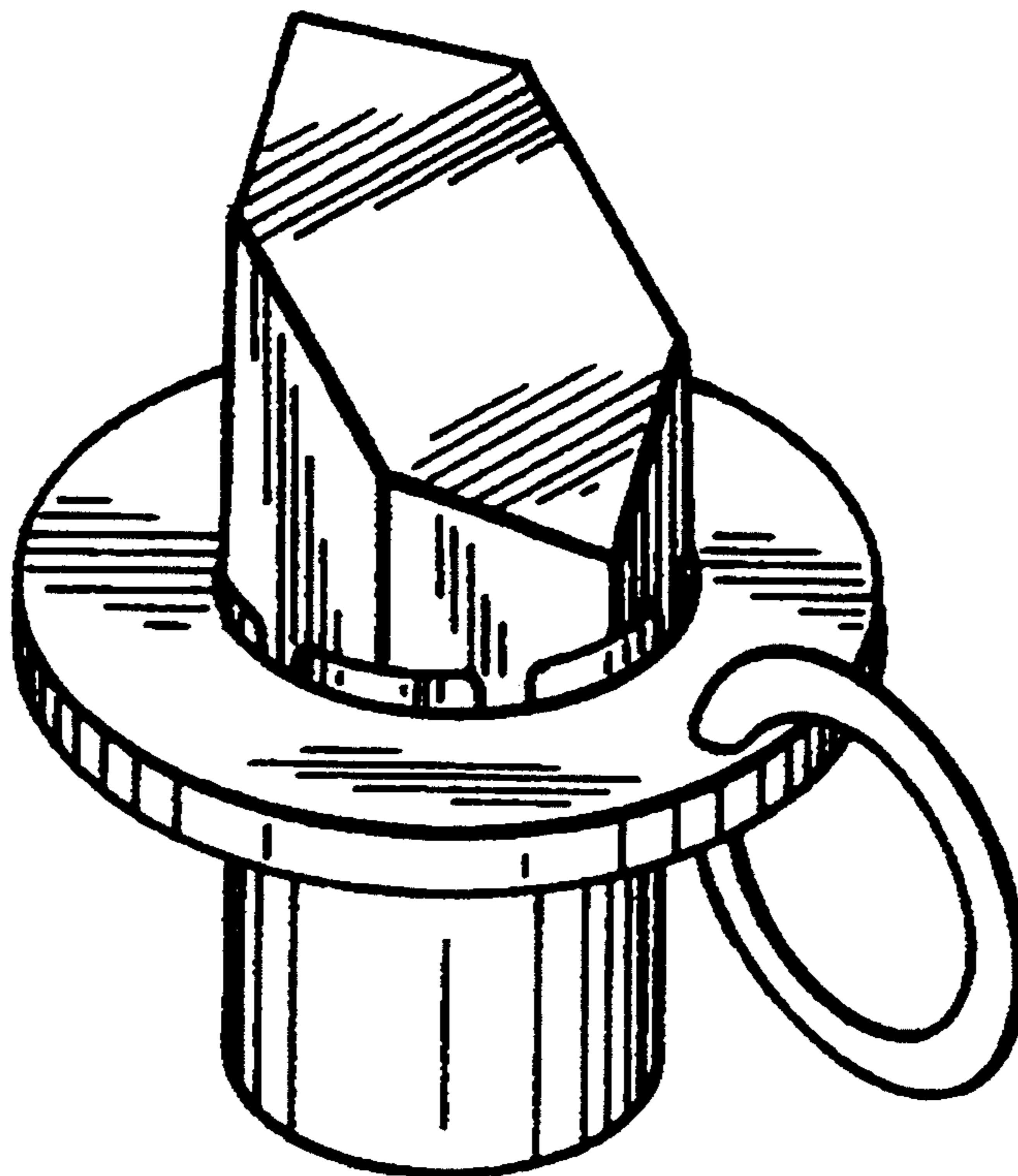
*Primary Examiner*—Bernard Ansher  
*Assistant Examiner*—Dominic Simone  
*Attorney, Agent, or Firm*—Johnson & Wortley

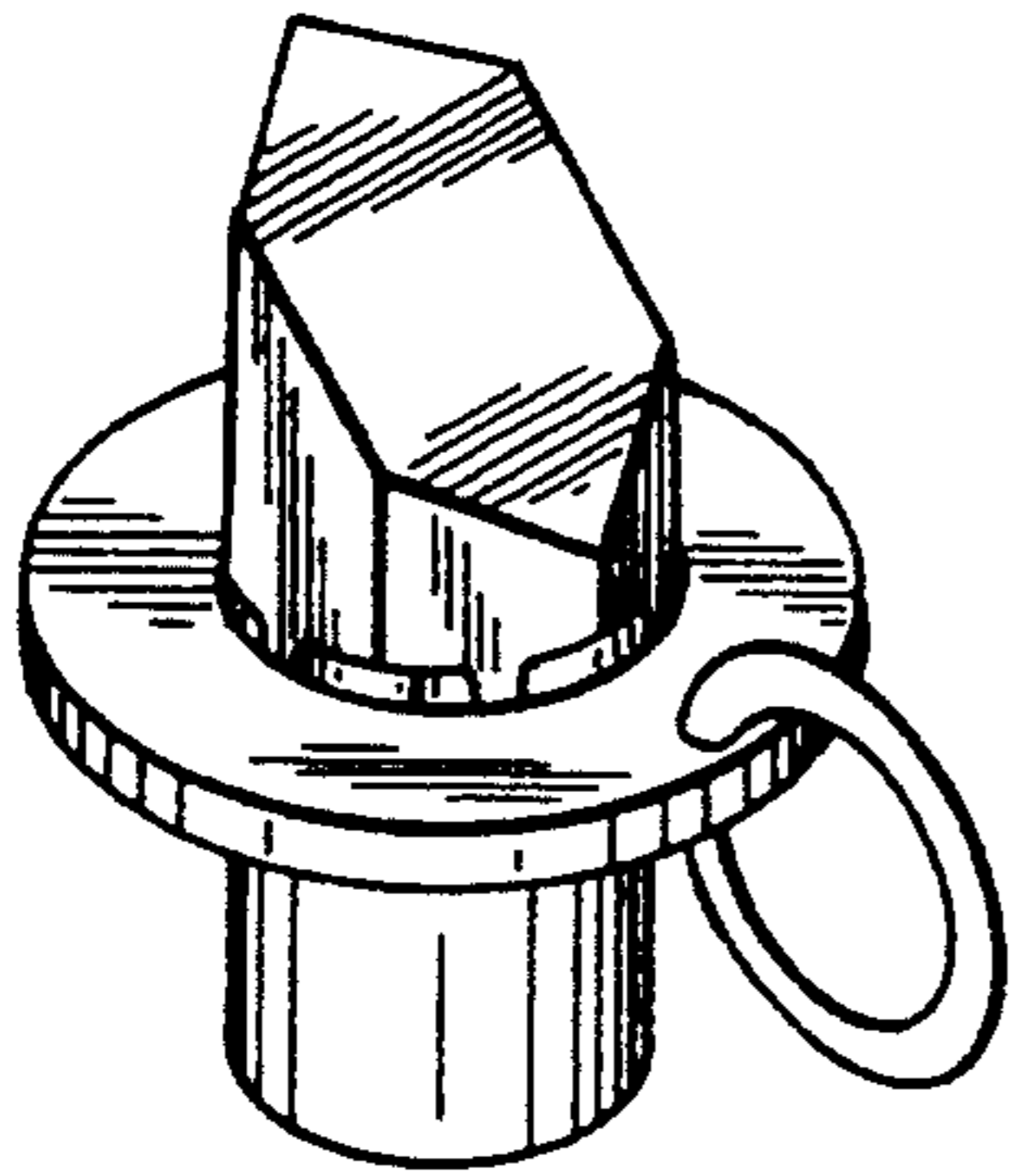
[57] **CLAIM**

The ornamental design for the flag staff finial, as shown and described.

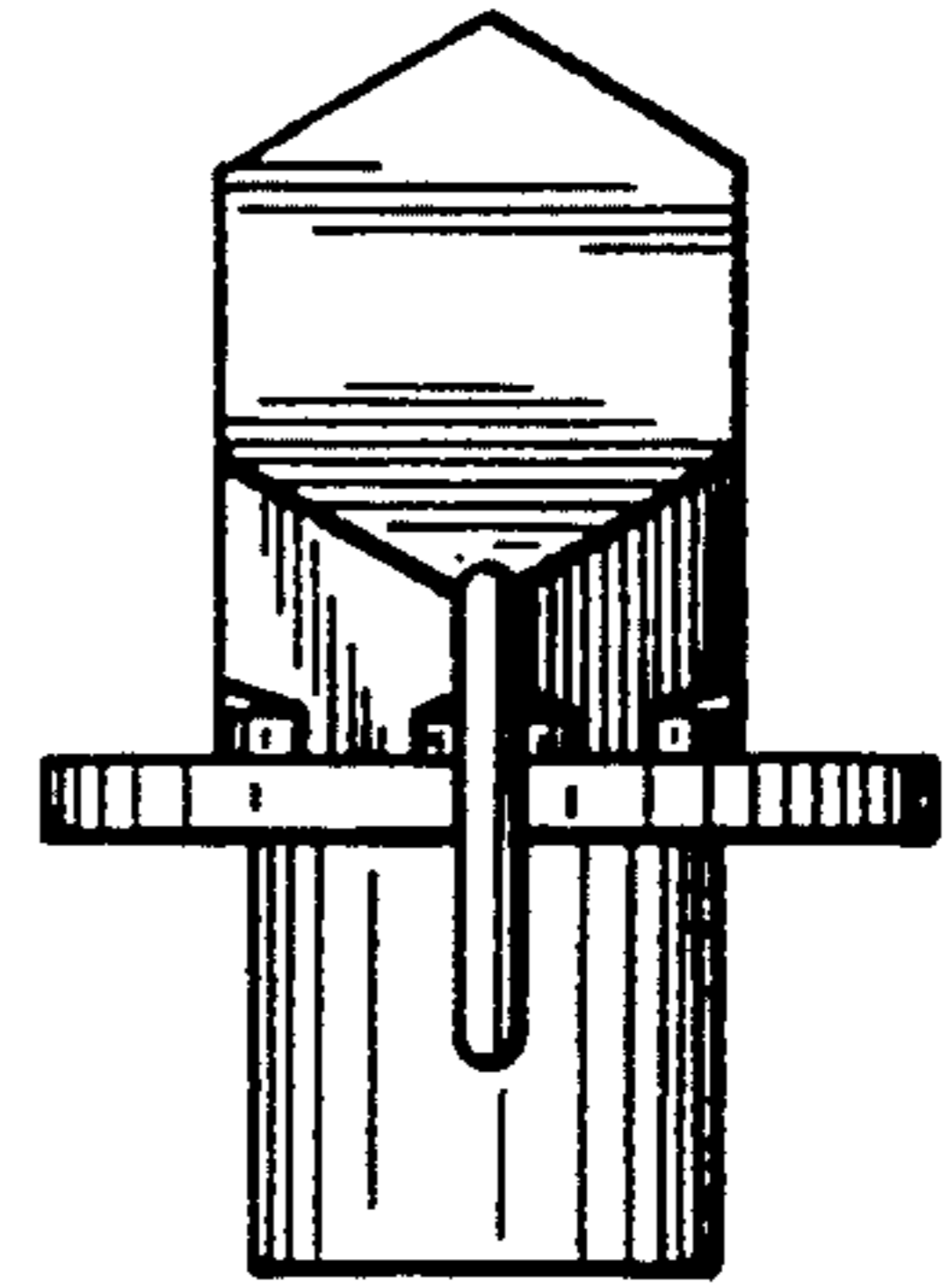
**DESCRIPTION**

FIG. 1 is a front perspective view of a flag staff finial showing our new design;  
FIG. 2 is a front elevational view thereof;  
FIG. 3 is a right side elevational view thereof; the left side being a mirror image;  
FIG. 4 is a rear elevational view thereof;  
FIG. 5 is a top plan view thereof; and,  
FIG. 6 is a bottom plan view thereof.

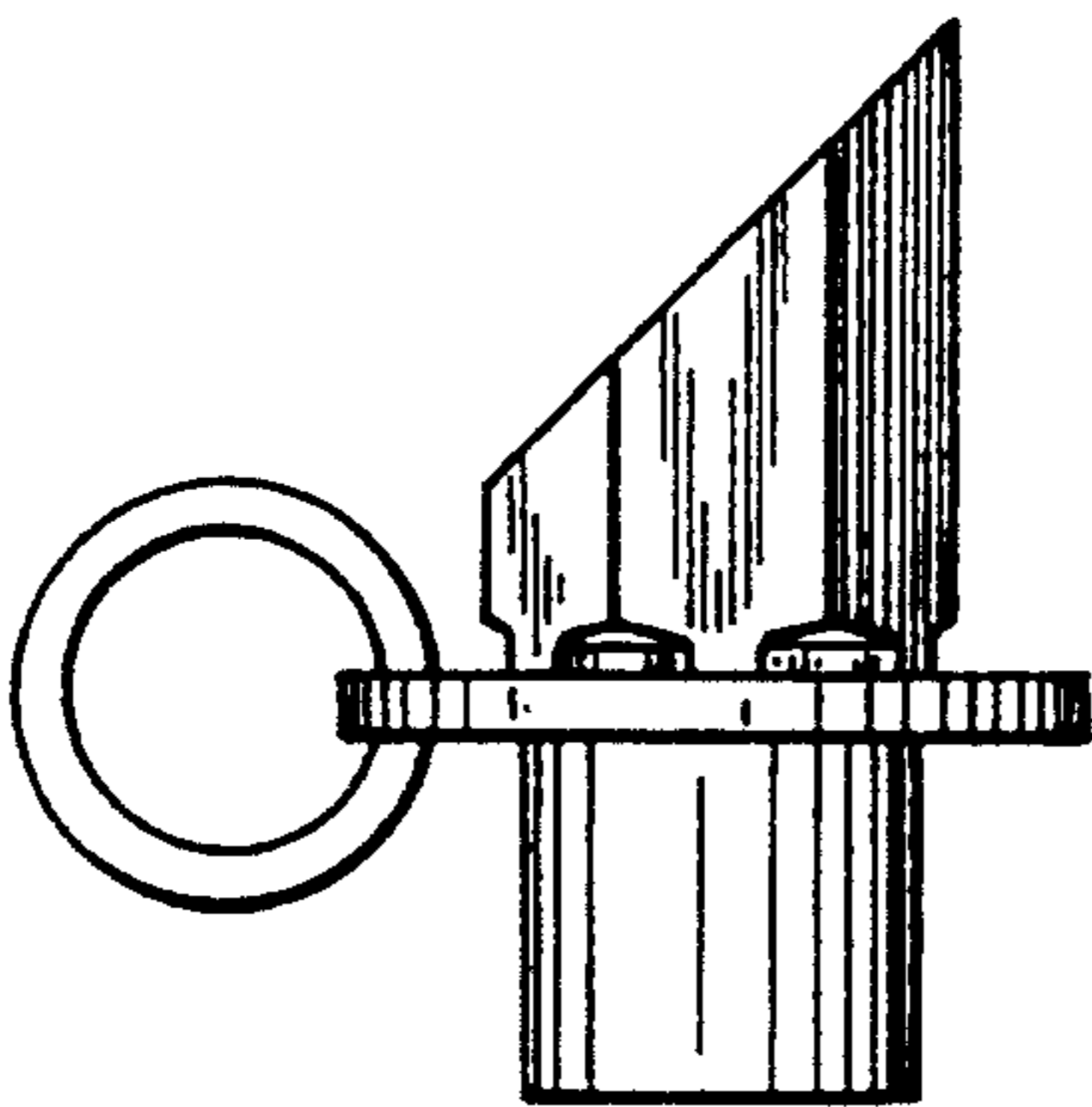




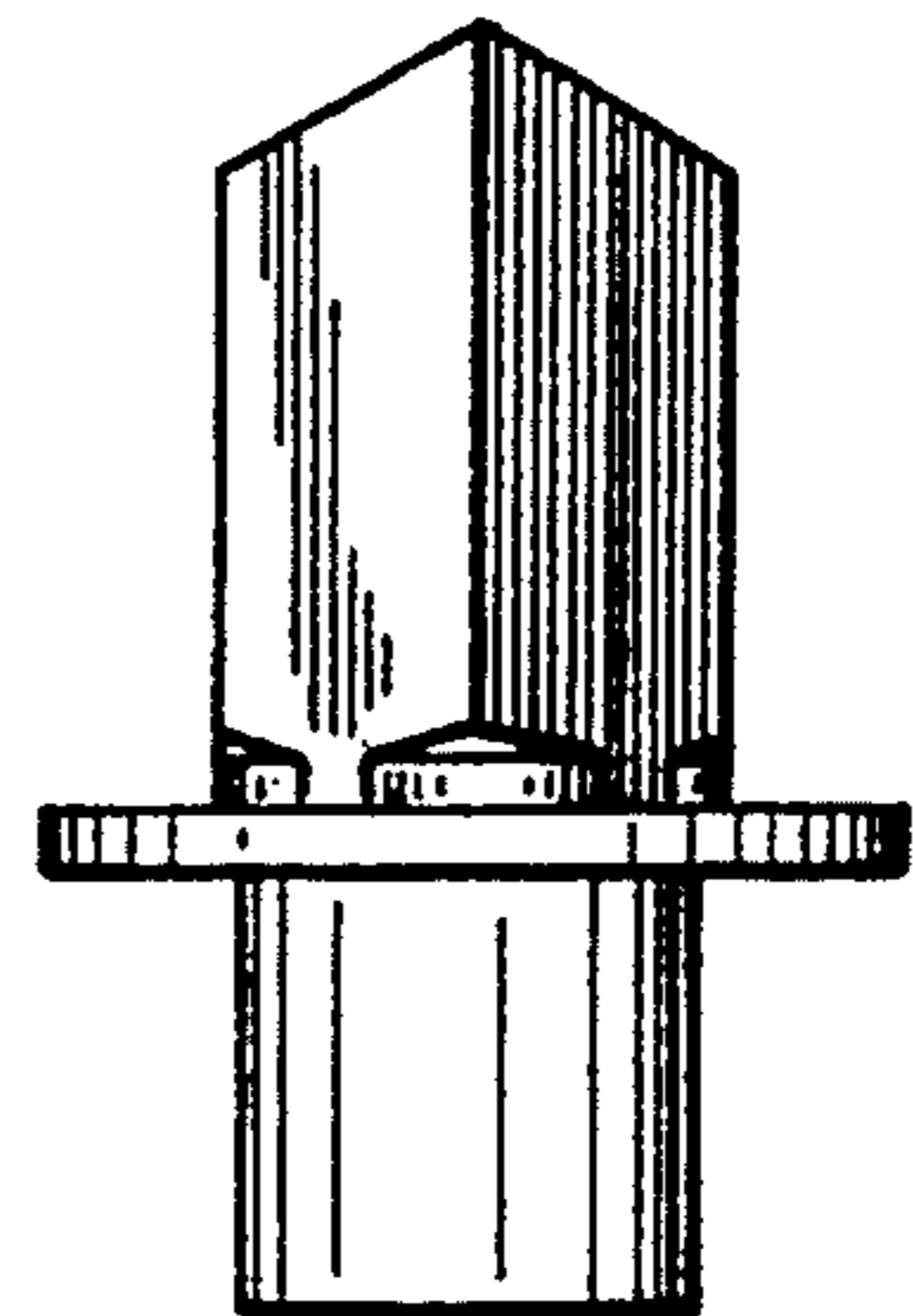
**FIG. 1**



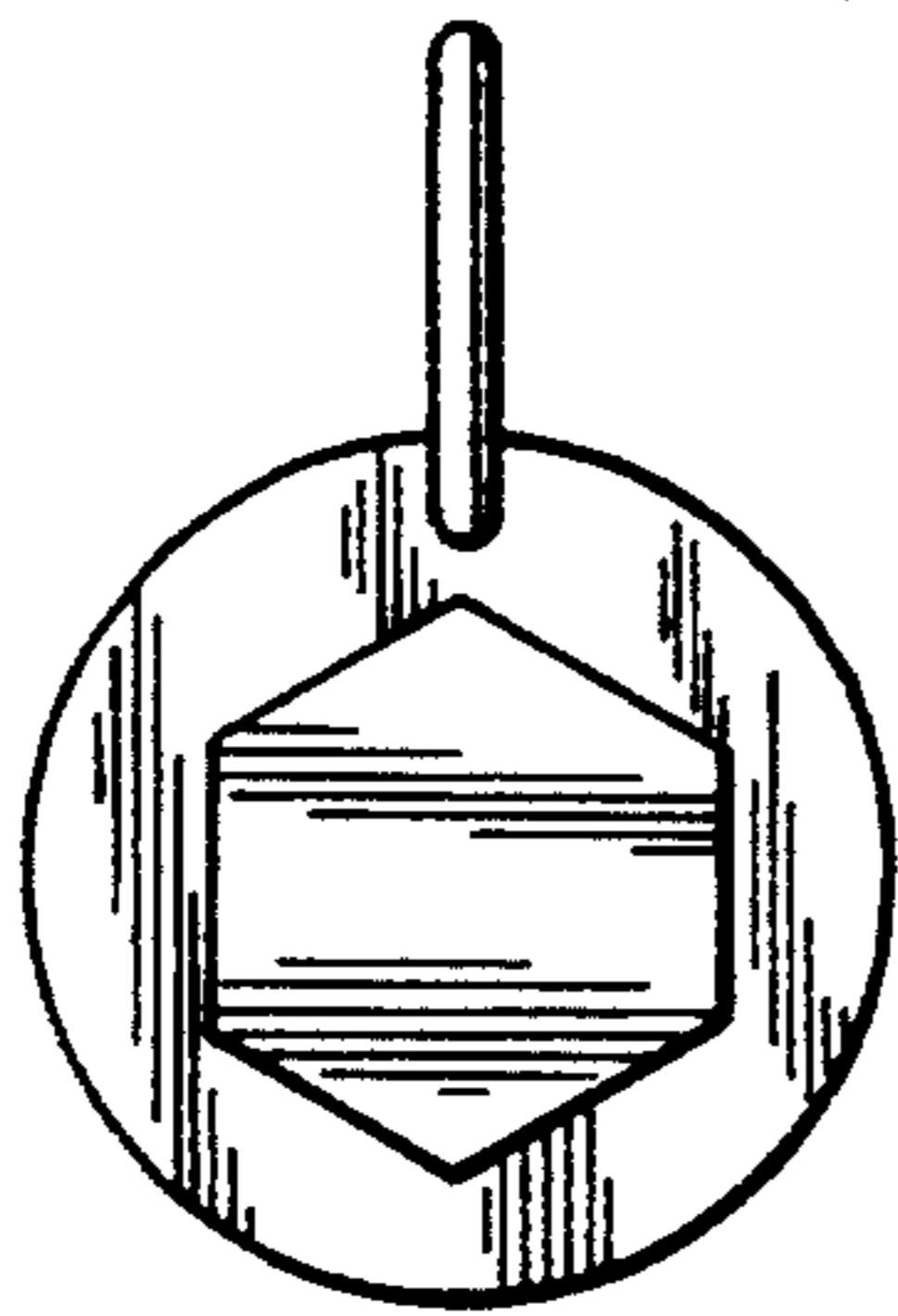
**FIG. 2**



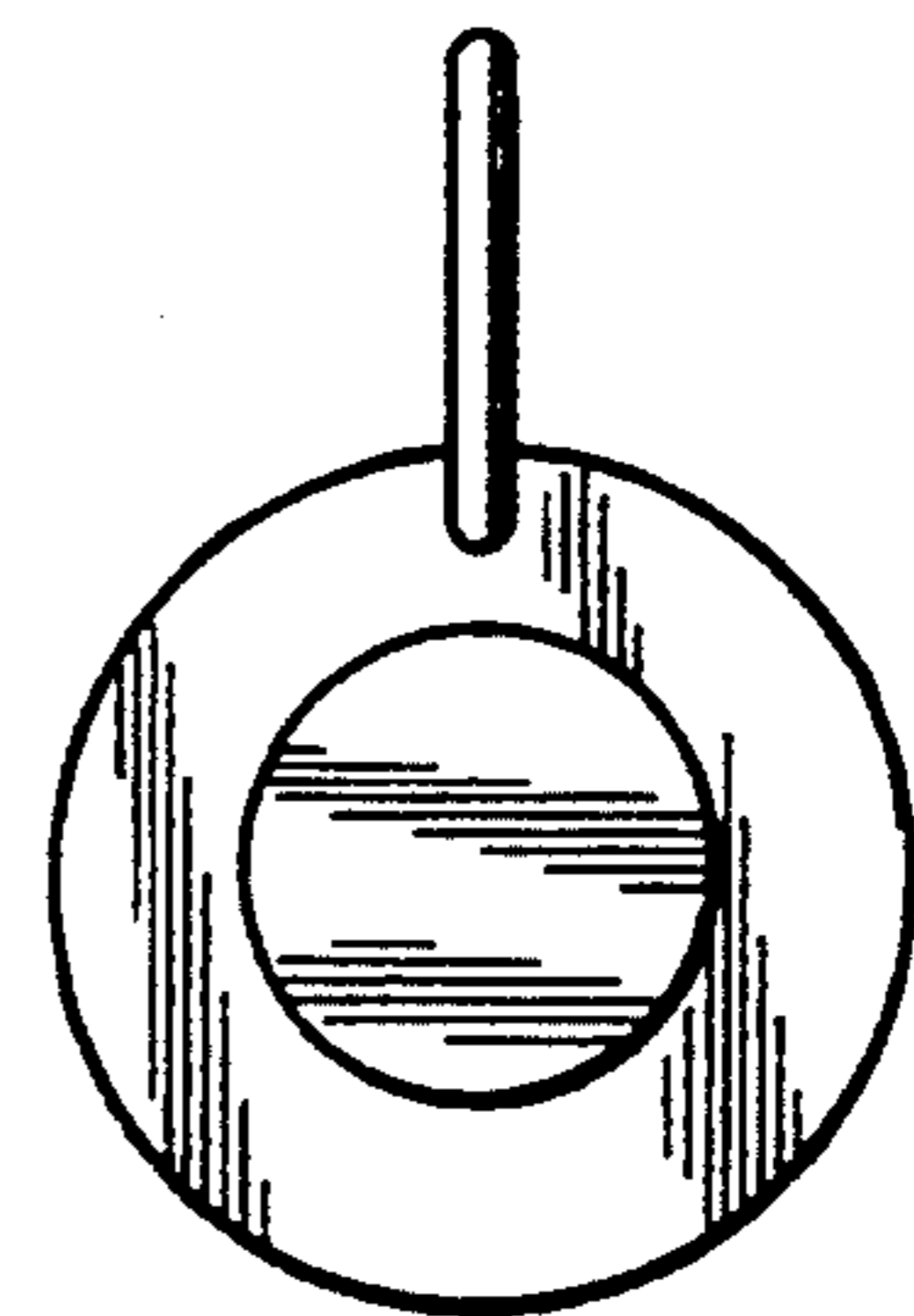
**FIG. 3**



**FIG. 4**



**FIG. 5**



**FIG. 6**