



US00D350301S

United States Patent [19]

[11] Patent Number: **Des. 350,301**

McInally et al.

[45] Date of Patent: **** Sep. 6, 1994**

[54] **FREIGHT LOCATOR CONE**

[75] Inventors: **Patrick McInally**, Corona Del Mar;
Randall M. Gardner, Huntington Beach, both of Calif.

[73] Assignee: **Freight Flag, inc.**, Huntington Beach, Calif.

[**] Term: **14 Years**

[21] Appl. No.: **13,704**

[22] Filed: **Sep. 30, 1993**

[52] U.S. Cl. **D10/109**

[58] Field of Search 40/606, 607, 608;
116/28 R, 116 C, 116 P; D10/104, 109, 110,
111; D20/29, 35

[56] **References Cited**

U.S. PATENT DOCUMENTS

D. 322,413 12/1991 Castillo D10/110
4,374,376 2/1983 Pillifant, Jr. 116/28 R
5,225,254 7/1993 Foulke 116/63 C

FOREIGN PATENT DOCUMENTS

0218771 4/1987 United Kingdom 116/63 C

Primary Examiner—Wallace R. Burke
Assistant Examiner—M. Jackson
Attorney, Agent, or Firm—Stetina and Brunda

[57] **CLAIM**

The design of a freight locator cone, as shown and described.

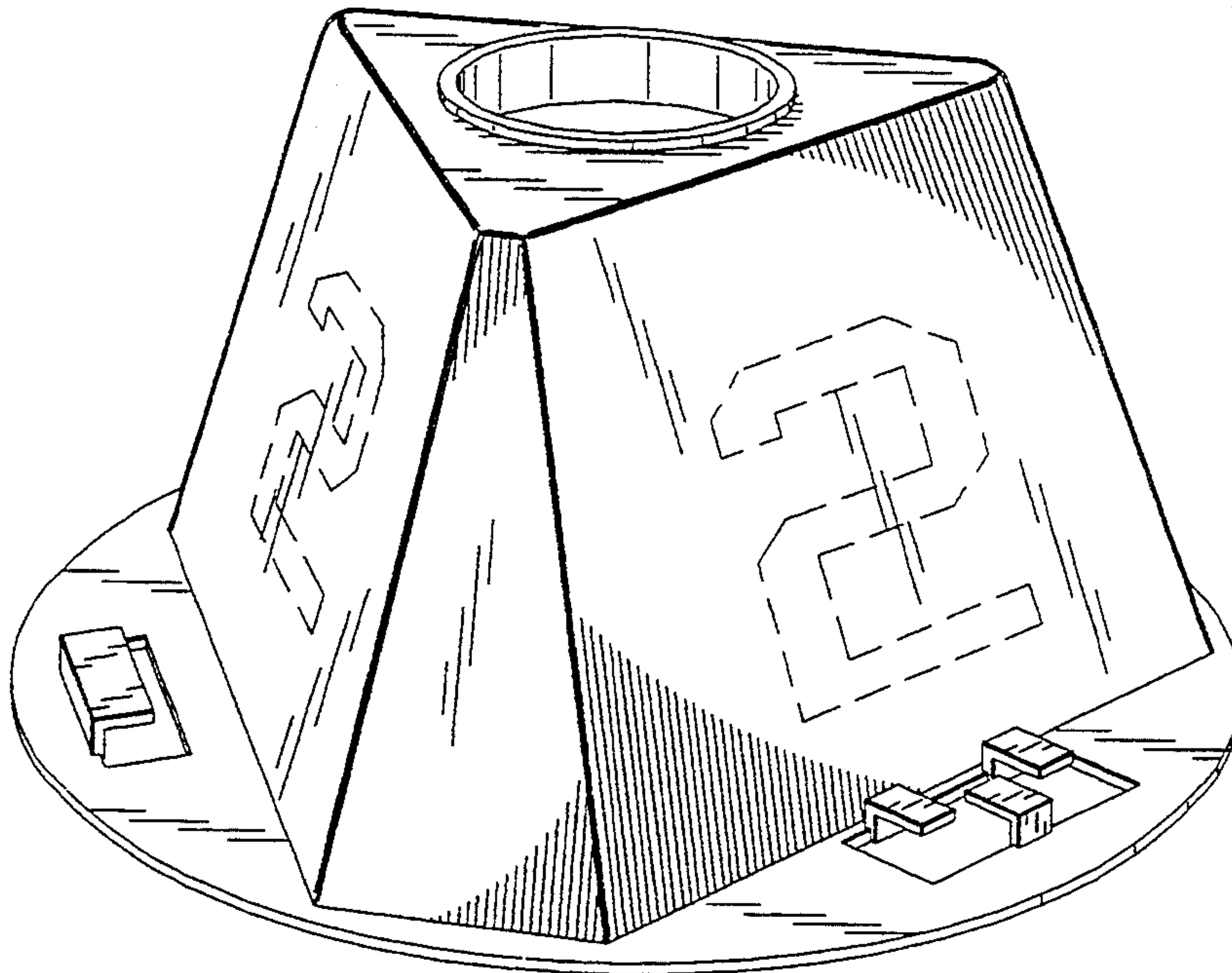
DESCRIPTION

FIG. 1 is a perspective view of a freight locator cone of the present invention with the broken line showing for illustrative purposes only and forming no part of the claimed design;

FIG. 2 is a top plan view of a freight locator cone of the present invention;

FIG. 3 is a side elevational view of a locator cone of the present invention; and,

FIG. 4 is a bottom plan view of a freight locator cone of the present invention.



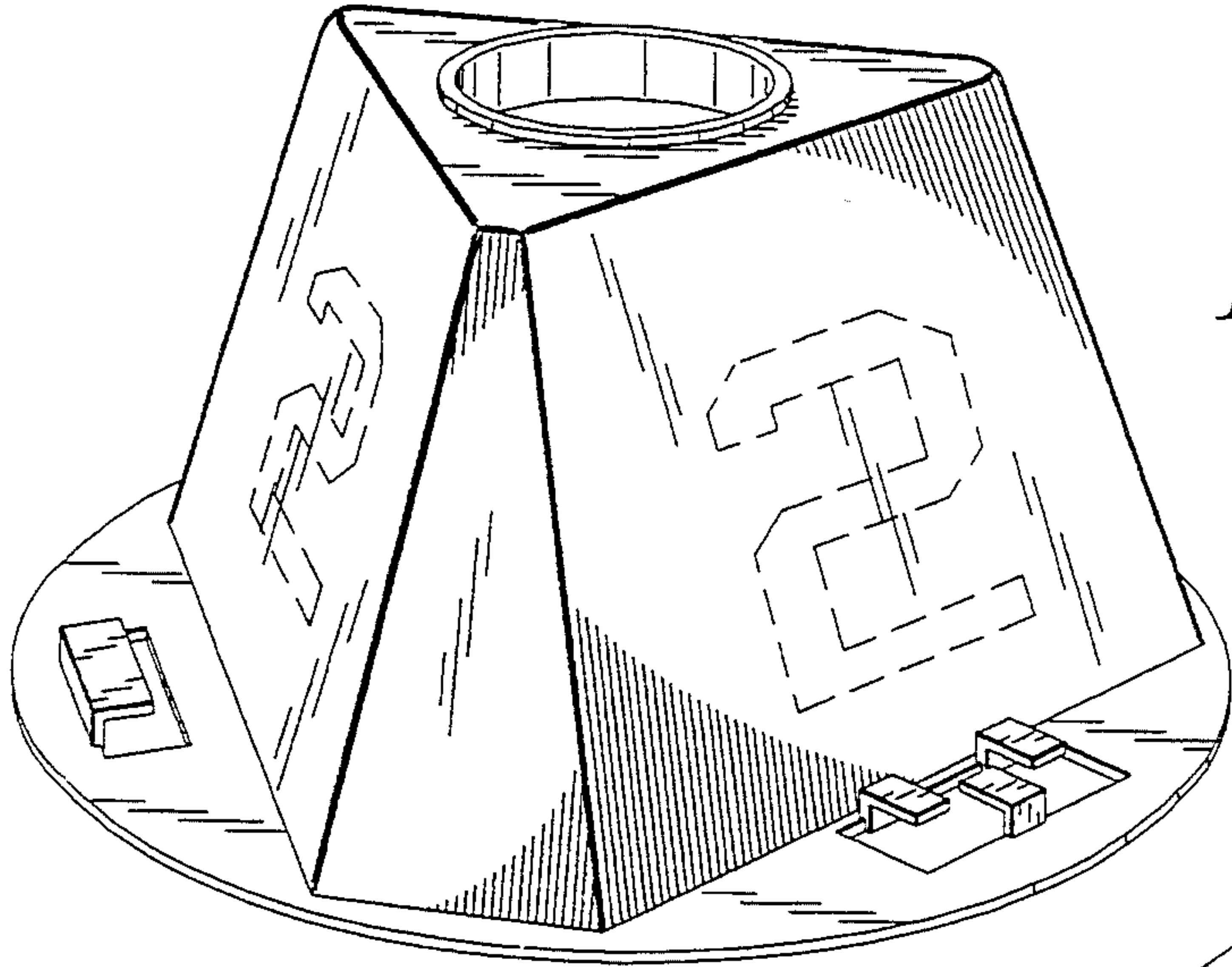


FIG. 1

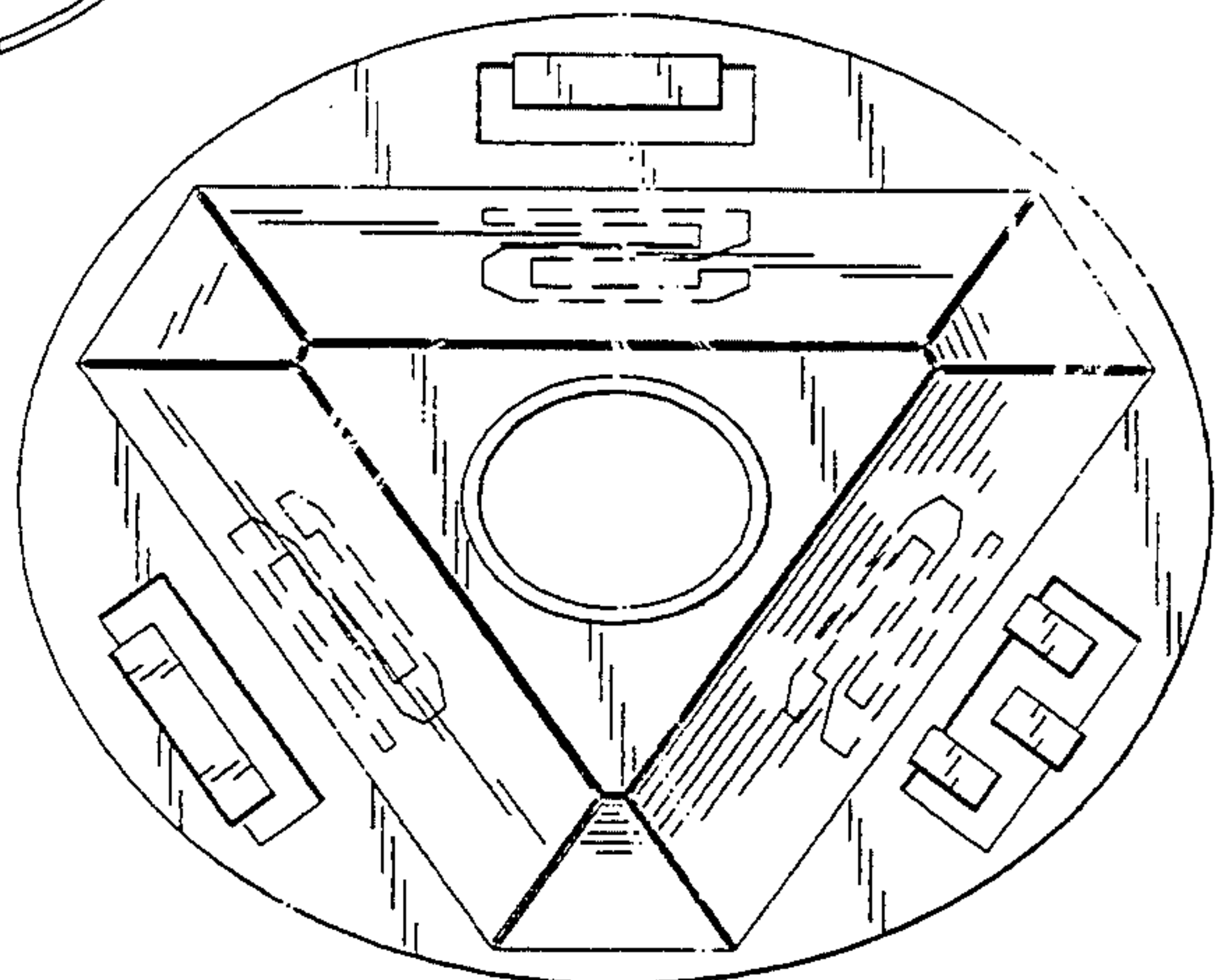


FIG. 2

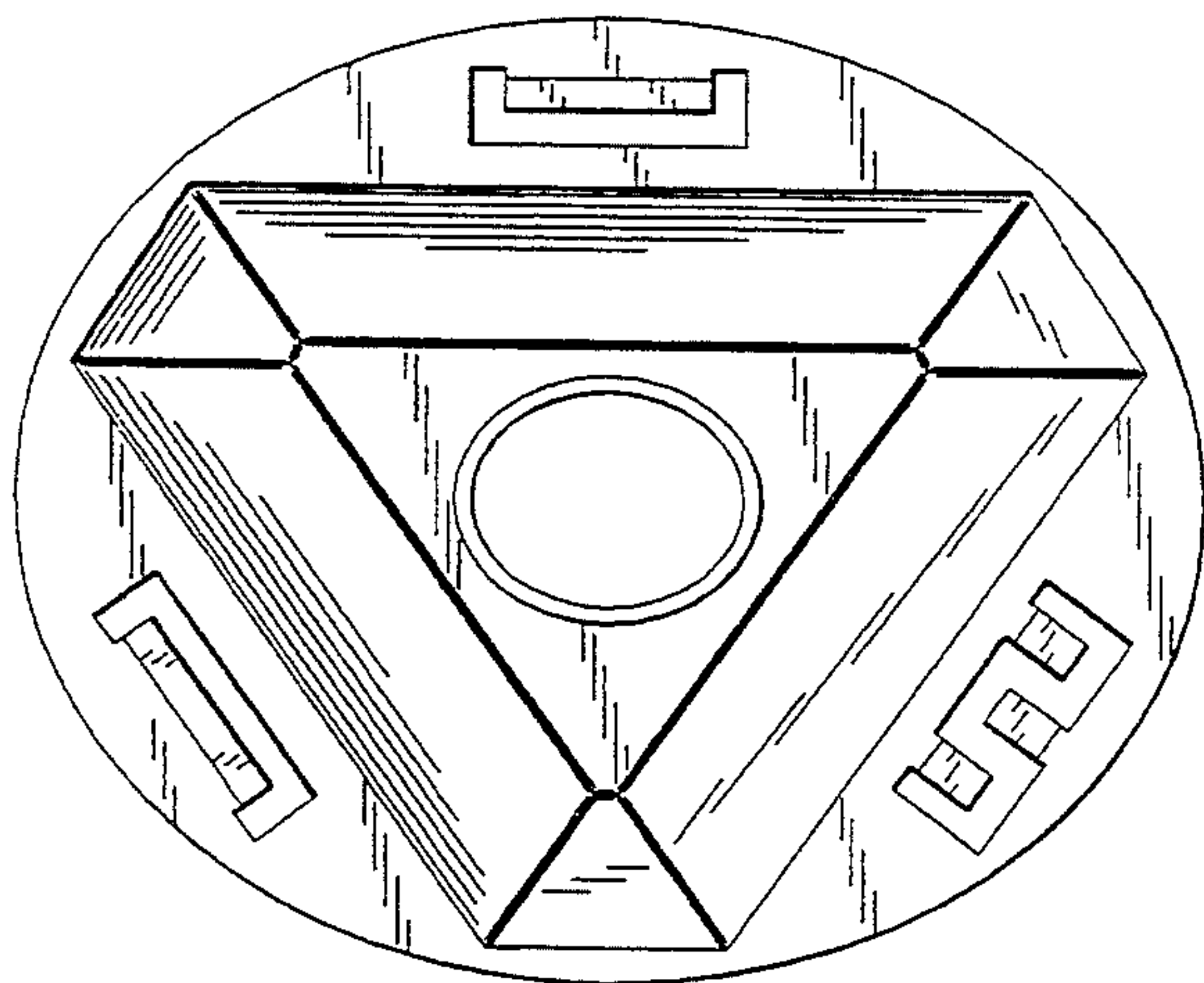


FIG. 4

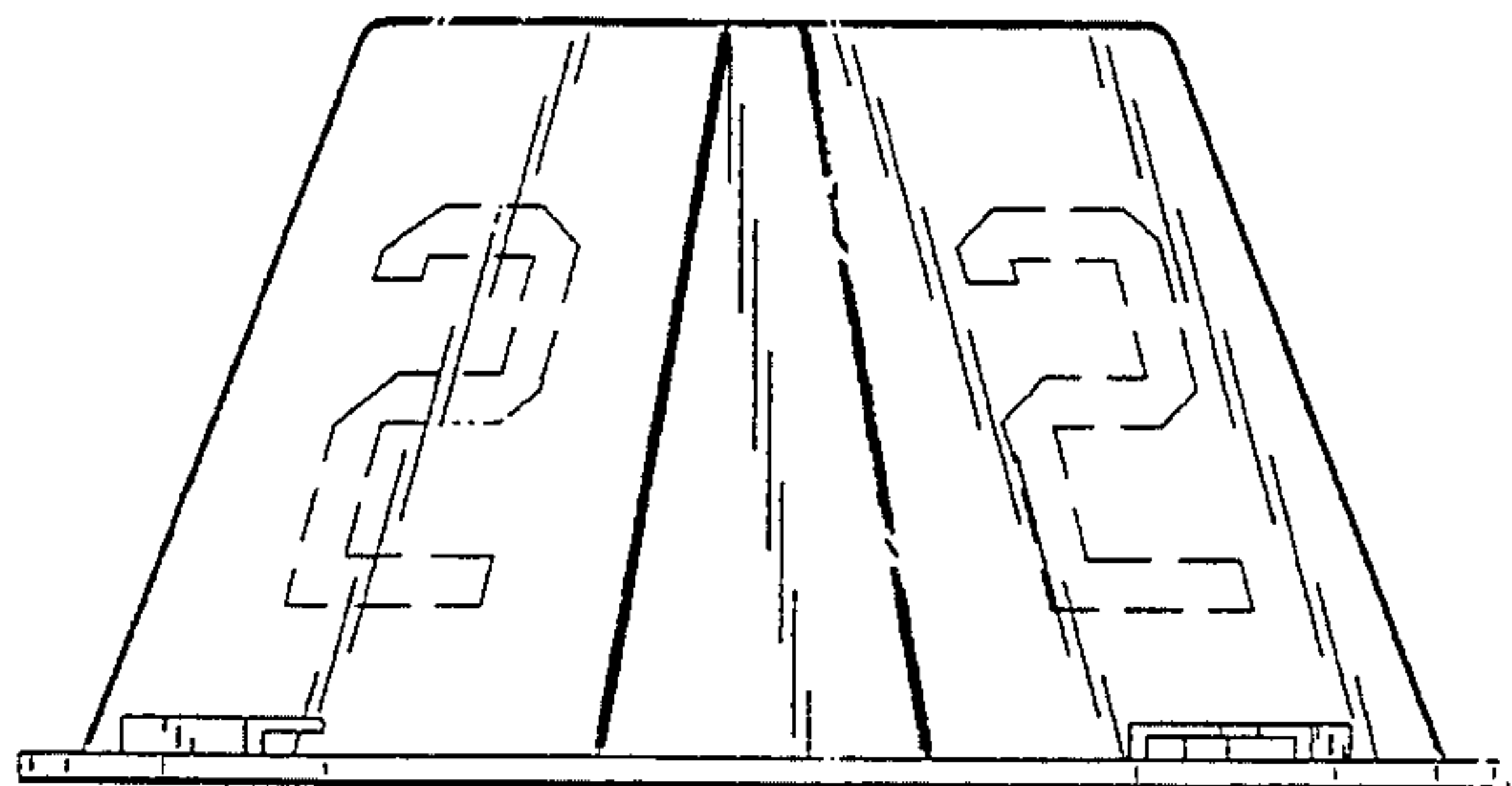


FIG. 3