



US00D350300S

United States Patent [19]

[11] Patent Number: **Des. 350,300**

Browning et al.

[45] Date of Patent: **** Sep. 6, 1994**

[54] **COMBINED GAS AND CARBON MONOXIDE SENSOR ALARM**

Primary Examiner—Wallace R. Burke
Assistant Examiner—Marcus Jackson
Attorney, Agent, or Firm—Terry M. Gernstein

[76] Inventors: **Harry F. Browning; Debra K. Browning**, both of 1338 SE. Buckingham Ter., Port St. Lucie, Fla. 34952

[57] **CLAIM**

The ornamental design for a combined gas and carbon monoxide sensor alarm, as shown and described.

[**] Term: **14 Years**

DESCRIPTION

[21] Appl. No.: **19,844**

FIG. 1 is an exploded perspective view of the combined gas and carbon monoxide sensor alarm showing our new design, the cross-line shading which represents a contrasting surface is partially shown for ease of illustration and is understood to cover the entire surface areas indicated;

[22] Filed: **Mar. 14, 1994**

[52] U.S. Cl. **D10/106**

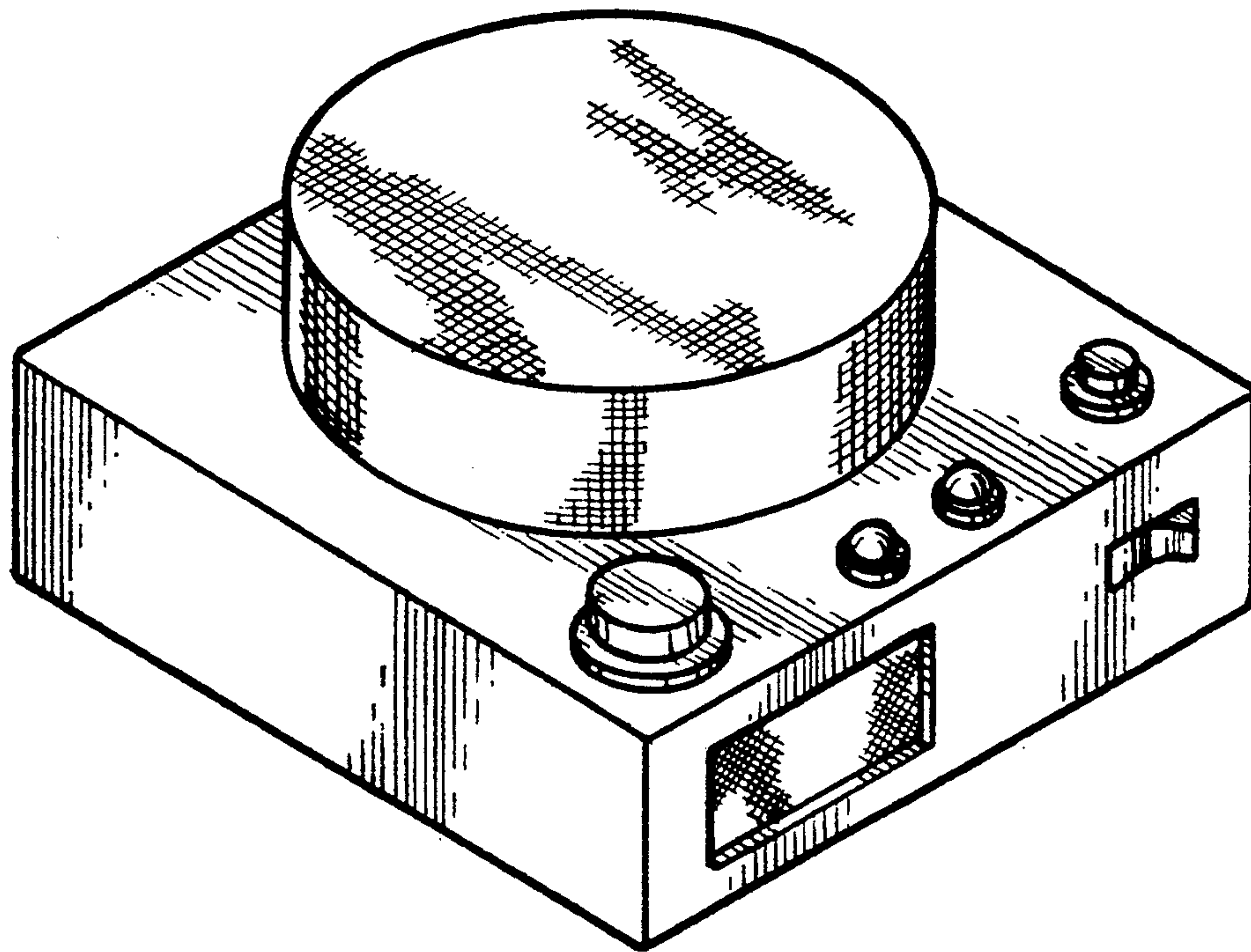
[58] Field of Search 340/628, 629, 630, 632, 340/633, 634; D10/104, 106, 116, 121

FIG. 2 is a front elevational view thereof;
FIG. 3 is a rear elevational view thereof;
FIG. 4 is a side elevational view thereof;
FIG. 5 is a side elevational view thereof;
FIG. 6 is a top plan view thereof; and,
FIG. 7 is a bottom plan view thereof.

[56] **References Cited**

U.S. PATENT DOCUMENTS

D. 297,317	8/1988	Taylor	D10/106
D. 297,318	8/1988	Taylor	D10/106
D. 308,835	6/1990	Fenne	D10/106



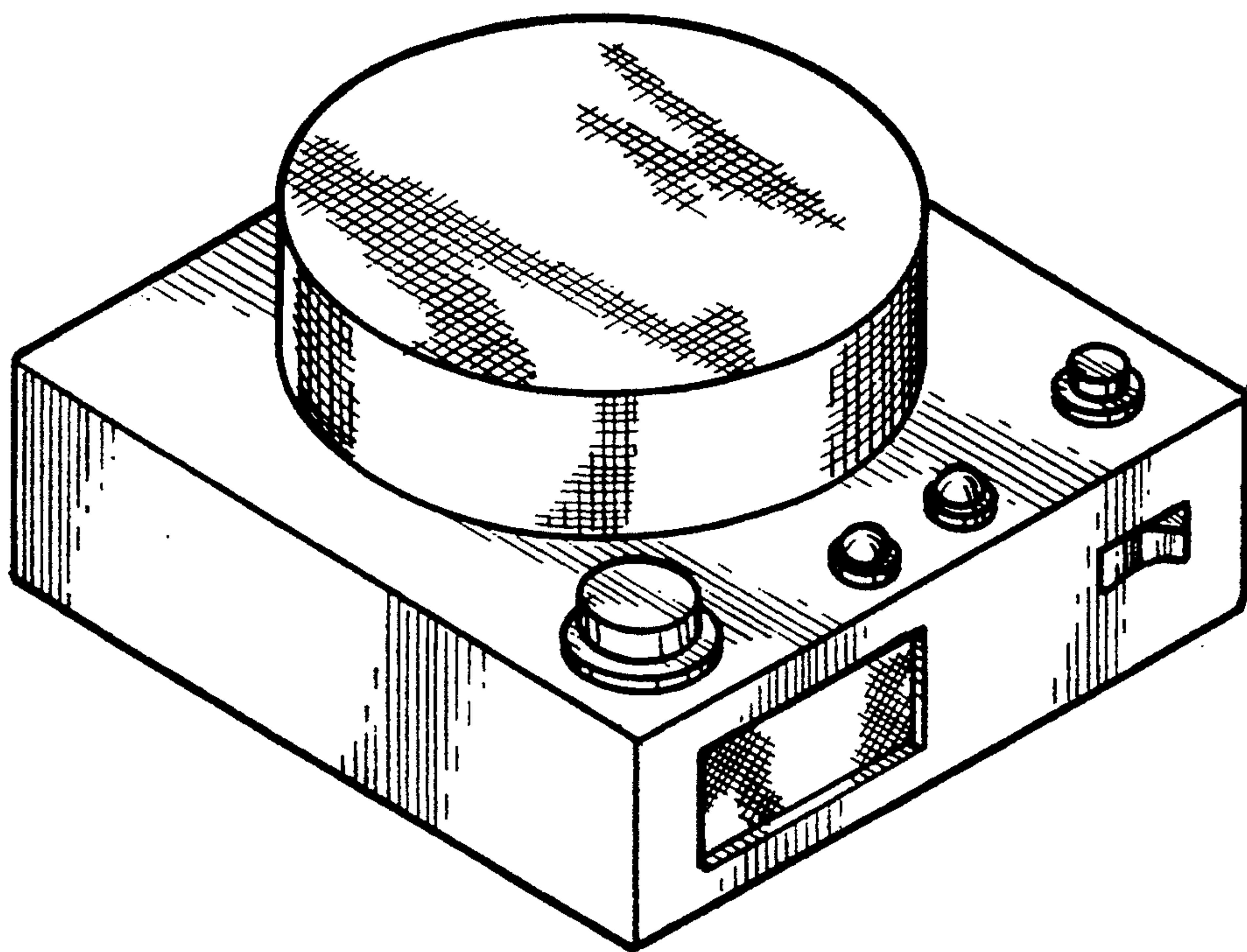


FIG. 1

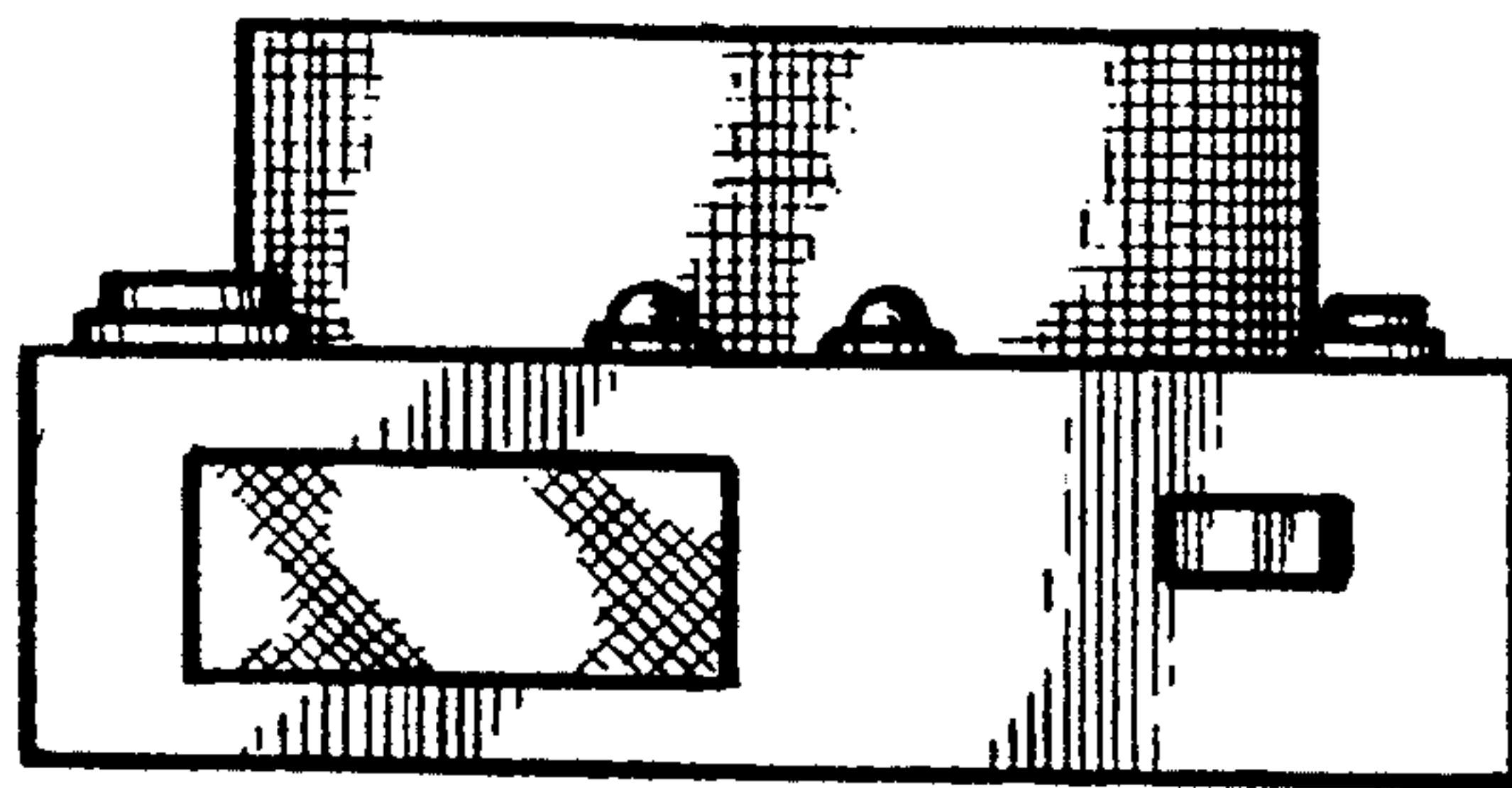


FIG. 2

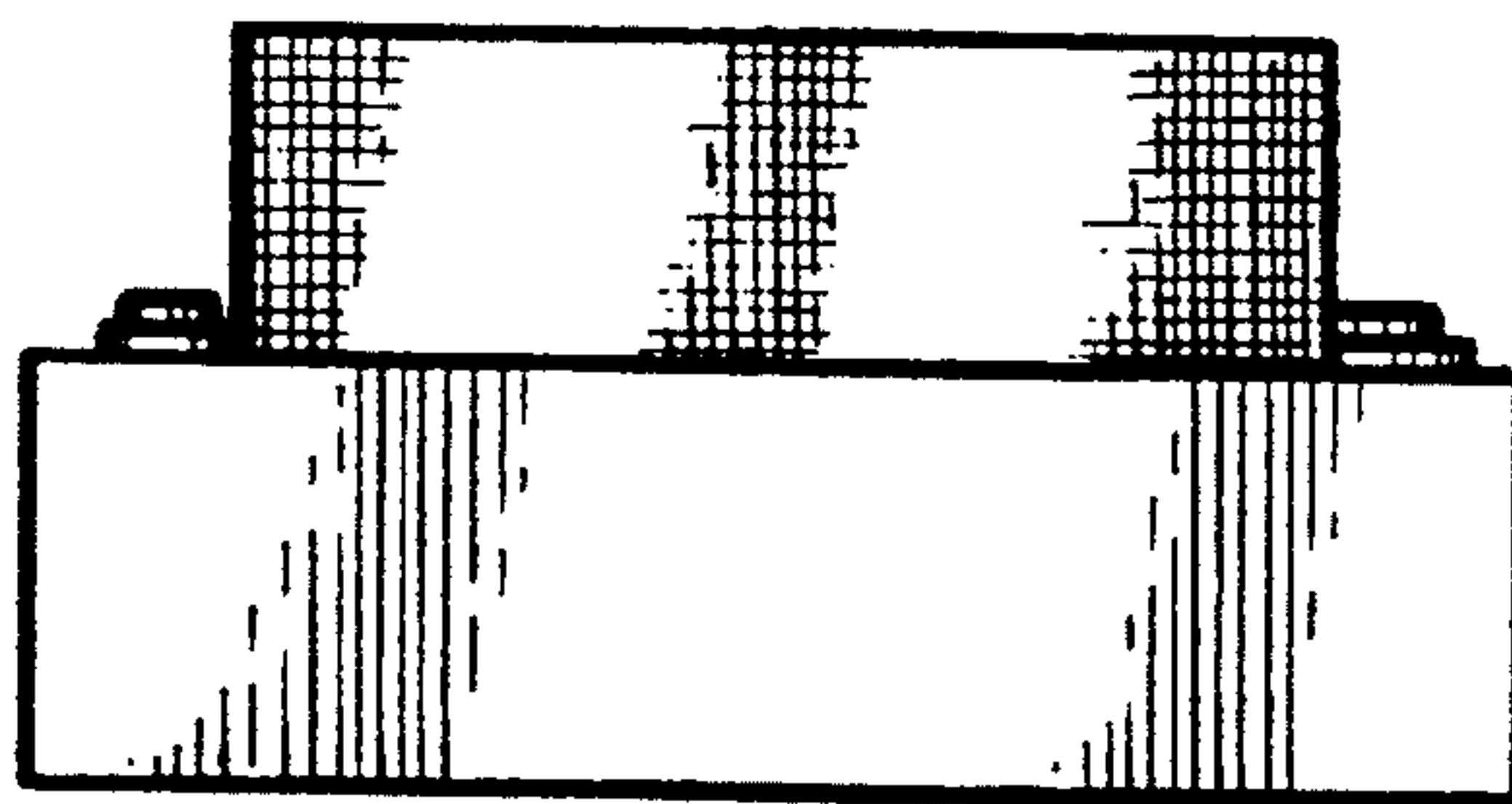


FIG. 3

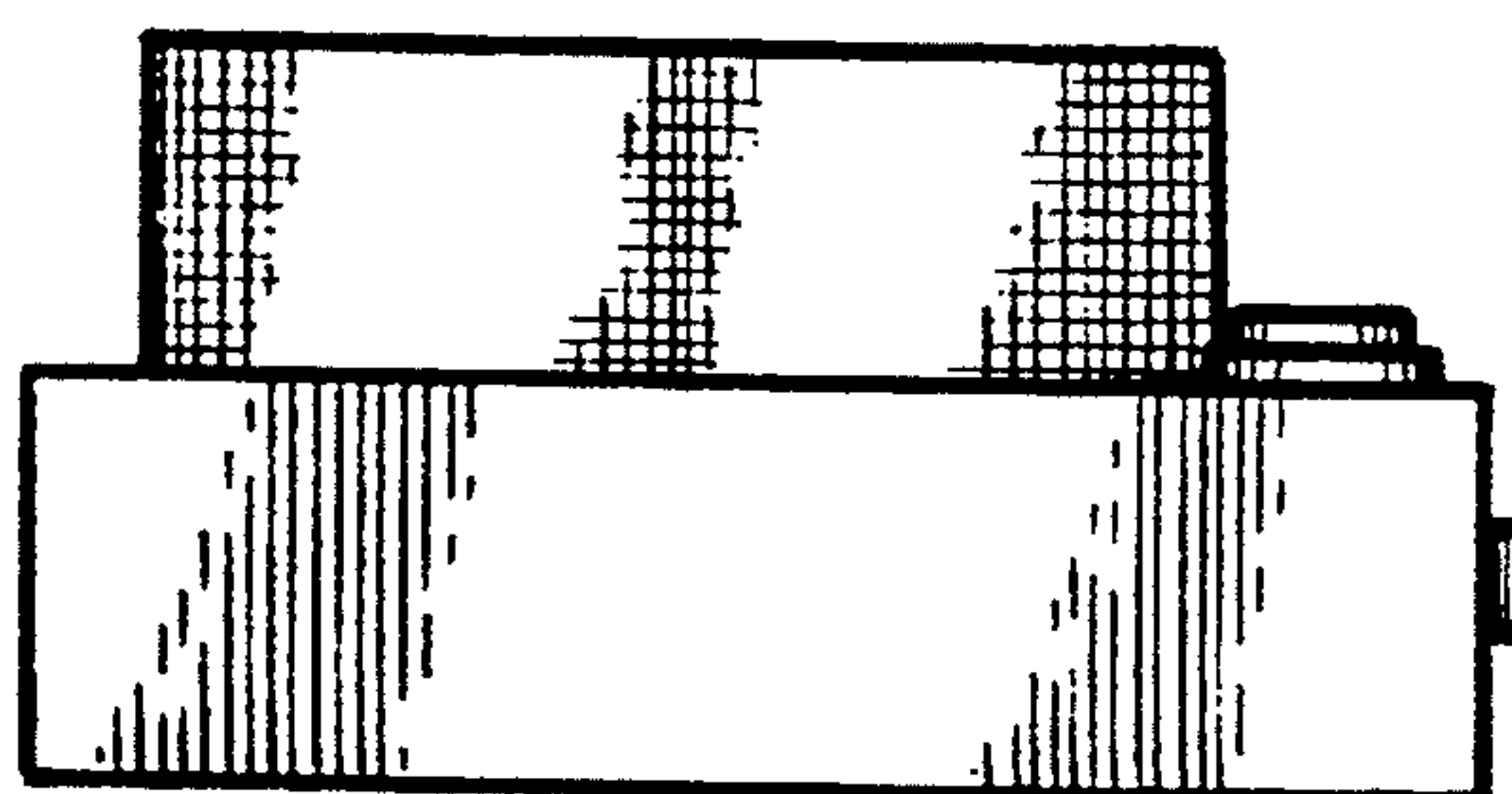


FIG. 4

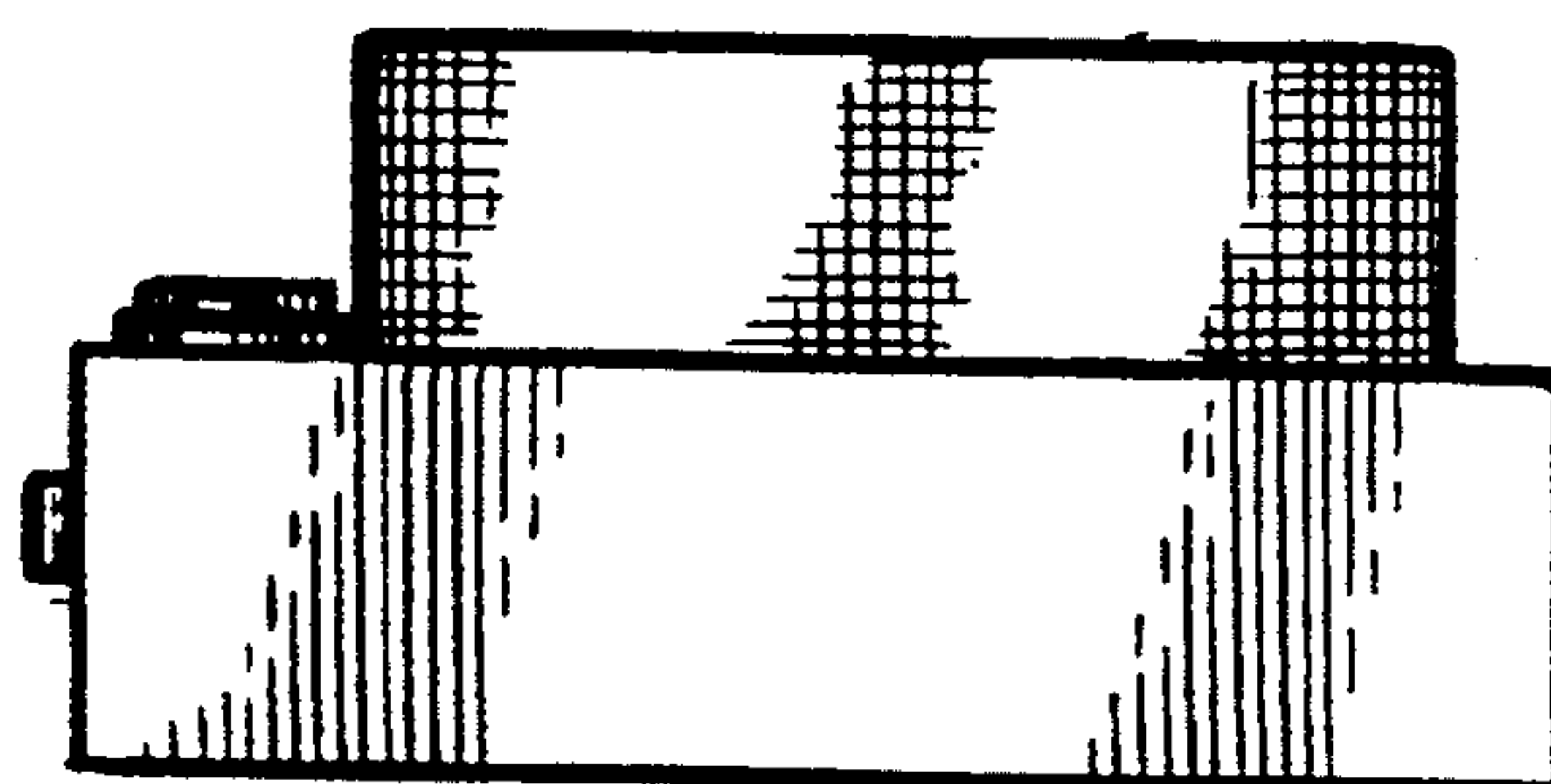


FIG. 5

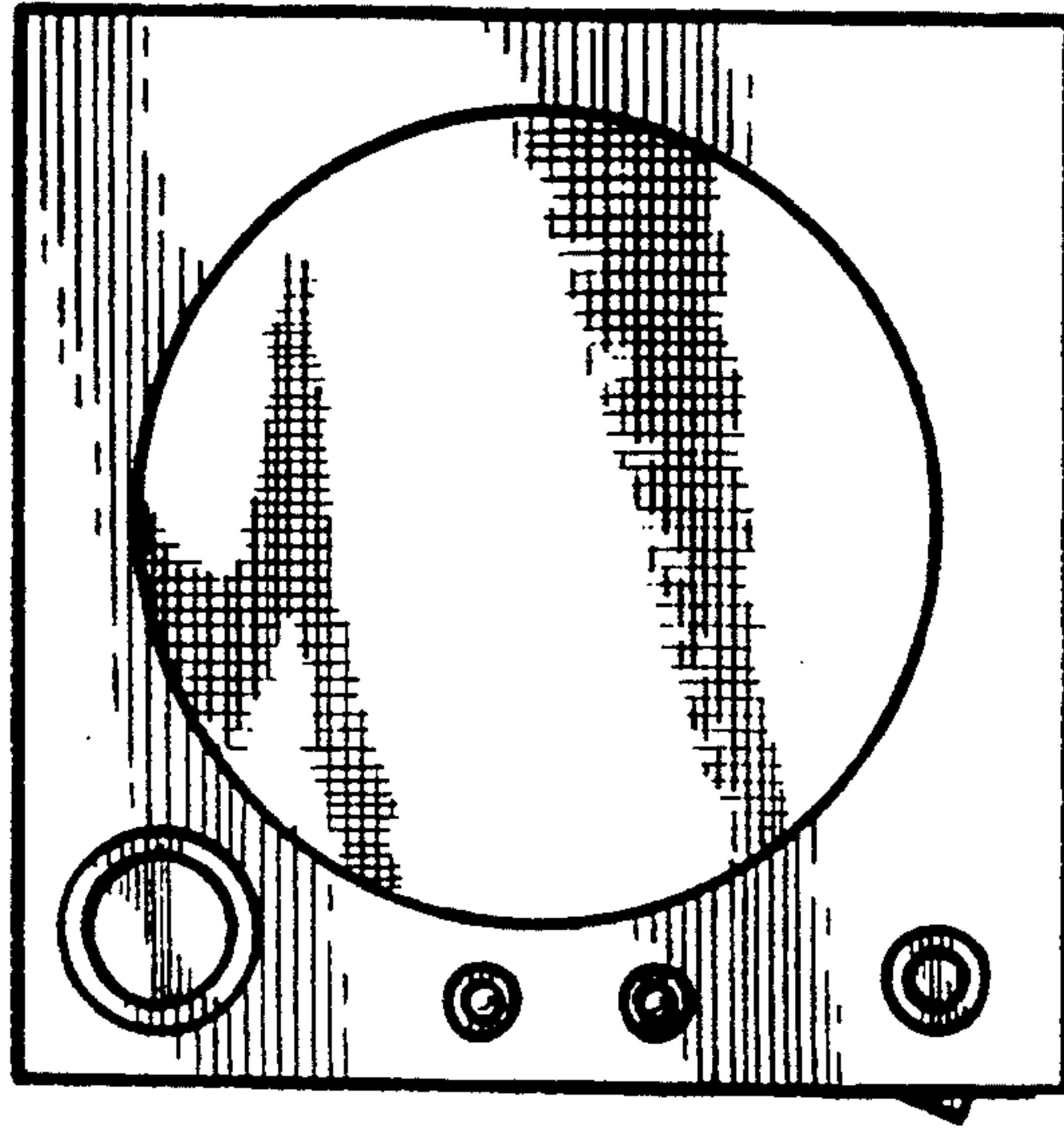


FIG. 6

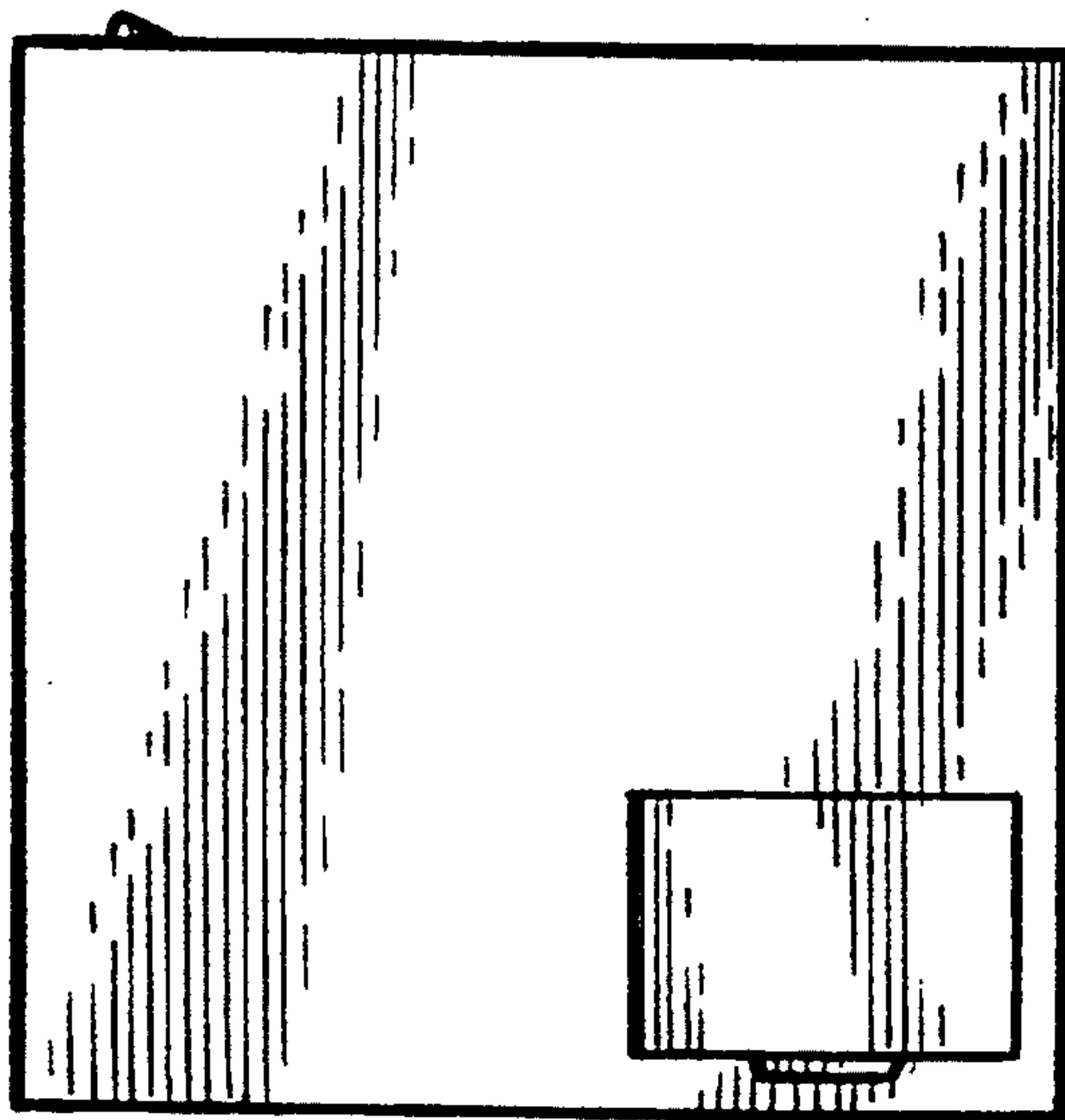


FIG. 7