



US00D350294S

United States Patent [19]

[11] Patent Number: Des. 350,294

Nakashima et al.

[45] Date of Patent: ** Sep. 6, 1994

[54] CONTROL UNIT FOR AN ULTRASONIC FLAW DETECTOR

[75] Inventors: Hiroaki Nakashima, Tokyo; Toshiyuki Utsuki, Tachikawa; Toshihiko Wada, Musashimurayama; Yukio Arima, Tsukuba; Tohru Miyata, Tsuchiura, all of Japan

[73] Assignee: Hitachi Construction Machinery Co., Ltd., Tokyo, Japan

[**] Term: 14 Years

[21] Appl. No.: 7,632

[22] Filed: Apr. 28, 1993

[30] Foreign Application Priority Data

Oct. 28, 1992 [JP] Japan 4-31525

[52] U.S. Cl. D10/75; D10/46

[58] Field of Search 73/606, 607, 621, 629, 73/618, 649, 658, 659, 660; D10/46, 75

[56] References Cited

U.S. PATENT DOCUMENTS

- D. 219,306 11/1970 Morgan D10/46
- D. 275,277 8/1984 Barbo et al. D10/46 X
- D. 307,398 4/1990 Umemoto et al. D10/46
- D. 328,714 8/1992 Nakajima et al. D10/75
- 4,947,351 8/1990 Moran et al. 73/607 X

FOREIGN PATENT DOCUMENTS

809049 11/1990 Japan .

- 809050 11/1990 Japan .
- 818924 6/1991 Japan .
- 818924-1 8/1991 Japan .
- 831944 12/1991 Japan .
- 831945 12/1991 Japan .
- 858646 10/1992 Japan .
- 858653 10/1992 Japan .
- 858667 10/1992 Japan .
- 858668 10/1992 Japan .
- 858669 10/1992 Japan .
- 858670 10/1992 Japan .
- 858671 10/1992 Japan .
- 858672 10/1992 Japan .

Primary Examiner—Alan P. Douglas
Assistant Examiner—Antoine D. Davis
Attorney, Agent, or Firm—Pollock, Vande Sande & Priddy

[57] CLAIM

The ornamental design for a control unit for an ultrasonic flaw detector, as shown and described.

DESCRIPTION

FIG. 1 is a perspective front, right side and top view of a control unit for an ultrasonic flaw detector showing my new design;
FIG. 2 is a front elevational view thereof;
FIG. 3 is a side view thereof;
FIG. 4 is a top view thereof;
FIG. 5 is a rear view thereof;
FIG. 6 is a bottom view thereof; and,
FIG. 7 is a perspective view thereof, shown in a condition of use.

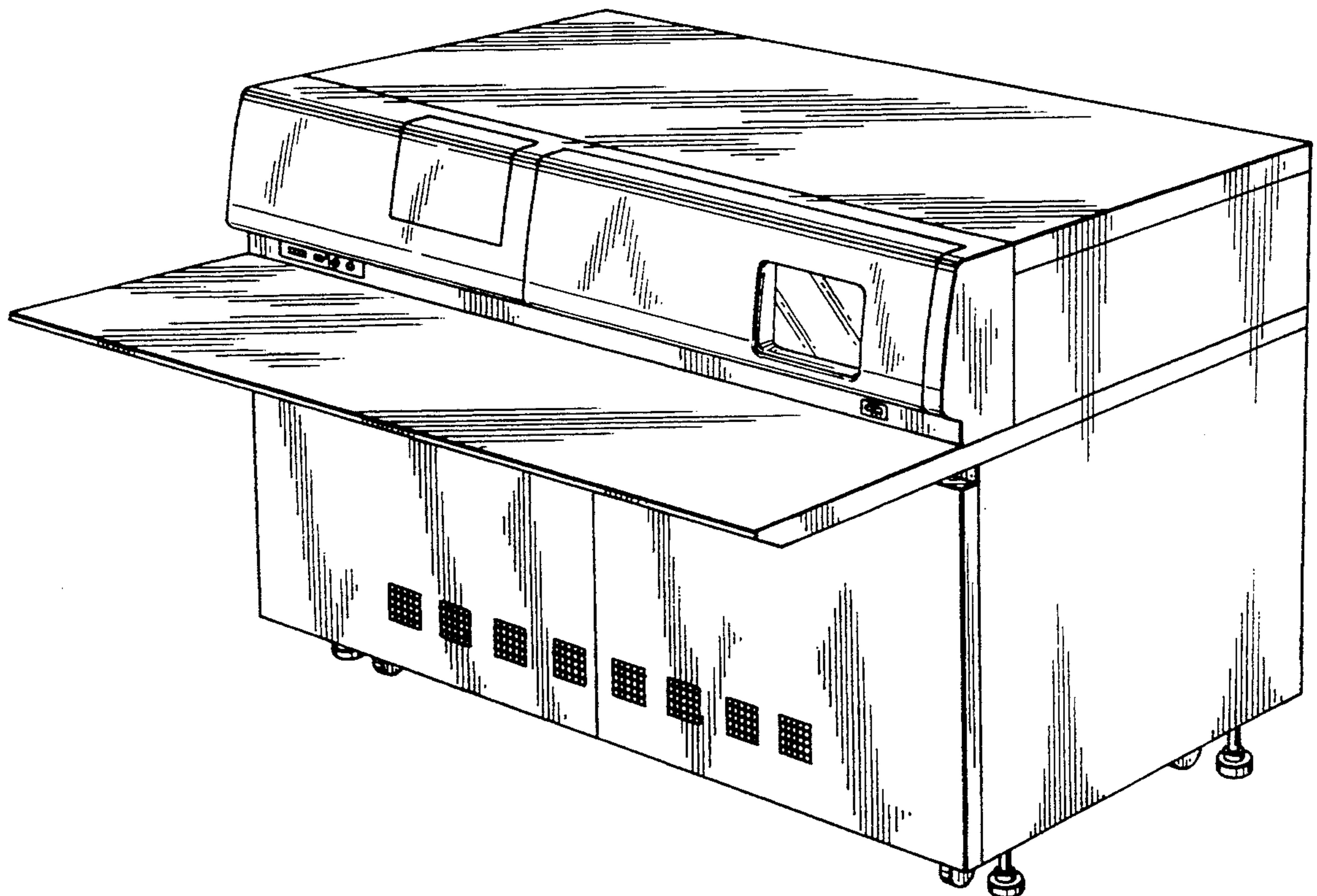


FIG. 1

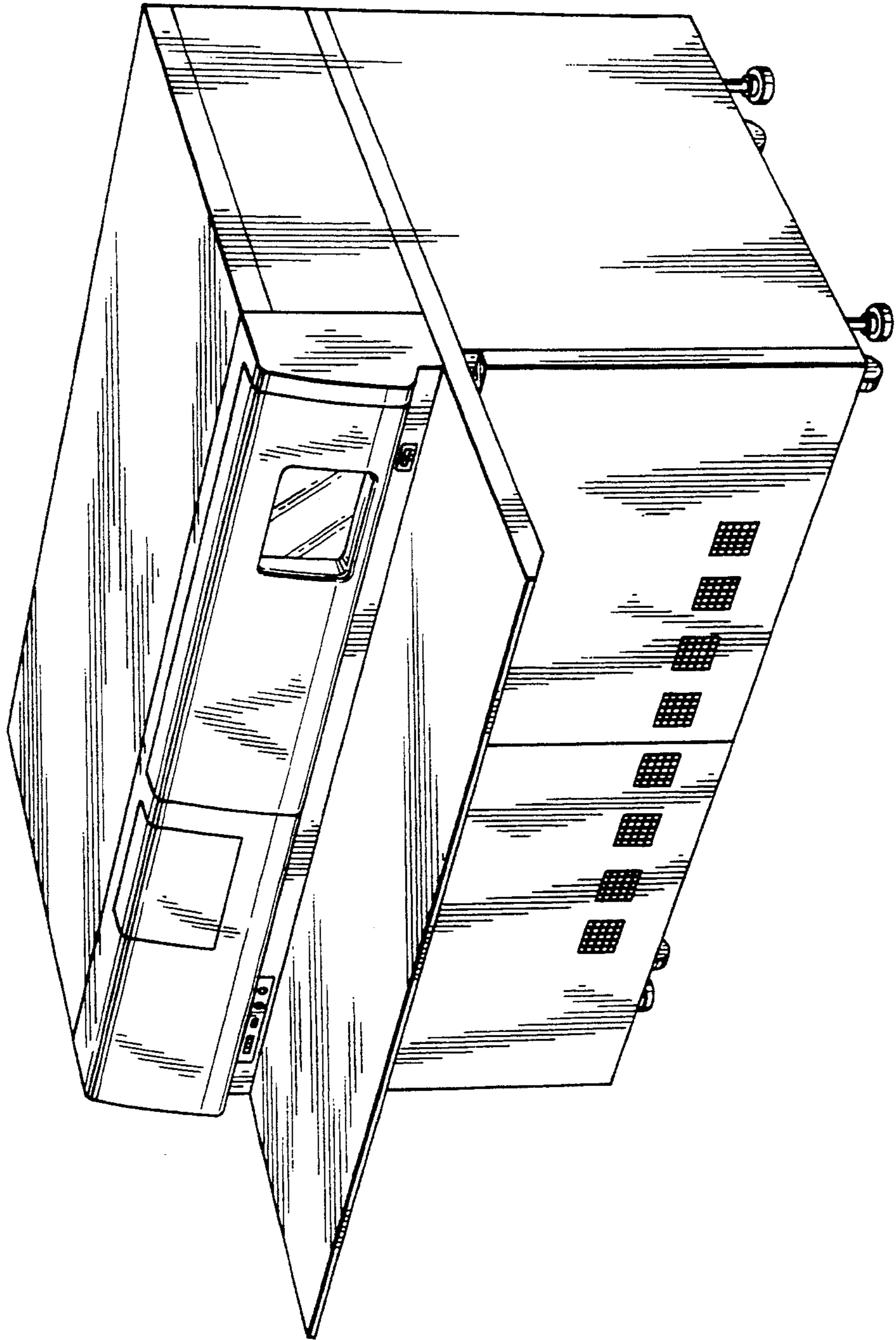


FIG. 2

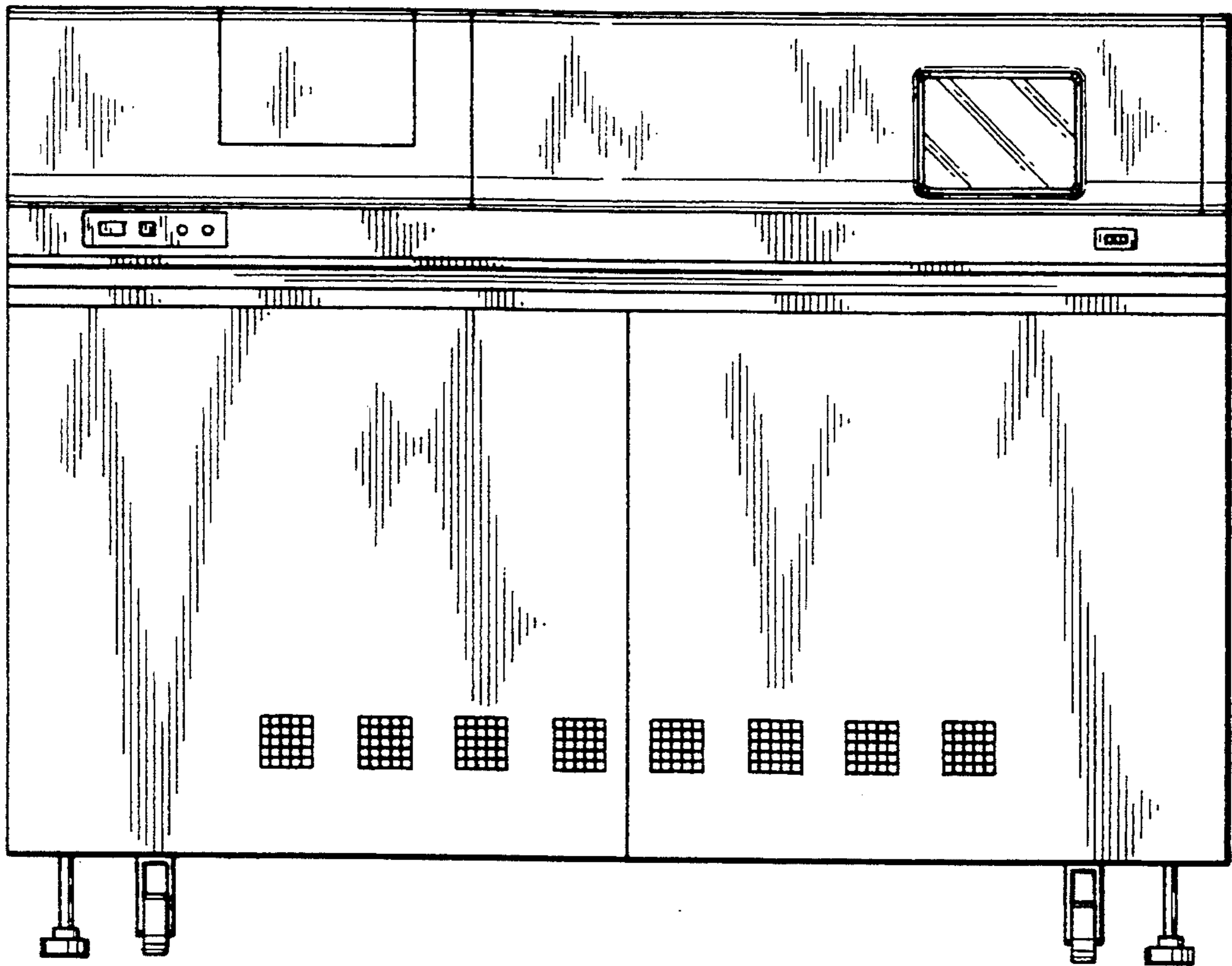


FIG. 3

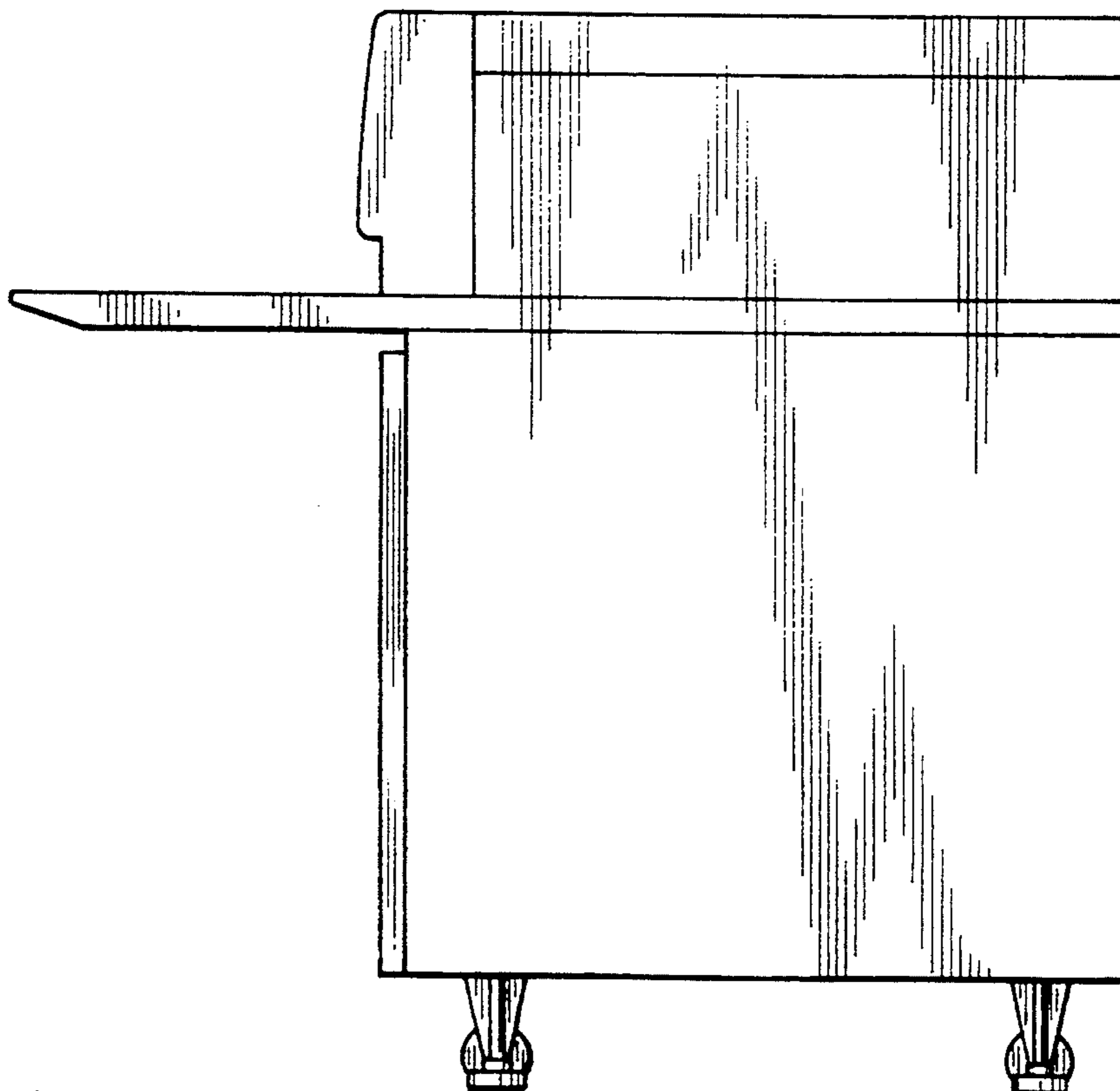


FIG. 4

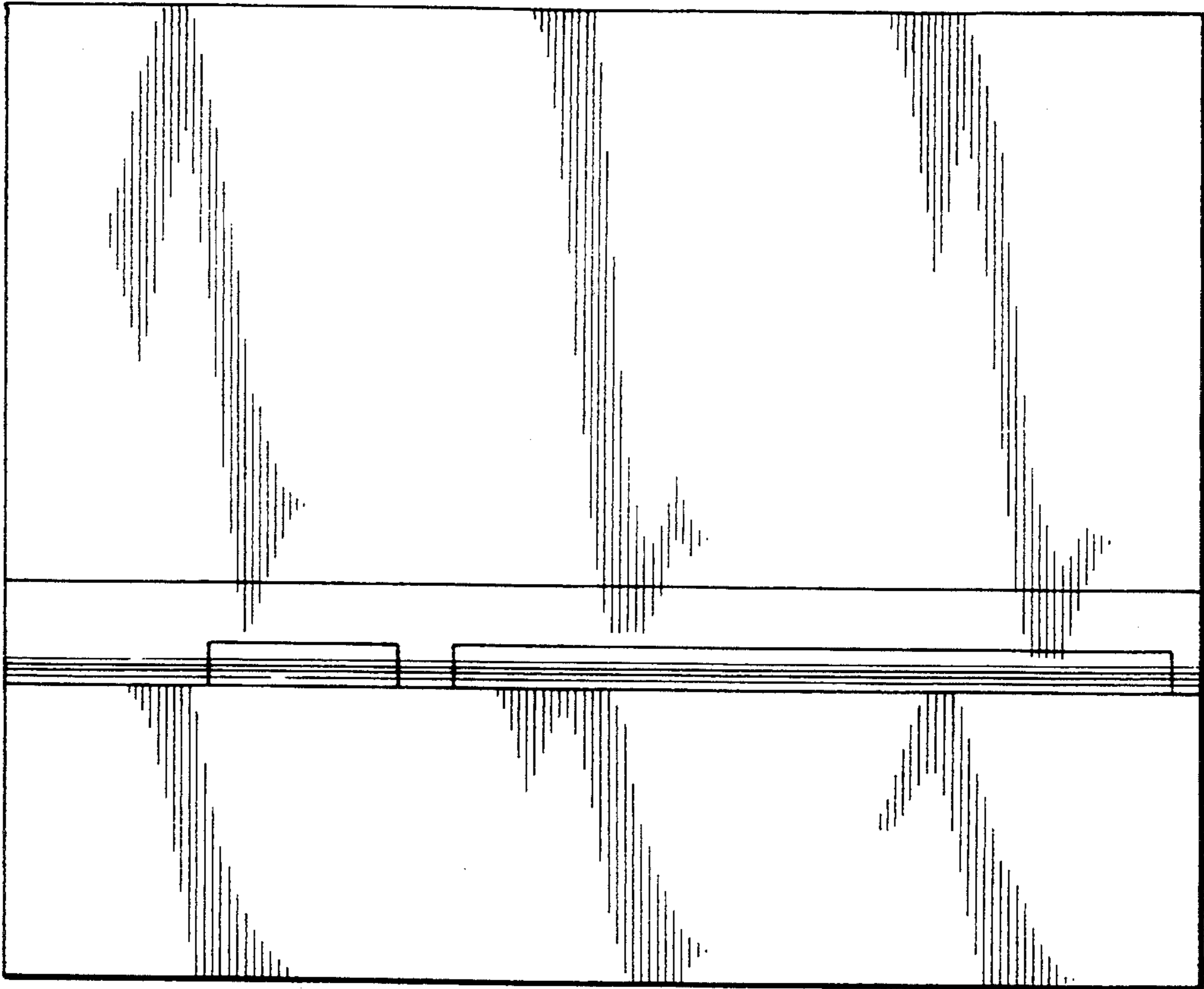


FIG. 5

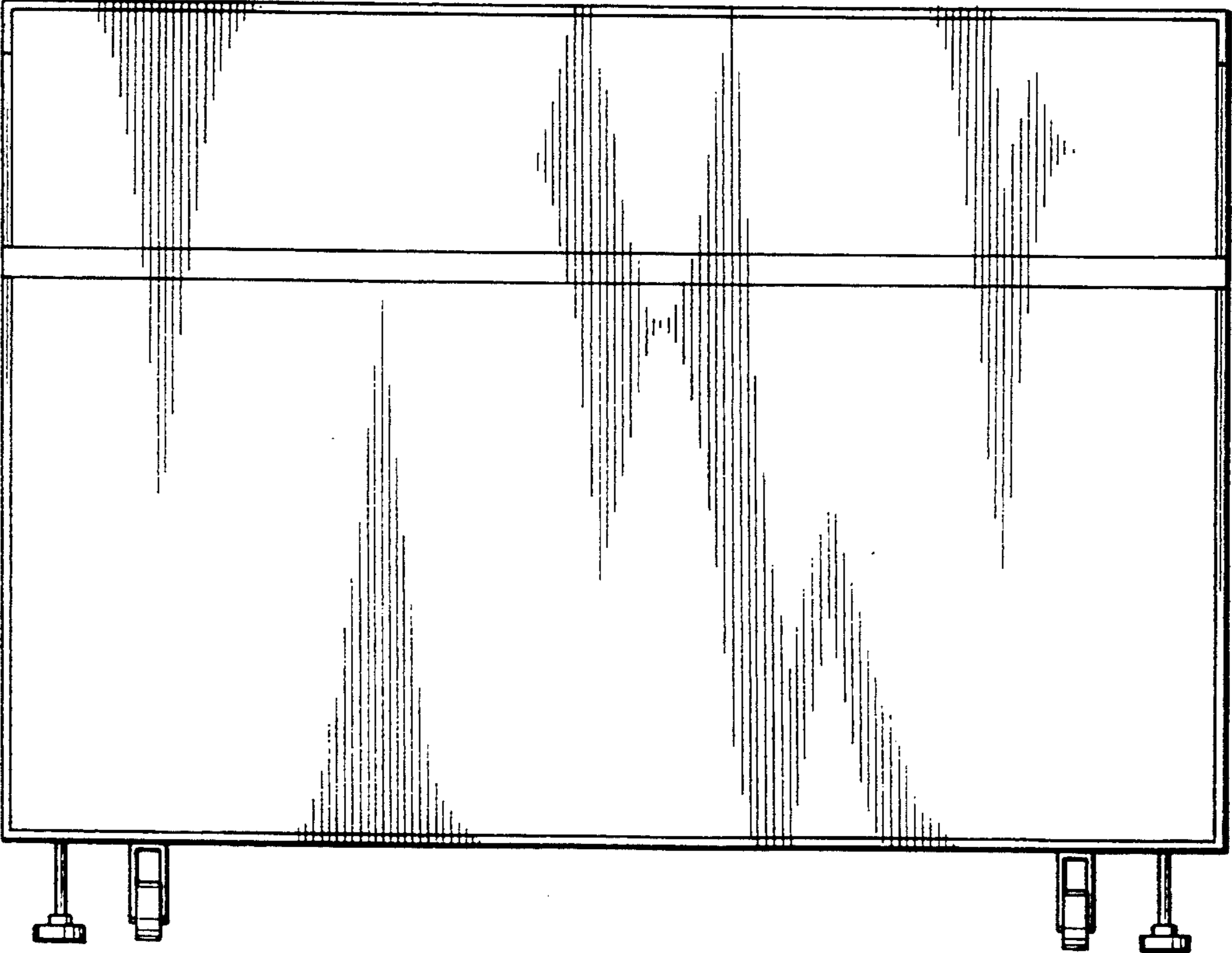


FIG. 6

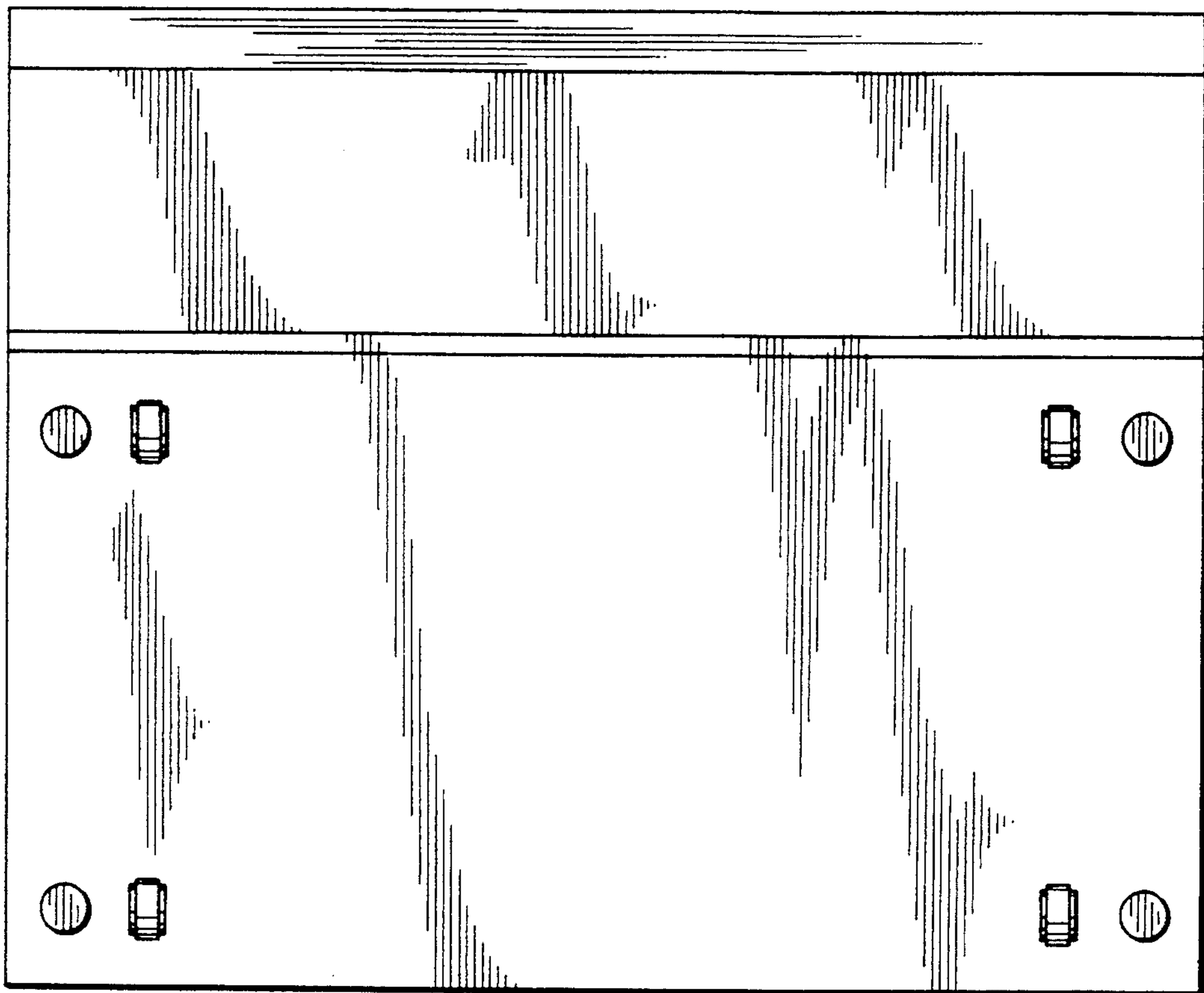


FIG. 7

