



US00D350293S

United States Patent [19] Vincent

[11] Patent Number: **Des. 350,293**
[45] Date of Patent: **** Sep. 6, 1994**

[54] **POLE LEVEL INDICATOR**
[76] Inventor: **Tony Vincent**, 941 Arroyo Dr.,
Barstow, Calif. 92311
[**] Term: **14 Years**
[21] Appl. No.: **6,610**
[22] Filed: **Apr. 2, 1993**
[52] U.S. Cl. **D10/69**
[58] Field of Search 33/281, 282, 365, 366,
33/367, 368, 369, 370, 371, 372, 373; D10/69

5,207,004 5/1993 Grutzmacher 33/373 X
5,253,425 10/1993 Wozniak 33/373

FOREIGN PATENT DOCUMENTS

25439 11/1912 United Kingdom 33/371

Primary Examiner—Alan P. Douglas
Assistant Examiner—Antoine D. Davis
Attorney, Agent, or Firm—Terry M. Gernstein

[57] CLAIM

The ornamental design for a pole level indicator, as shown and described.

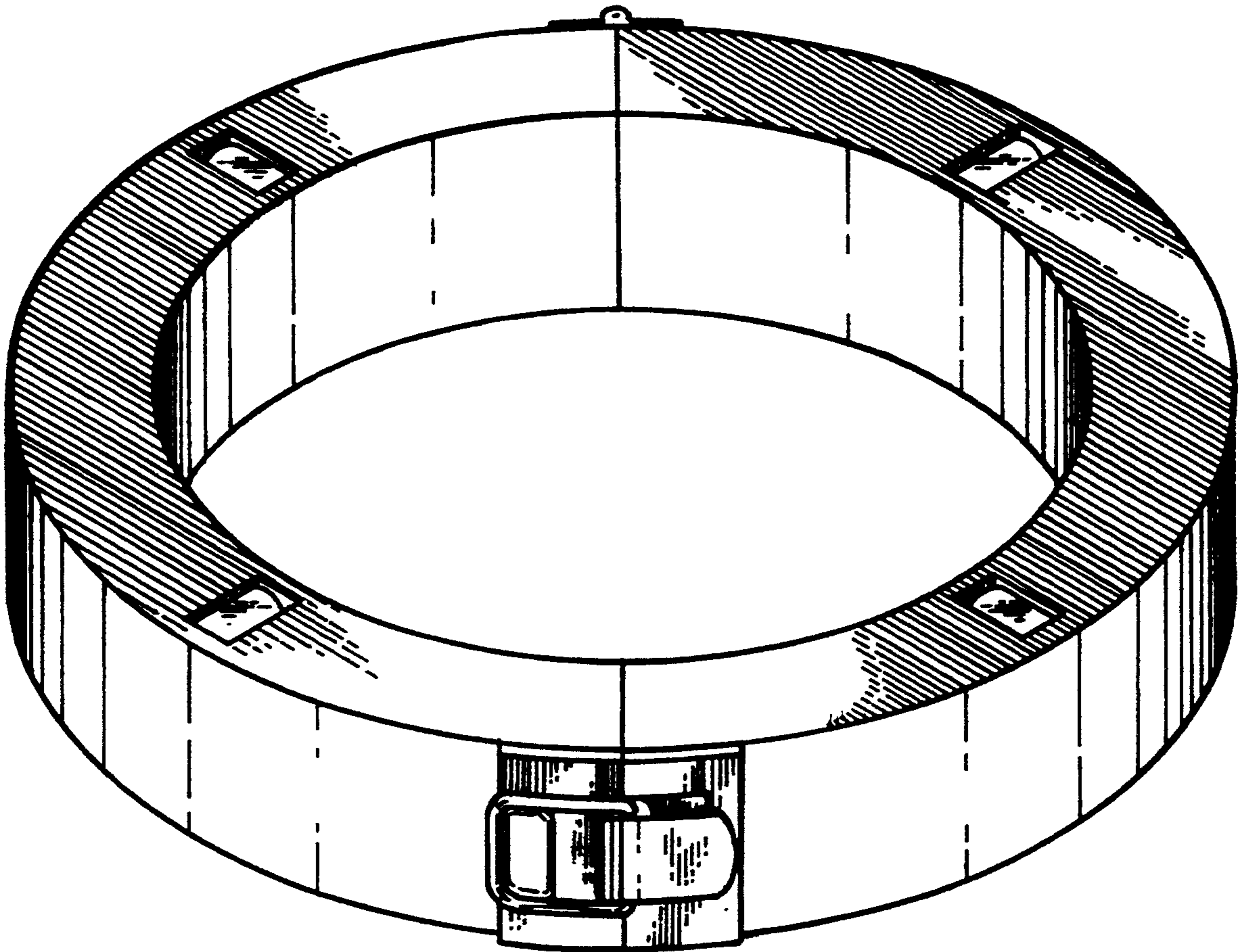
[56] References Cited

U.S. PATENT DOCUMENTS

D. 318,243	7/1991	Piskula	D10/69
2,194,995	3/1940	Bergquist	.	
2,469,795	5/1949	Sproul	33/371
3,138,878	6/1964	Mehlman	.	
3,673,696	7/1972	Wasson	33/370 X
3,673,697	7/1972	Wasson	33/370 X
4,591,250	5/1986	Woodruff	.	
4,726,009	2/1988	Issac	33/371 X

DESCRIPTION

FIG. 1 is a front, top and side perspective view of the pole level indicator showing my new design; FIG. 2 is a front elevational view thereof; FIG. 3 is a rear elevational view thereof; FIG. 4 is a side elevational view thereof; FIG. 5 is a side elevational view thereof; FIG. 6 is a top plan view thereof; and, FIG. 7 is a bottom plan view thereof.



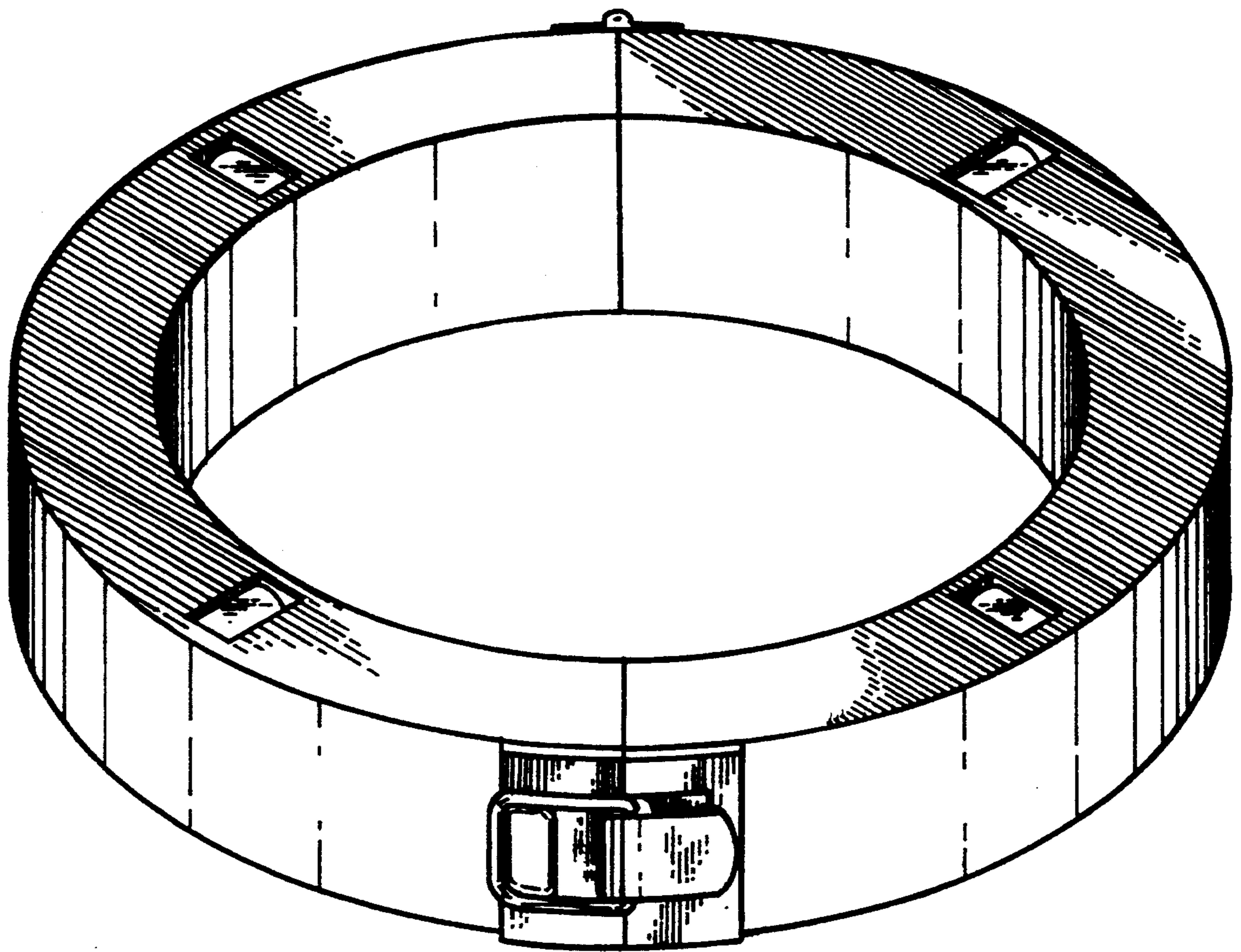


FIG.1

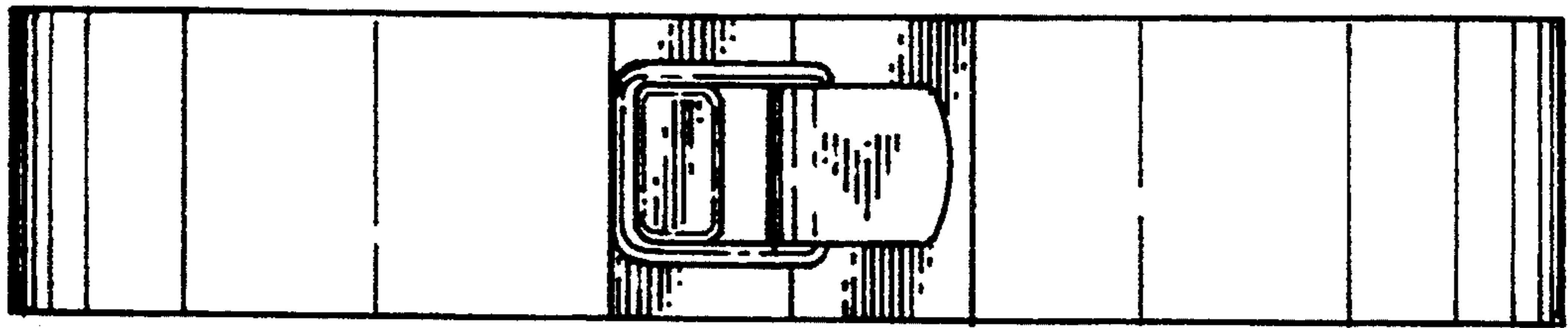


FIG. 2

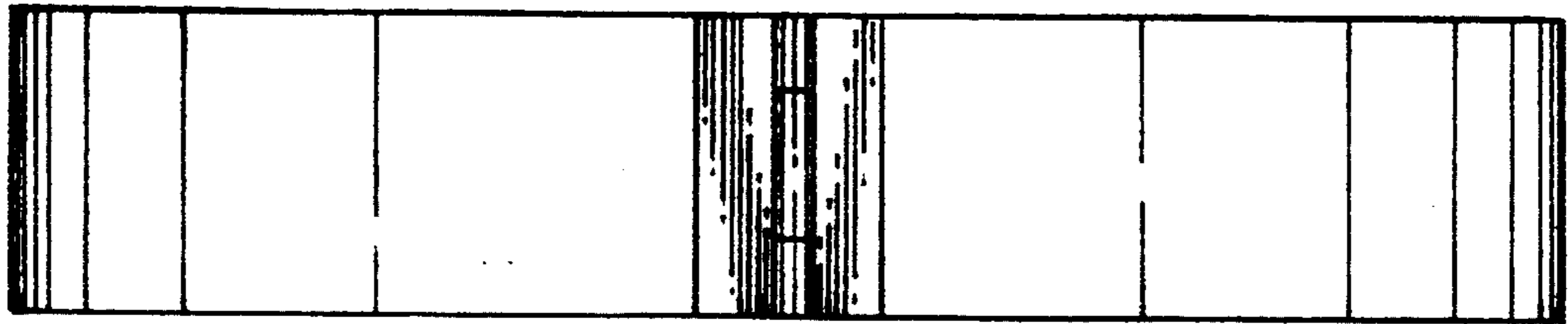


FIG. 3

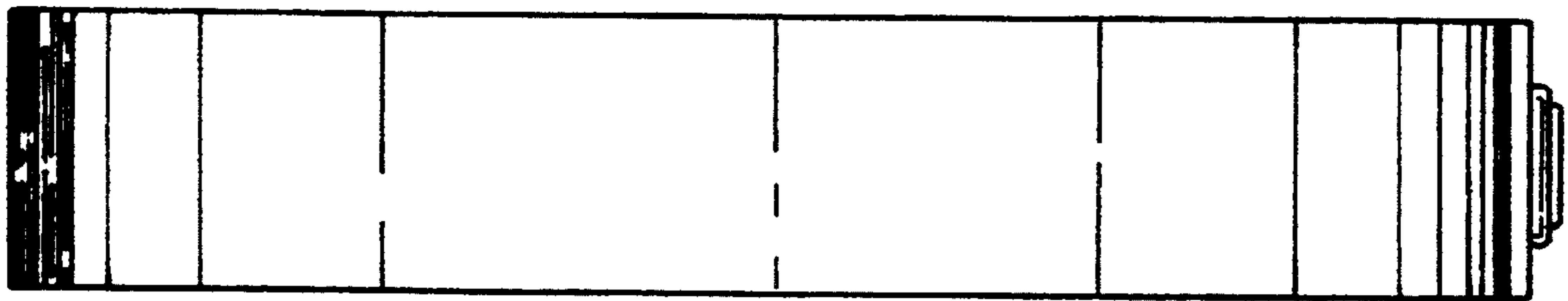


FIG. 4

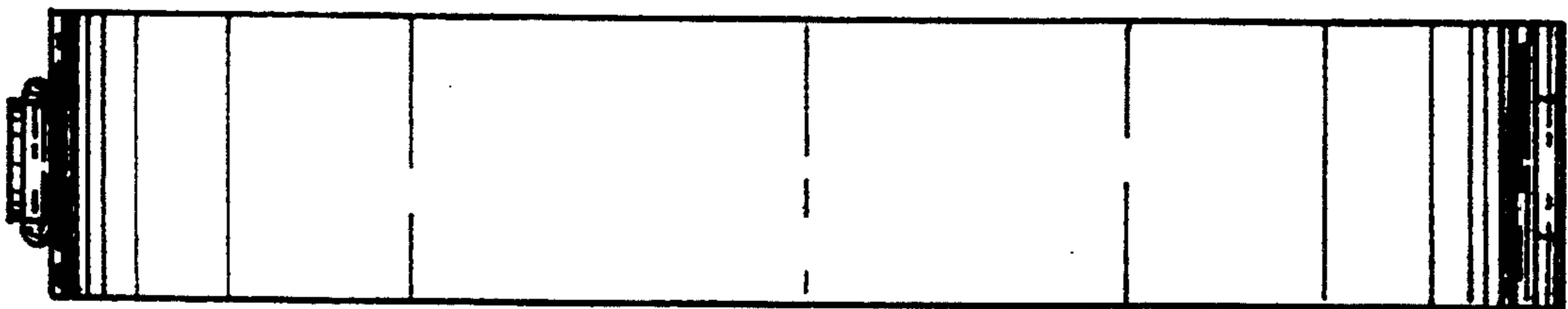


FIG. 5

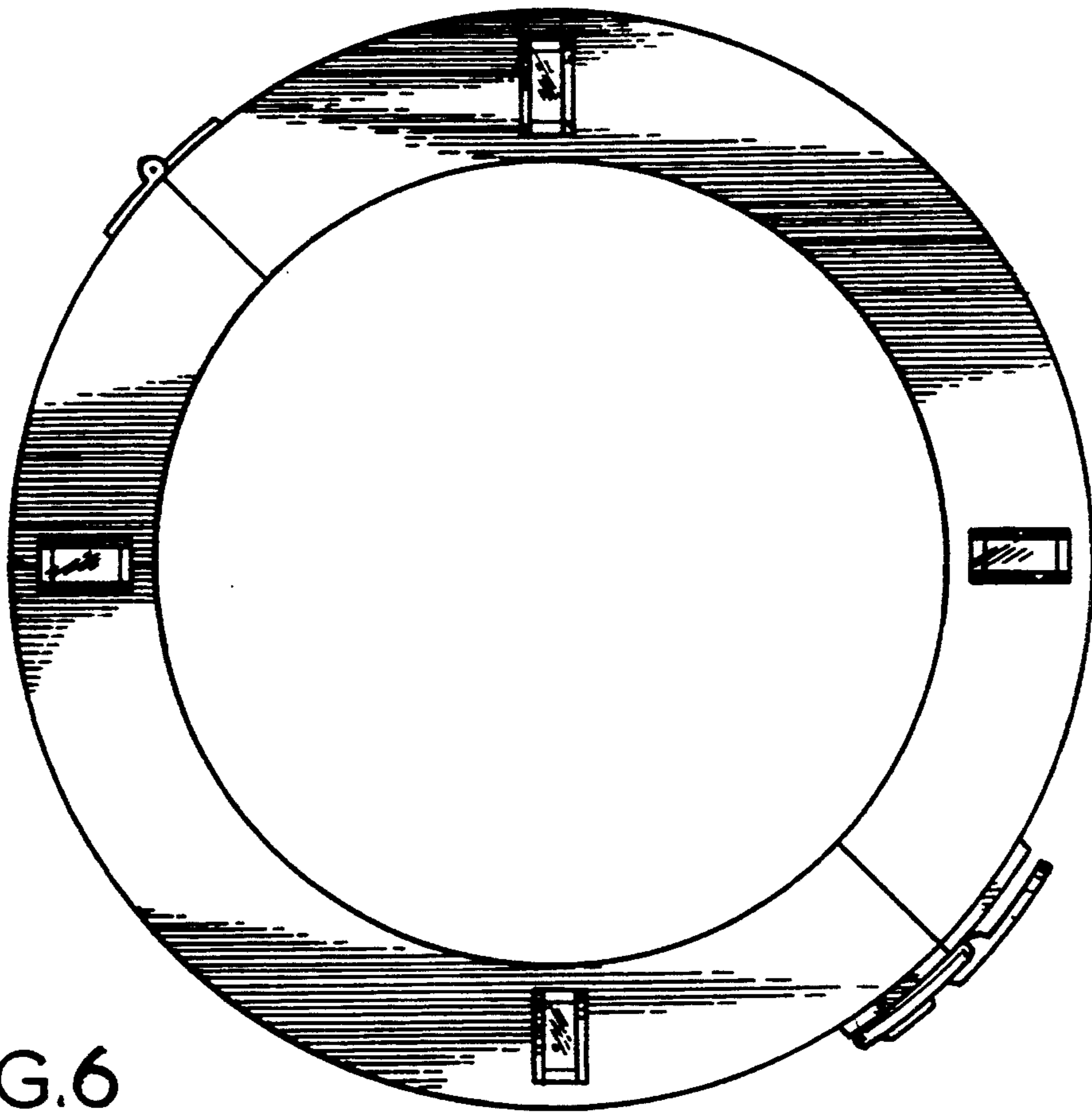


FIG. 6

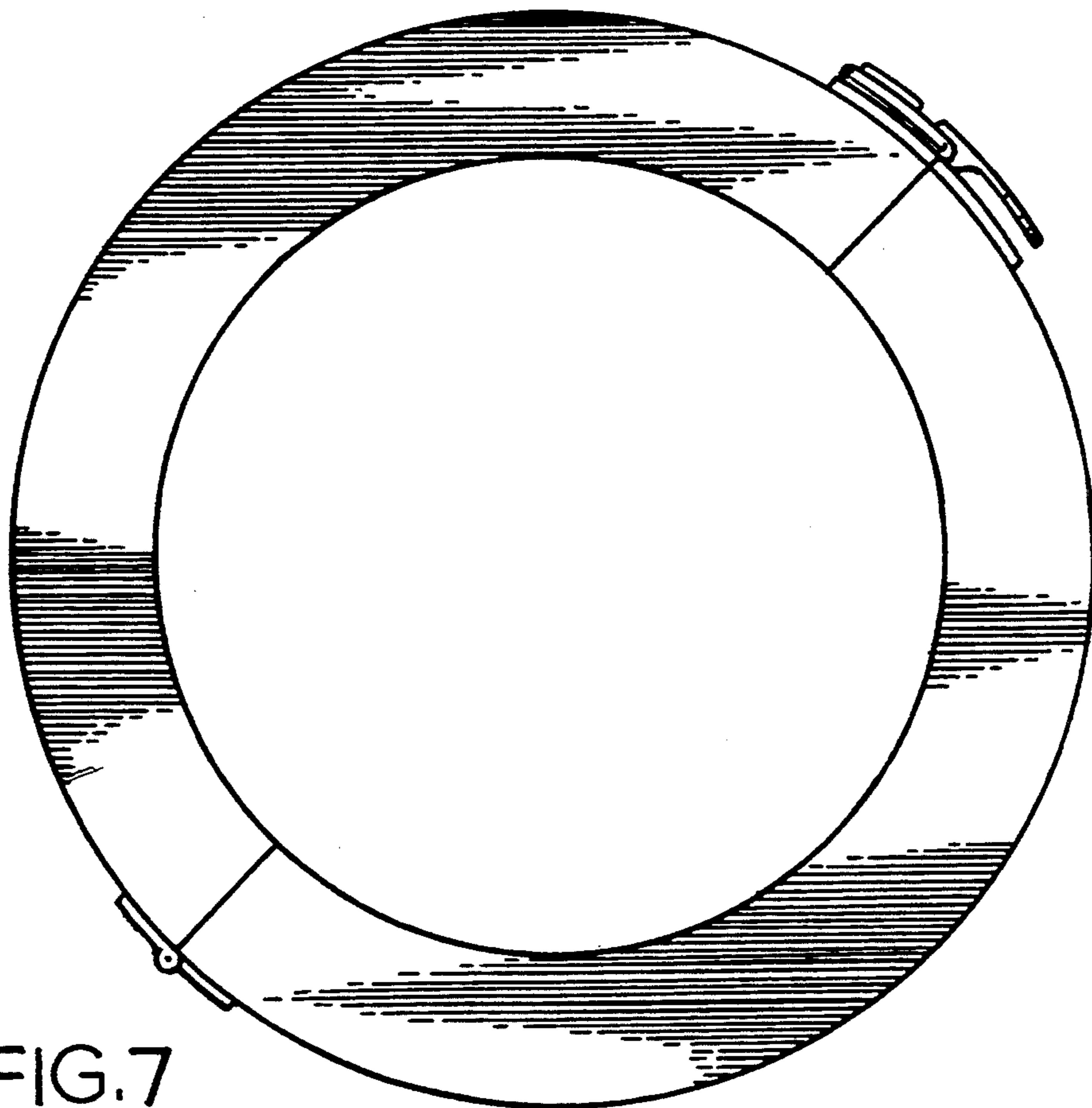


FIG. 7