



US00D350292S

# United States Patent [19]

[11] Patent Number: Des. 350,292

Taylor et al.

[45] Date of Patent: \*\* Sep. 6, 1994

## [54] SCOREBOARD

[76] Inventors: **Kelly Taylor**, 91 W. 1100 North, Layton, Utah 84041; **Barry D. Mower**, 3310 E. Twin Peaks Dr., Layton, Utah 84040

[\*\*] Term: **14 Years**

[21] Appl. No.: **11,291**

[22] Filed: **Jul. 30, 1993**

[52] U.S. Cl. .... **D10/46.1**

[58] Field of Search ..... 116/222-225; 235/90; 364/410, 411; 340/323 R; D10/46.1, 46, 94

## [56] References Cited

### U.S. PATENT DOCUMENTS

Re. 13,239	5/1911	Lindemeyer .	
D. 146,492	3/1947	Thompson .....	D21/5
D. 158,420	5/1950	Sullivan .....	D10/46.1
D. 290,267	6/1987	Jones .....	D10/46.1
170,627	11/1875	Harris .	
466,464	1/1892	Hood et al. .	
2,372,705	4/1945	Bicker .	
3,006,315	10/1961	Rothman .....	116/223
3,722,461	3/1973	Forman .....	116/223
3,777,699	12/1973	Pfleger .....	116/223
4,045,788	8/1977	Castelli et al. .	
4,097,855	6/1978	Salvo .	
4,858,920	8/1989	Best .	
4,904,981	2/1990	Mele et al. .	
4,956,775	9/1990	Klamer et al. .	

## OTHER PUBLICATIONS

Lifetime Products, Inc., "Double Shot," Product Brochure.  
 Lifetime Products, Inc., "Quarterback Challenge Model #9988," Product Brochure.  
 Triple Play Games, "Operation of the Electronic Score Keeper," Instructions.  
 Lifetime Products, Inc., "Shoot-n-Score Electronic Basketball Scoreboard," Product Brochure.  
 Taliq Corporation, "Varilite Color Displays," Product Brochure.  
 Jaguar Technologies, Ltd., "Hoop Score The Official Scorekeeper of Driveway Basketball Model JH 1000," Product Brochure.  
 Jaguar Technologies, Ltd., "Hoop Score The Official Scorekeeper of Driveway Basketball Model JH1000," Instruction Manual.

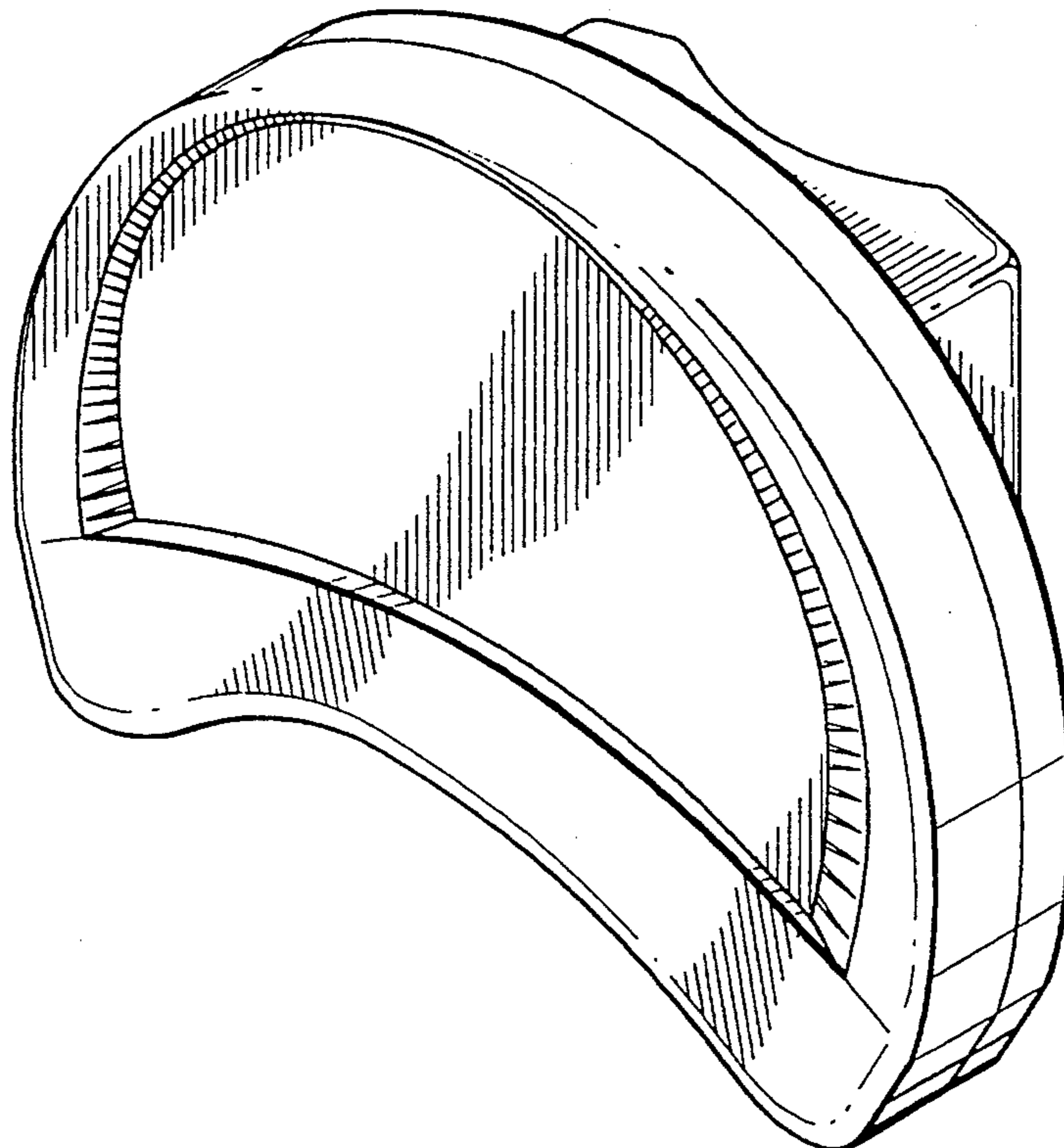
*Primary Examiner*—Prabhakar G. Deshmukh  
*Attorney, Agent, or Firm*—Madson & Metcalf

## [57] CLAIM

The ornamental design for a scoreboard, as shown and described.

## DESCRIPTION

FIG. 1 is a perspective view of a scoreboard showing our new design;  
 FIG. 2 is a front view thereof;  
 FIG. 3 is a rear view thereof;  
 FIG. 4 is a bottom plan view thereof;  
 FIG. 5 is a top plan view thereof; and,  
 FIG. 6 is a side view thereof.



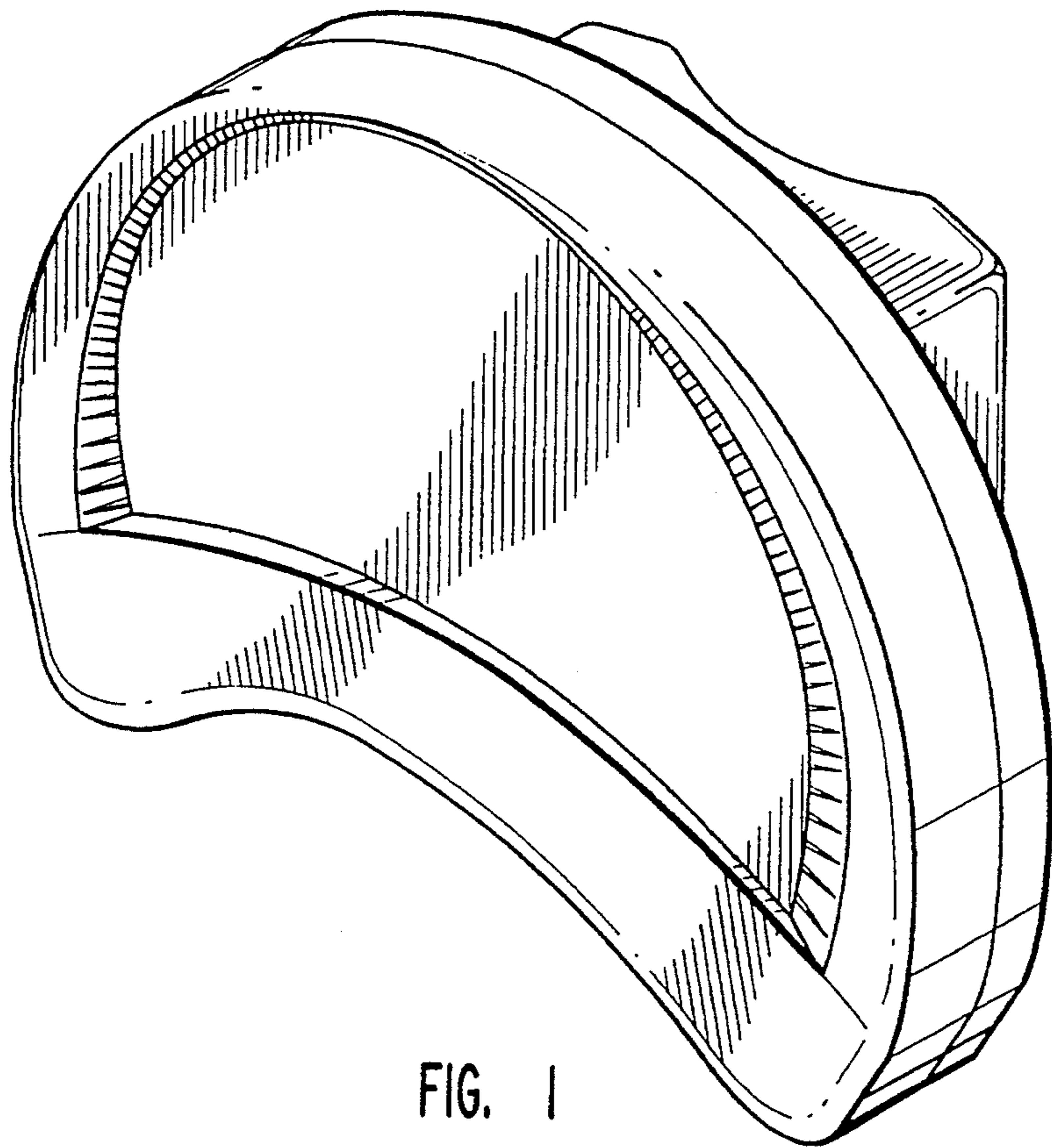


FIG. 1

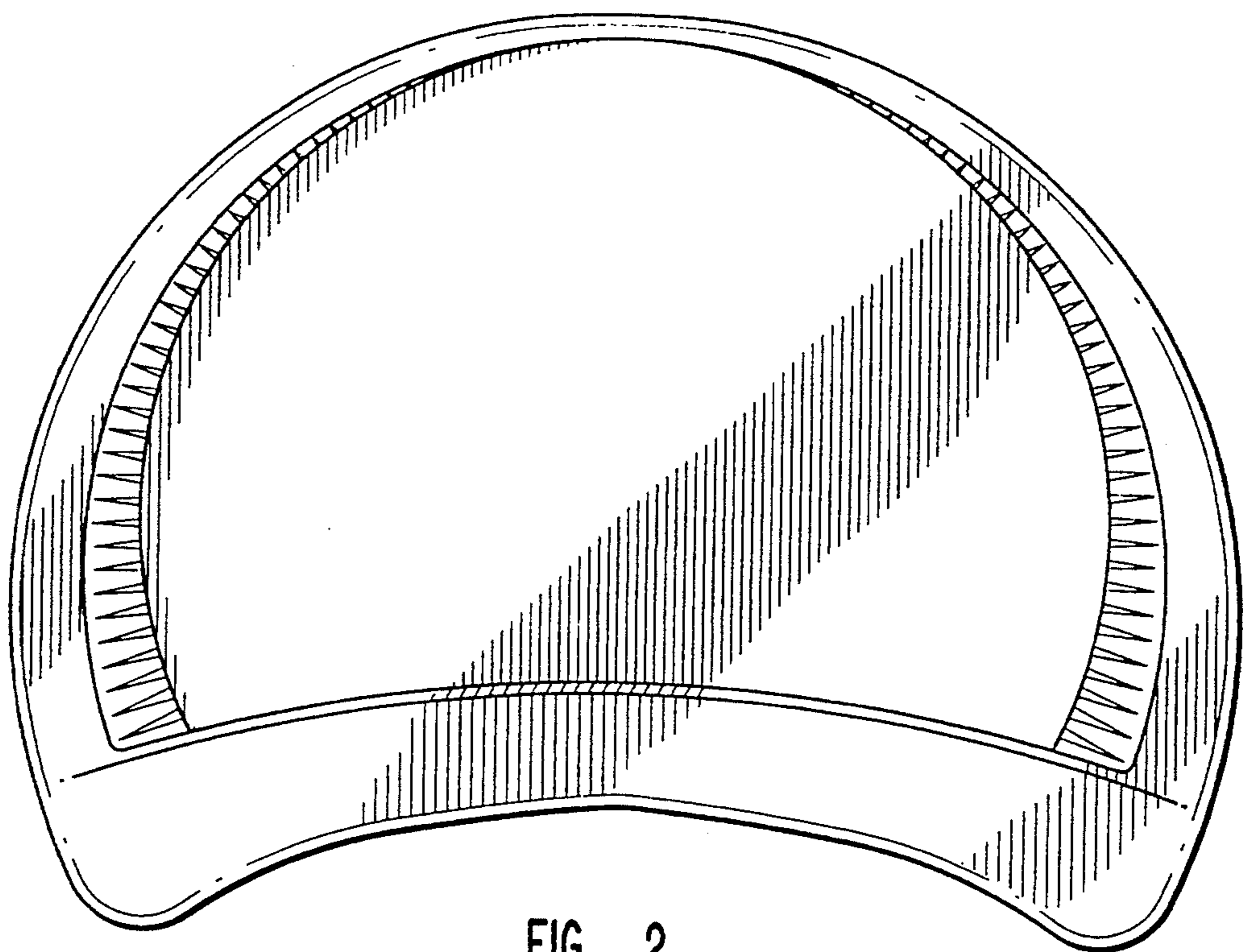


FIG. 2

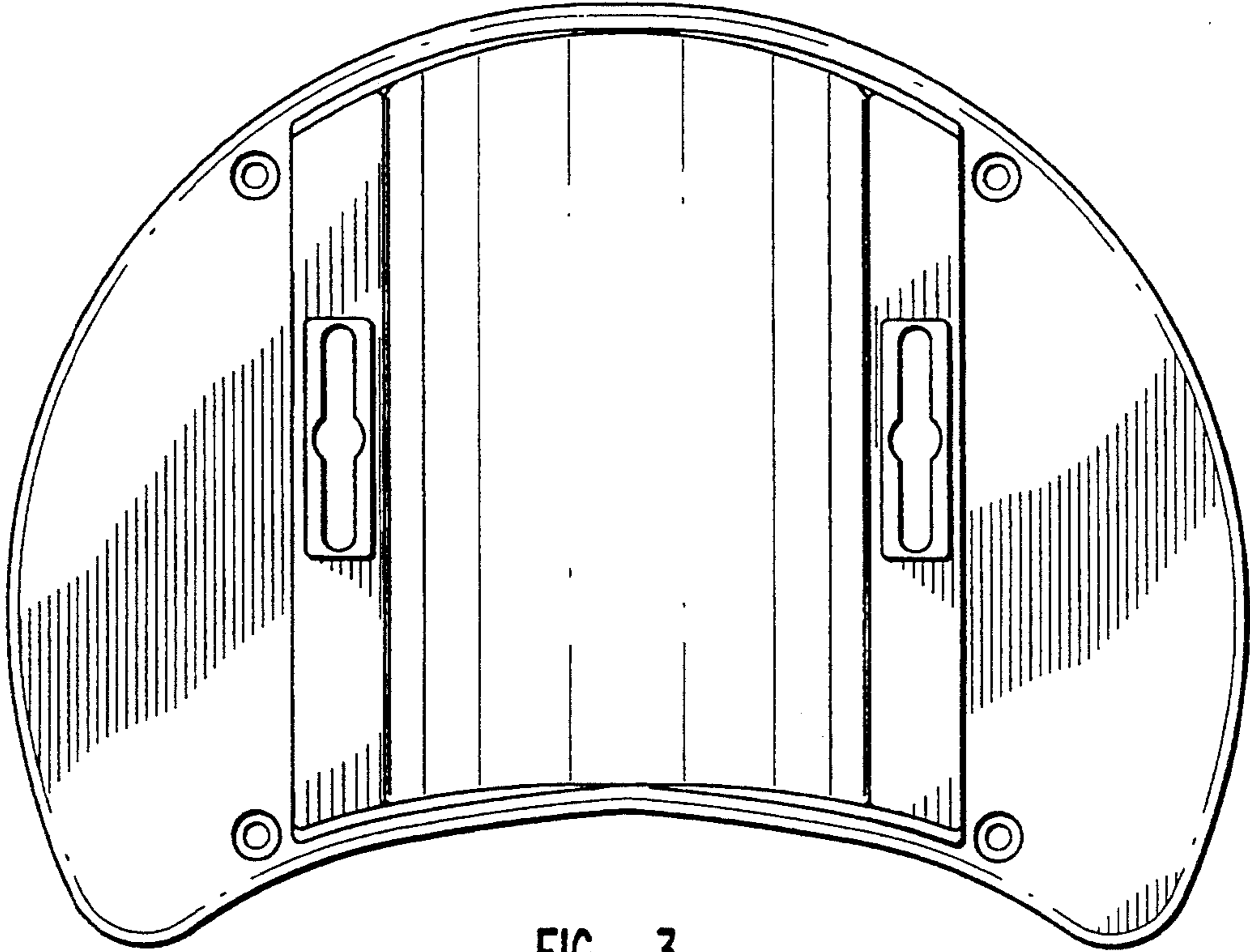


FIG. 3



FIG. 4

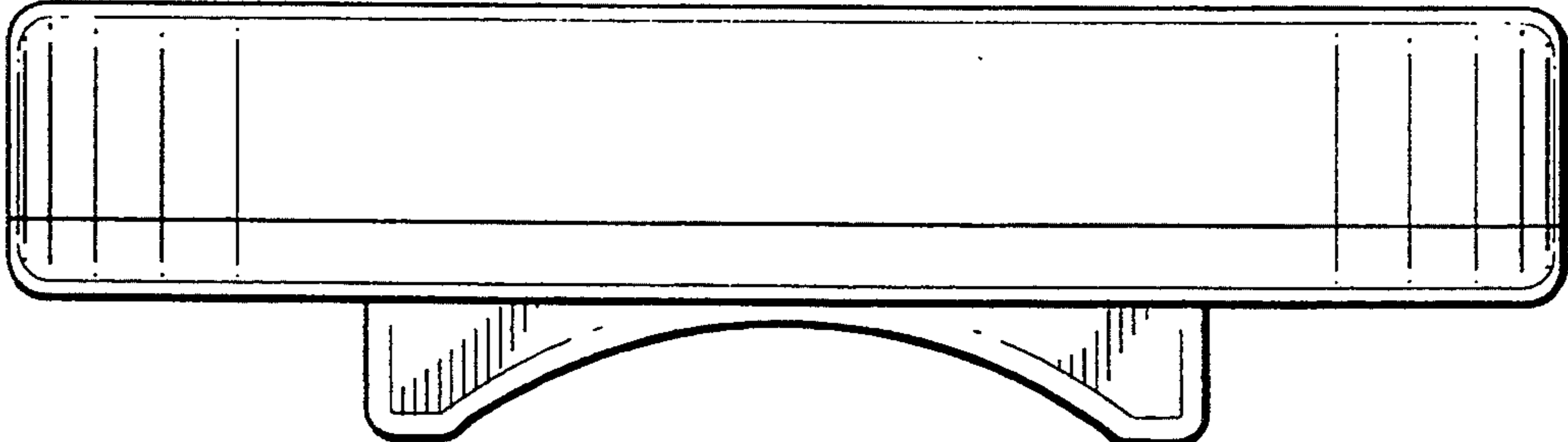


FIG. 5

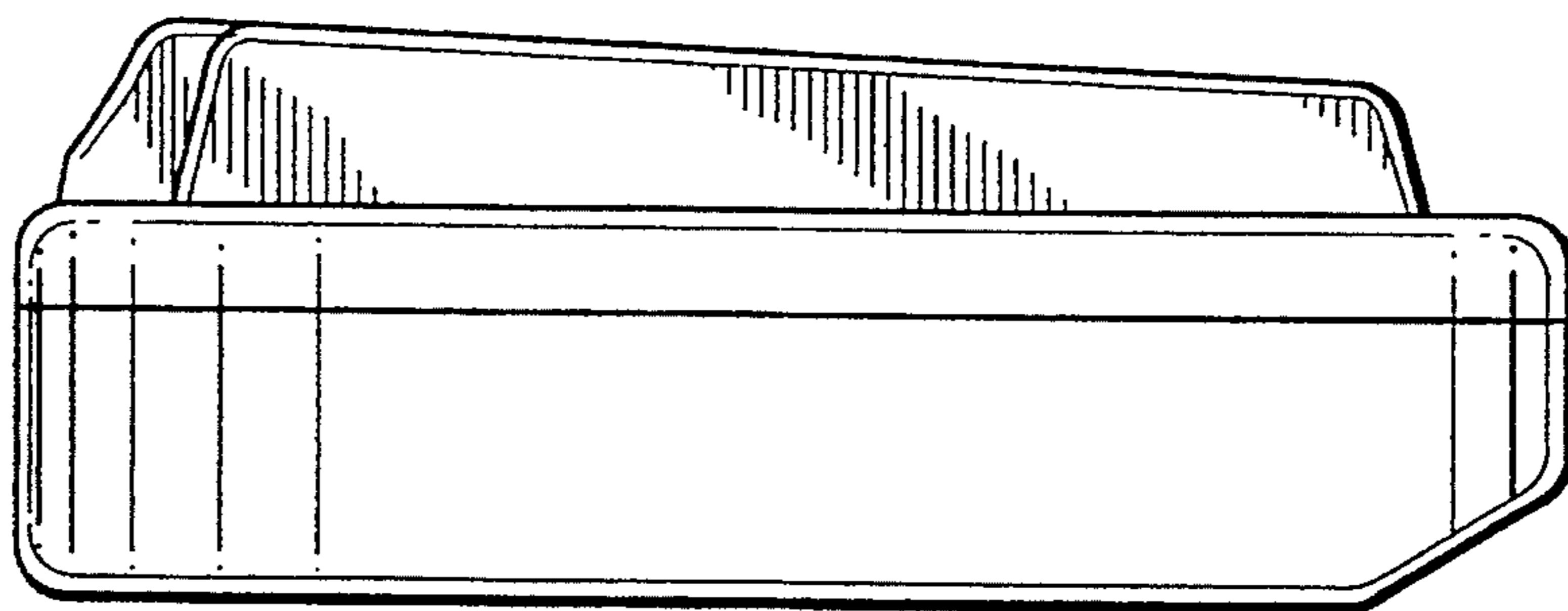


FIG. 6