



US00D350291S

United States Patent [19]

[11] Patent Number: **Des. 350,291**

Burgener

[45] Date of Patent: **** Sep. 6, 1994**

[54] WATCH

4,748,603 5/1988 Ray 368/223

[75] Inventor: **Eddy Burgener, Moutier, Switzerland**

OTHER PUBLICATIONS

[73] Assignee: **Vuarnet Watches S.A., Collonge-Bellerive, Switzerland**

Swiss Watch & Jewelry Journal—Feb. 1989—p. 243—watches.

[**] Term: **14 Years**

Swiss Watch & Jewelry Journal—Feb. 1988 p. 171—watches.

[21] Appl. No.: **854,953**

Jeweler's Circular—Keystone—Oct. 1985—p. 124—watch at top left.

[22] Filed: **Mar. 19, 1992**

Primary Examiner—Nelson C. Holtje
Attorney, Agent, or Firm—McGlew and Tuttle

[30] Foreign Application Priority Data

[57] CLAIM

Sep. 25, 1991 [XH] Hague DM/020742

The ornamental design for a watch, as shown and described.

[52] U.S. Cl. **D10/39; D10/30**

[58] Field of Search 368/223, 228-229, 368/280-282, 288; D10/1-40, 122-137

DESCRIPTION

[56] References Cited

U.S. PATENT DOCUMENTS

D. 267,237	12/1982	Kanoni	D10/39
D. 286,755	11/1986	Manfredi	D10/39
D. 303,770	10/1989	Woomer	D10/39
D. 317,128	5/1991	Benson	D10/32
D. 317,871	7/1991	Applegate	D10/30
D. 327,653	7/1992	Versace	D10/32
D. 331,707	12/1992	Iwata	D10/30
D. 333,621	3/1993	Grädel	D10/30
D. 336,616	6/1993	Gueit	D10/39

FIG. 1 is a top plan view of my new watch design; FIG. 2 is a bottom plan view of the watch design according to FIG. 1;

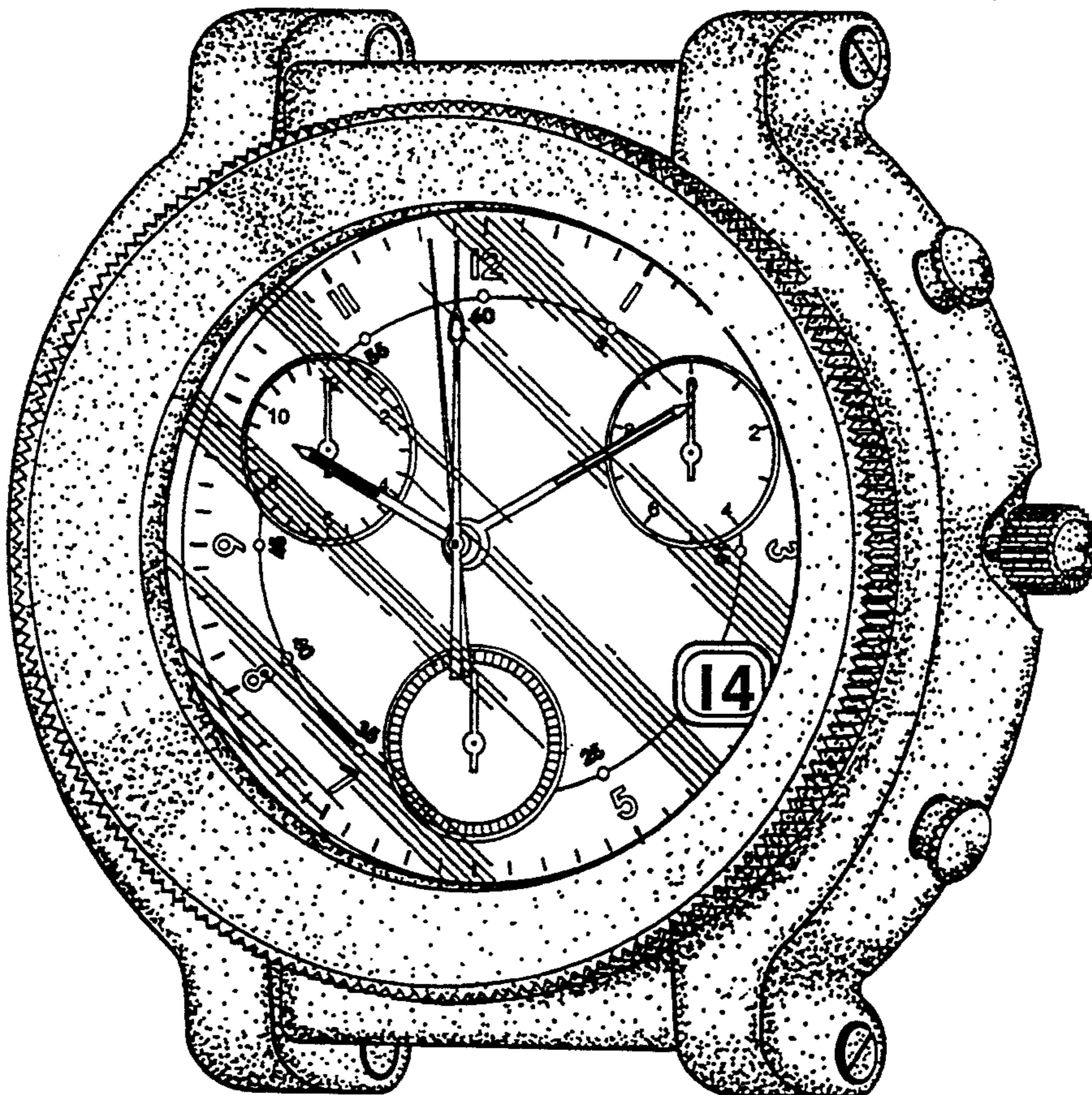
FIG. 3 is a front end view of the watch design of FIG. 1;

FIG. 4 is a rear end view of the watch design of FIG. 1;

FIG. 5 is a right side view of the watch design of FIG. 1;

FIG. 6 is a left side view of the watch design of FIG. 1; and,

FIG. 7 is a right front perspective view of the watch design of FIG. 1.



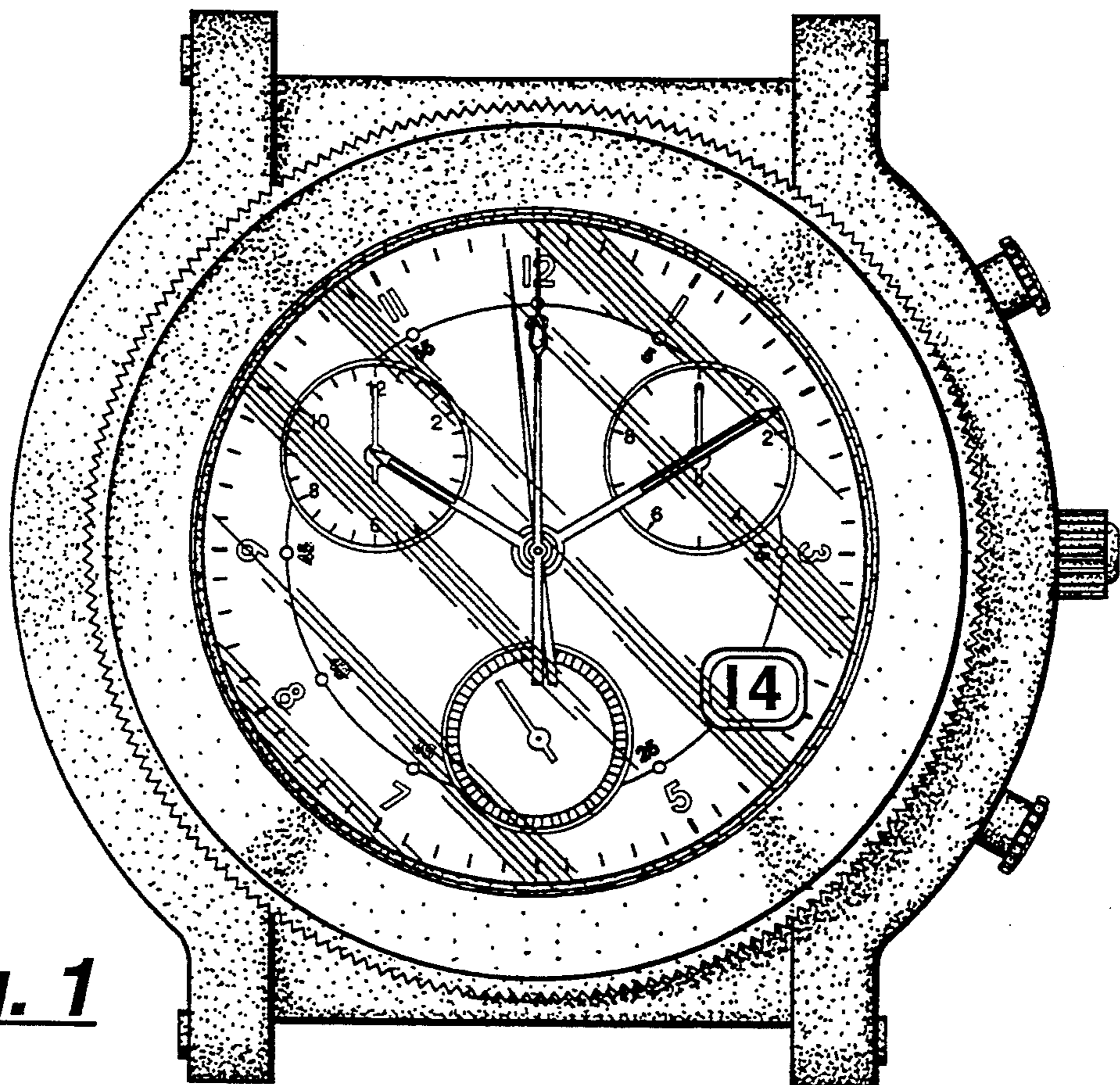


Fig. 1

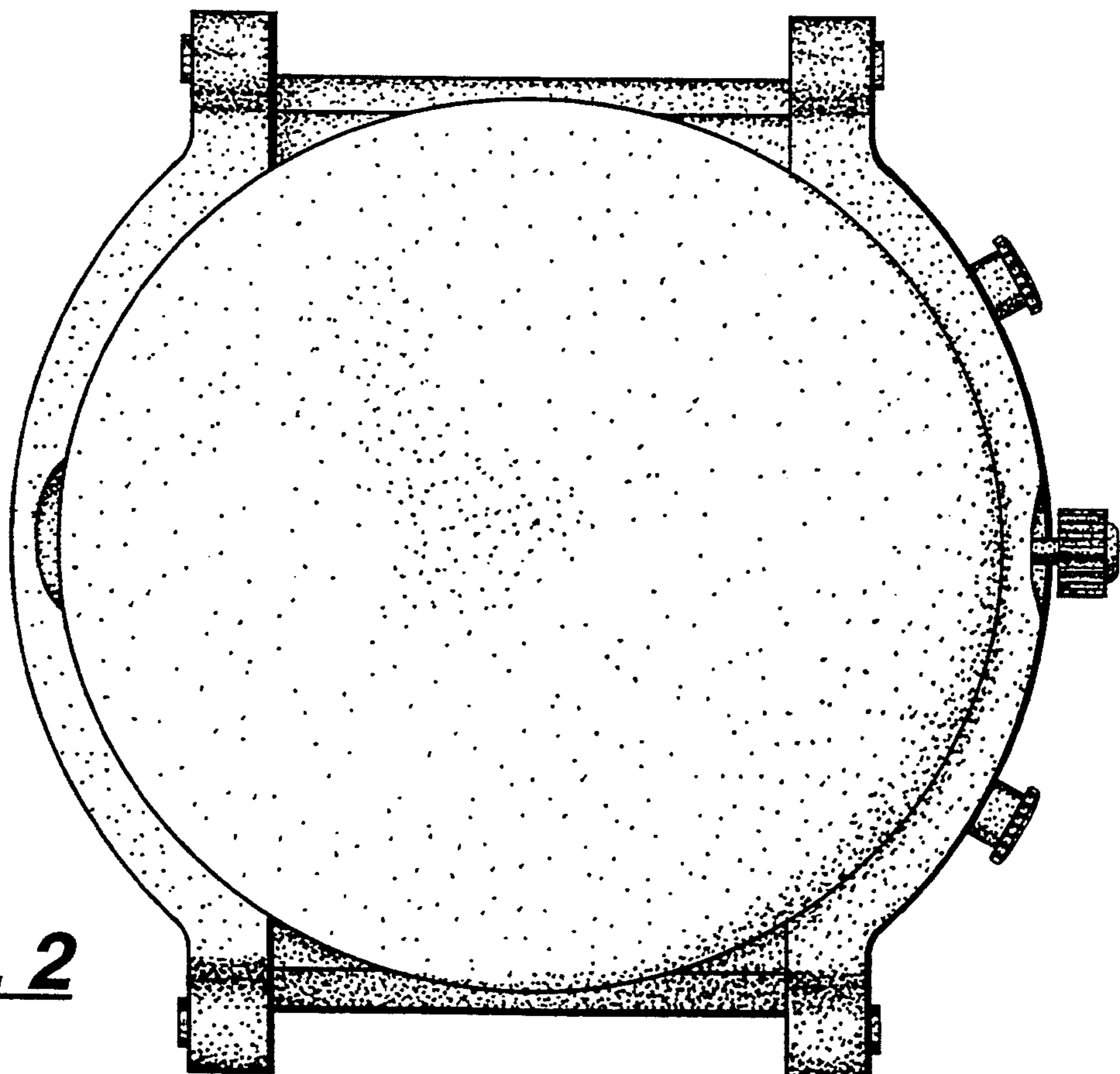


Fig. 2

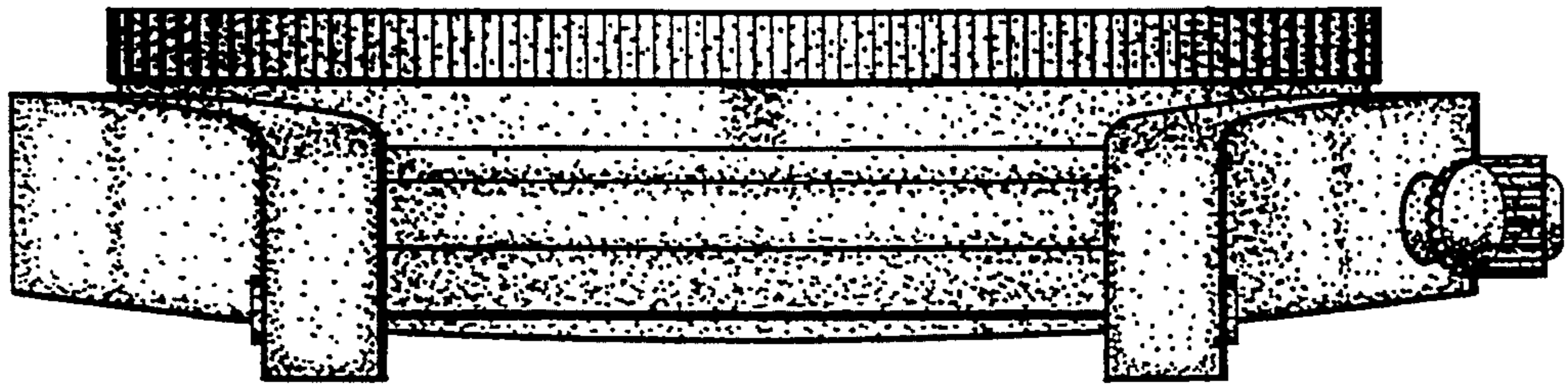


Fig. 3

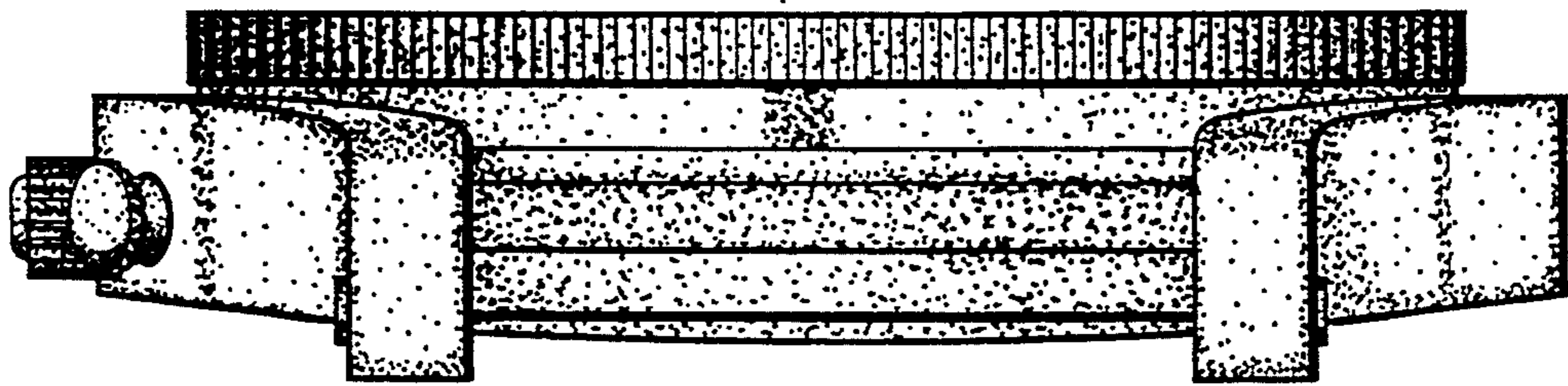


Fig. 4

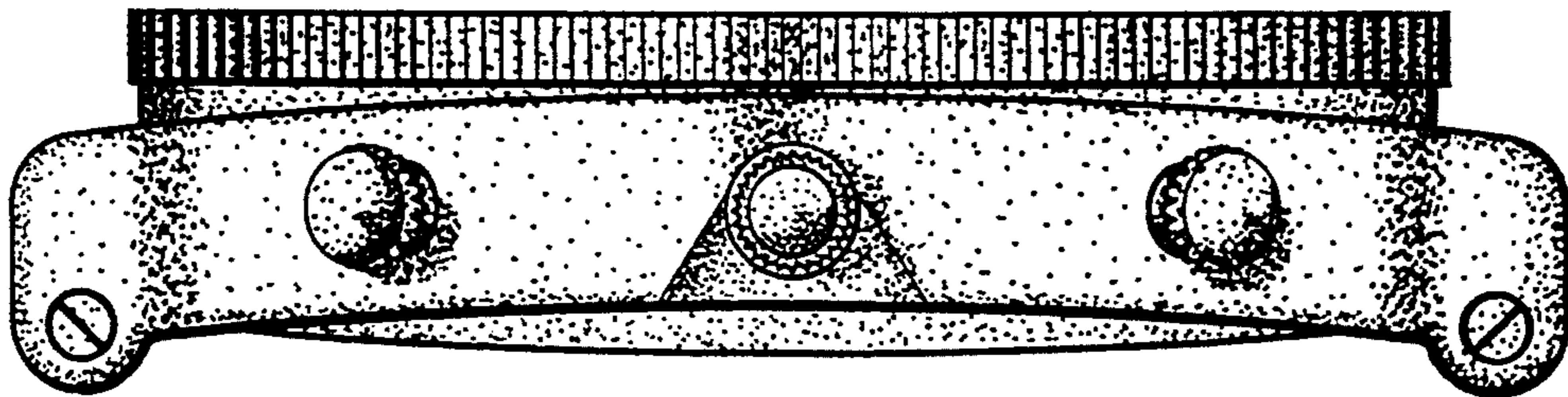


Fig. 5

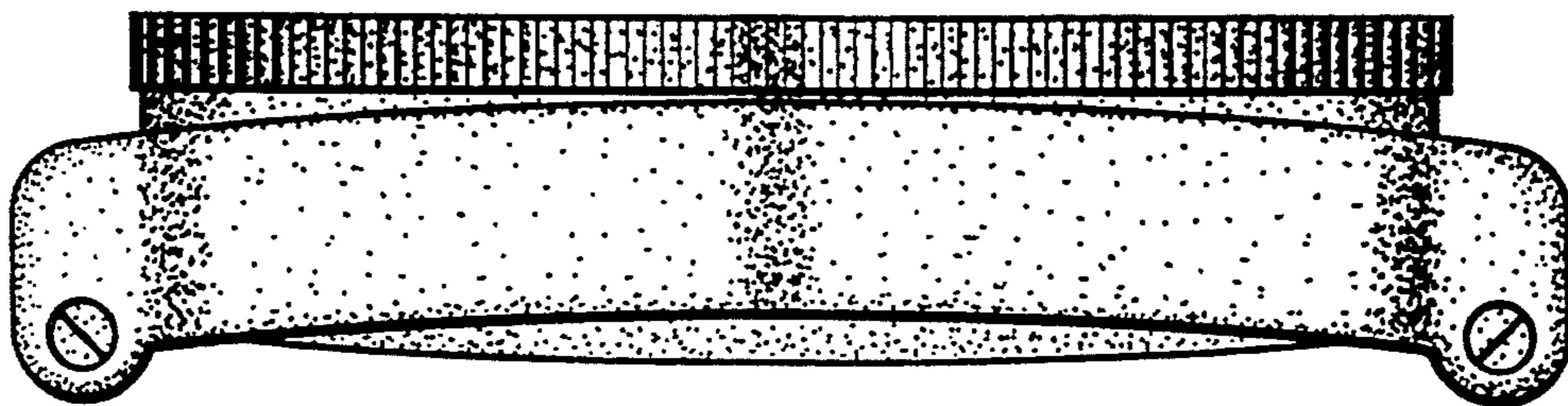


Fig. 6

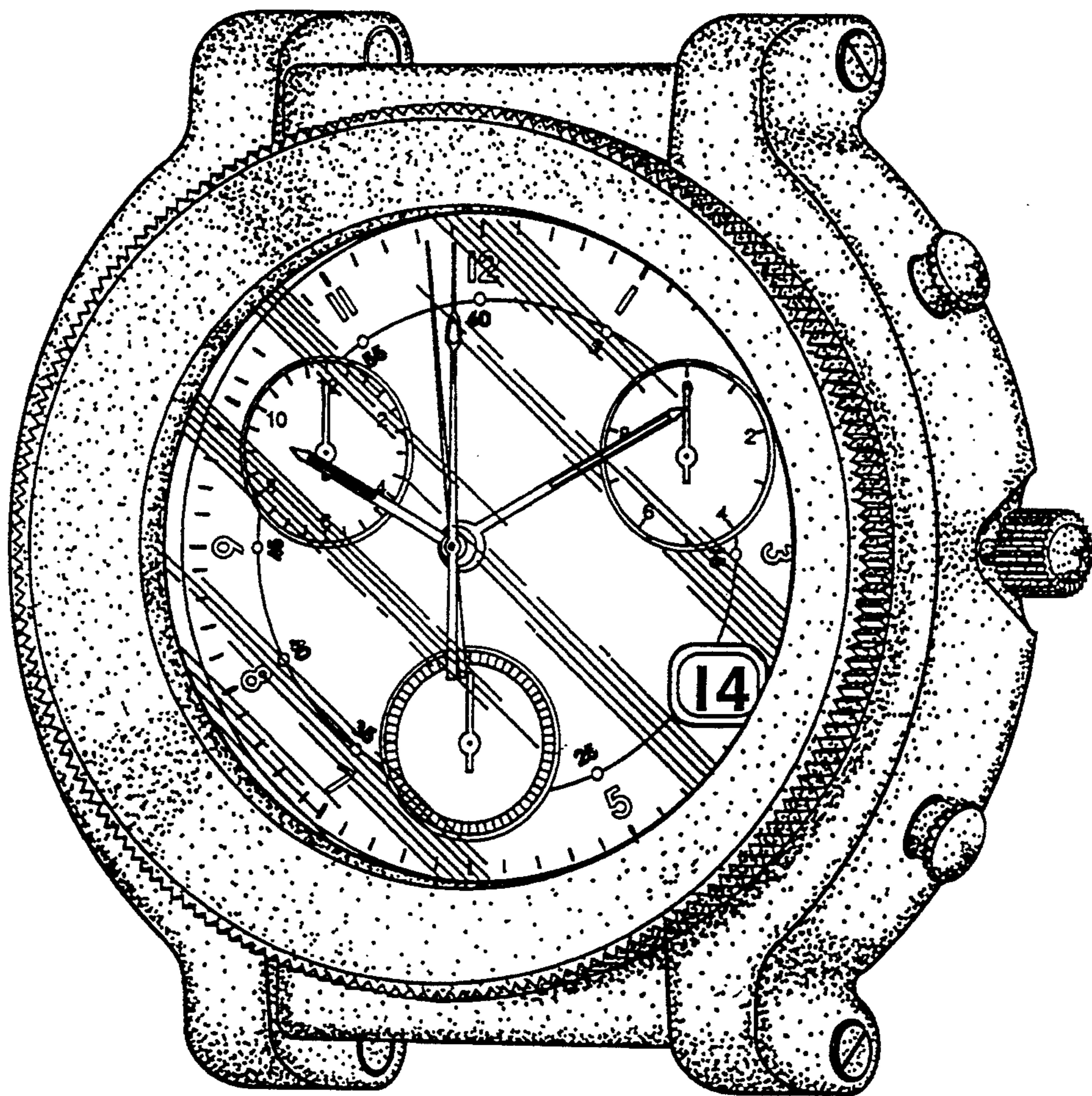


Fig. 7