



US00D350284S

United States Patent [19]

[11] Patent Number: **Des. 350,284**

Ran

[45] Date of Patent: **** Sep. 6, 1994**

[54] CARRYING CONTAINER

[75] Inventor: **Sun J. Ran**, Taipei Hsien, Taiwan

[73] Assignee: **Youfu Kou Chao Industrial Co., Ltd.**,
Taipei Hsien, Taiwan

[**] Term: **14 Years**

[21] Appl. No.: **9,209**

[22] Filed: **Jun. 8, 1993**

[52] U.S. Cl. **D9//308; D21/78**

[58] Field of Search **D9/308, 414; 222/8;**
446/470; 206/457; D21/76, 78

[56] References Cited

U.S. PATENT DOCUMENTS

D. 220,198 3/1971 Clauser D9/308 X
4,646,959 3/1987 Sheffer D9/308 X

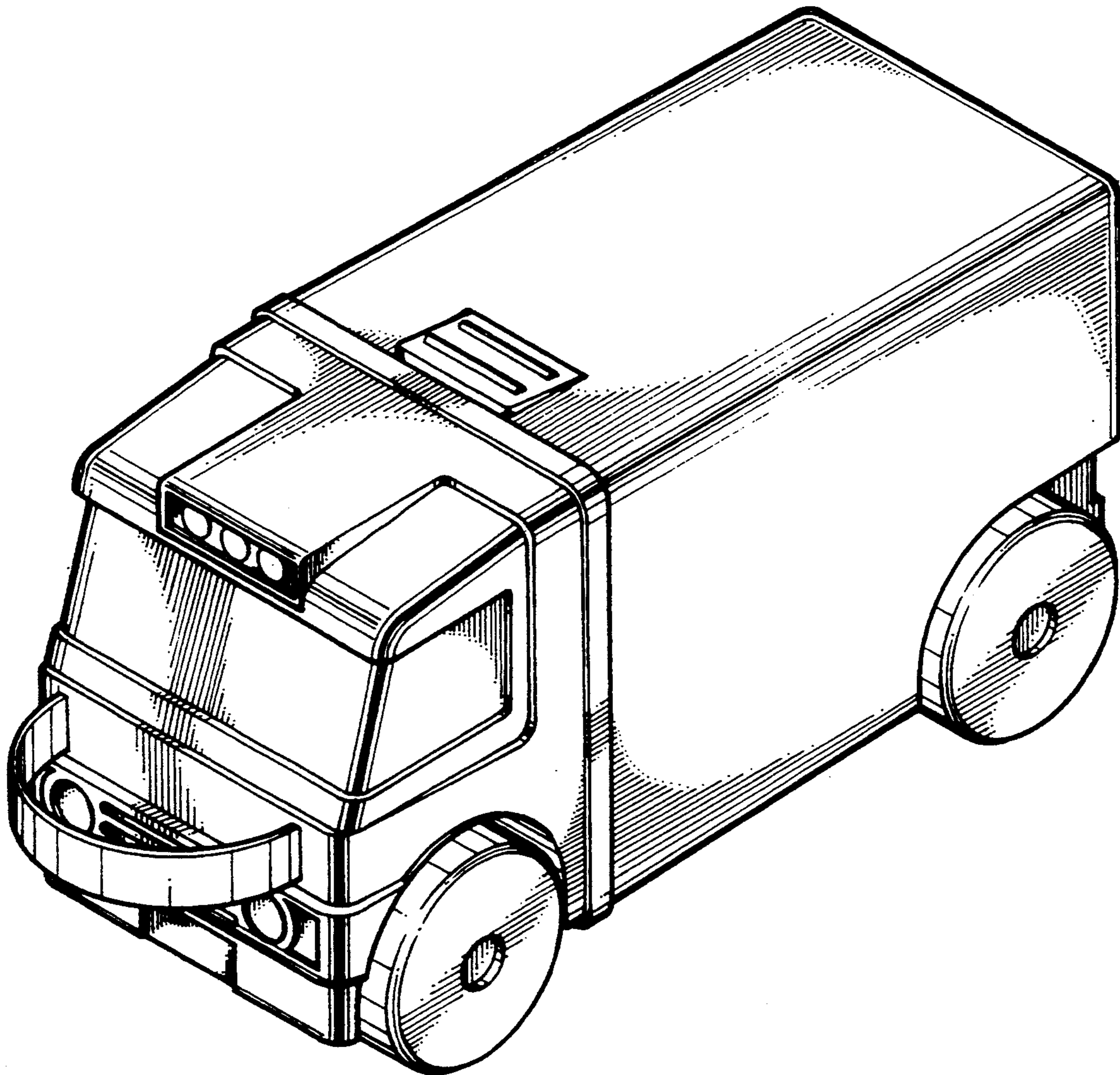
Primary Examiner—Bernard Ansher
Assistant Examiner—M. Siegel
Attorney, Agent, or Firm—Lowe, Price, LeBlanc &
Becker

[57] CLAIM

The ornamental design for carrying container, as shown and described.

DESCRIPTION

FIG. 1 is a front elevational view of a carrying container showing my new design;
FIG. 2 is a rear elevational view thereof;
FIG. 3 is a right side elevational view thereof, the undisclosed opposite side being a mirror image thereof;
FIG. 4 is a top view thereof;
FIG. 5 is a bottom view thereof; and,
FIG. 6 is a perspective view thereof.



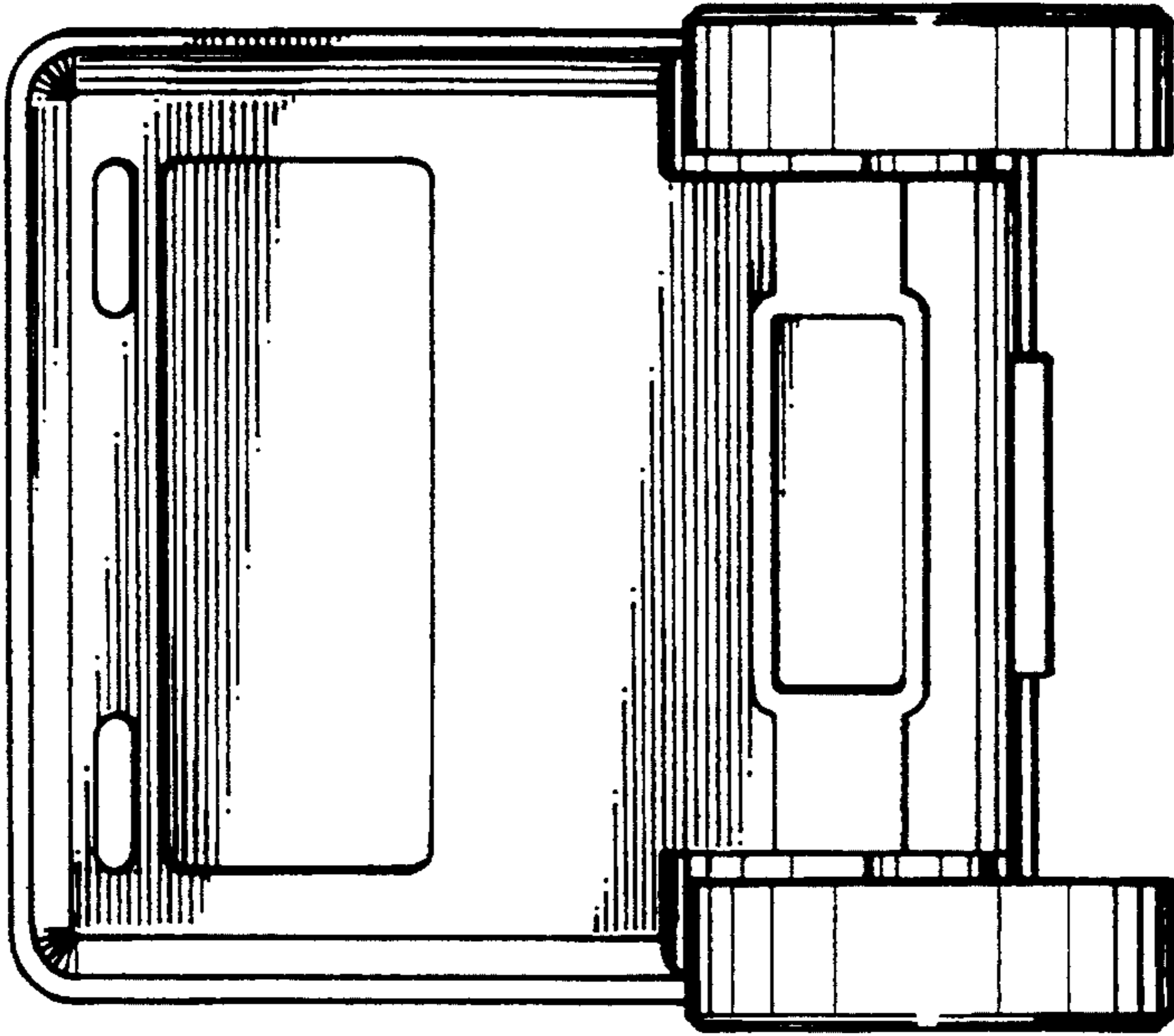


FIG. 1

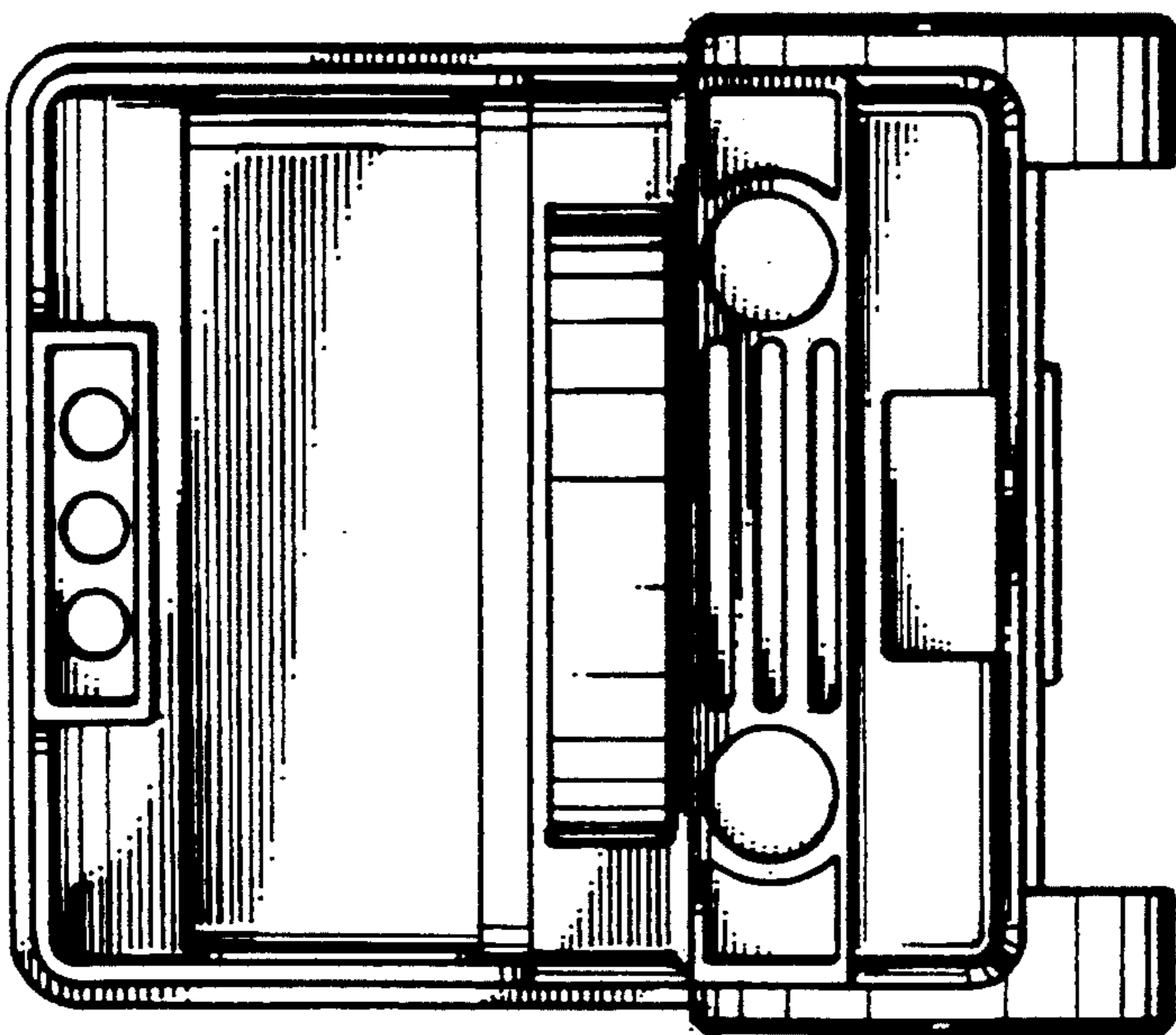


FIG. 2

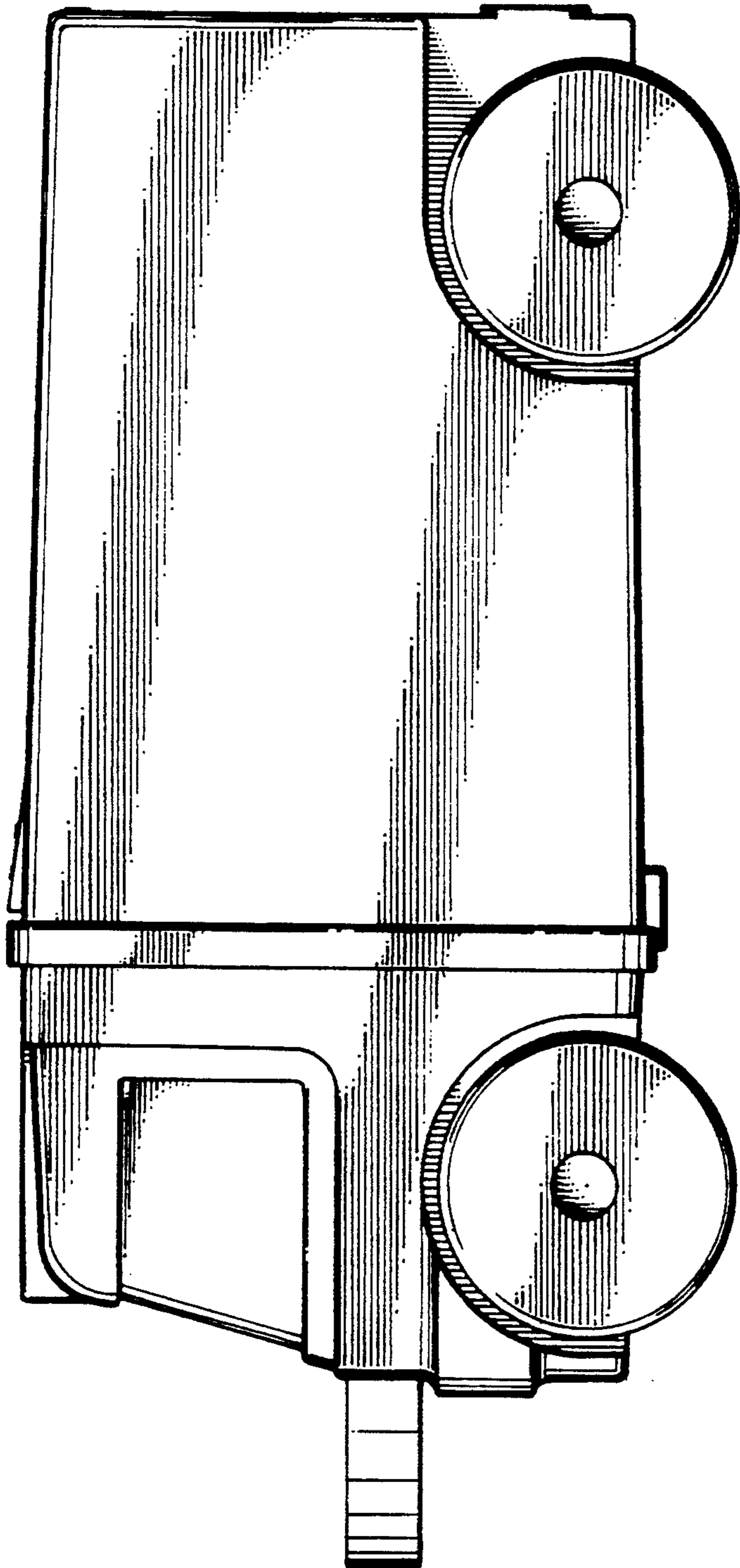


FIG. 3

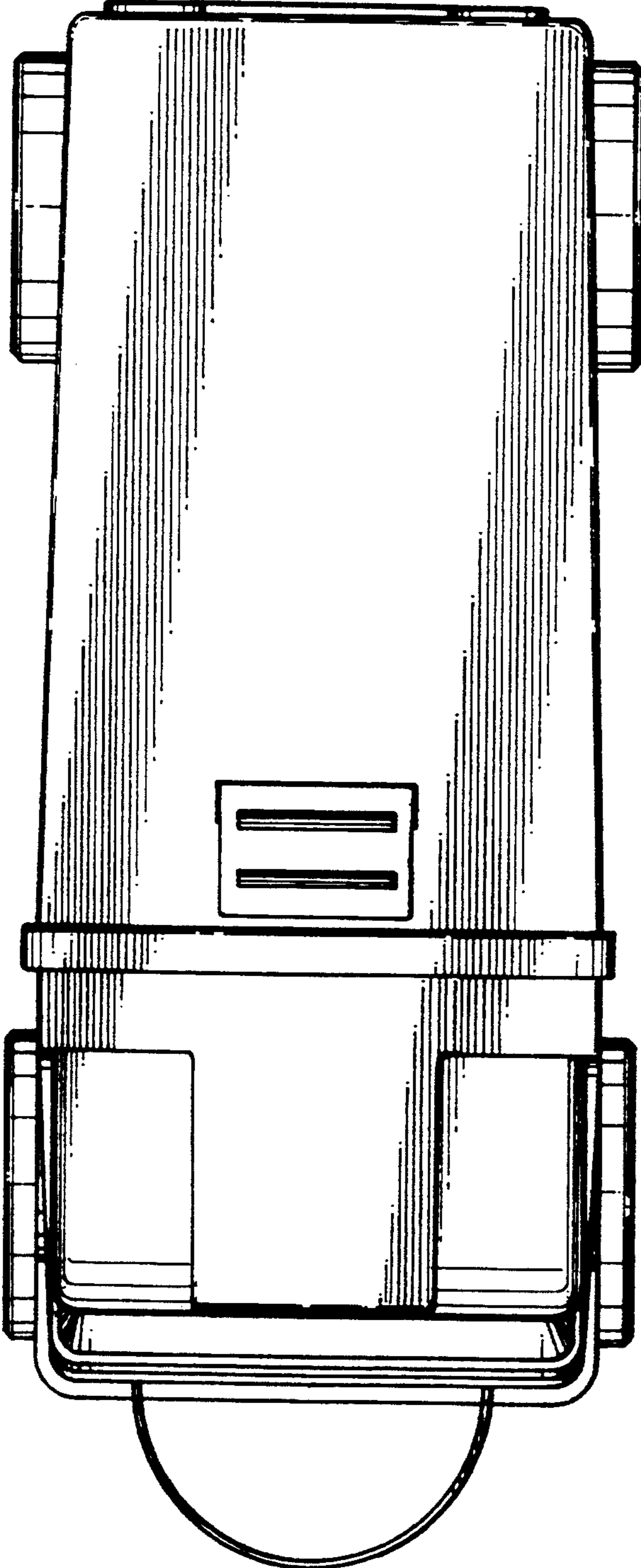


FIG.4

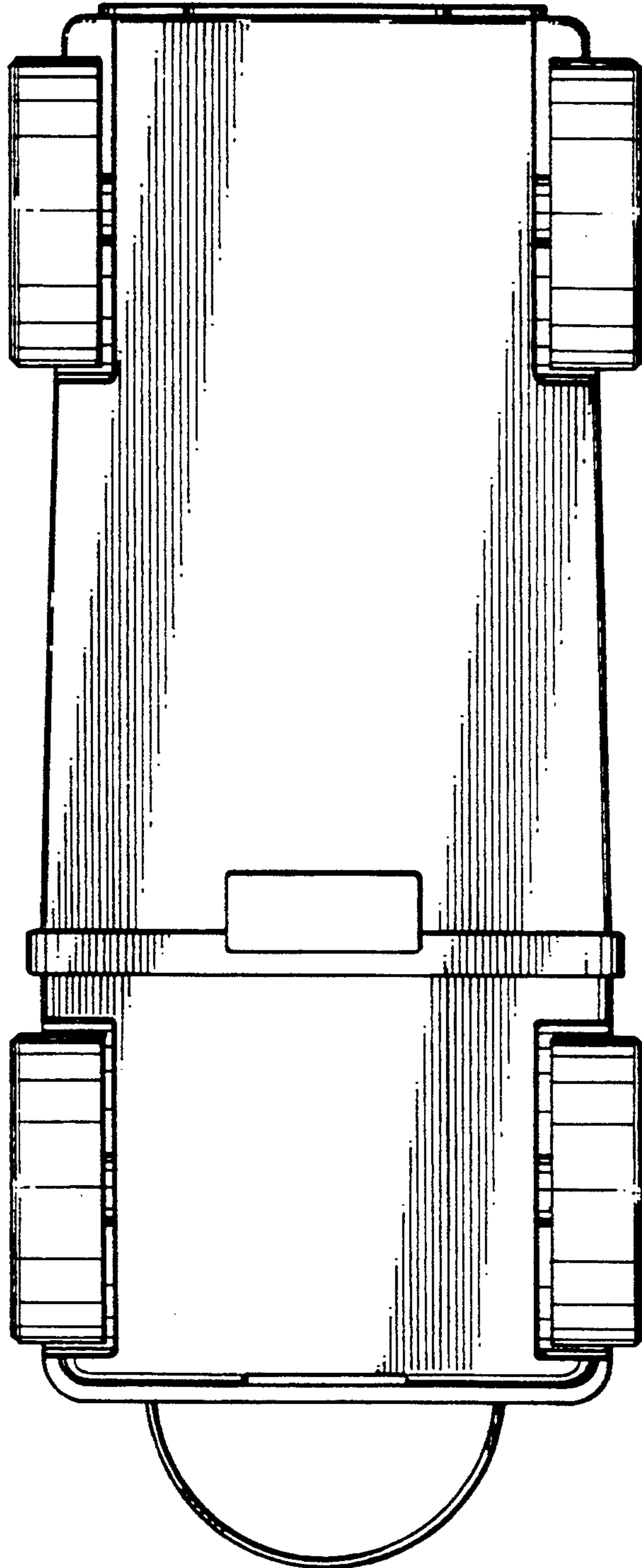


FIG. 5

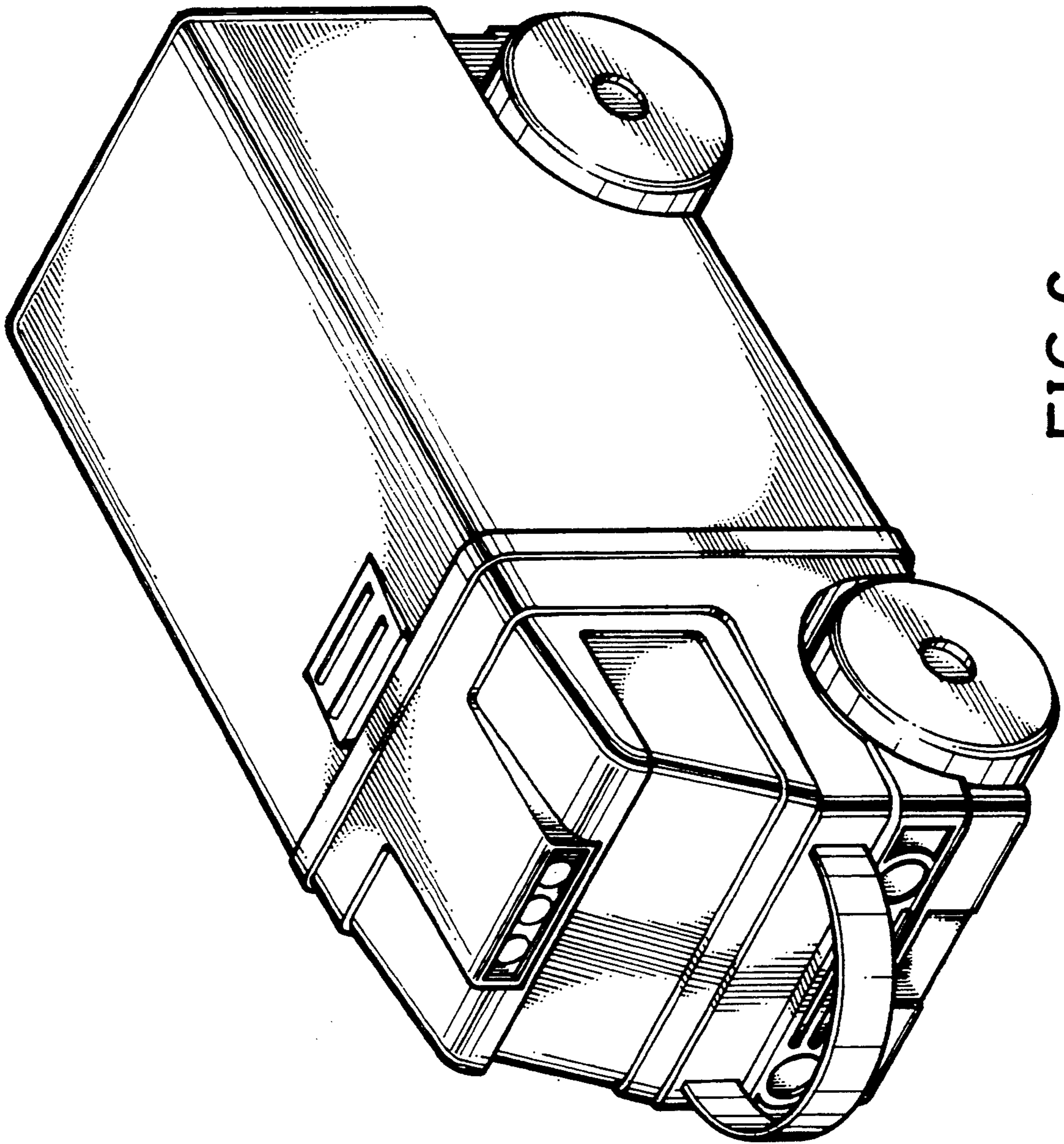


FIG.6