



US00D350275S

# United States Patent [19]

[11] Patent Number: **Des. 350,275**

Olsen et al.

[45] Date of Patent: **\*\* Sep. 6, 1994**

[54] **SASH LOCK**

[57] **CLAIM**

[75] Inventors: **Carl J. Olsen**, Hudson, Wis.; **William L. Zemke**, Forest Lake, Minn.

The ornamental design for a sash lock, as shown and described.

[73] Assignee: **Andersen Corporation**, Bayport, Minn.

### DESCRIPTION

[\*\*] Term: **14 Years**

FIG. 1 is a top, rear, and right side perspective view of a sash lock showing our new design;

[21] Appl. No.: **4,389**

FIG. 2 is a top plan view thereof;

[22] Filed: **Feb. 4, 1993**

FIG. 3 is a right side elevational view thereof;

[52] U.S. Cl. .... **D8/338**

FIG. 4 is a top, front, and left side perspective view of the front portion thereof;

[58] Field of Search ..... **D8/336-338;**  
70/89-90; 292/194, 240-241, DIG. 20, DIG. 47

FIG. 5 is a right side elevational view of the front portion thereof;

[56] **References Cited**

#### U.S. PATENT DOCUMENTS

D. 215,080	9/1969	Ahlgren .....	D8/337
D. 268,643	4/1983	Anderson .....	D8/337
D. 293,548	1/1988	Bates et al. ....	D8/337
D. 296,982	8/1988	White et al. ....	D8/337
D. 315,542	6/1864	Wilkinson .....	292/240 X
D. 316,509	4/1991	Nolte .....	D8/337
423,761	3/1890	Hasenpflug .	
661,404	11/1900	Hubbard .	
1,651,048	11/1927	Talbot .	
1,901,974	3/1933	Macy .	
2,506,879	5/1959	Lieb .....	292/241
4,223,930	9/1980	Costello et al. ....	292/346

FIG. 6 is a left side elevational view of the front portion thereof;

FIG. 7 is a top plan view of the front portion thereof;

FIG. 8 is a bottom plan view of the front portion thereof;

FIG. 9 is a rear elevational view of the front portion thereof;

FIG. 10 is a front elevational view of the front portion thereof;

FIG. 11 is a top, front, and right side perspective view of the rear portion thereof;

FIG. 12 is a left side elevational view of the rear portion thereof;

FIG. 13 is a right side elevational view of the rear portion thereof;

FIG. 14 is a top plan view of the rear portion thereof;

FIG. 15 is a bottom plan view of the rear portion thereof;

FIG. 16 is a front elevational view of the rear portion thereof; and,

FIG. 17 is a rear elevational view of the rear portion thereof.

*Primary Examiner*—Brian N. Vinson  
*Attorney, Agent, or Firm*—Merchant, Gould, Smith, Edell, Welter & Schmidt

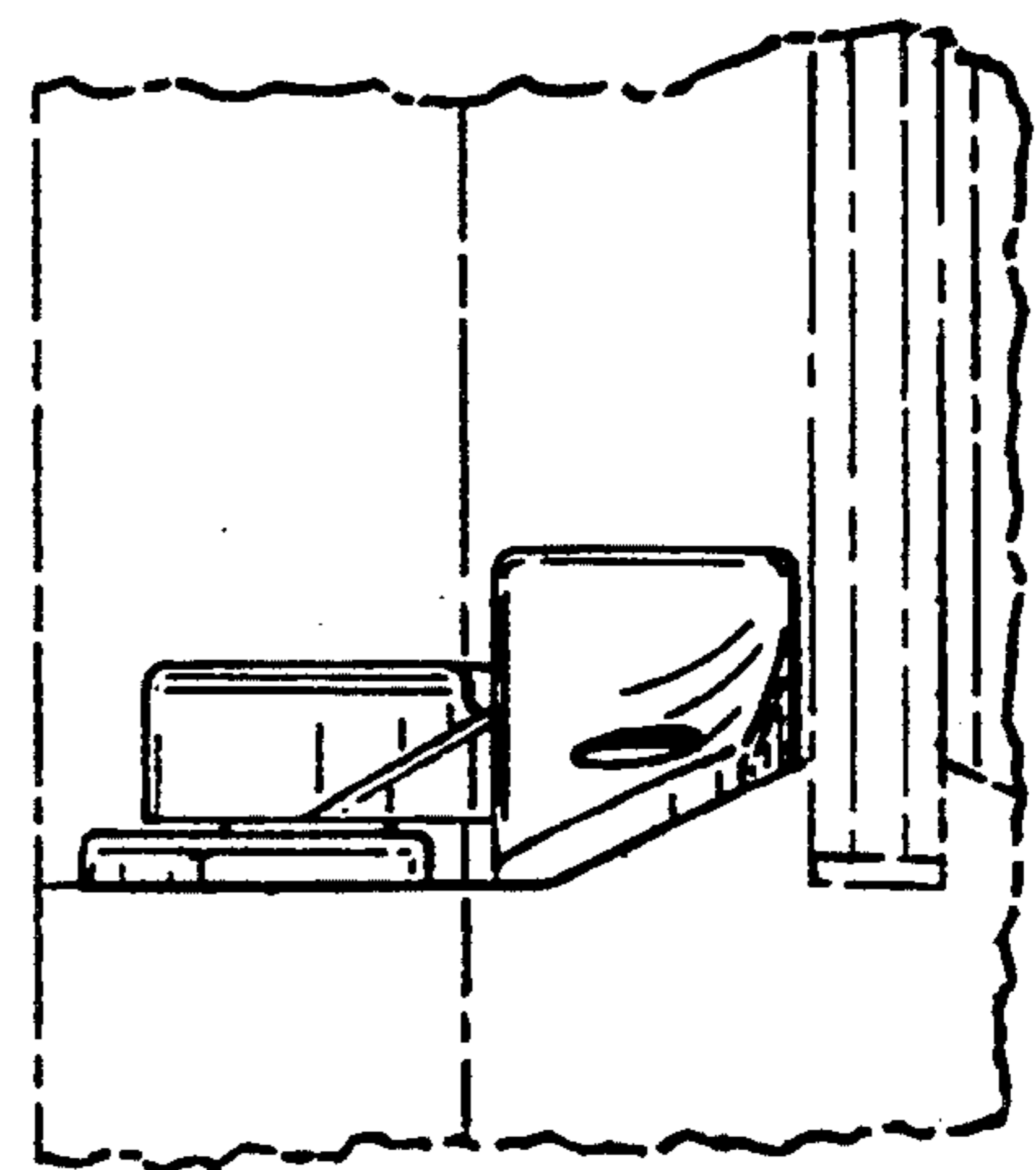
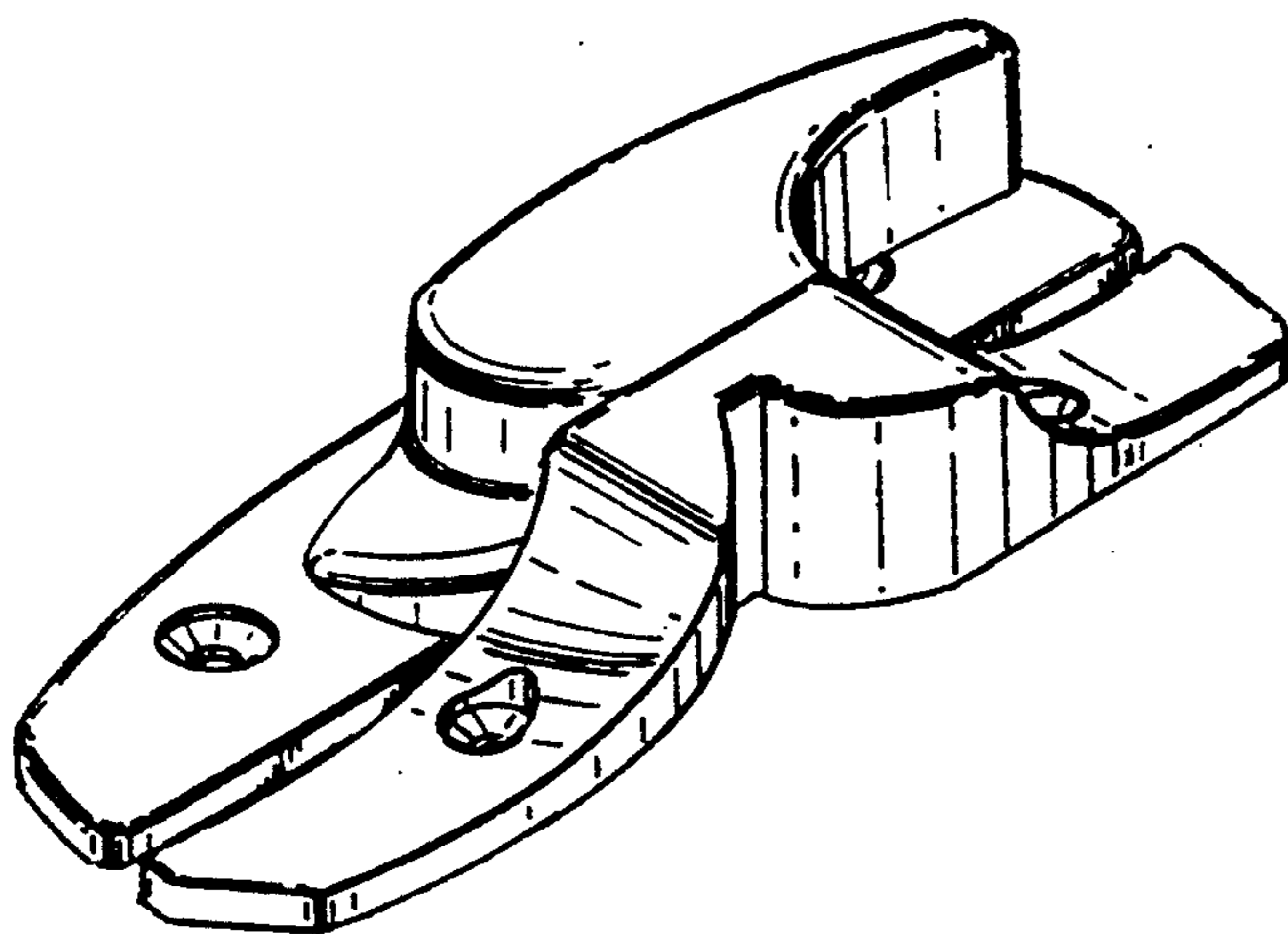


FIG. 4

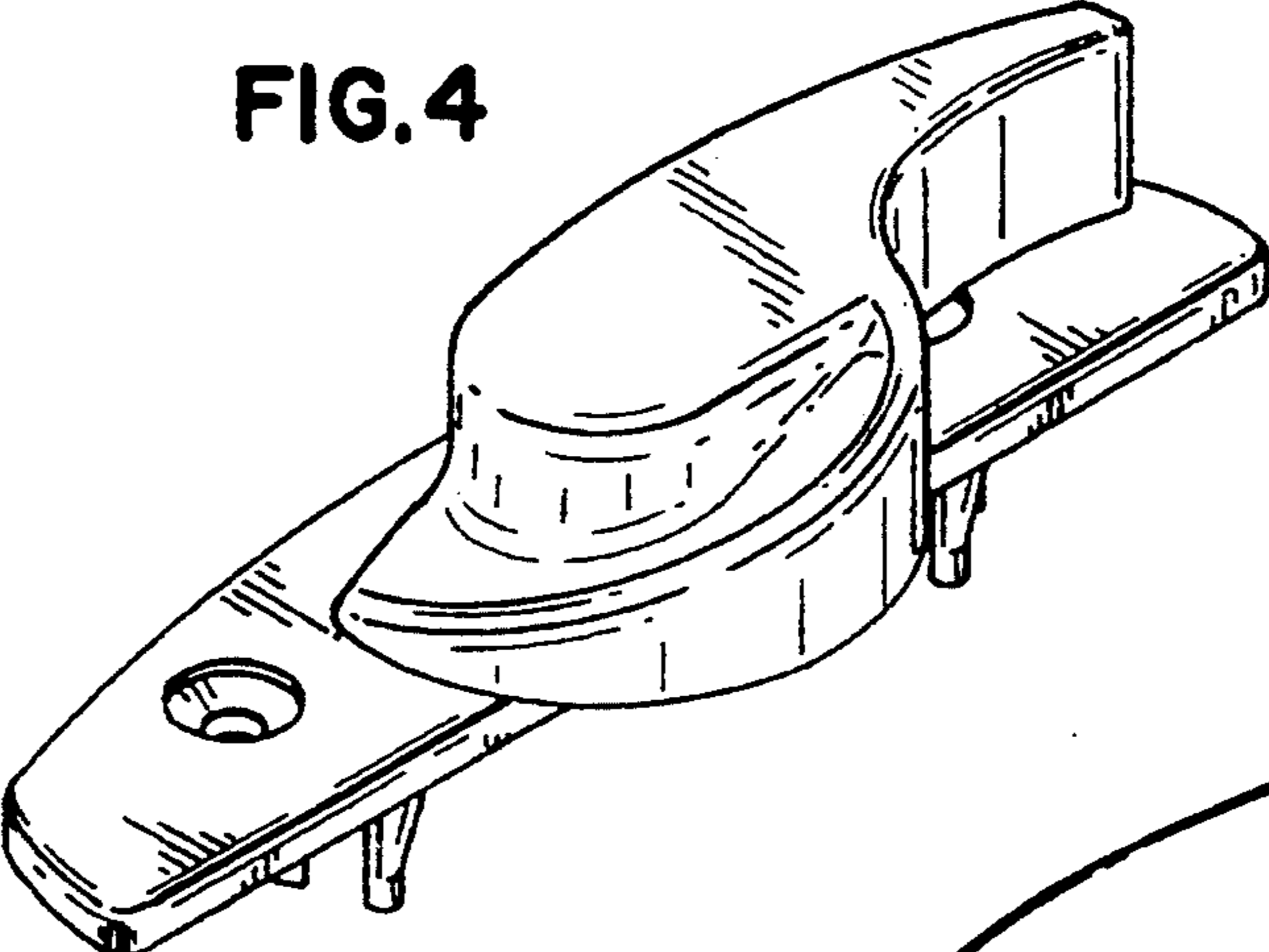


FIG. 1

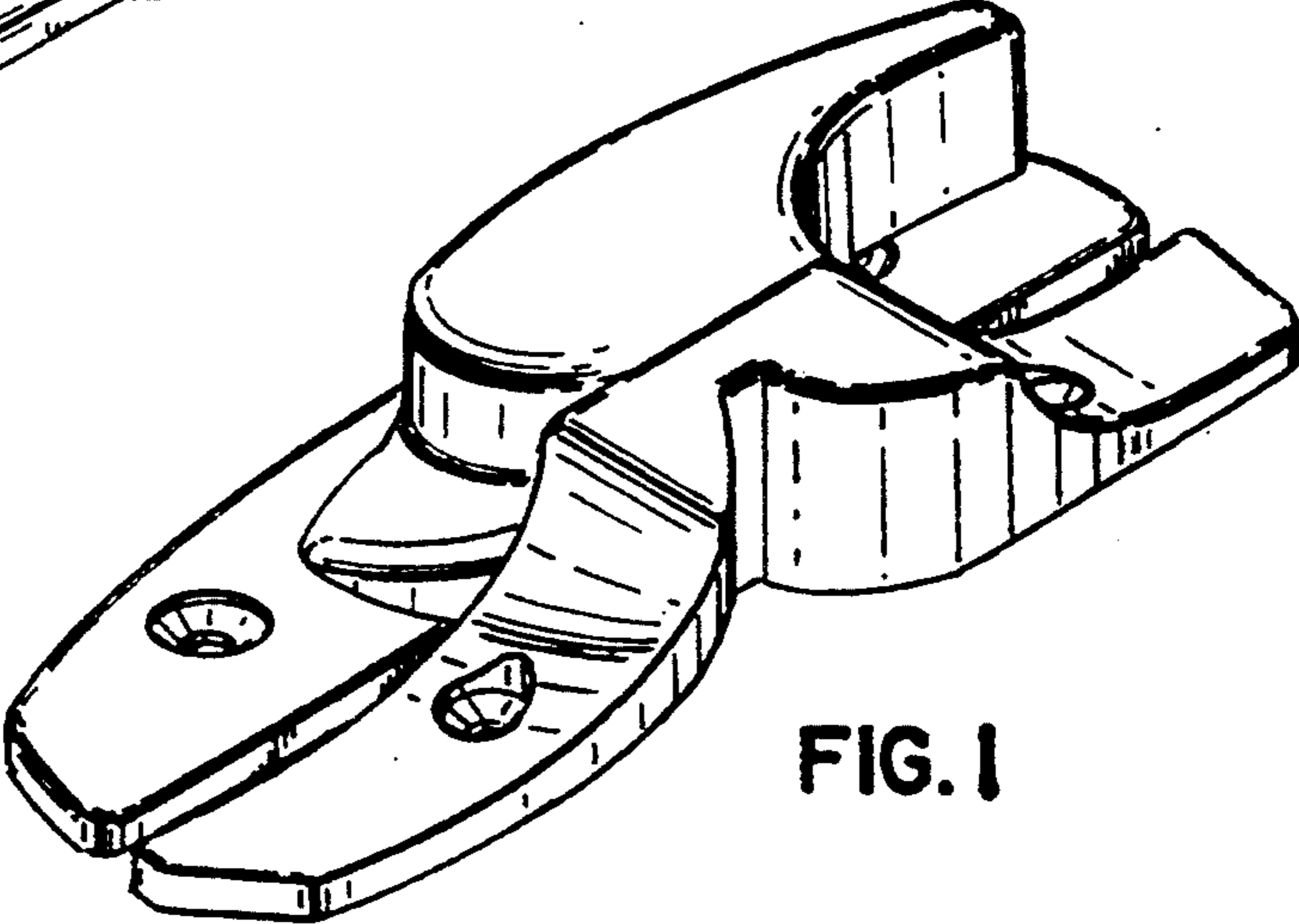
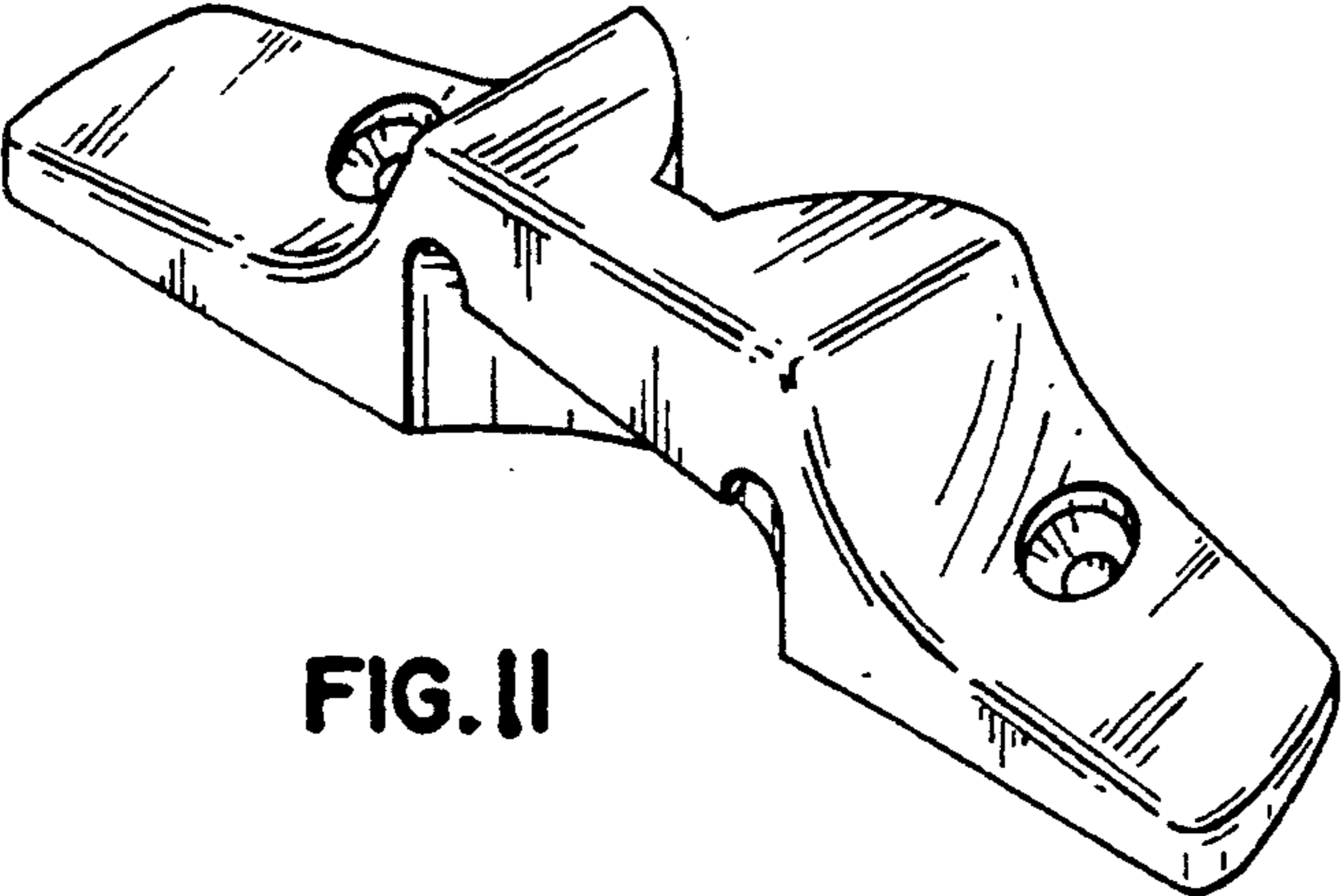


FIG. II



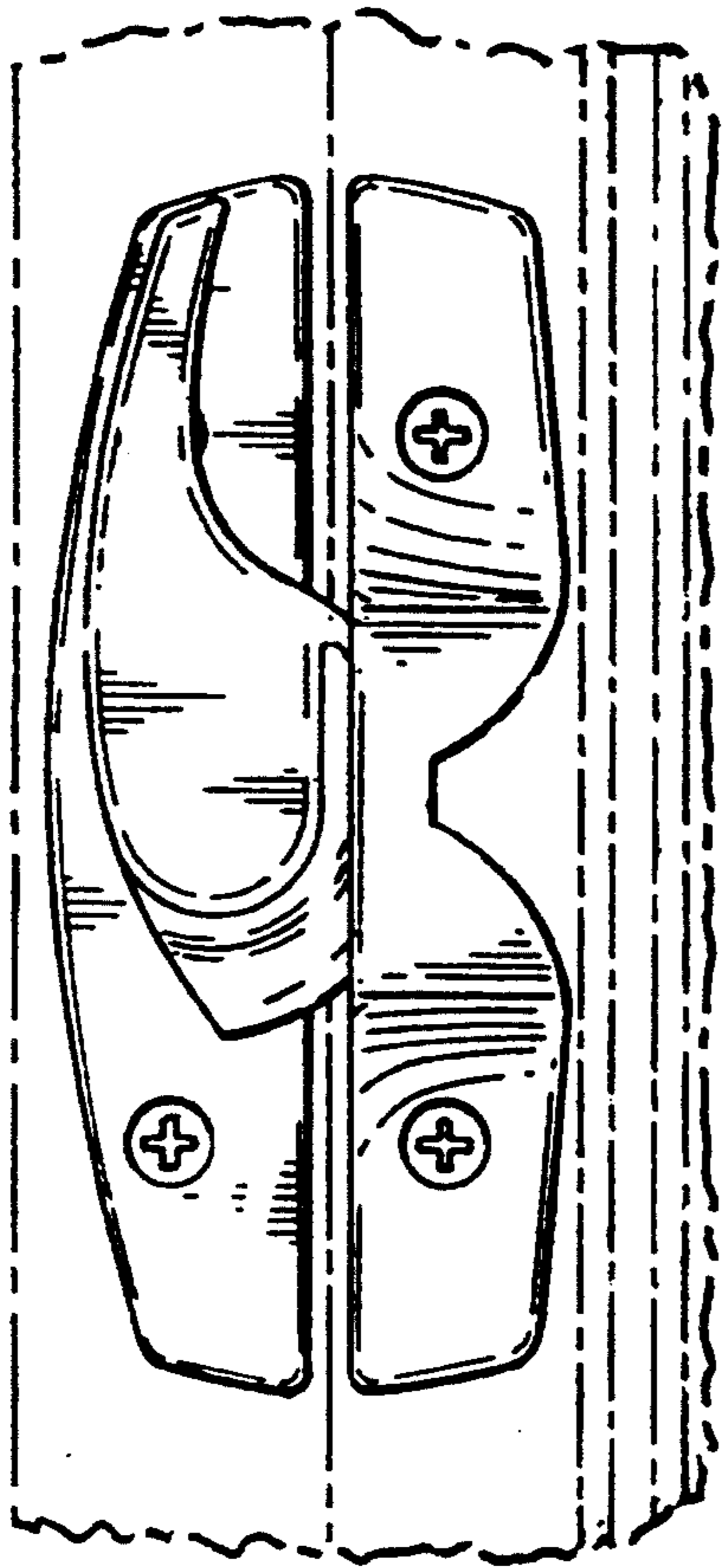


FIG. 2

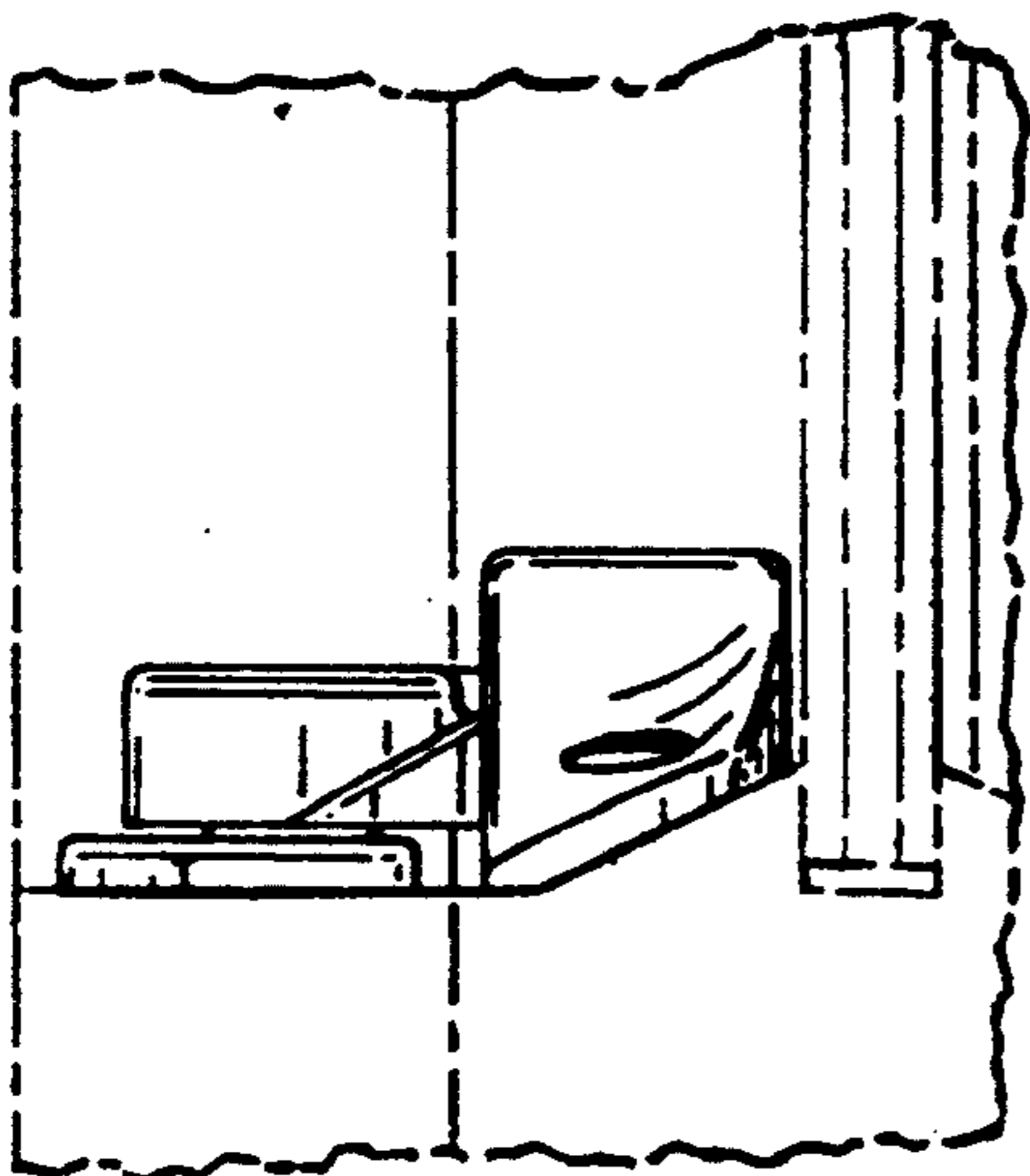


FIG. 3



FIG. 12

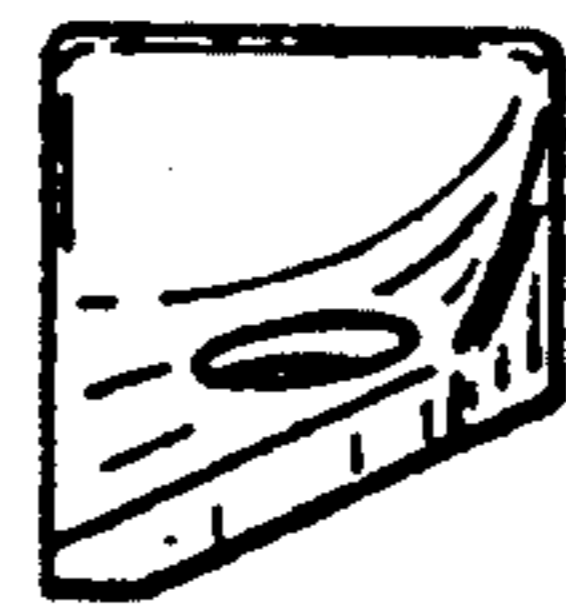


FIG. 13

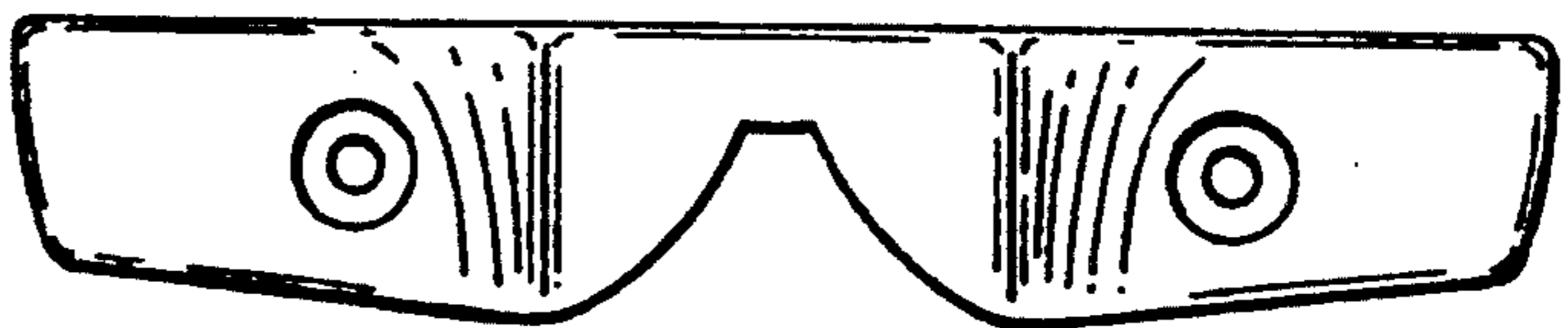


FIG. 14

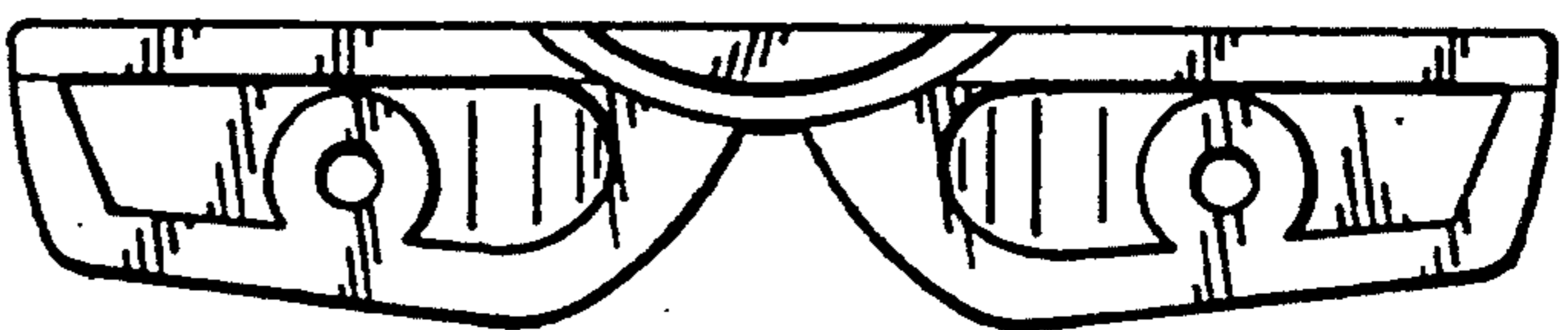


FIG. 15

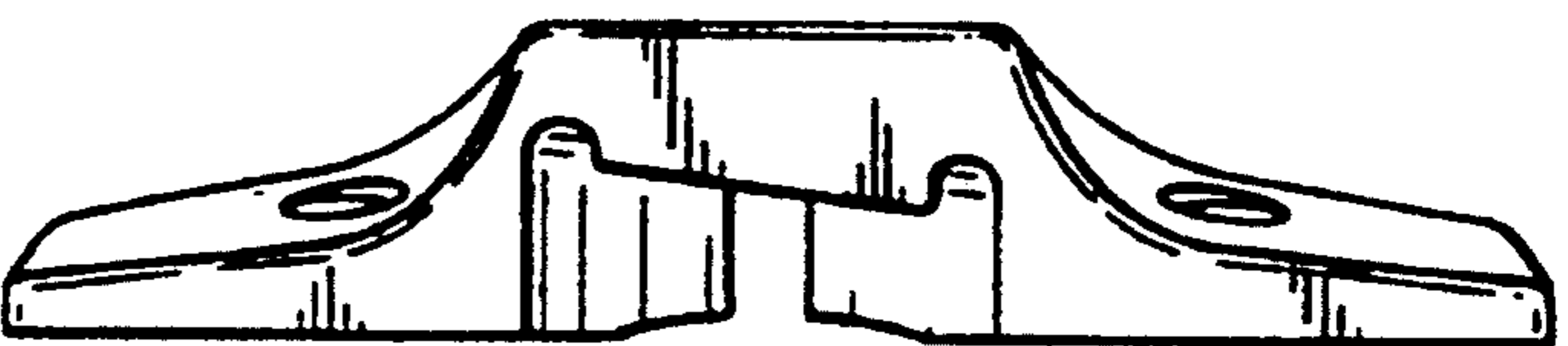


FIG. 16

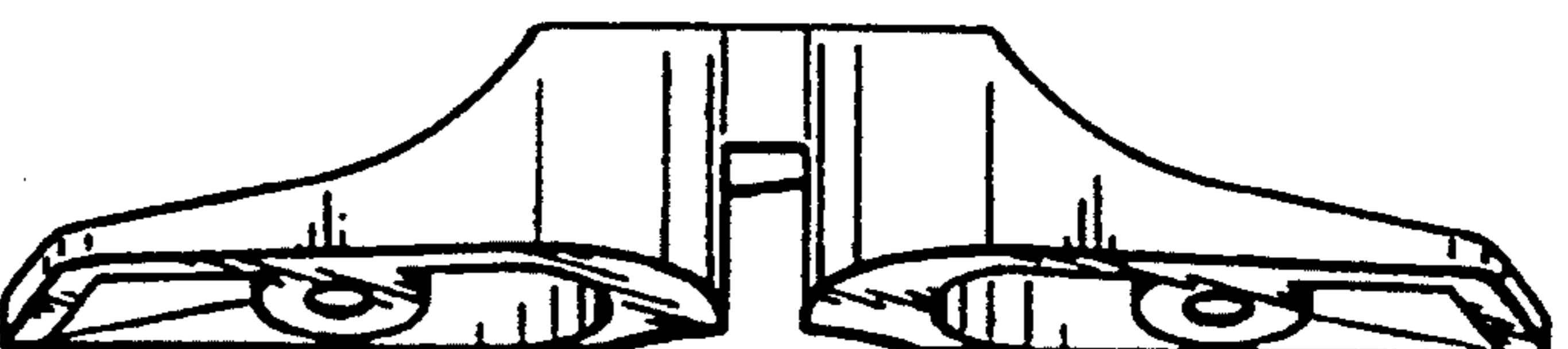


FIG. 17

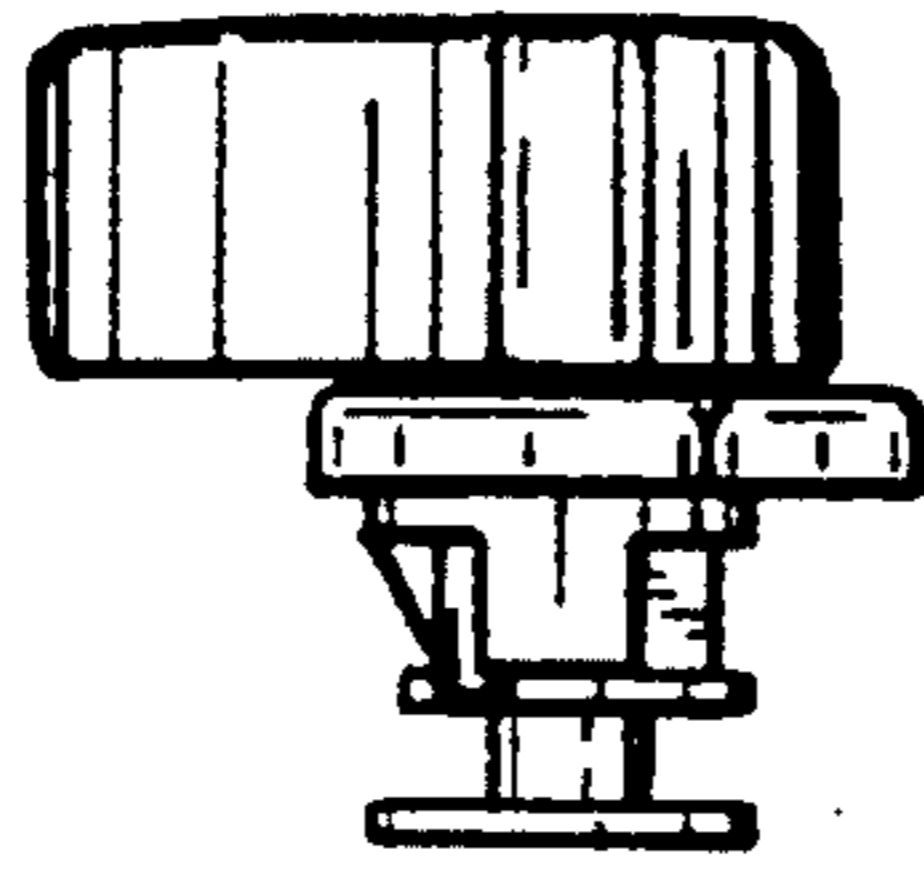


FIG. 5

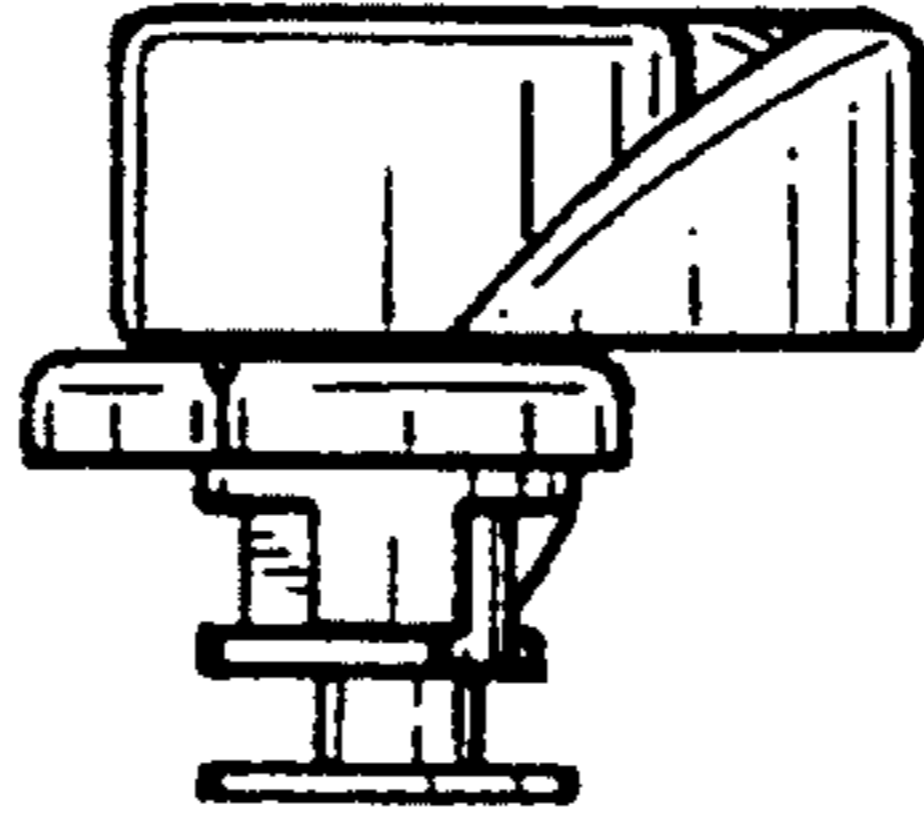


FIG. 6

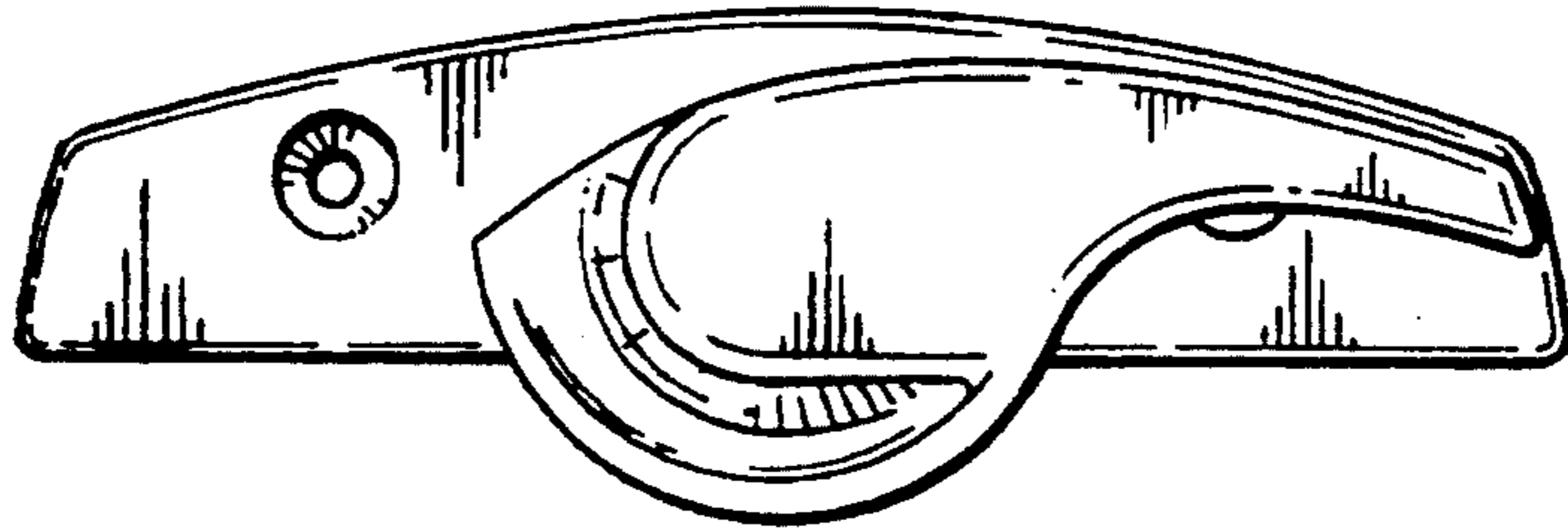


FIG. 7

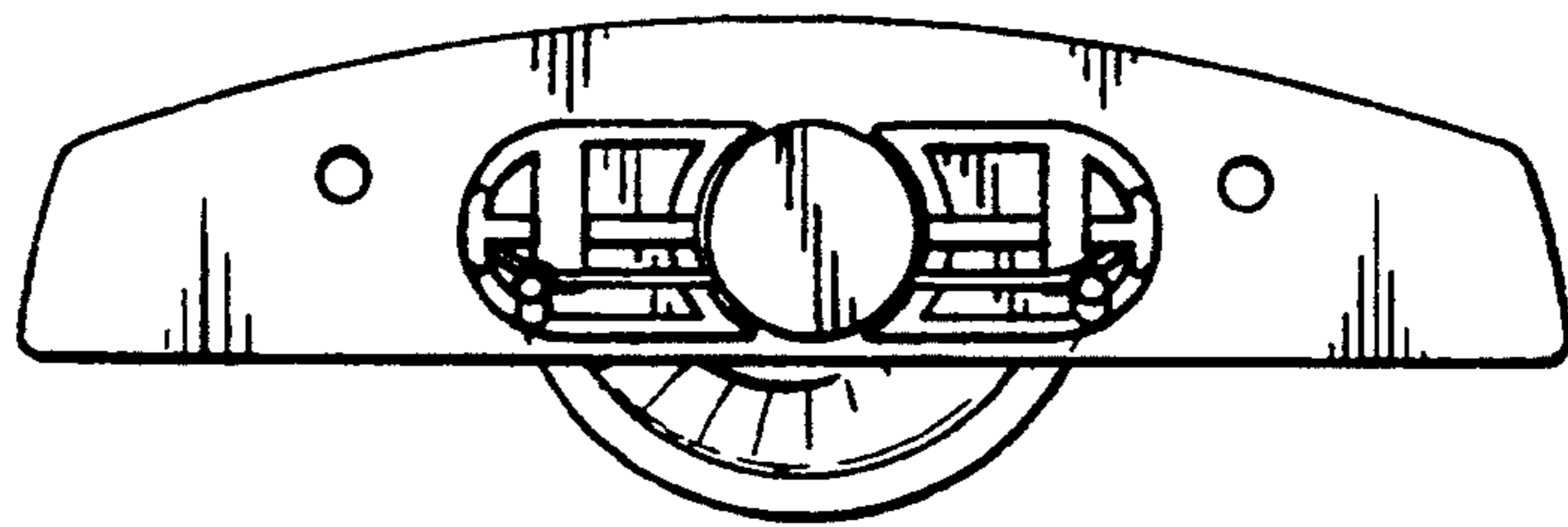


FIG. 8

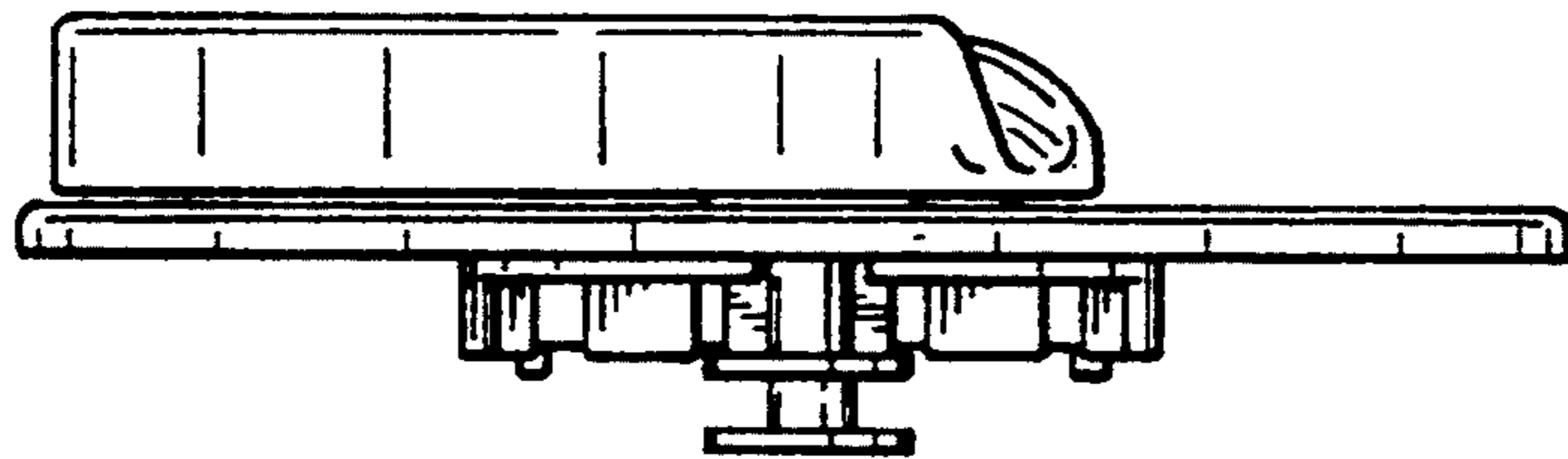


FIG. 9

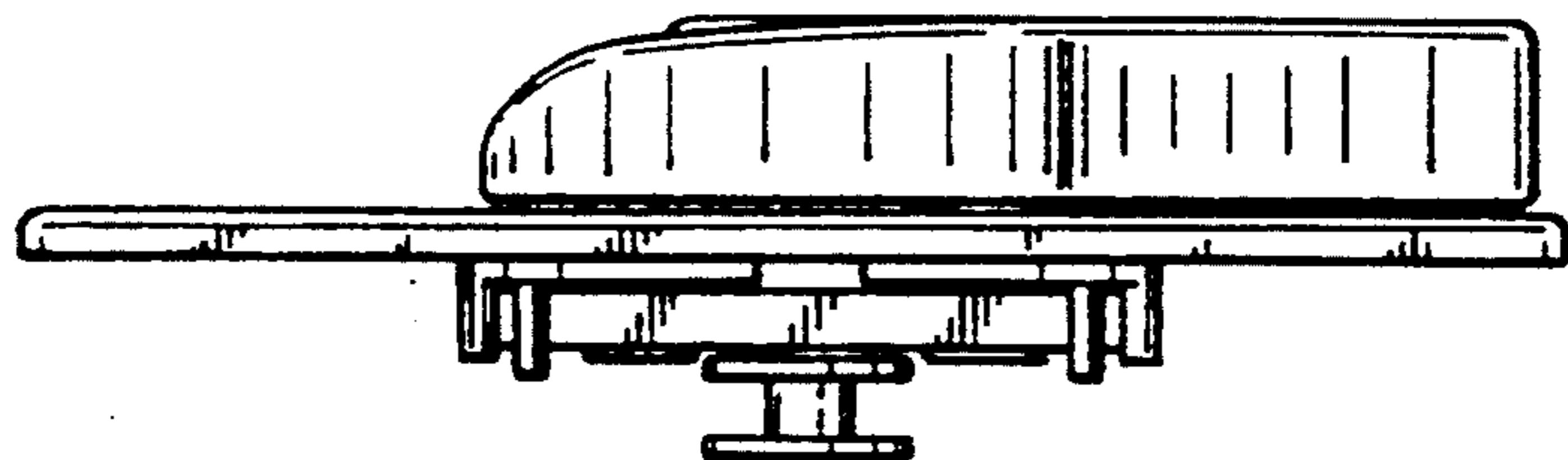


FIG. 10