



US00D350271S

United States Patent [19]

[11] Patent Number: **Des. 350,271**

Landy et al.

[45] Date of Patent: **** Sep. 6, 1994**

[54] COMBINED KNIFE AND FLASHLIGHT

[76] Inventors: **Bruce R. Landy**, 3840 N. 51st Ave., Hollywood, Fla. 33021; **Bradford Landy**, 280 Southwest 56 Ter. #111, Margate, Fla. 33068

[**] Term: **14 Years**

[21] Appl. No.: **873,087**

[22] Filed: **Apr. 22, 1992**

[52] U.S. Cl. **D8/99; D8/105; D26/38**

[58] Field of Search **D8/99, 105; 7/118; 362/119; 30/155; D26/38; D22/118**

[56] References Cited

U.S. PATENT DOCUMENTS

D. 173,323	10/1954	Polk	D26/38
D. 184,623	3/1959	Kelly et al.	D26/38
D. 311,124	10/1990	Learney	D8/99
4,854,045	8/1989	Schaub	7/118
4,918,775	4/1990	Leu	362/119

OTHER PUBLICATIONS

Victorinox Knife Catalog, 1983, Champion 5012 Pocket Knife.

Primary Examiner—Bernard Ansher
Assistant Examiner—Philip Hyder
Attorney, Agent, or Firm—Bradford J. Badke

[57] CLAIM

The ornamental design for a combined knife and flashlight, as shown and described.

DESCRIPTION

FIG. 1 is a front perspective view of a combined knife and flashlight showing our new design; FIG. 2 is a front elevational view thereof; FIG. 3 is a rear elevational view thereof; FIG. 4 is a right-side elevational view thereof; FIG. 5 is a left-side elevational view thereof; FIG. 6 is a top plan view thereof; FIG. 7 is a bottom plan view thereof; and, FIG. 8 is a front perspective view of a second embodiment of our new design component of the combined knife and flashlight.

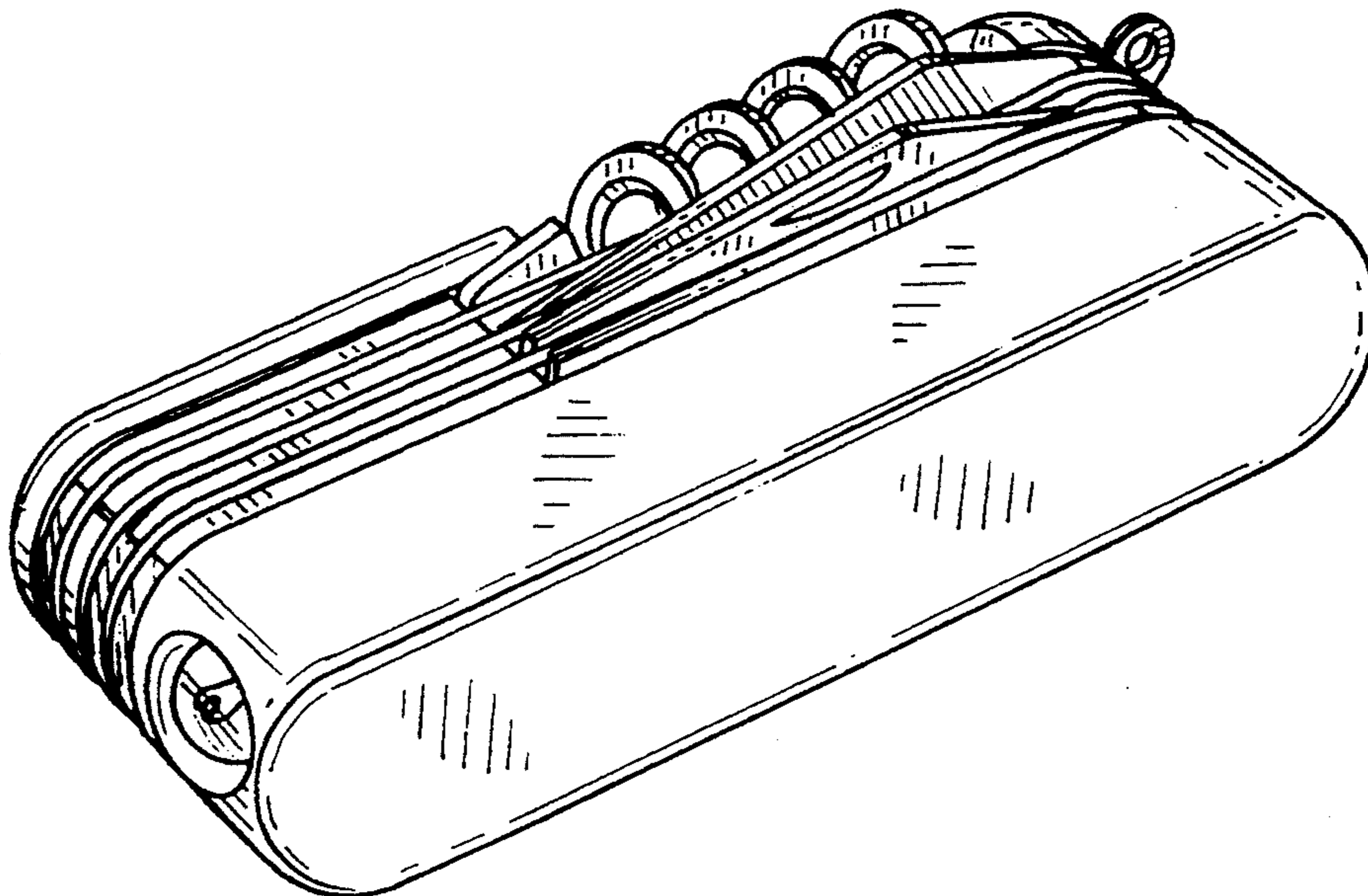


FIG. 1

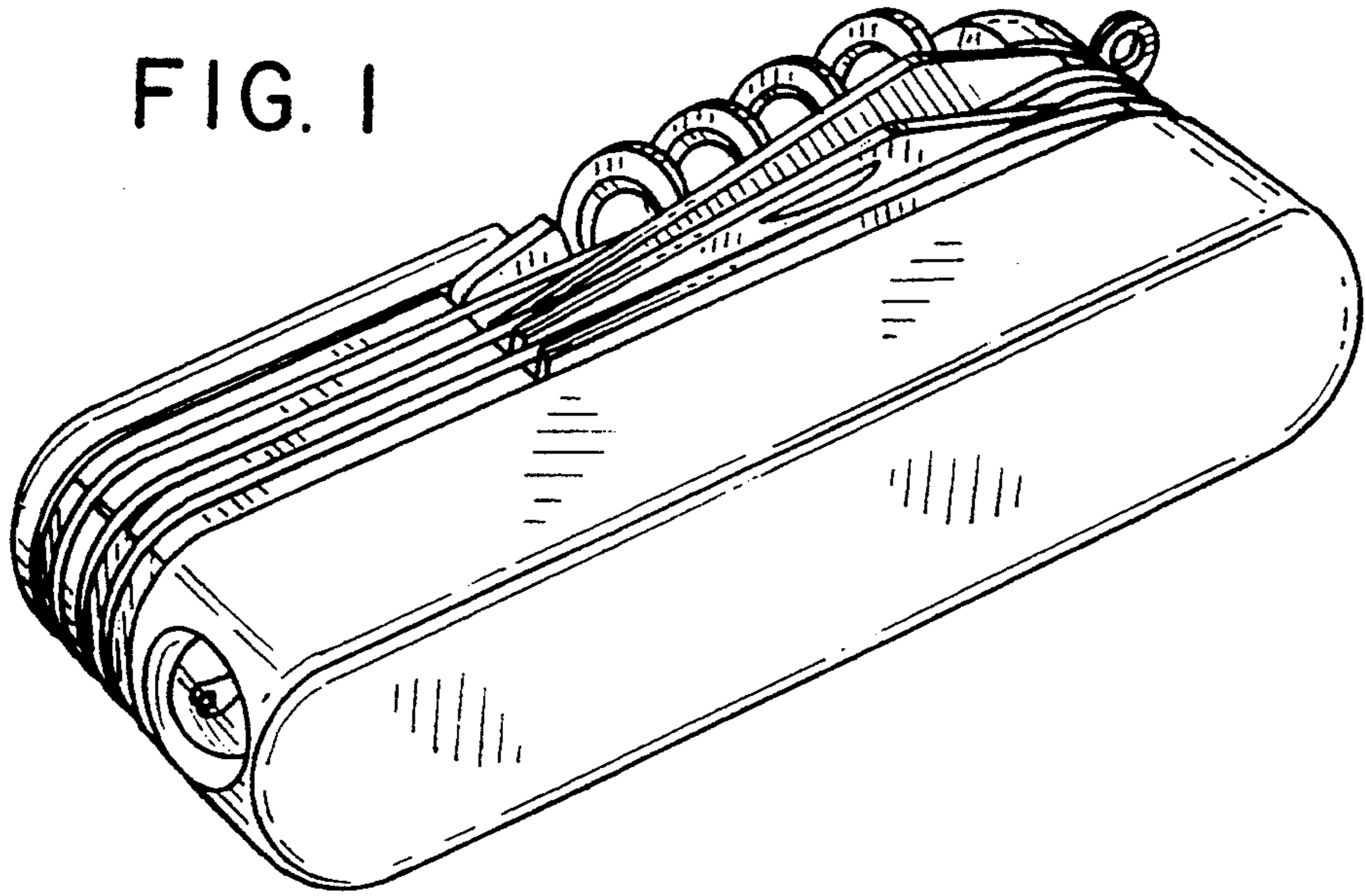


FIG. 2

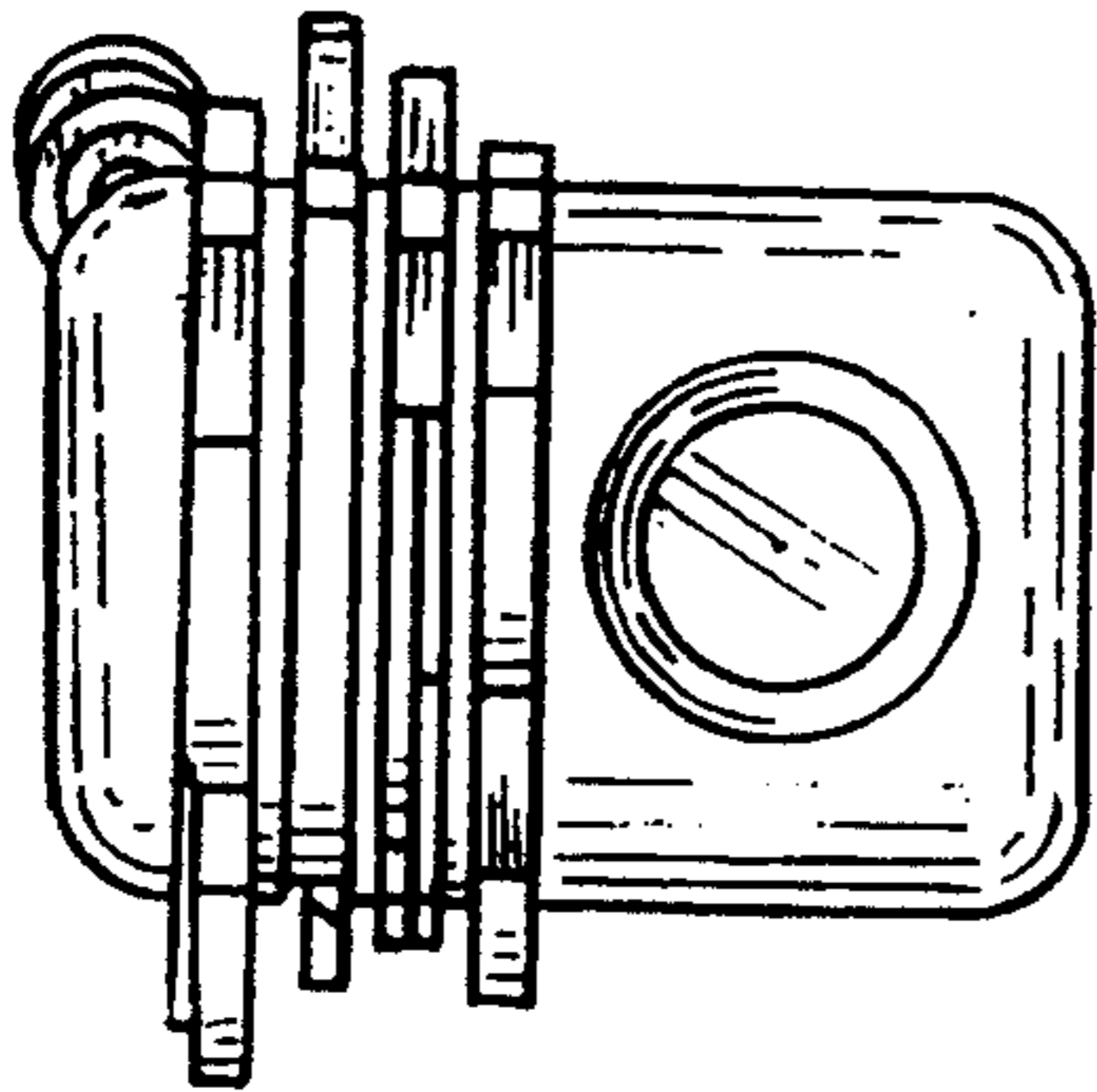


FIG. 3

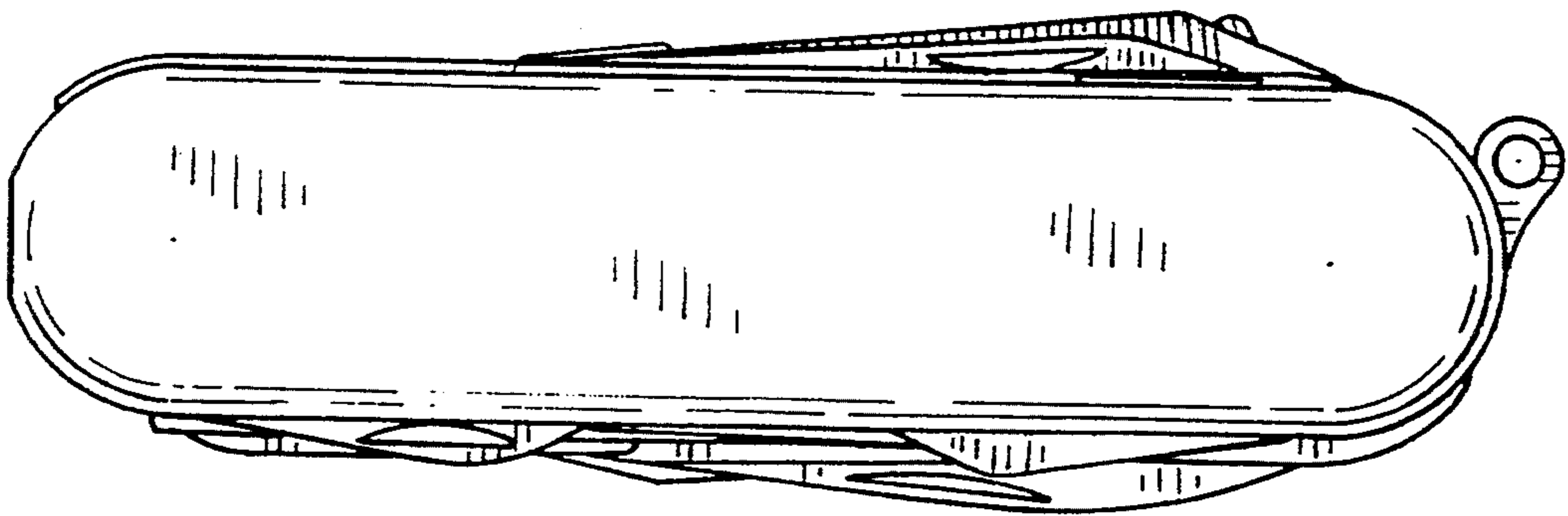
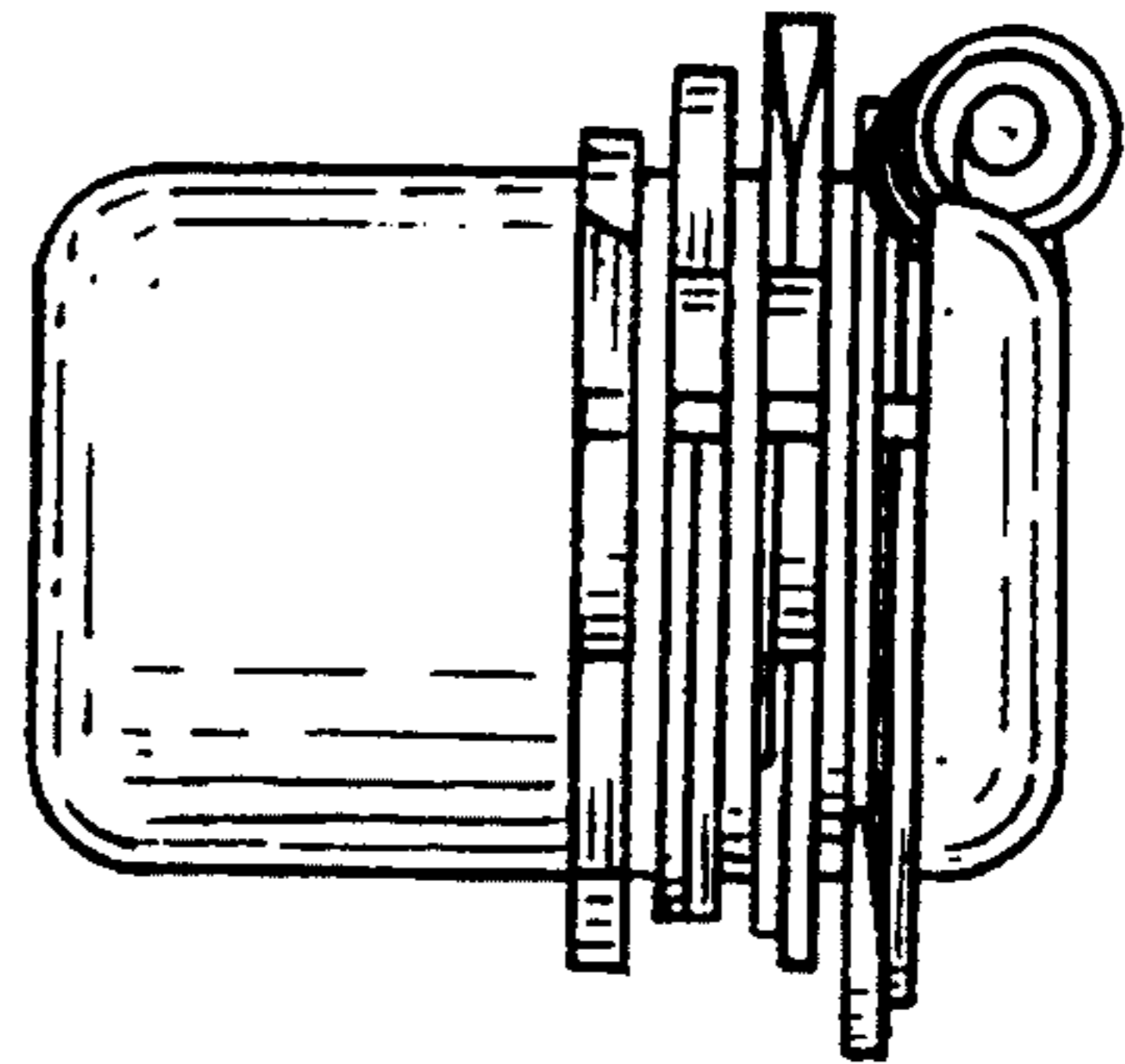


FIG. 4

FIG. 5

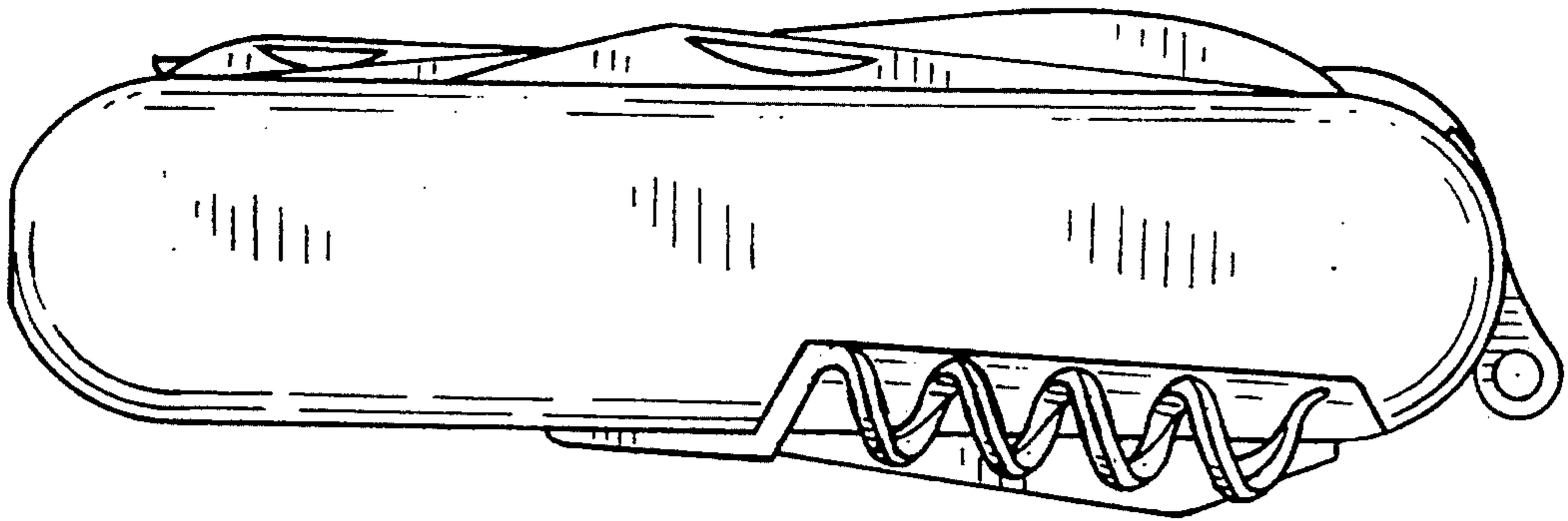


FIG. 6

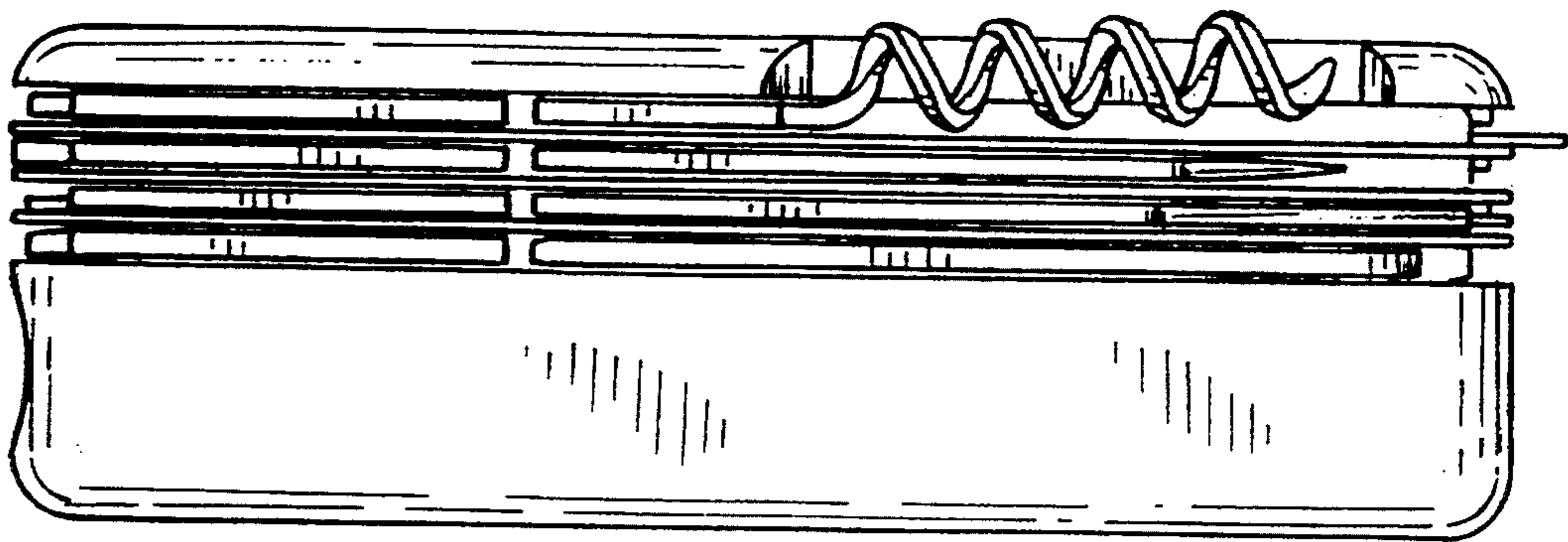


FIG. 7

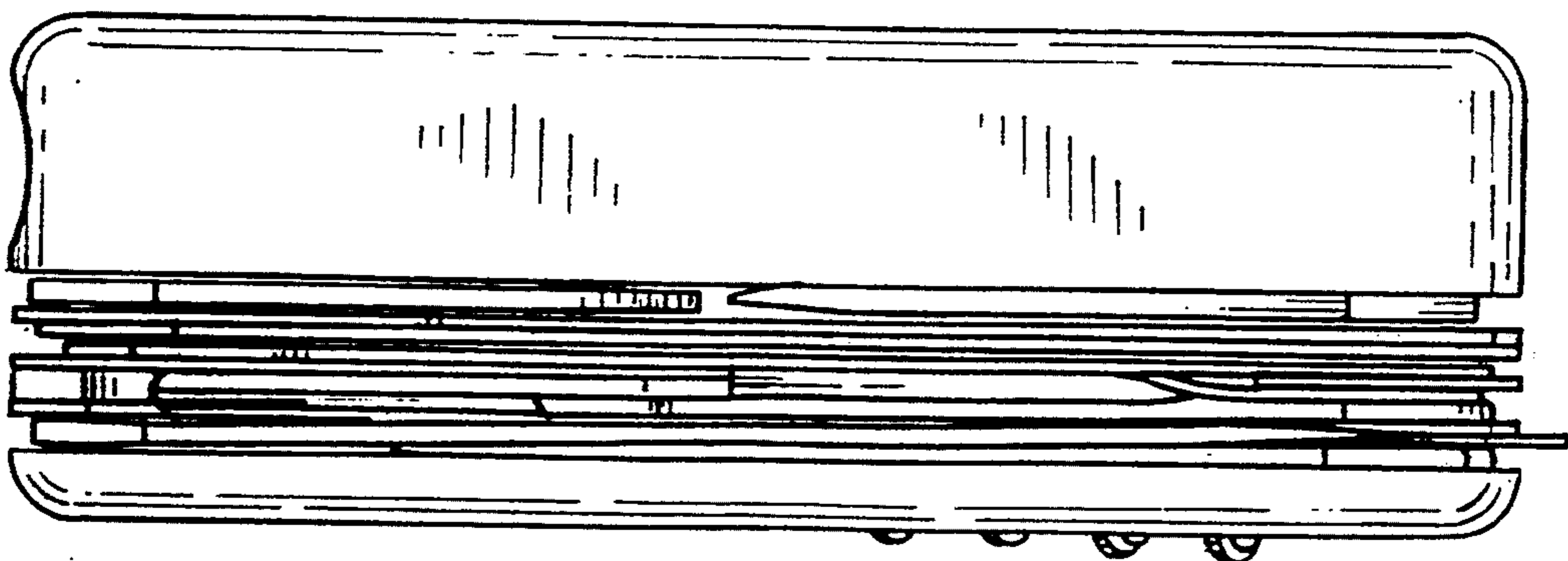
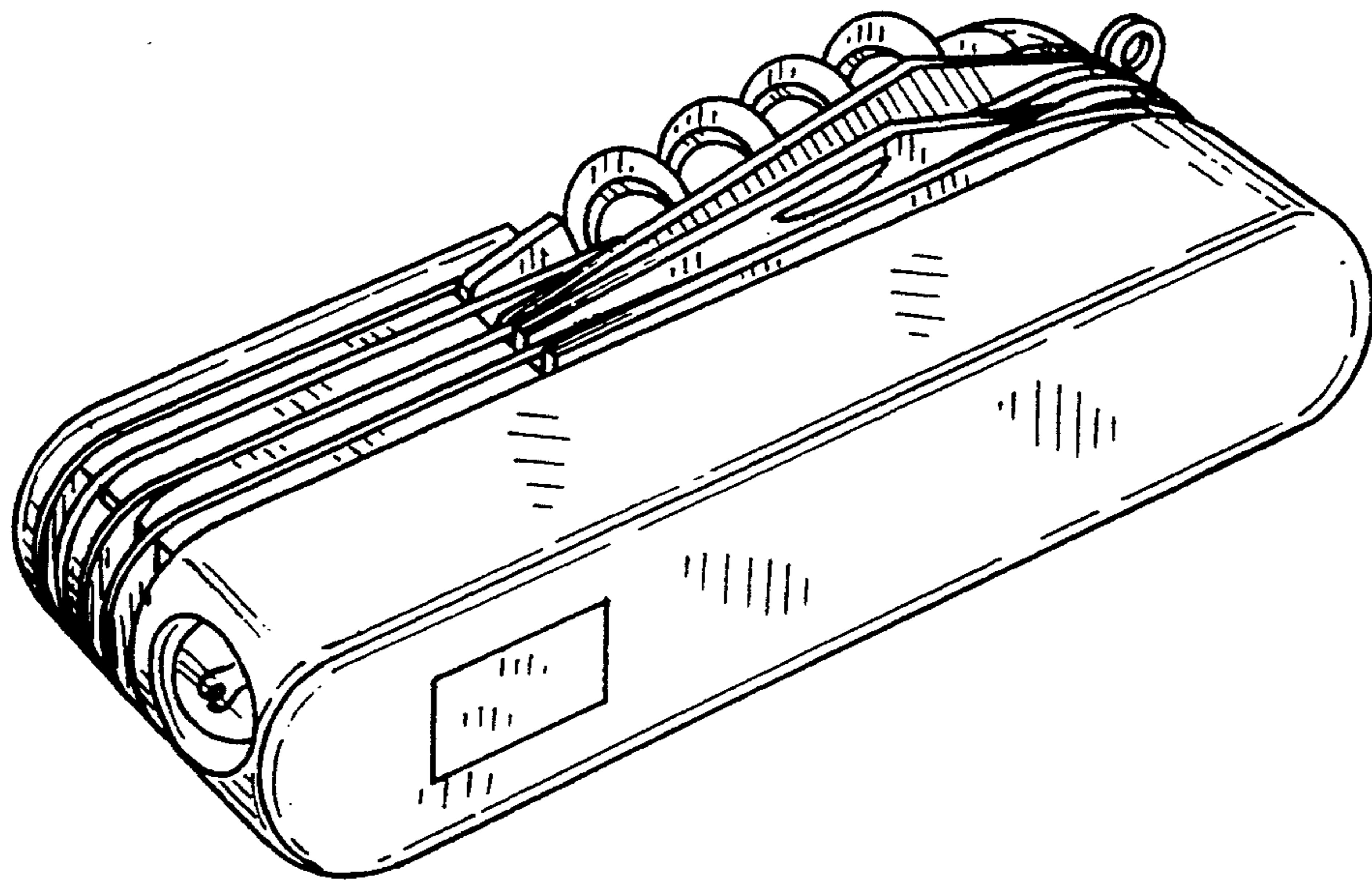


FIG. 8



UNITED STATES PATENT AND TRADEMARK OFFICE
CERTIFICATE OF CORRECTION

PATENT NO. : Des. 350,271
DATED : September 6, 1994
INVENTOR(S) : Landy et al.

Page 1 of 1

It is certified that error appears in the above-identified patent and that said Letters Patent is hereby corrected as shown below:

Title page.

Item [76], Inventors, first inventor should read -- **Bruce M. Landy** --.

Signed and Sealed this

Sixteenth Day of May, 2006

A handwritten signature in black ink on a dotted background. The signature reads "Jon W. Dudas" in a cursive style.

JON W. DUDAS

Director of the United States Patent and Trademark Office