



US00D350270S

United States Patent [19]

[11] Patent Number: **Des. 350,270**

Jensen

[45] Date of Patent: **** Sep. 6, 1994**

- [54] **HINGE PIN REMOVER**
- [75] Inventor: **William I. Jensen, Sheridan, Mont.**
- [73] Assignee: **Manufacturing Technologies, Inc.,
Sheridan, Mont.**
- [**] Term: **14 Years**
- [21] Appl. No.: **3,471**
- [22] Filed: **Jan. 8, 1993**
- [52] U.S. Cl. **D8/89**
- [58] Field of Search **D8/14, 88, 89; 7/166;
254/21, 23, 25, 26, 19; 81/488**

1,241,179	9/1917	White	D8/89
1,445,263	2/1923	Asper	7/166
1,486,820	3/1924	Wilder	7/166
2,863,635	12/1958	Fandrich	D8/89
2,896,910	7/1959	Cooper et al.	D8/89
4,039,140	8/1977	Pulliam	D8/89

OTHER PUBLICATIONS

Goldbatt Tools Catalog, 1970, p. 33, Ripping Bars.

Primary Examiner—B. J. Bullock

Assistant Examiner—Philip Hyder

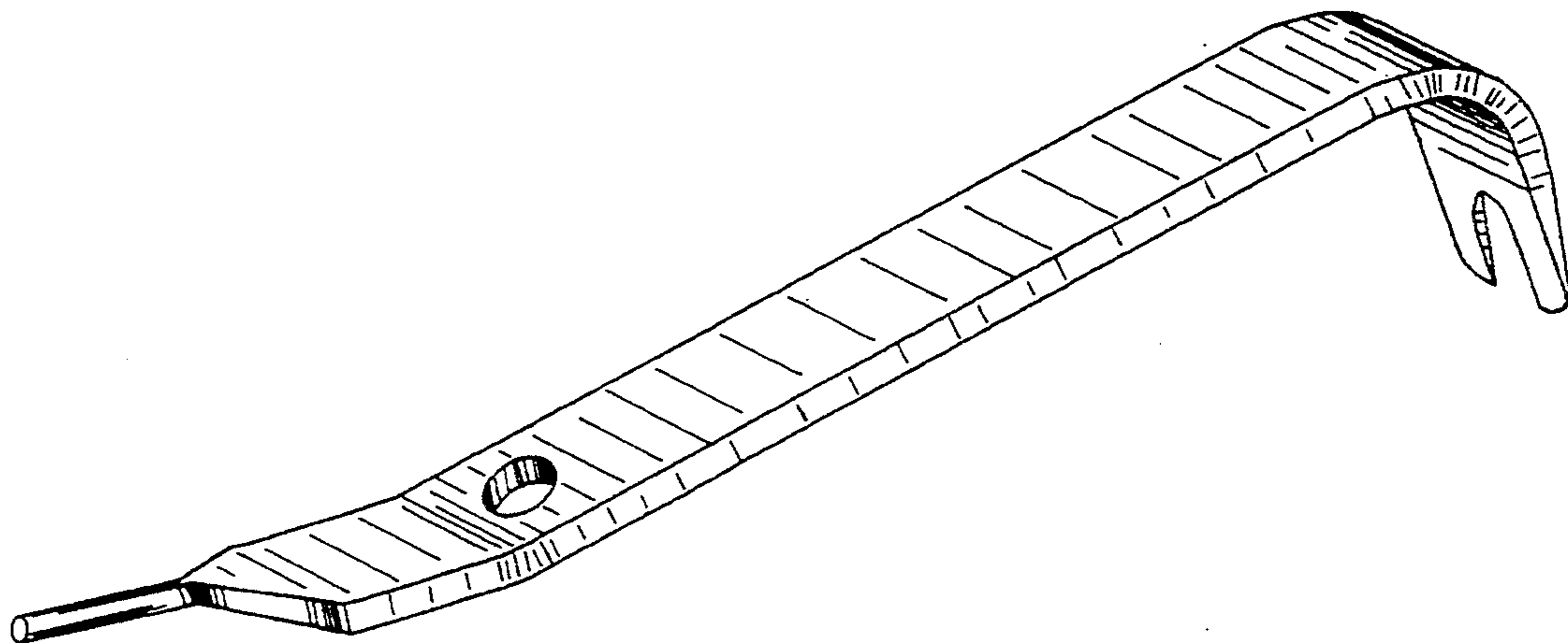
[57] CLAIM

The ornamental design for a hinge pin remover, as shown.

DESCRIPTION

FIG. 1 is a side view thereof;
 FIG. 2 is a bottom view thereof;
 FIG. 3 is a rear view thereof; and,
 FIG. 4 is a top, front perspective view thereof.

- [56] **References Cited**
- U.S. PATENT DOCUMENTS**
- D. 197,205 12/1963 Estwing D8/89
- 664,494 12/1900 Olsen D8/89
- 743,183 11/1903 Miller D8/89
- 1,221,323 4/1917 Hill D8/89



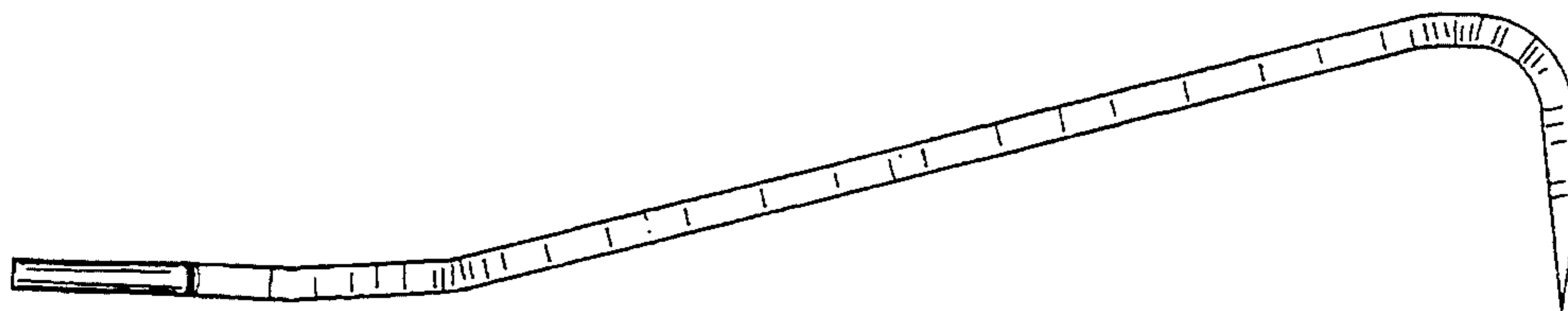


Figure 1.

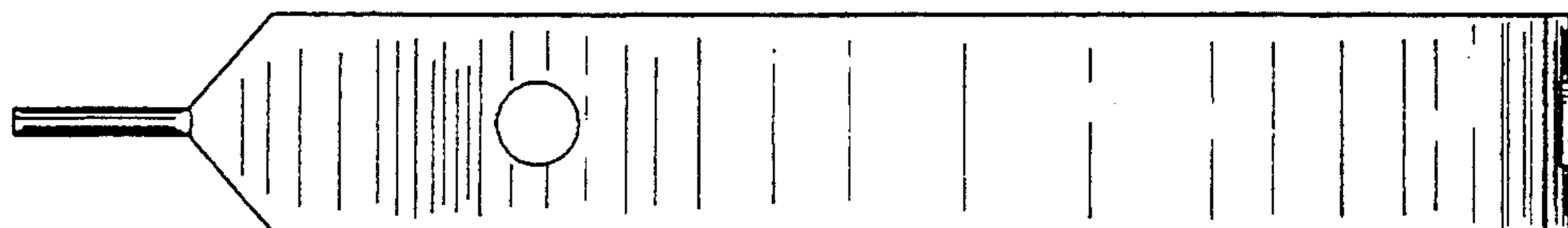


Figure 2.

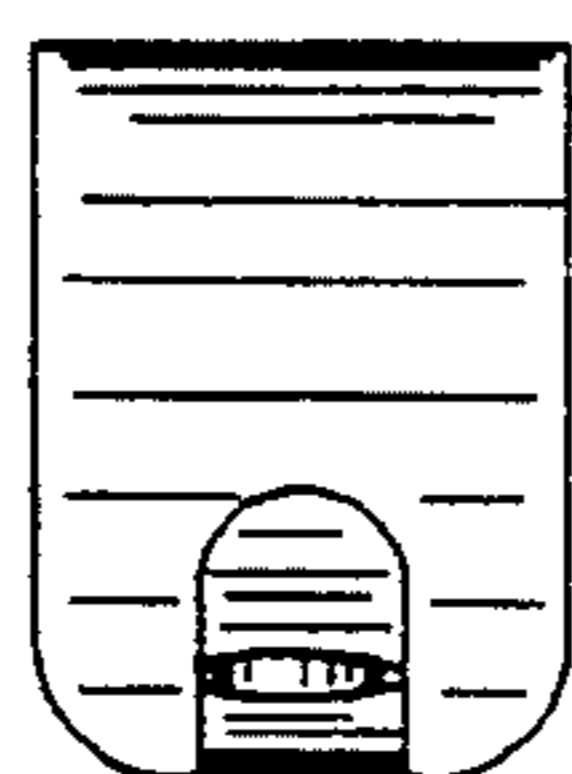


Figure 3.

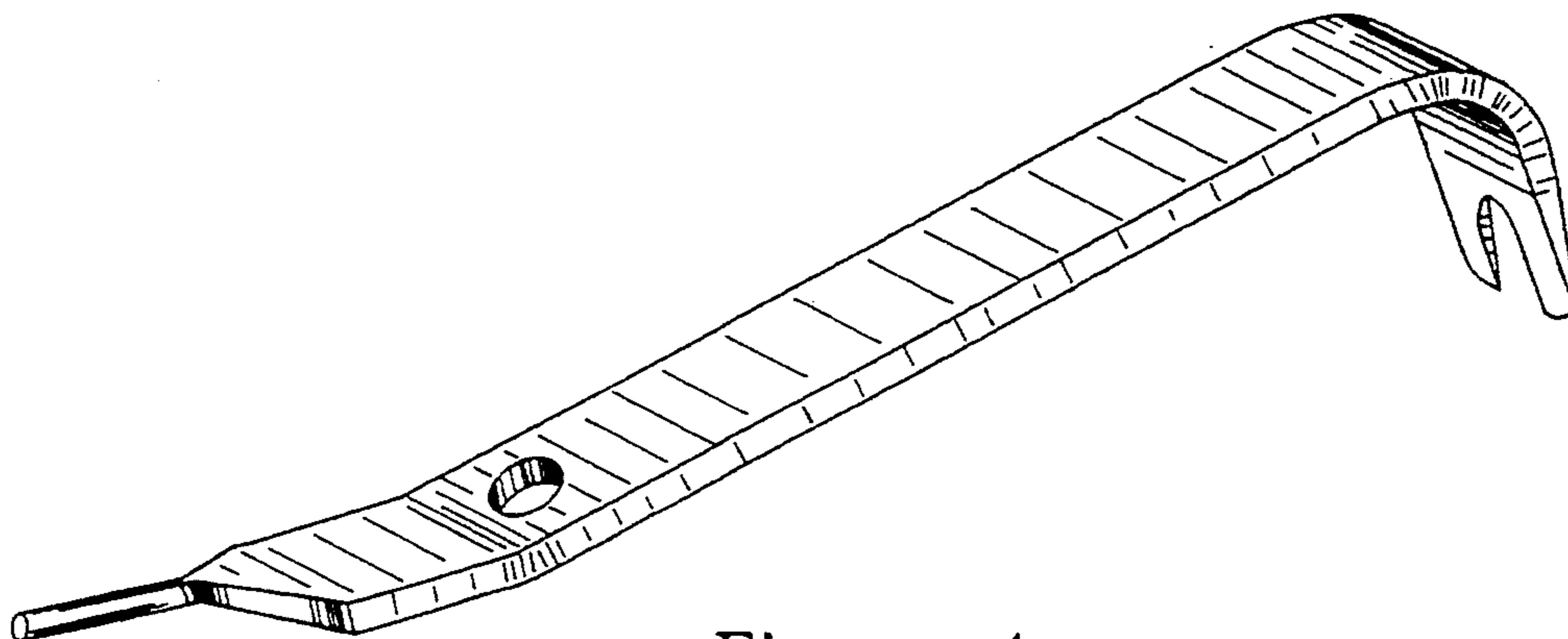


Figure 4.