



US00D350269S

United States Patent [19]

[11] Patent Number: Des. 350,269

Majors et al.

[45] Date of Patent: ** Sep. 6, 1994

[54] HAMMER

[75] Inventors: Ronald O. Majors, Kenosha; Joseph R. Hoepfl, Greenfield, both of Wis.

[73] Assignee: Snap-on Tools Corporation, Kenosha, Wis.

[**] Term: 14 Years

[21] Appl. No.: 3,001

[22] Filed: Jan. 12, 1993

[52] U.S. Cl. D8/77

[58] Field of Search D8/75, 77, 78, 80; 81/19, 20, 22, 26

[56] References Cited

U.S. PATENT DOCUMENTS

| | | | | |
|------------|---------|---------------|-------|-------|
| D. 182,077 | 2/1958 | MacMinn | | D8/77 |
| D. 274,496 | 7/1984 | Grover et al. | | D8/77 |
| D. 285,284 | 8/1986 | Blomqvist | | D8/77 |
| D. 300,504 | 4/1989 | Tsuji | | D8/77 |
| D. 302,932 | 8/1989 | Chapin et al. | | D8/77 |
| 2,808,861 | 10/1957 | Hughes | | 81/19 |
| 3,088,506 | 5/1963 | Bianchini | | 81/19 |
| 3,844,321 | 10/1974 | Cook | | 81/22 |
| 3,942,567 | 3/1976 | Richilano | | 81/19 |

OTHER PUBLICATIONS

Compo-cast Ad, Hammers.

Primary Examiner—Bernard Ansher
Assistant Examiner—Philip Hyder
Attorney, Agent, or Firm—Emrich & Dithmar

[57] CLAIM

The ornamental design for a hammer, as shown and described.

DESCRIPTION

FIG. 1 is a front elevational view of a hammer showing our new design;
 FIG. 2 is a side view thereof, the other side being identical;
 FIG. 3 is a top plan view thereof;
 FIG. 4 is a bottom plan view thereof;
 FIG. 5 is a sectional view taken along the line 5—5 of FIG. 1;
 FIG. 6 is a sectional view taken along the line 6—6 of FIG. 1;
 FIG. 7 is a sectional view taken along the line 7—7 of FIG. 1;
 FIG. 8 is a sectional view taken along the line 8—8 of FIG. 1;
 FIG. 9 is a sectional view taken along the line 9—9 of FIG. 1;
 FIG. 10 is a sectional view taken along the line 10—10 of FIG. 1; and,
 FIG. 11 is a sectional view taken along the line 11—11 of FIG. 1.

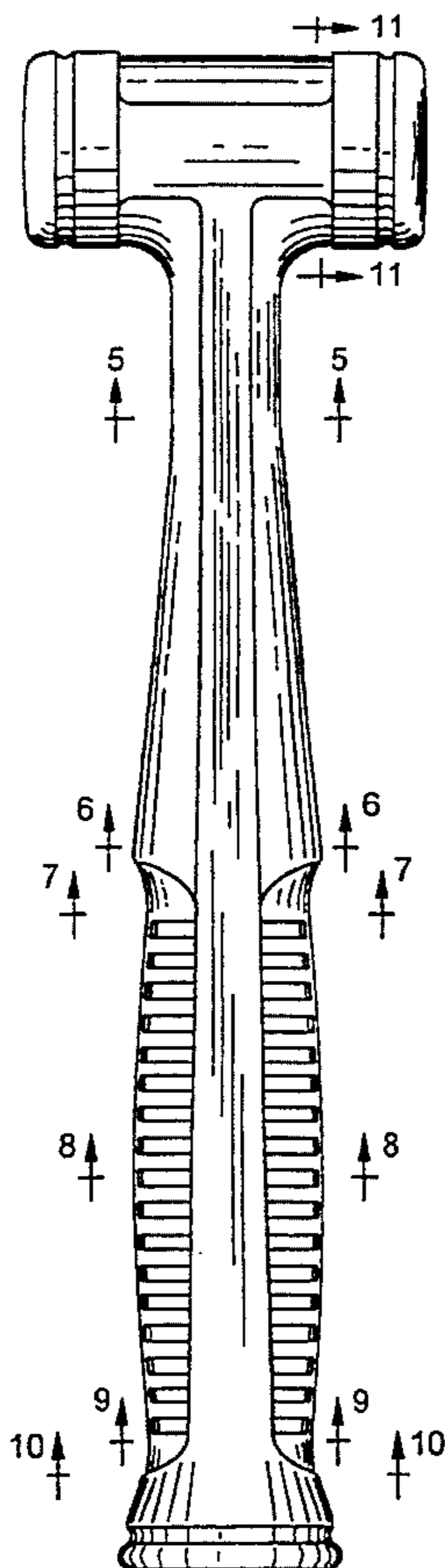


FIG. 1

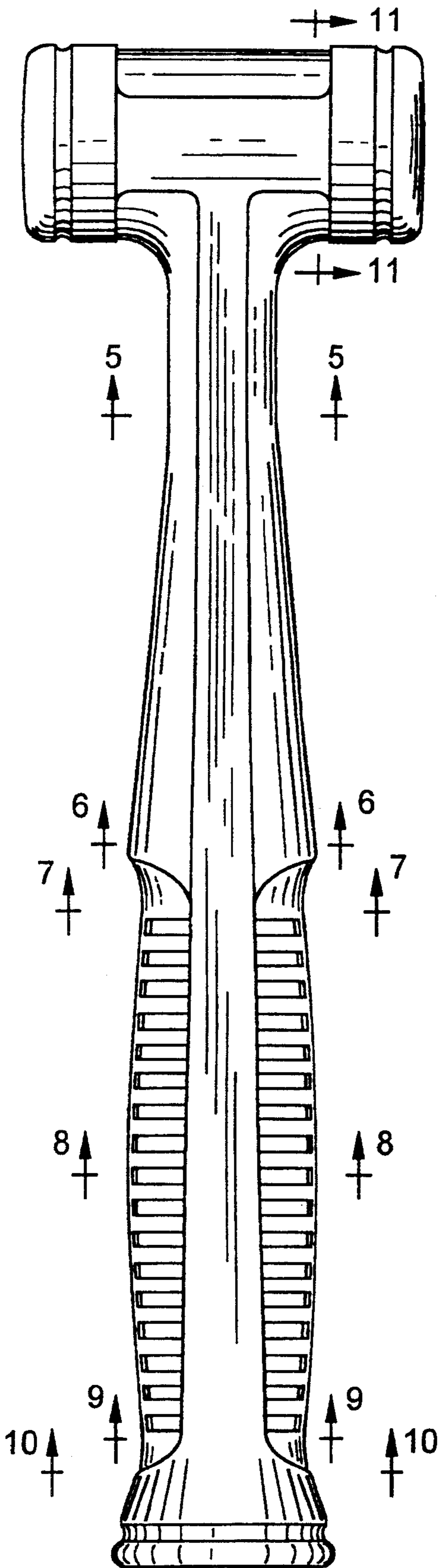


FIG. 2

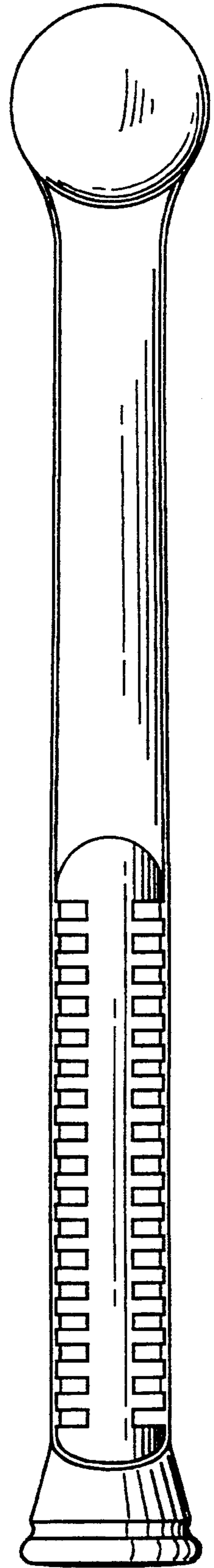


FIG. 3

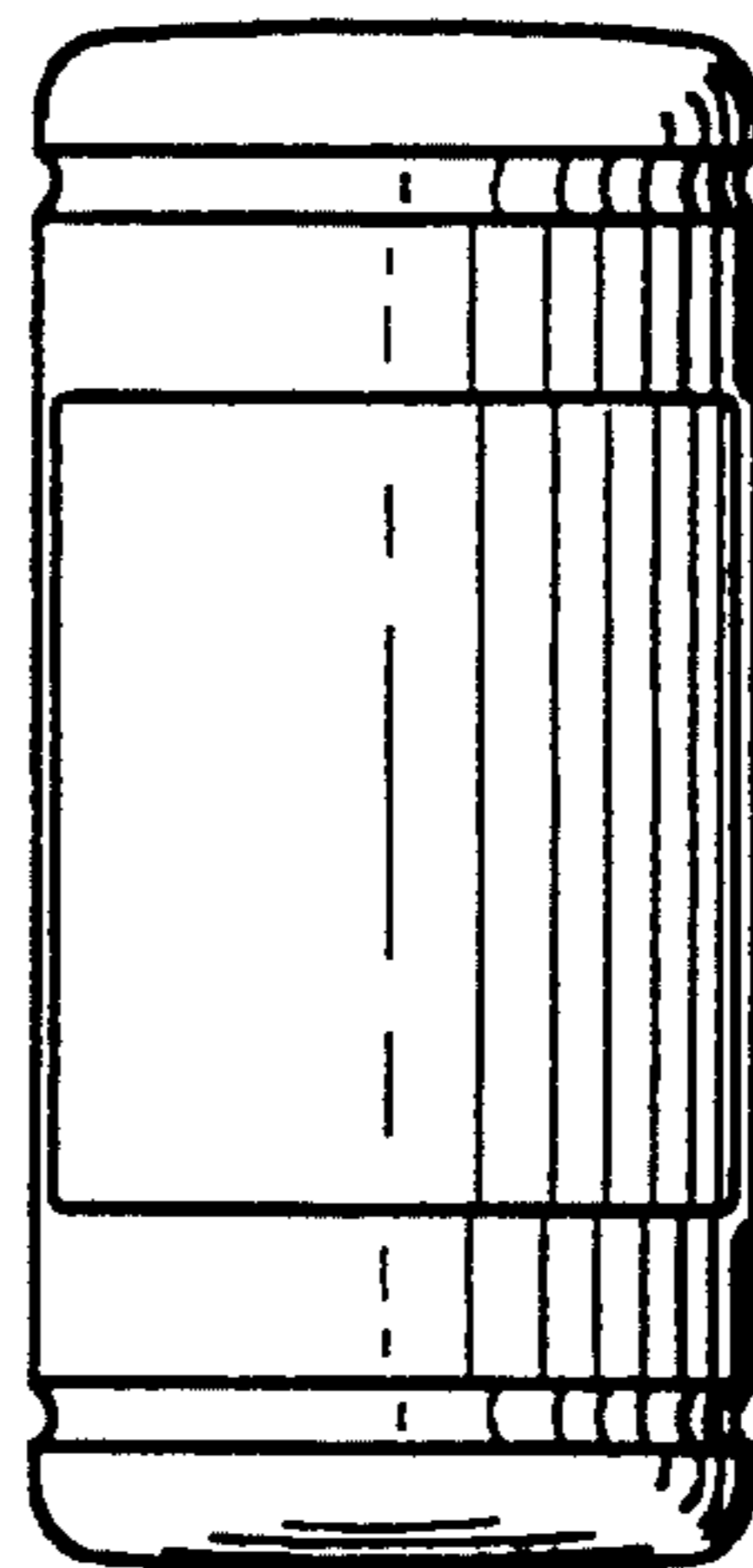


FIG. 4

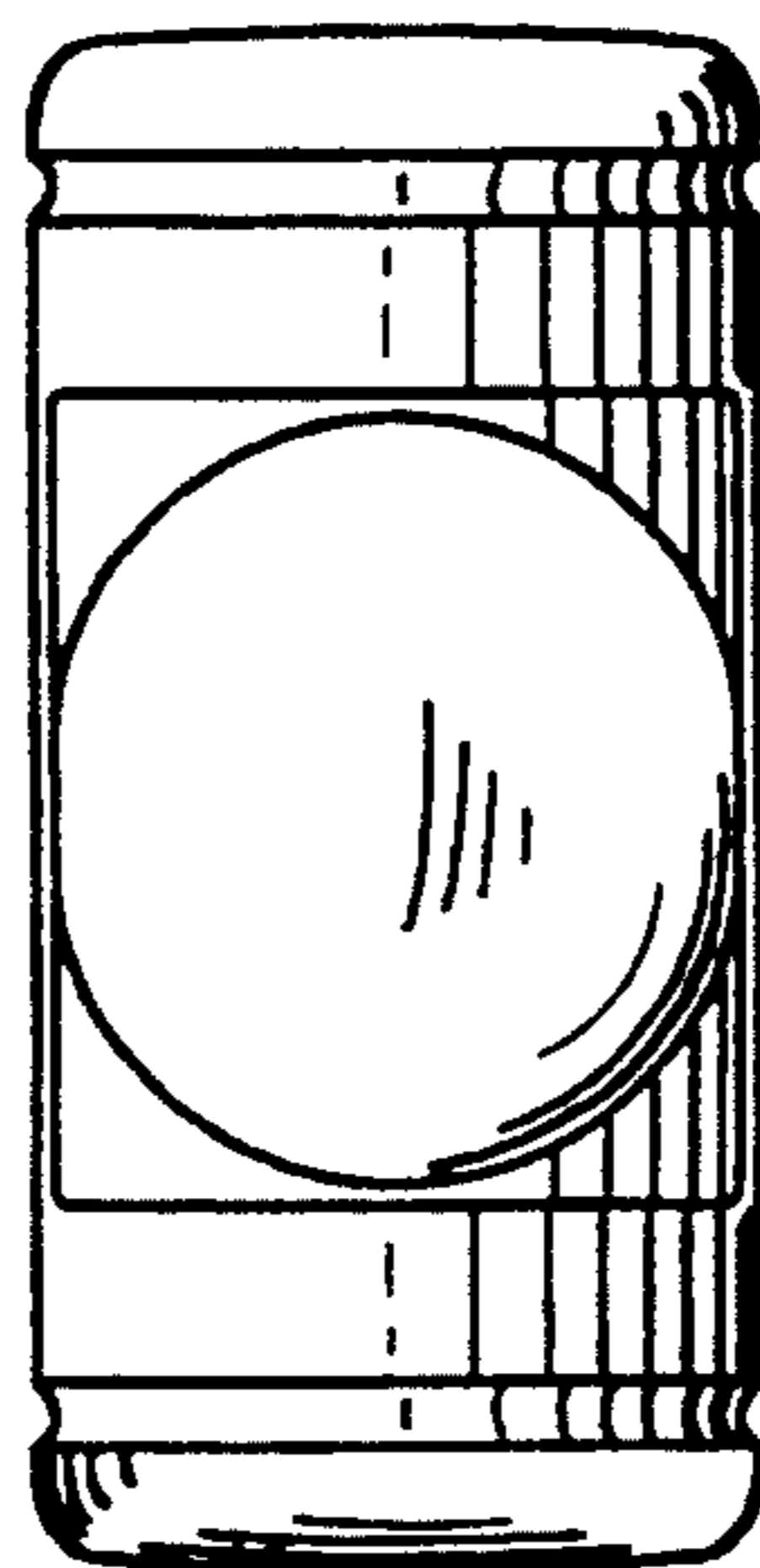


FIG. 5

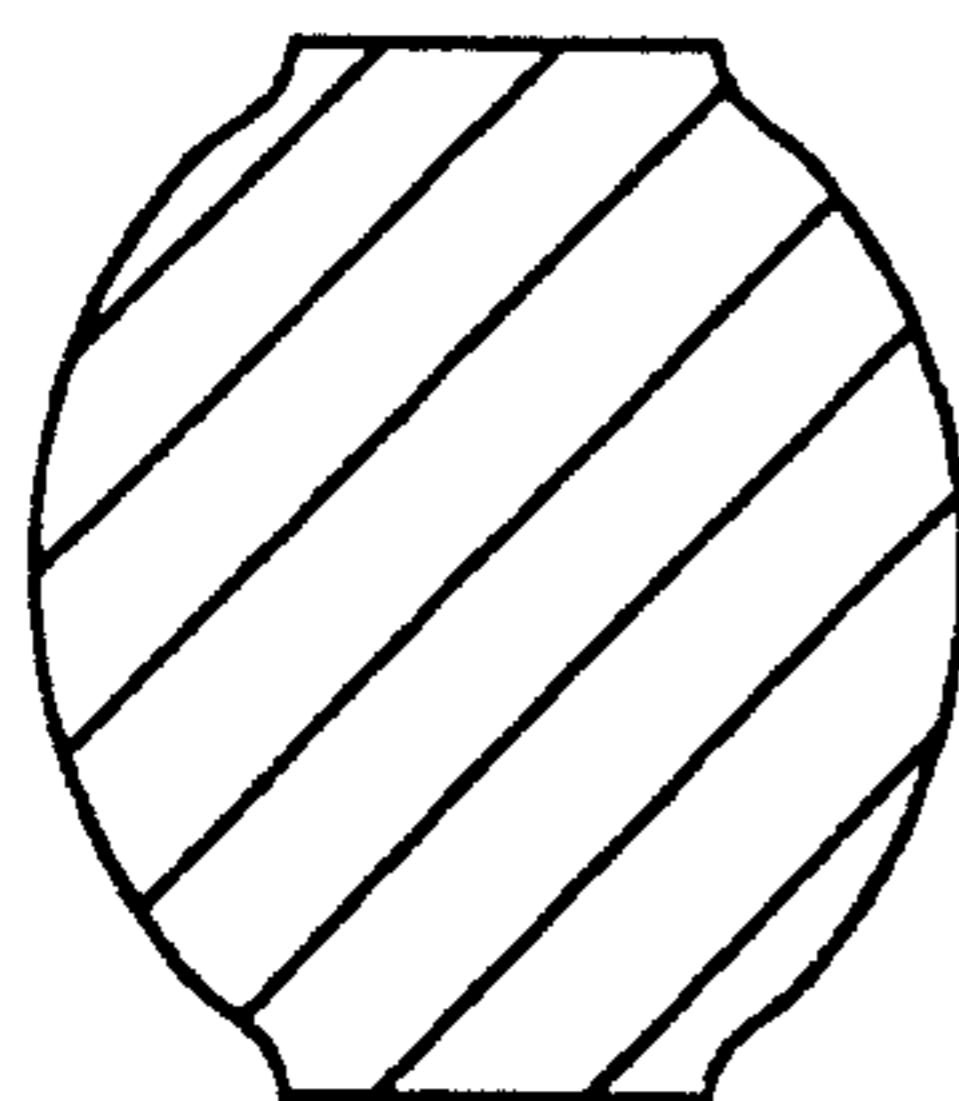


FIG. 6

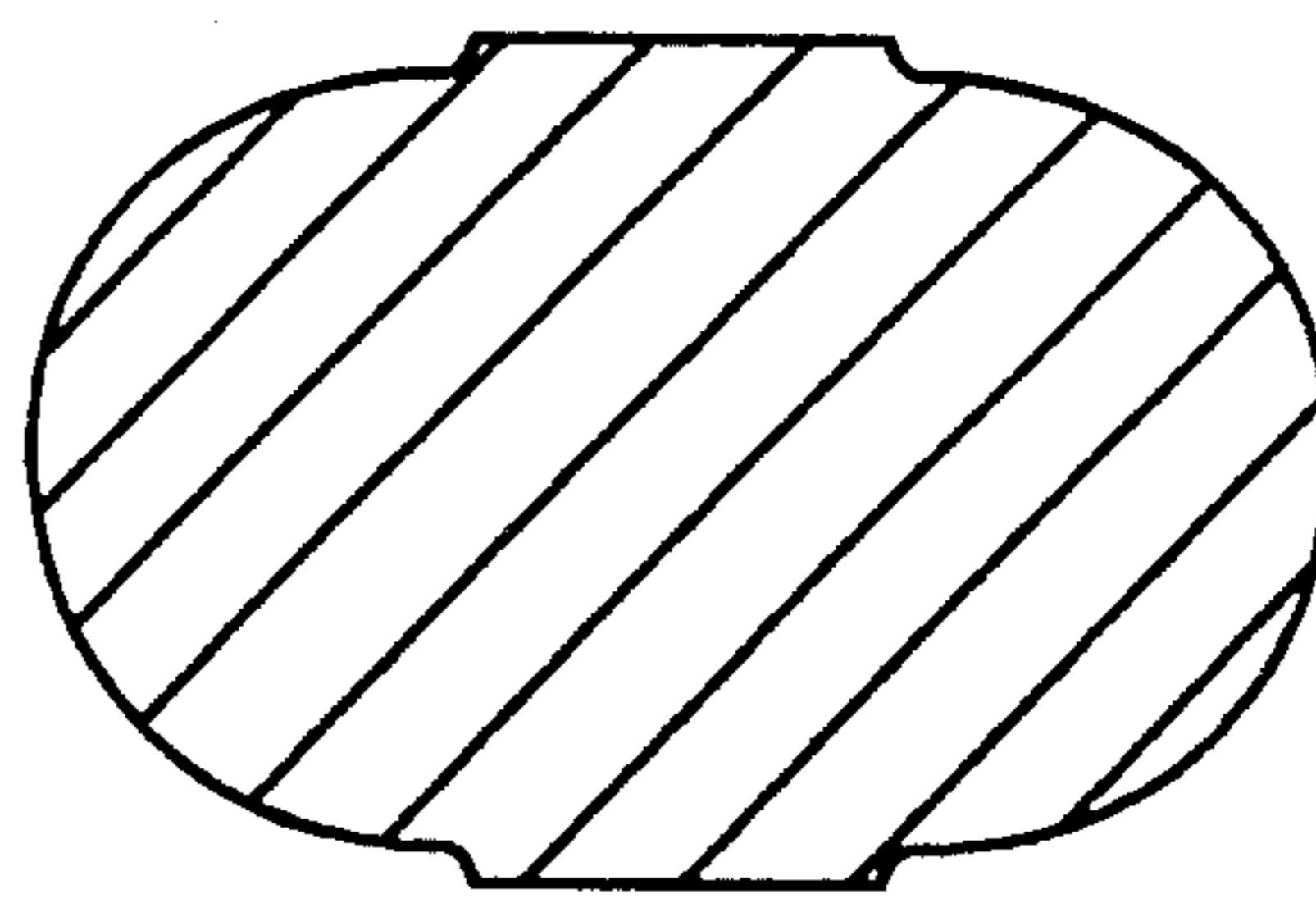


FIG. 7

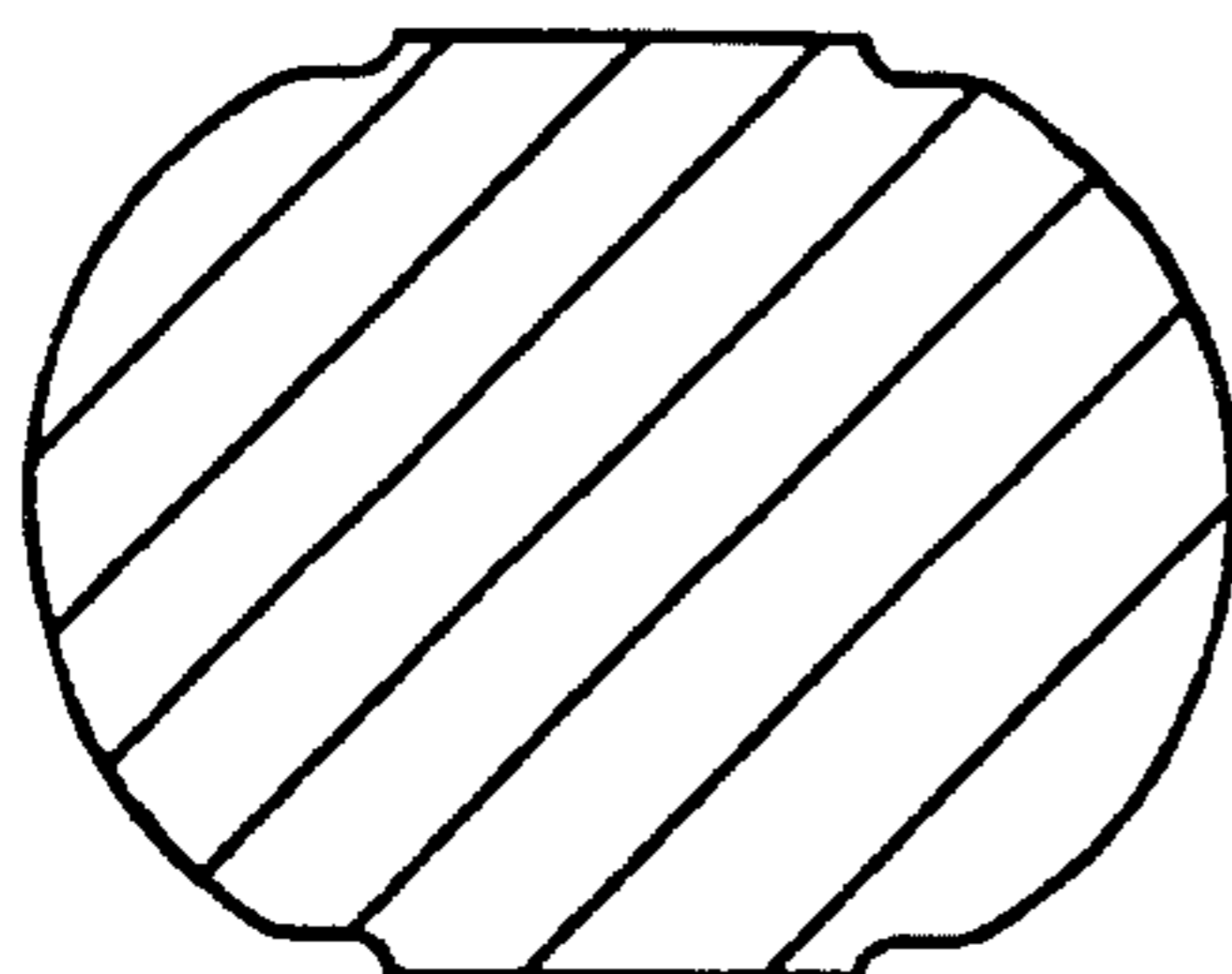


FIG. 8

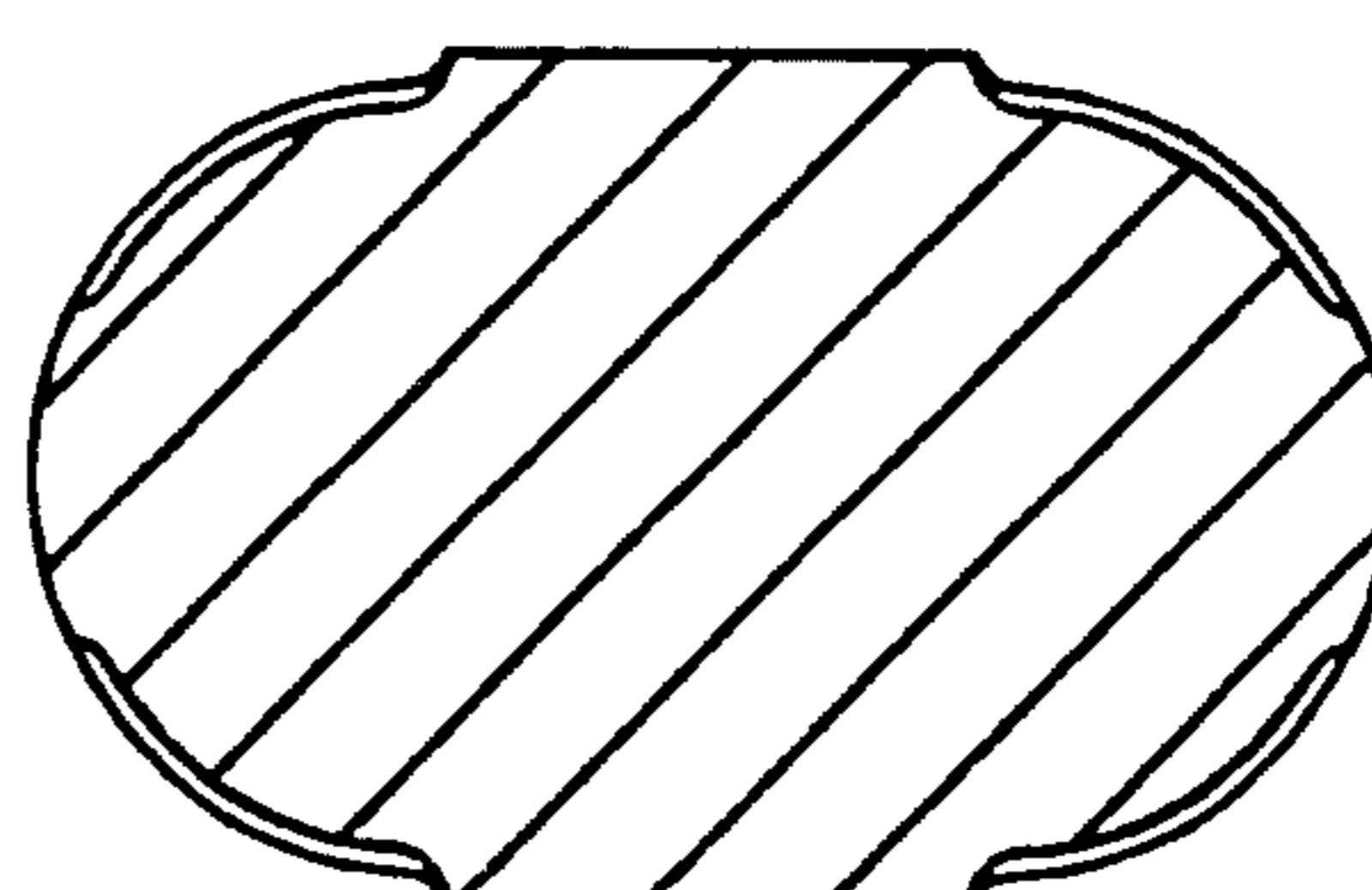


FIG. 9

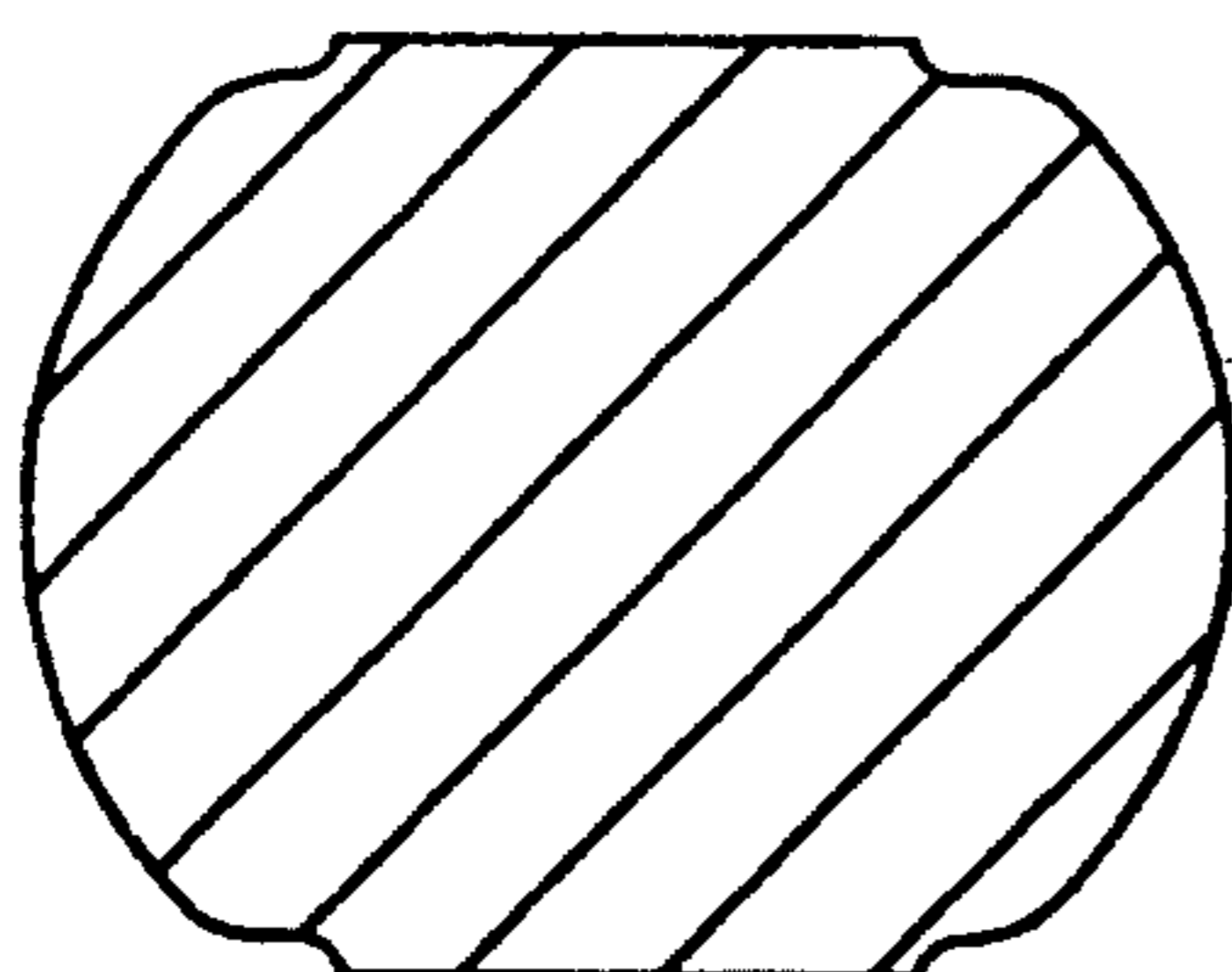


FIG. 10

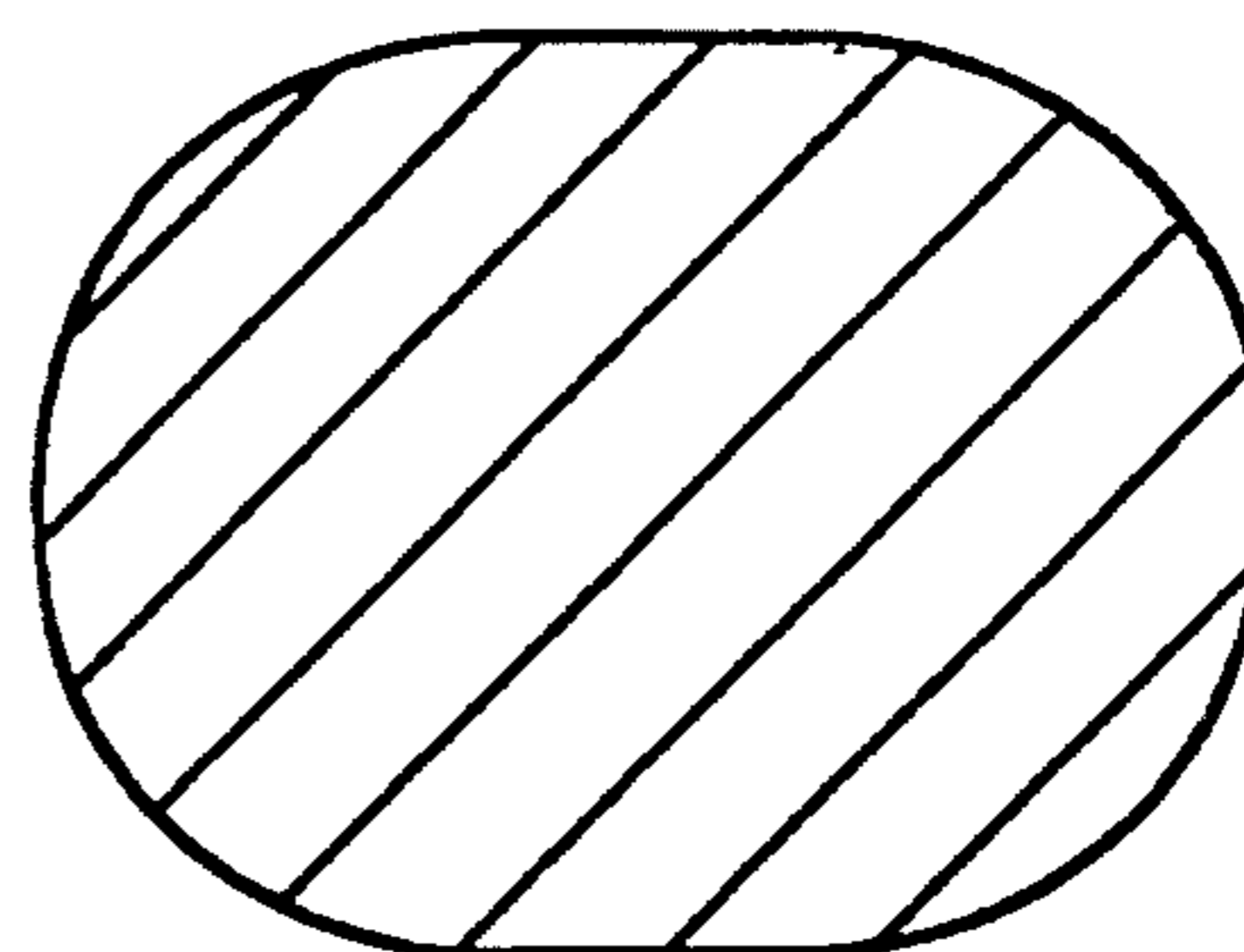


FIG. 11

