



US00D350267S

United States Patent [19]

[11] Patent Number: **Des. 350,267**

Tozawa

[45] Date of Patent: **** Sep. 6, 1994**

- [54] **CORDLESS DRIVER DRILL**
- [75] Inventor: **Katsumi Tozawa, Toyohashi, Japan**
- [73] Assignee: **Makita Corporation, Anjo, Japan**
- [**] Term: **14 Years**
- [21] Appl. No.: **10,392**
- [22] Filed: **Jul. 6, 1993**
- [30] **Foreign Application Priority Data**
 Jan. 7, 1993 [JP] Japan 5-252
- [52] U.S. Cl. **D8/68**
- [58] Field of Search D8/61, 68; 81/57.11,
 81/57.13; 173/170, 90, 93.7, 48; 408/124, 125,
 127

- D. 330,152 10/1992 Ogawa et al. D8/68
- D. 332,208 1/1993 Sakamoto et al. D8/68

OTHER PUBLICATIONS

Pp. 1,4,9,10,13,15,18, and 22 of Makita General Catalogue, 1991.

Primary Examiner—Alan P. Douglas
Assistant Examiner—J. H. Musgrove
Attorney, Agent, or Firm—Lahive & Cockfield

[57] CLAIM

The ornamental design for an cordless driver drill, as shown.

DESCRIPTION

FIG. 1 is a perspective view of an cordless driver drill showing our new design;
FIG. 2 is a right side elevational view;
FIG. 3 is a left side elevational view;
FIG. 4 is a front elevational view;
FIG. 5 is a rear side elevational view;
FIG. 6 is a top plan view; and,
FIG. 7 is a bottom plan view thereof.

- [56] **References Cited**
- U.S. PATENT DOCUMENTS**
- D. 300,178 4/1989 Fushiya et al. D8/68
- D. 301,114 5/1989 Fushiya et al. D8/68
- D. 314,498 2/1991 Hoshino et al. D8/68
- D. 328,411 8/1992 Cavedo D8/68

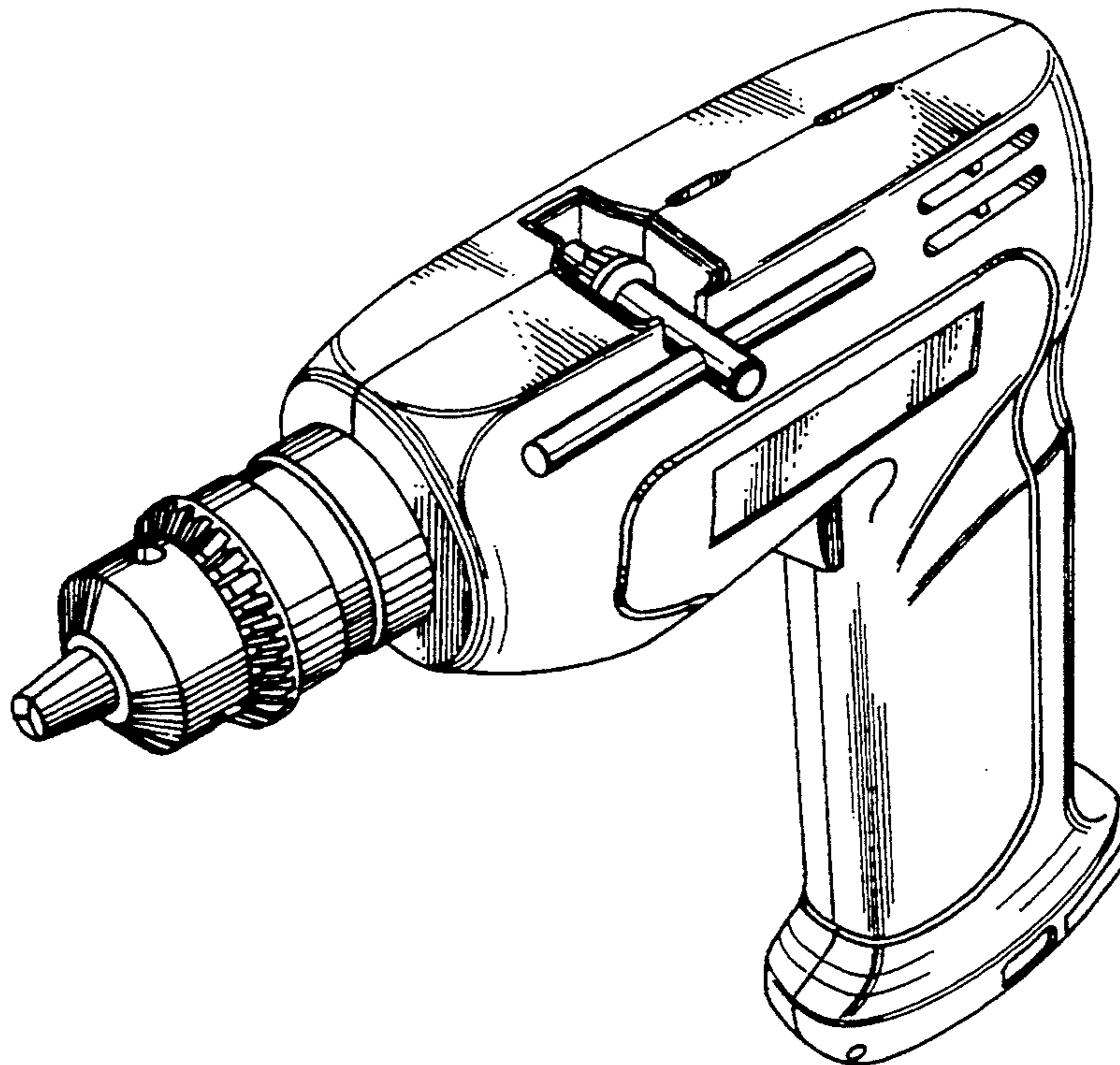


FIG. 1

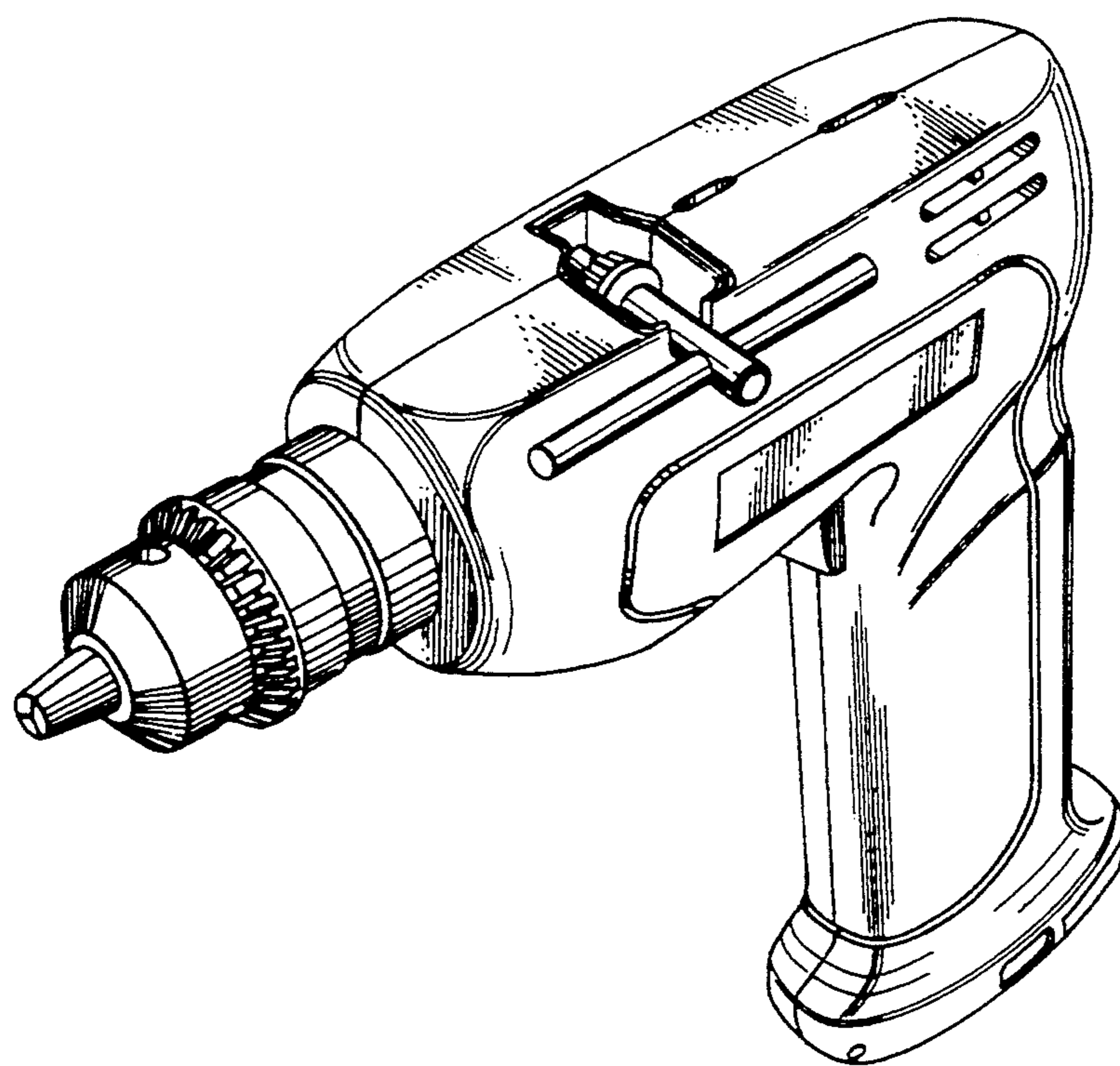


FIG. 2

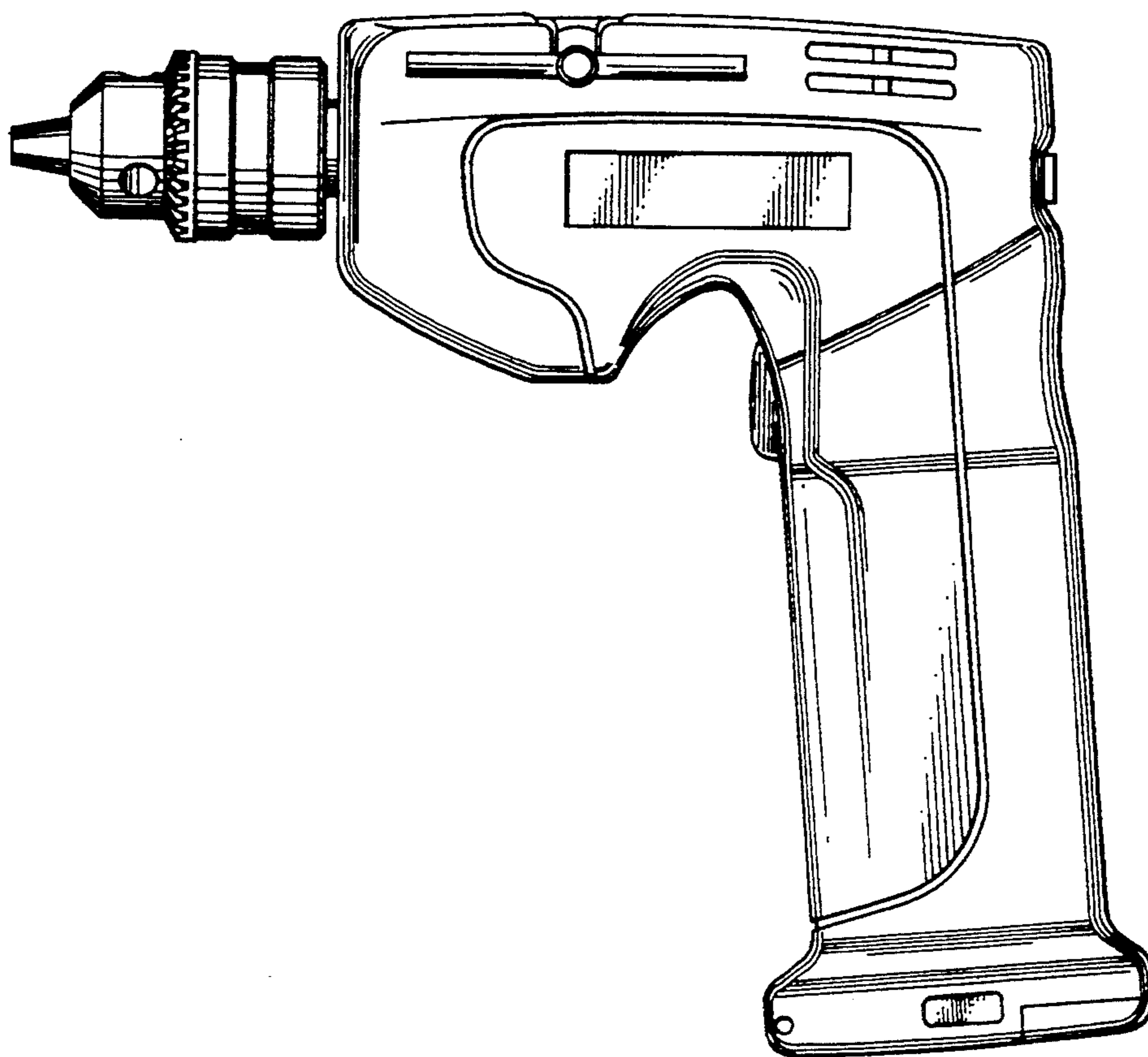


FIG. 3

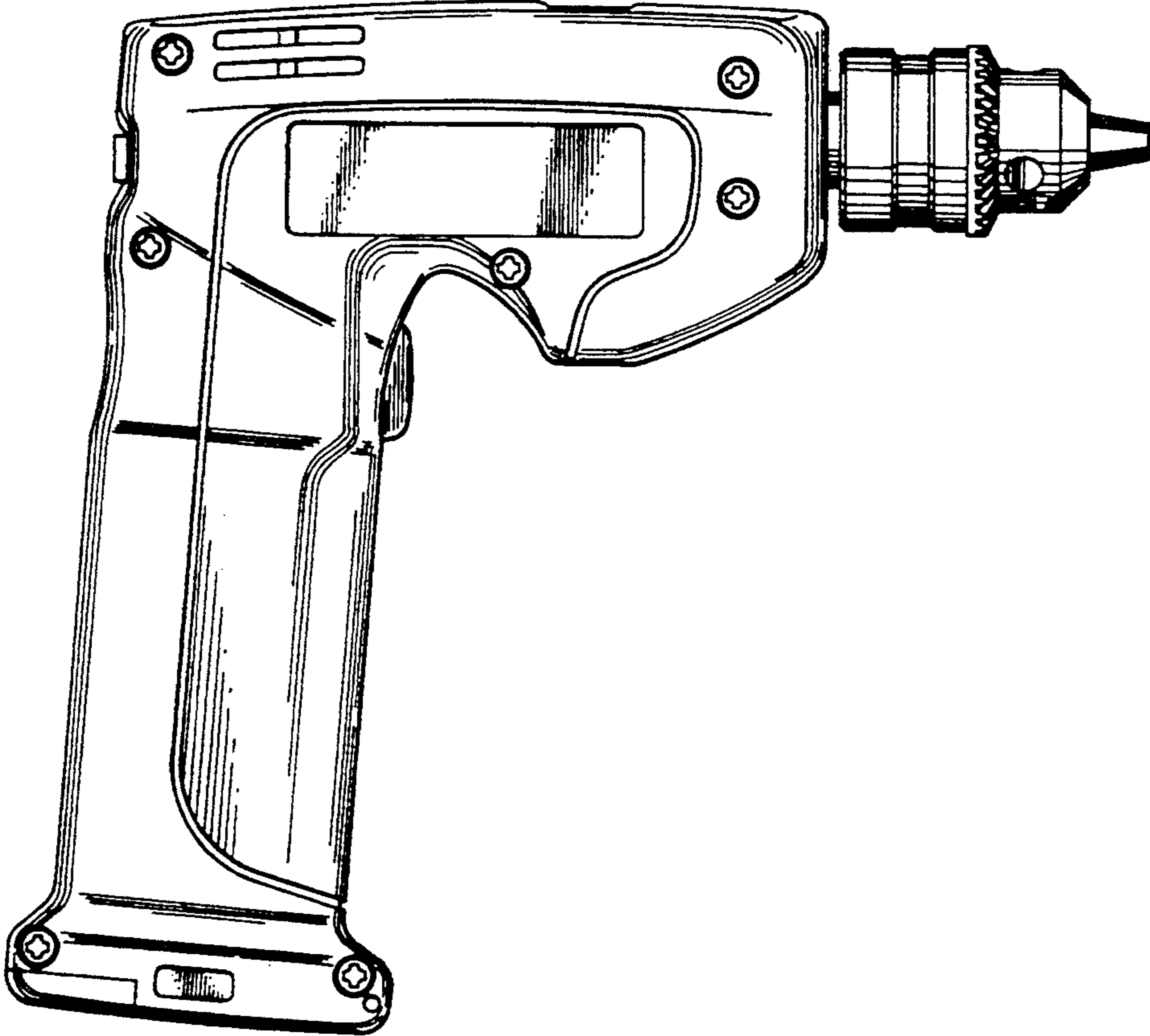


FIG. 4

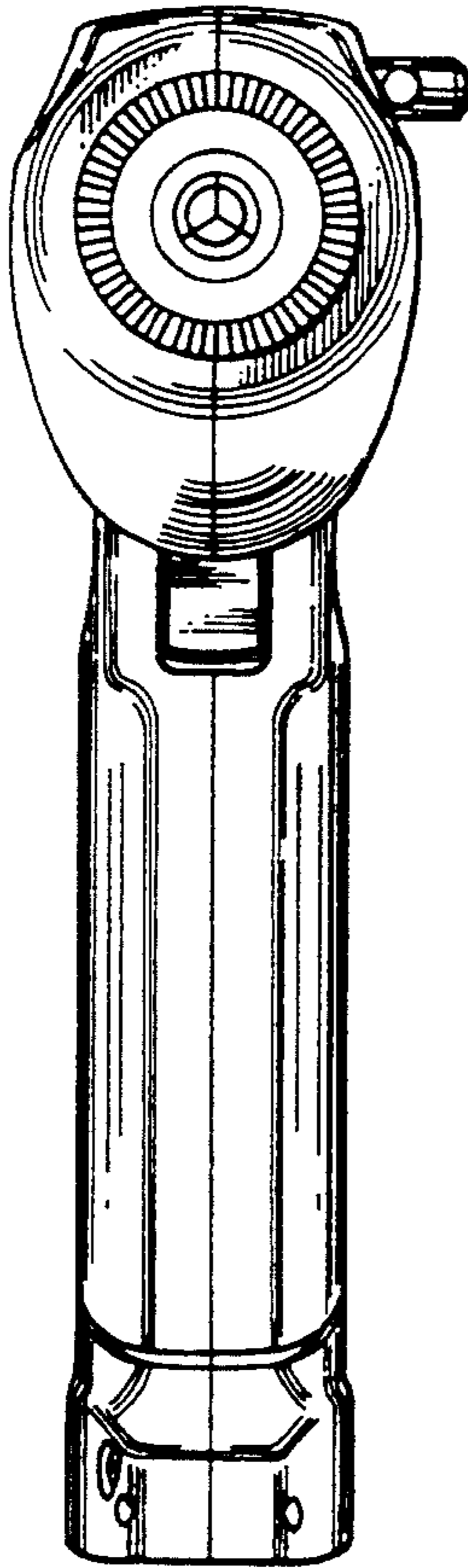


FIG. 5

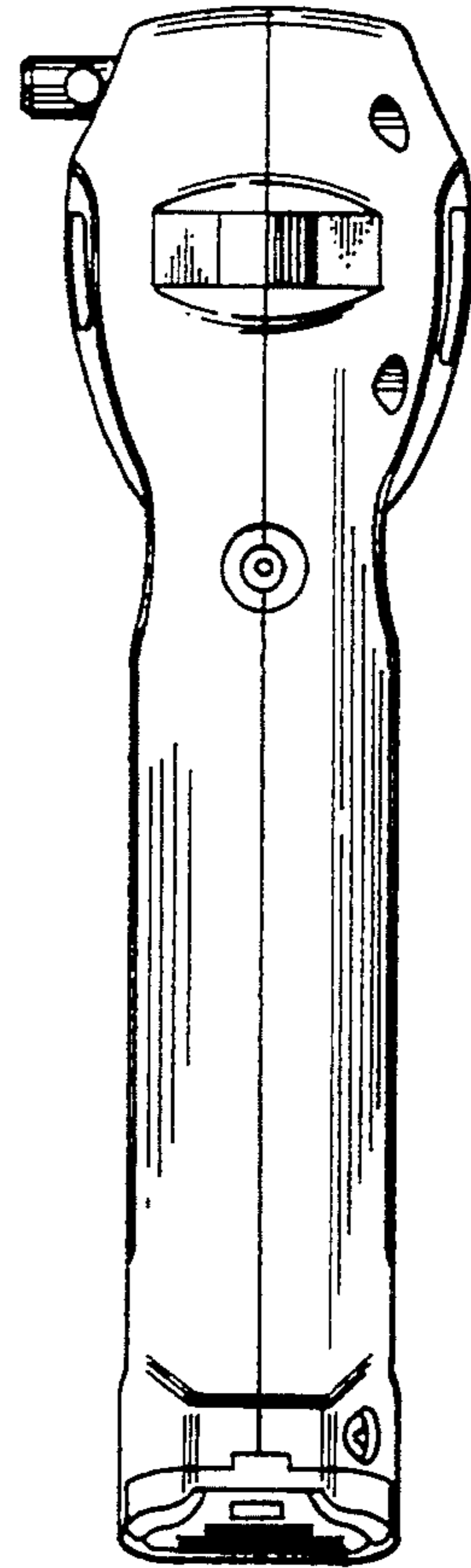


FIG. 6

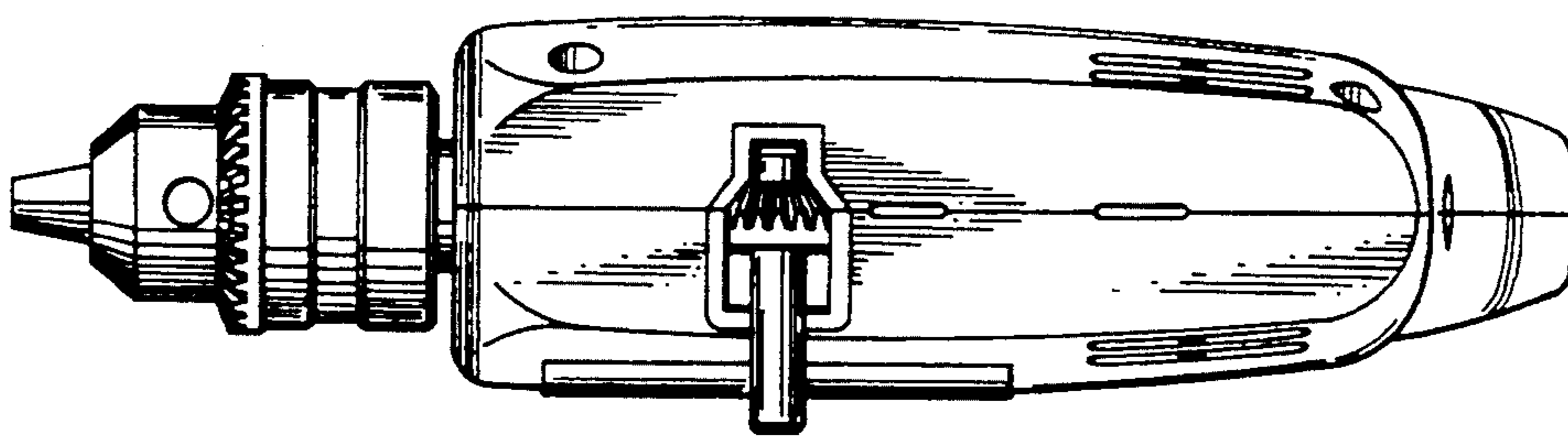


FIG. 7

