



US00D350263S

United States Patent [19] Maruyama

[11] Patent Number: **Des. 350,263**
[45] Date of Patent: **** Sep. 6, 1994**

[54] **PLASTIC WELDER**
[75] Inventor: **Ichiro Maruyama**, Osaka, Japan
[73] Assignee: **Fuji Impulse Co., Ltd.**, Osaka, Japan
[**] Term: **14 Years**
[21] Appl. No.: **8,743**
[22] Filed: **May 28, 1993**
[52] U.S. Cl. **D8/30**
[58] Field of Search **D8/29.1, 30; 156/579, 156/577, 290, 308.4; 219/129, 230, 241; 228/51, 56.3, 55**

4,916,289 4/1990 Suhanek 156/579

Primary Examiner—Alan P. Douglas
Assistant Examiner—J. H. Musgrove
Attorney, Agent, or Firm—Edwin E. Greigg; Ronald E. Greigg

[57] CLAIM

The ornamental design for a plastic welder, as shown and described.

DESCRIPTION

FIG. 1 is a perspective view of a plastic welder showing my new design;
FIG. 2 is a side elevation taken from the left of FIG. 1;
FIG. 3 is a side elevation taken from the right of FIG. 1;
FIG. 4 is a rear elevation;
FIG. 5 is a front elevation;
FIG. 6 is a top plan view; and,
FIG. 7 is a bottom plan view.

[56] **References Cited**
U.S. PATENT DOCUMENTS
3,867,226 2/1975 Guido et al. 156/579
3,909,341 9/1975 Moscovita 156/579
4,617,073 10/1986 Scott 156/579

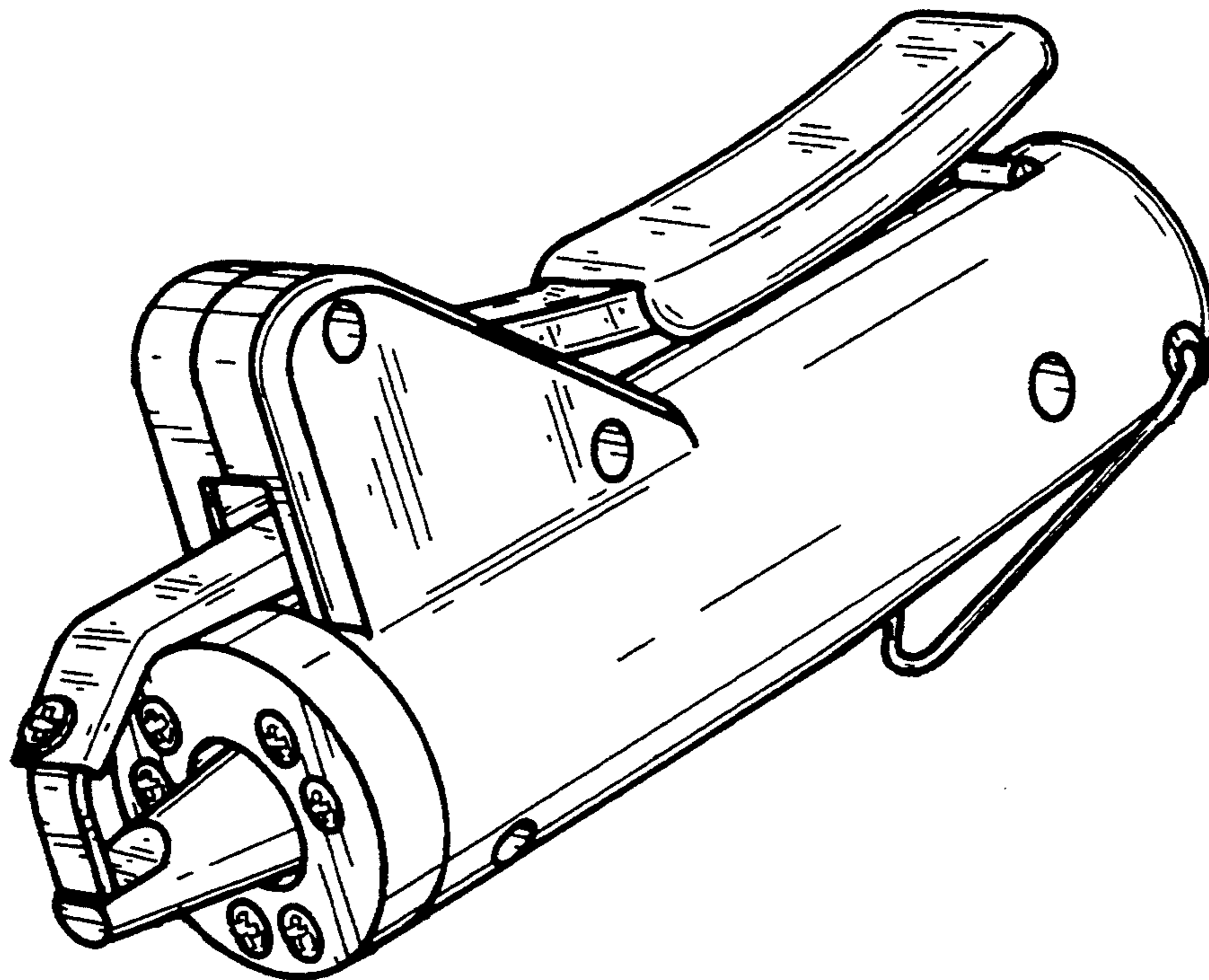


FIG. 1

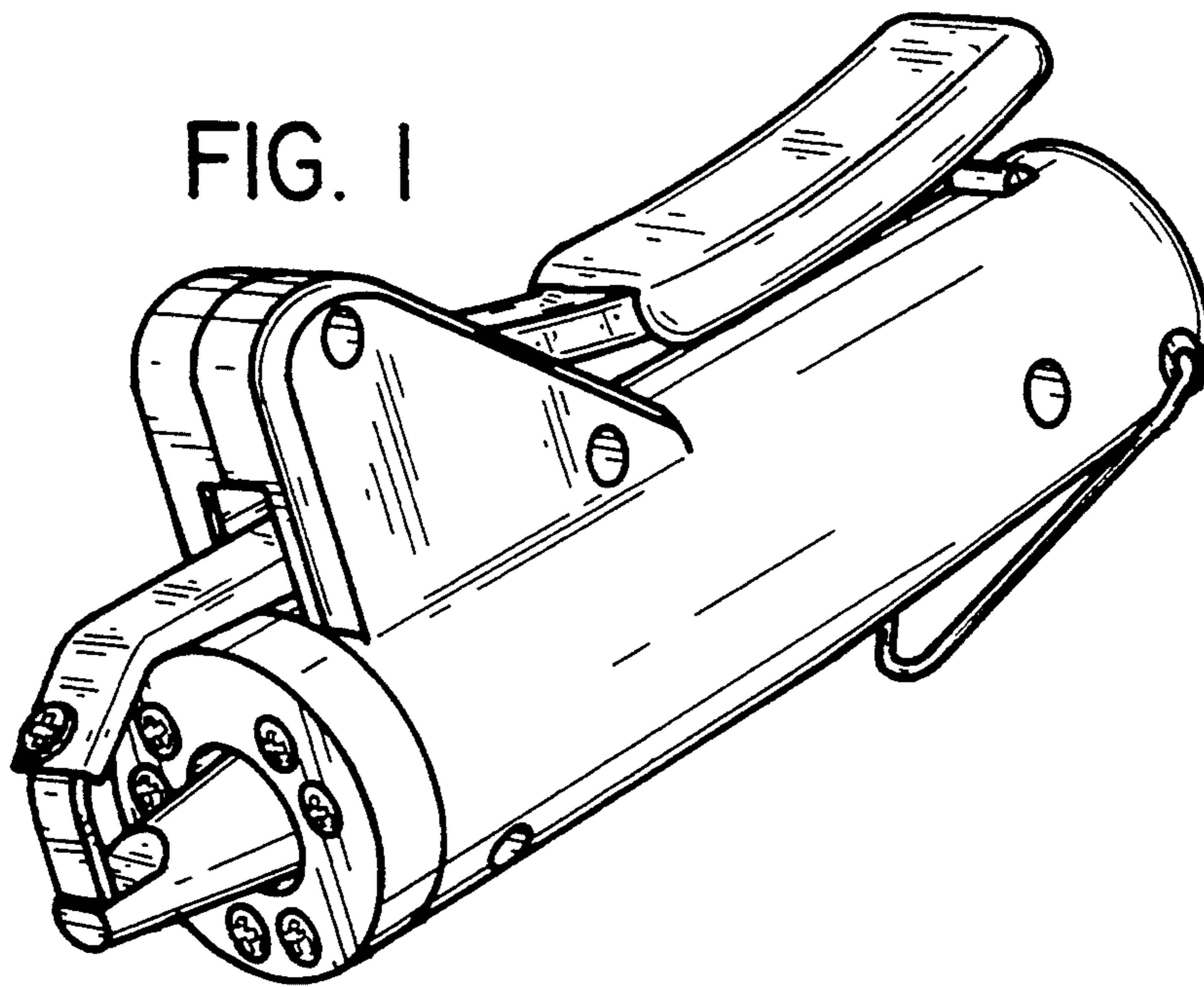


FIG. 2

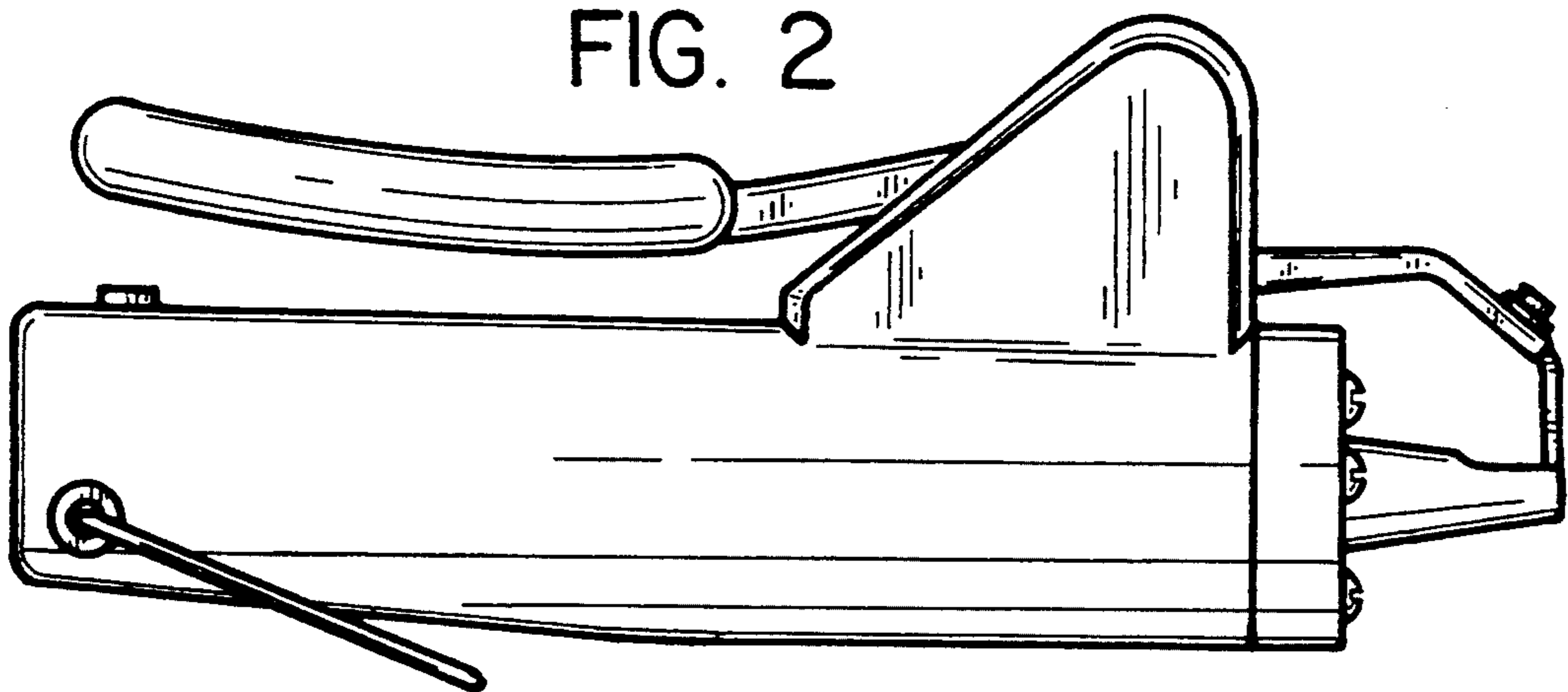
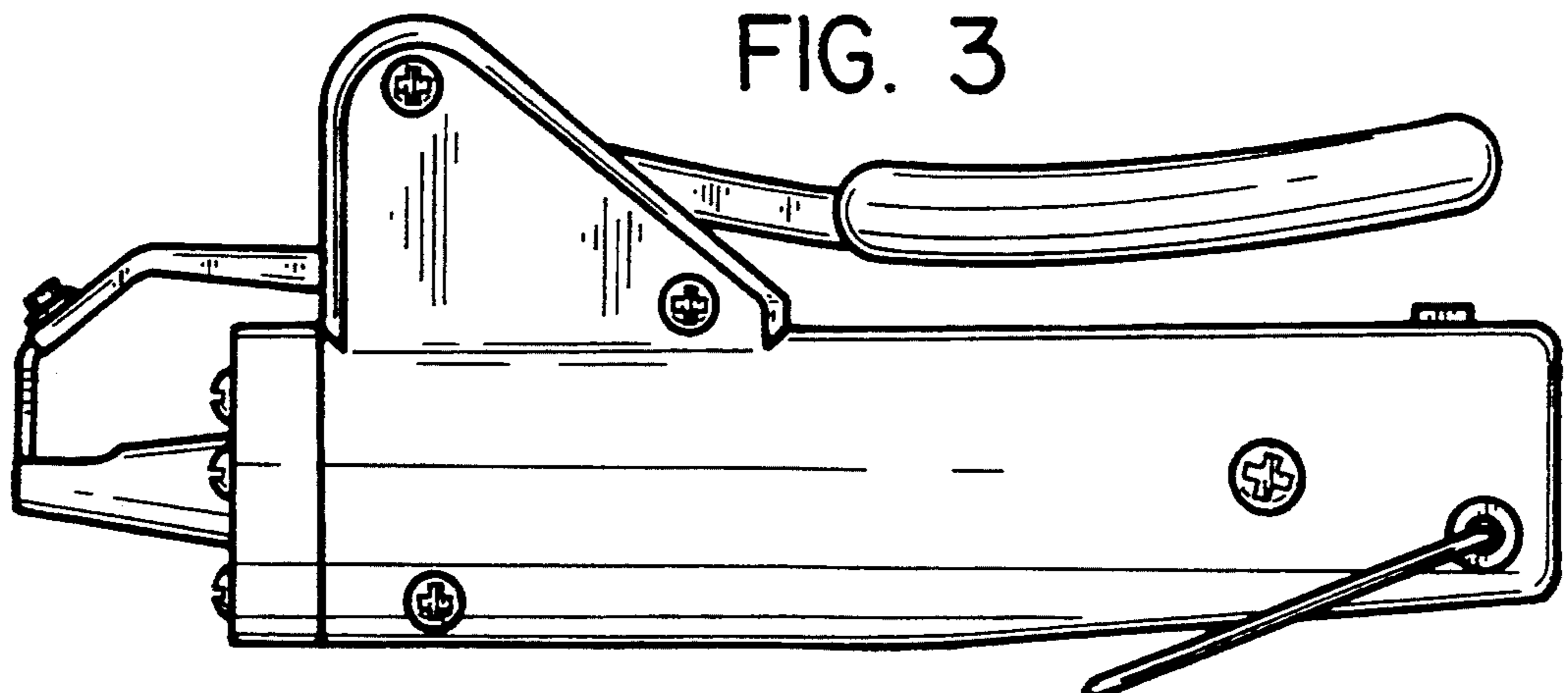


FIG. 3



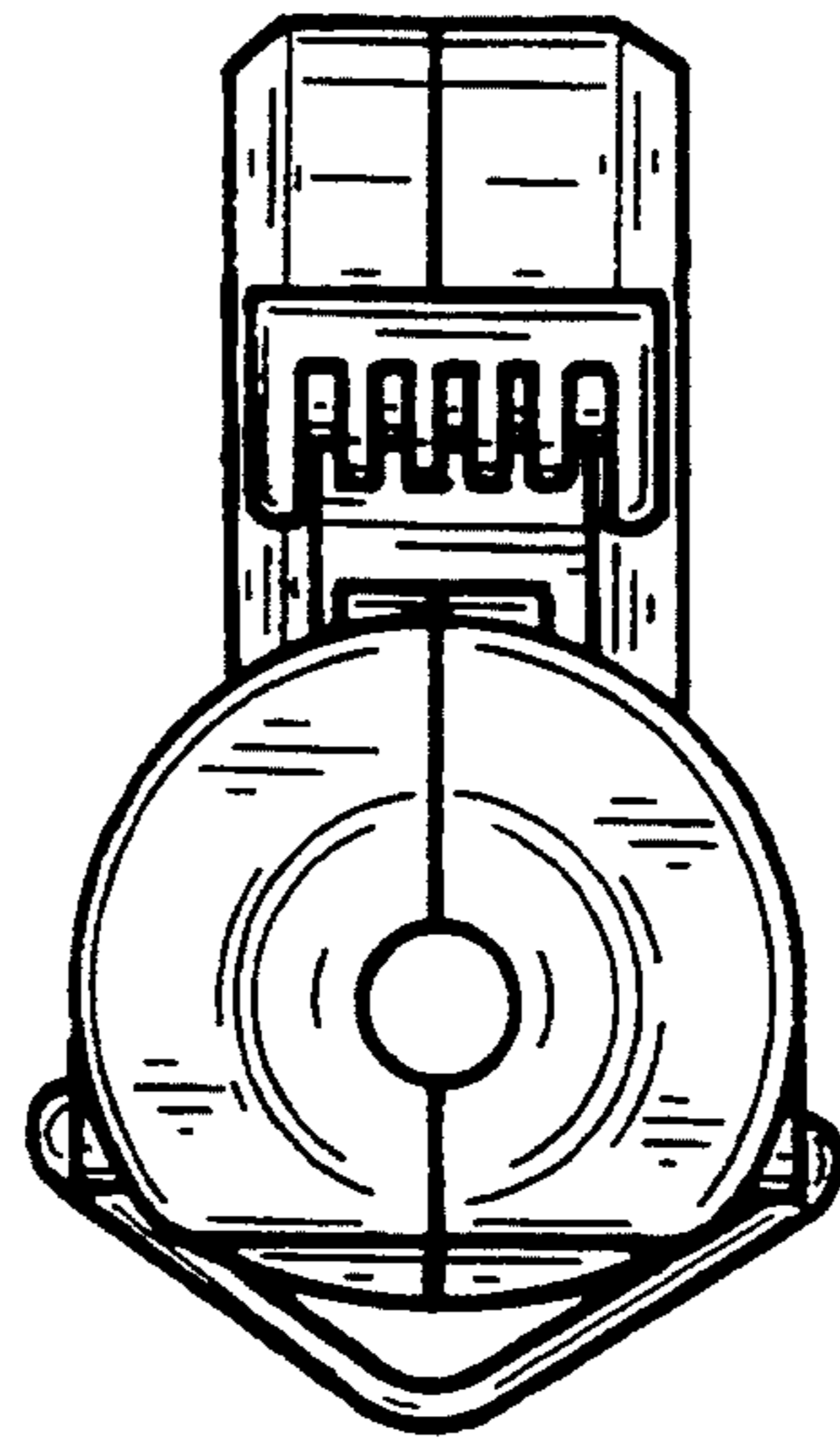
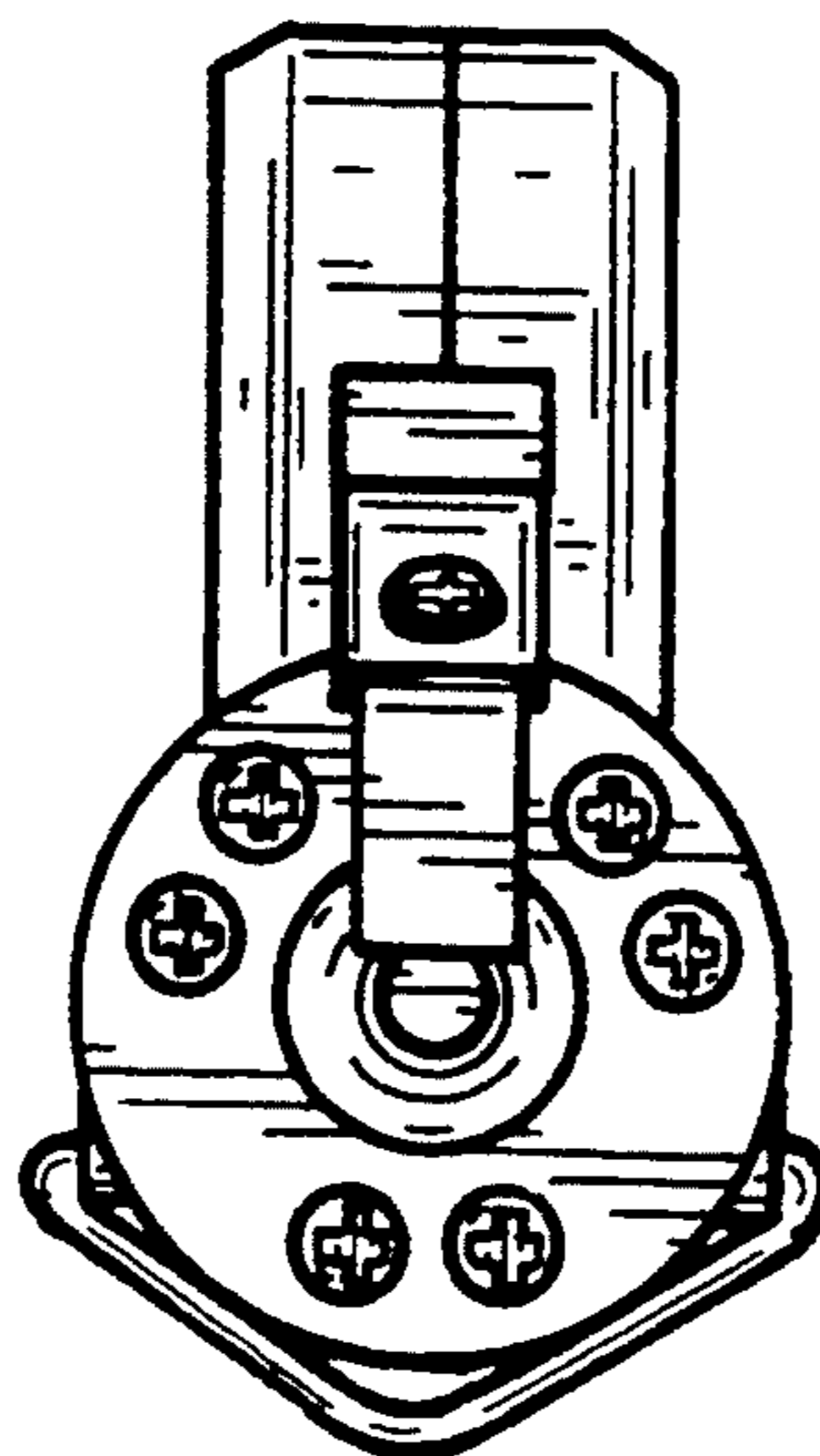


FIG. 4

FIG. 5



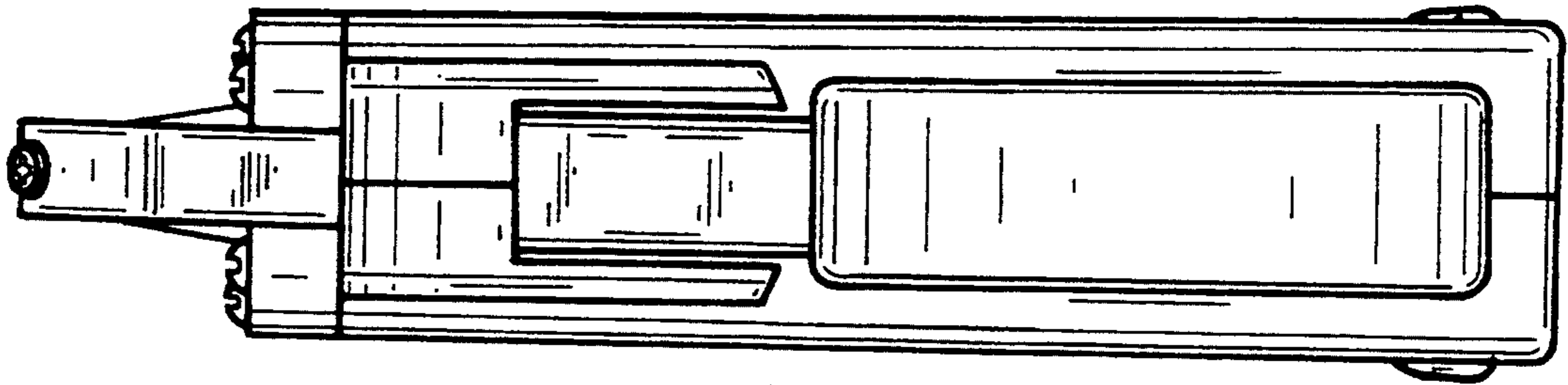


FIG. 6

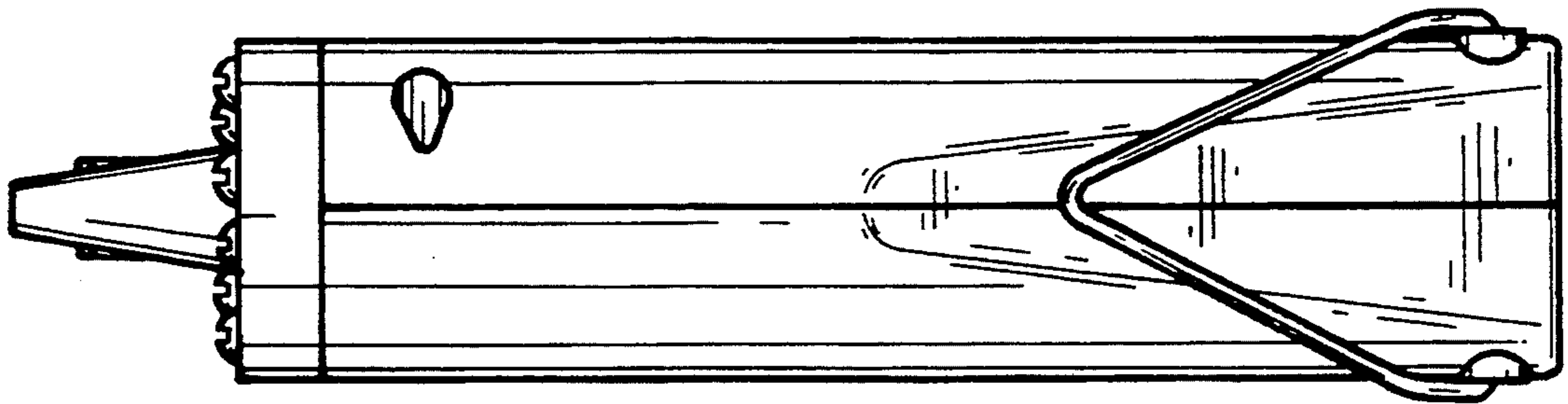


FIG. 7