



US00D350261S

United States Patent [19]

[11] Patent Number: **Des. 350,261**

Ahner

[45] Date of Patent: **** Sep. 6, 1994**

[54] SELF-CLEANING GARLIC PRESS

4,466,346 8/1984 Gemelli 100/112

[76] Inventor: **Reinhard Ahner, A-2391**
Kaltenleutgeben, StefanieGasse 50,
Austria

FOREIGN PATENT DOCUMENTS

1111677 11/1955 France .

[**] Term: **14 Years**

Primary Examiner—Terry A. Wallace

[21] Appl. No.: **8,788**

[57] CLAIM

The ornamental design for a self-cleaning garlic press, as shown and described.

[22] Filed: **May 28, 1993**

[52] U.S. Cl. **D7/666**

[58] Field of Search **D7/665-666;**
100/110, 112, 125, 234, 243

DESCRIPTION

FIG. 1 is a perspective view of a self-cleaning garlic press showing my new design;
FIG. 2 is a left side elevational view thereof, the opposite side being a mirror image;
FIG. 3 is a top plan view thereof;
FIG. 4 is a bottom plan view thereof;
FIG. 5 is a front elevational view thereof;
FIG. 6 is a rear elevational view thereof; and,
FIG. 7 is a perspective view thereof in an open position.

[56] References Cited

U.S. PATENT DOCUMENTS

D. 343,550	1/1994	Tanfoglio	D7/666
2,776,616	1/1957	Sarossy	100/234
3,580,168	5/1971	Zysset	100/234
4,069,752	1/1978	Ahner	100/112

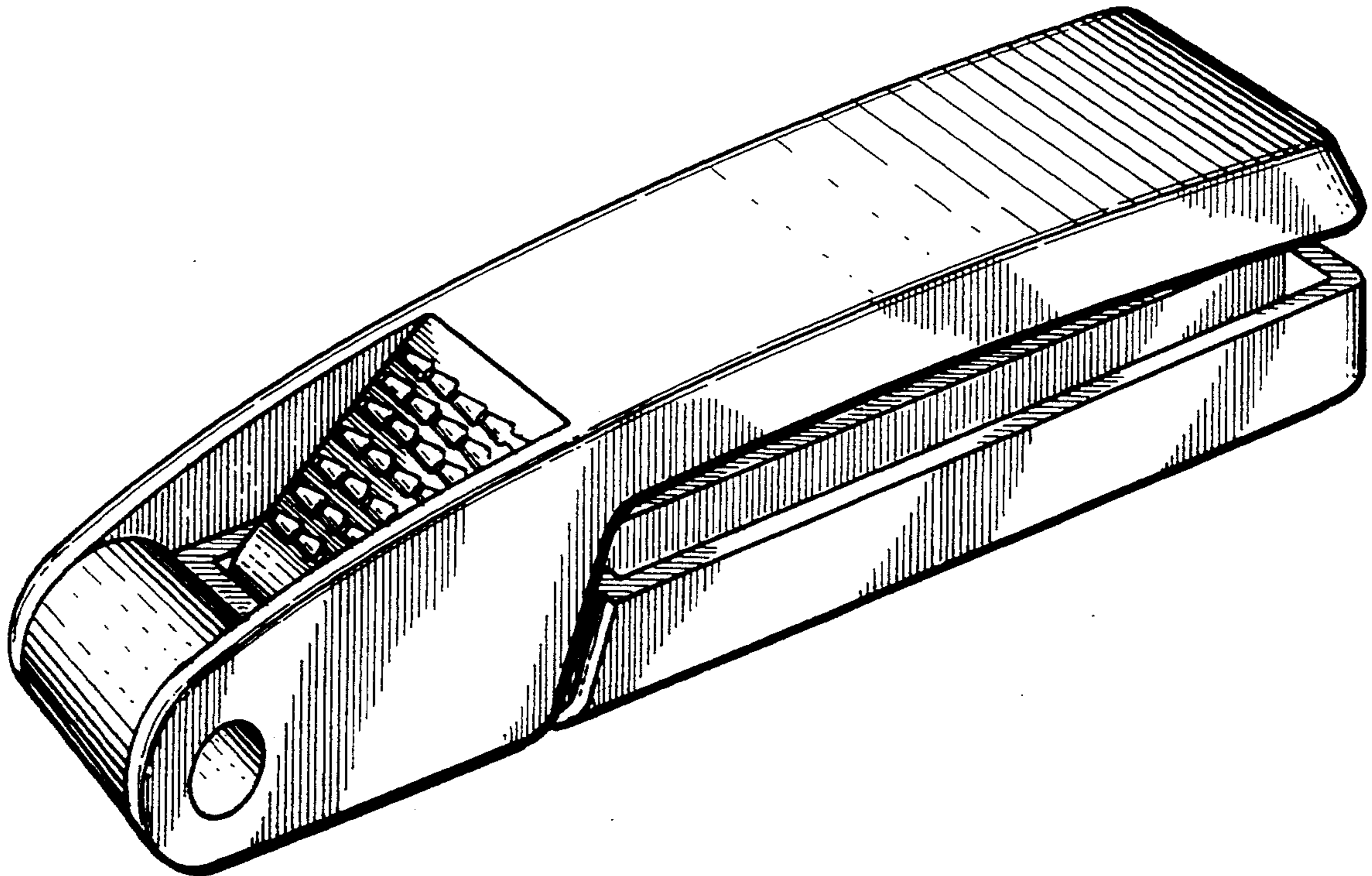


FIG. 1

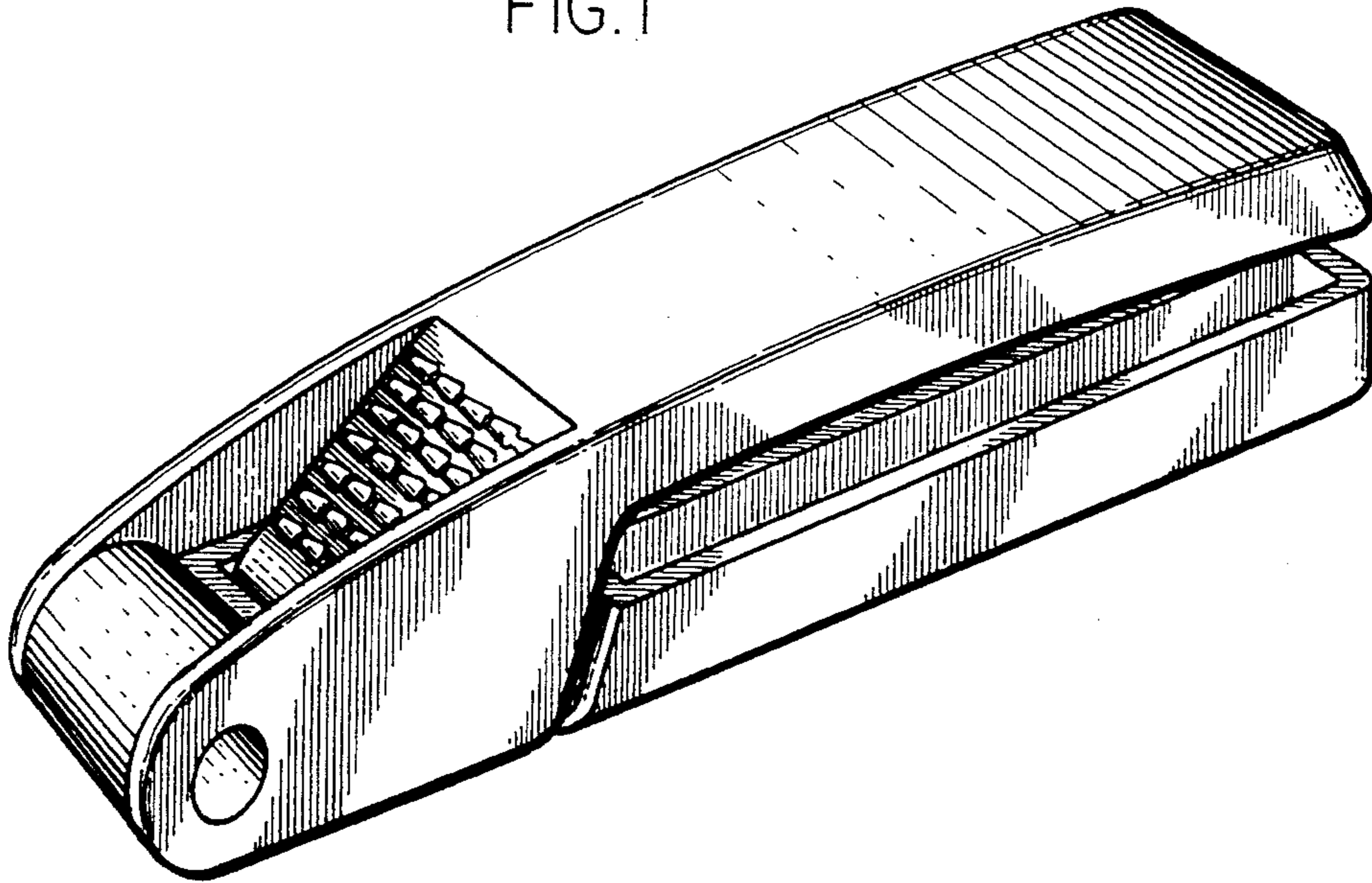


FIG. 2

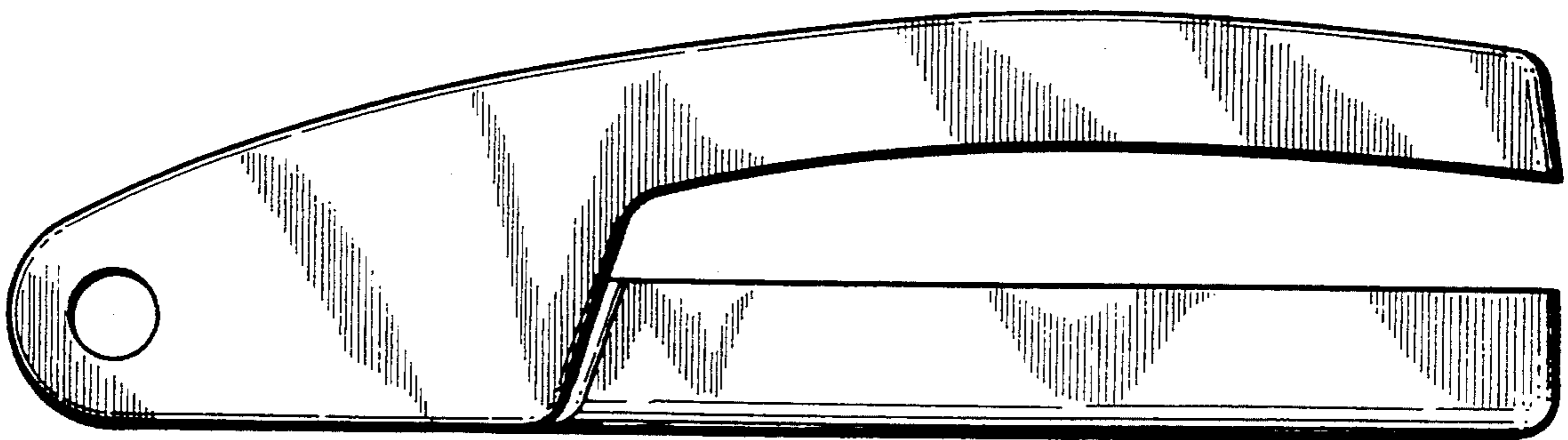


FIG. 3

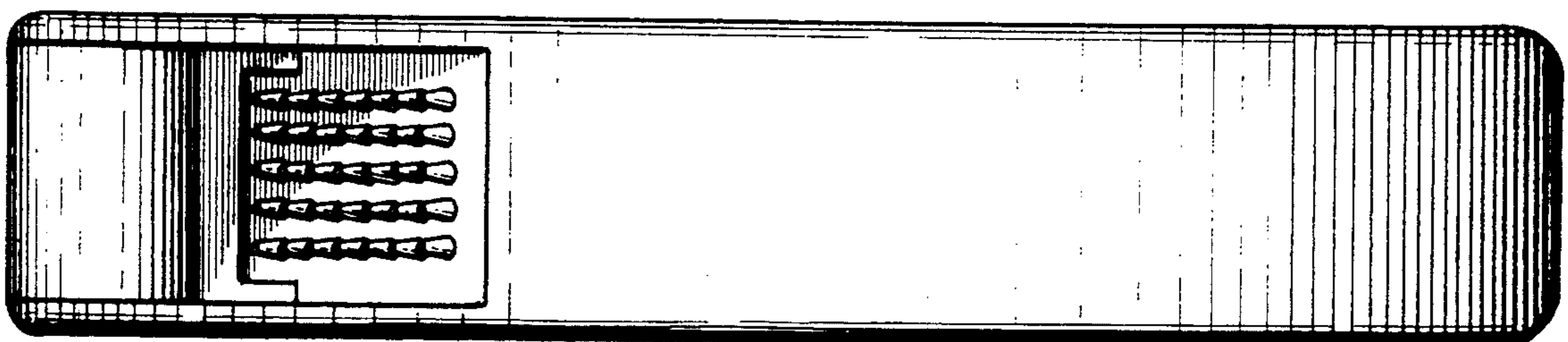


FIG. 4

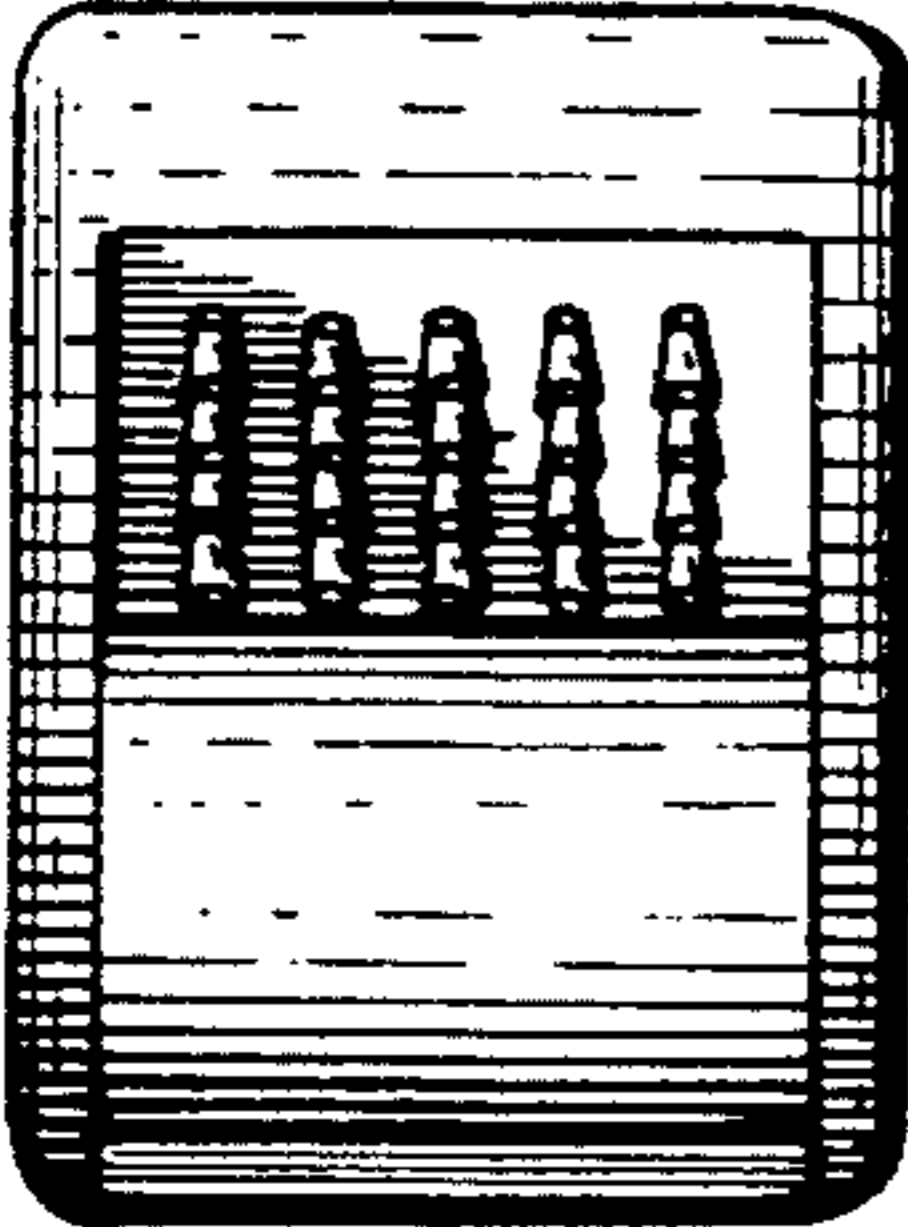
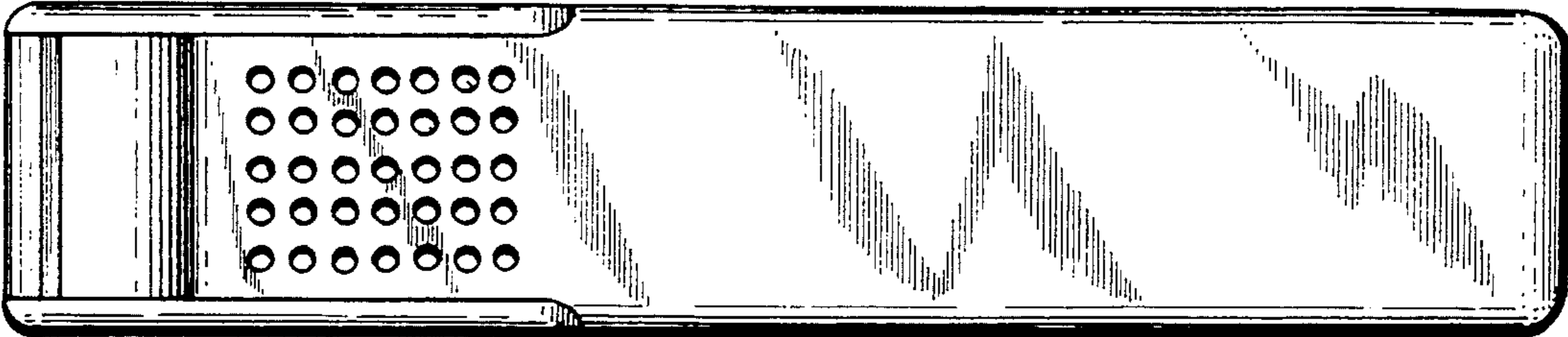


FIG. 5

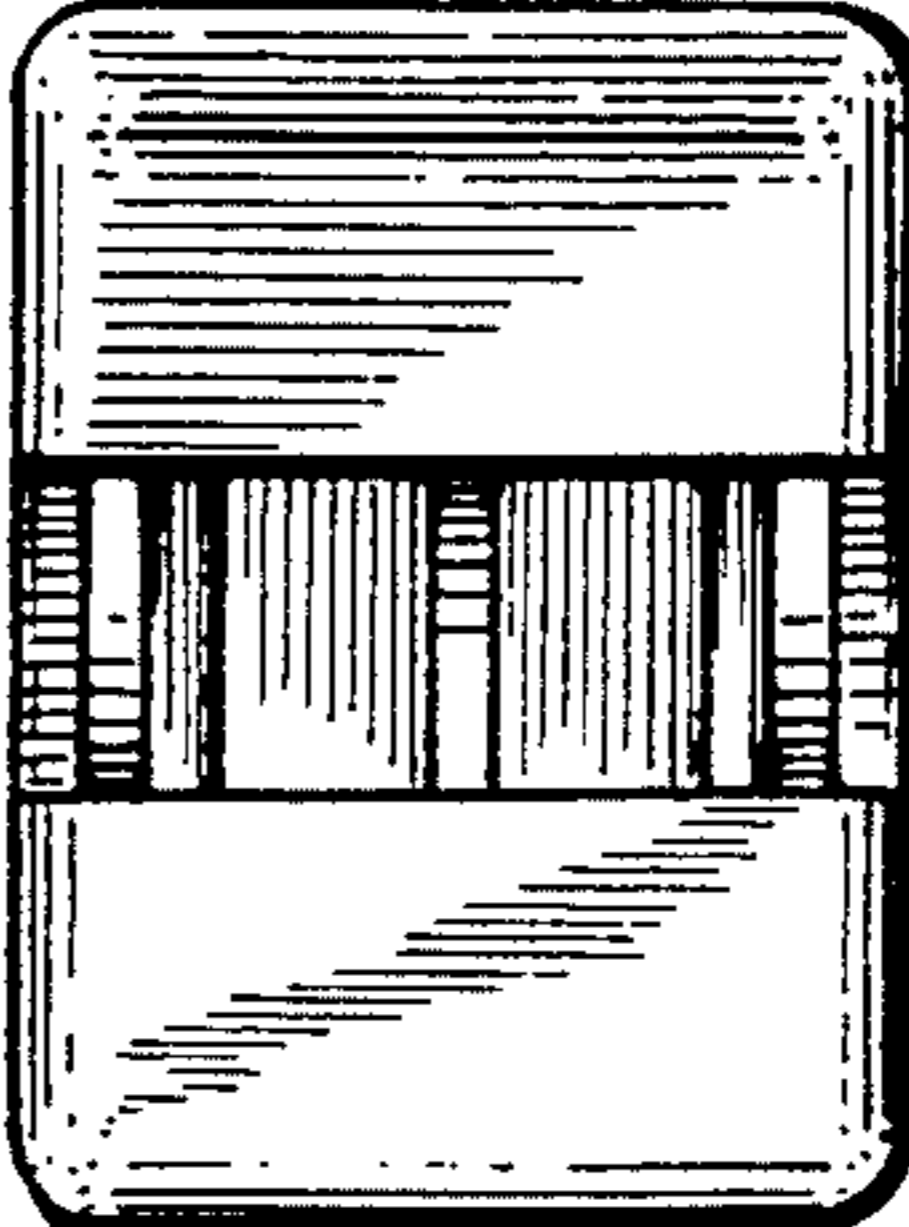


FIG. 6

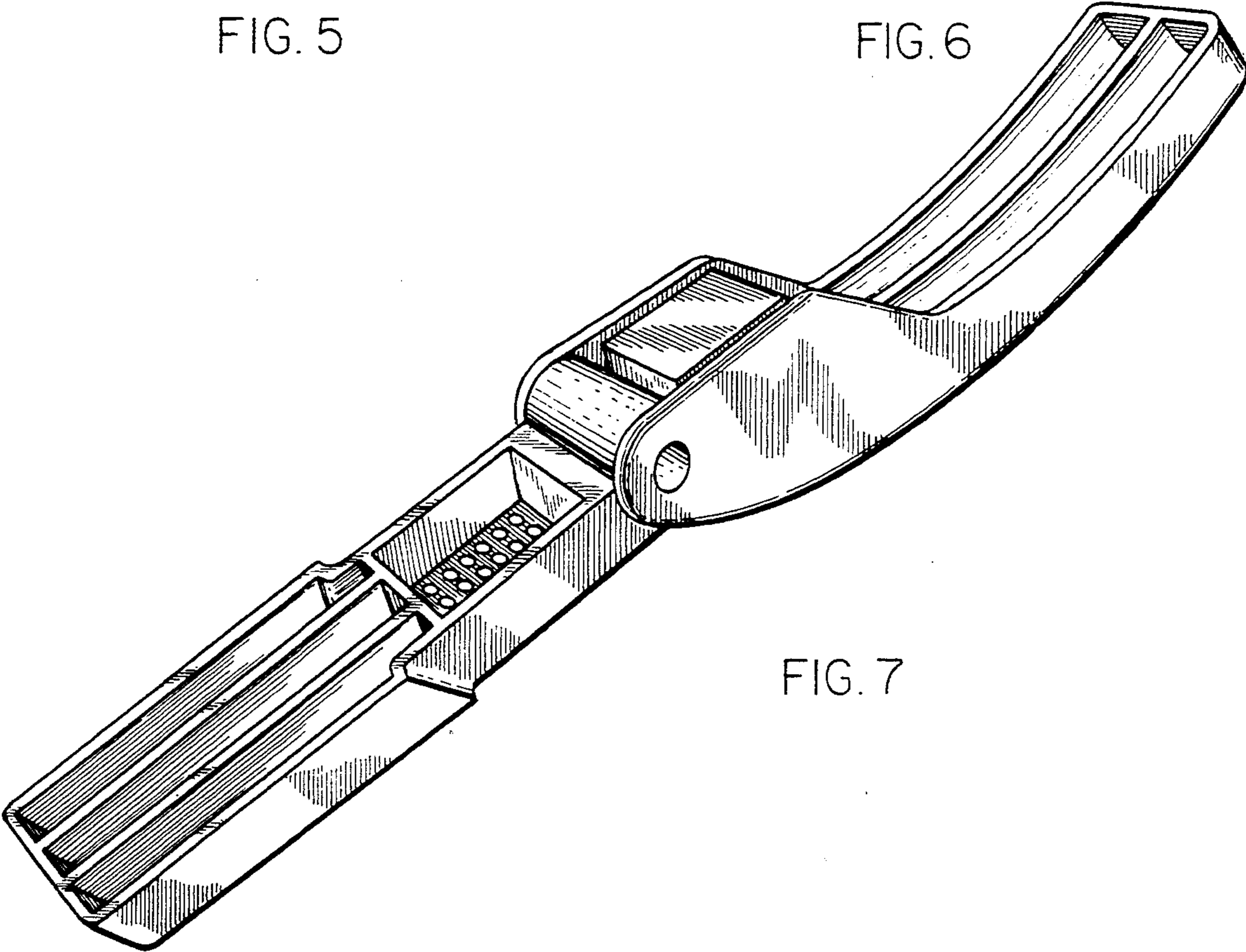


FIG. 7