



US00D350259S

United States Patent [19]

[11] Patent Number: **Des. 350,259**

Ayotte

[45] Date of Patent: **** Sep. 6, 1994**

[54] REAR CUP HOLDER ARMREST

[75] Inventor: **John P. Ayotte, Eagan, Minn.**

[73] Assignee: **MTS Northwest Sound, Inc., Minneapolis, Minn.**

[**] Term: **14 Years**

[21] Appl. No.: **481**

[22] Filed: **Oct. 14, 1992**

[52] U.S. Cl. **D7/620; D12/471**

[58] Field of Search **D7/619-622, D7/616; D3/40; D6/500-503, 510-511; 211/71, 74, 75; 224/42.45 R, 42.43; 248/311.2, 214; 297/194**

[56] References Cited

U.S. PATENT DOCUMENTS

D. 326,589	6/1992	White et al.	D7/620
2,704,114	3/1955	Williams	155/112
4,613,048	9/1986	McGill	211/71
4,795,211	1/1989	Stern et al.	297/194
5,232,262	8/1993	Tseng	297/194
5,238,212	8/1993	Dechellis	297/194 X

FOREIGN PATENT DOCUMENTS

3143957A1 11/1981 Fed. Rep. of Germany .

Primary Examiner—Terry A. Wallace
Attorney, Agent, or Firm—Westman, Champlin & Kelly

[57] CLAIM

The ornamental design for a rear cup holder armrest, as shown and described.

DESCRIPTION

FIG. 1 is a perspective view of a rear cup holder armrest showing my new design, the chair and armrest shown in broken lines for illustrative purposes only and forming no part of the claim;

FIG. 2 is a side view thereof;

FIG. 3 is a front perspective view thereof;

FIG. 4 is a rear perspective view thereof;

FIG. 5 is a top plan view thereof;

FIG. 6 is a bottom plan view thereof;

FIG. 7 is a side elevational view of an alternate embodiment of FIG. 1;

FIG. 8 is a front perspective view of FIG. 7;

FIG. 9 is a rear perspective view of FIG. 7;

FIG. 10 is a top plan view of FIG. 7; and,

FIG. 11 is a bottom plan view of FIG. 7.

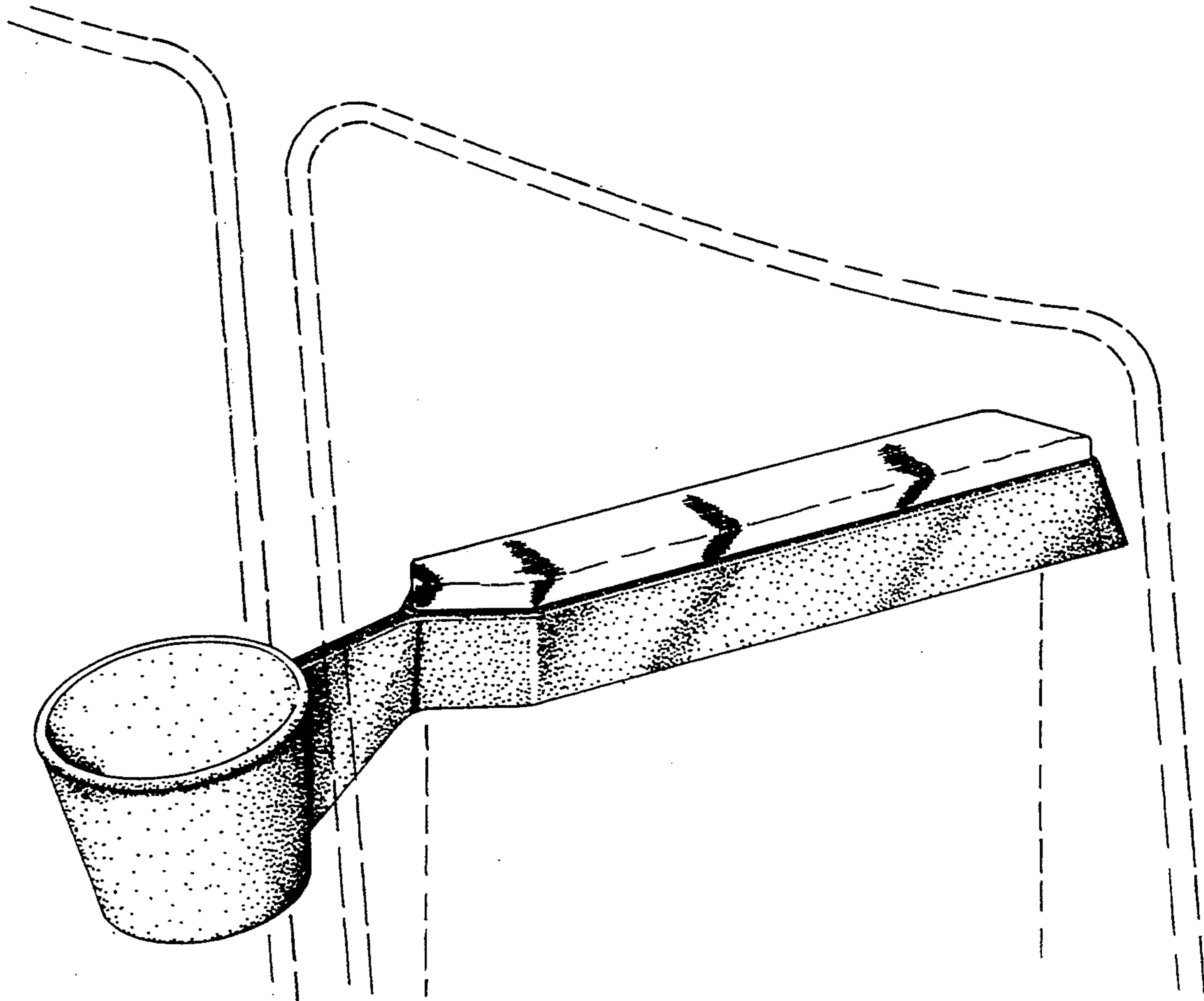
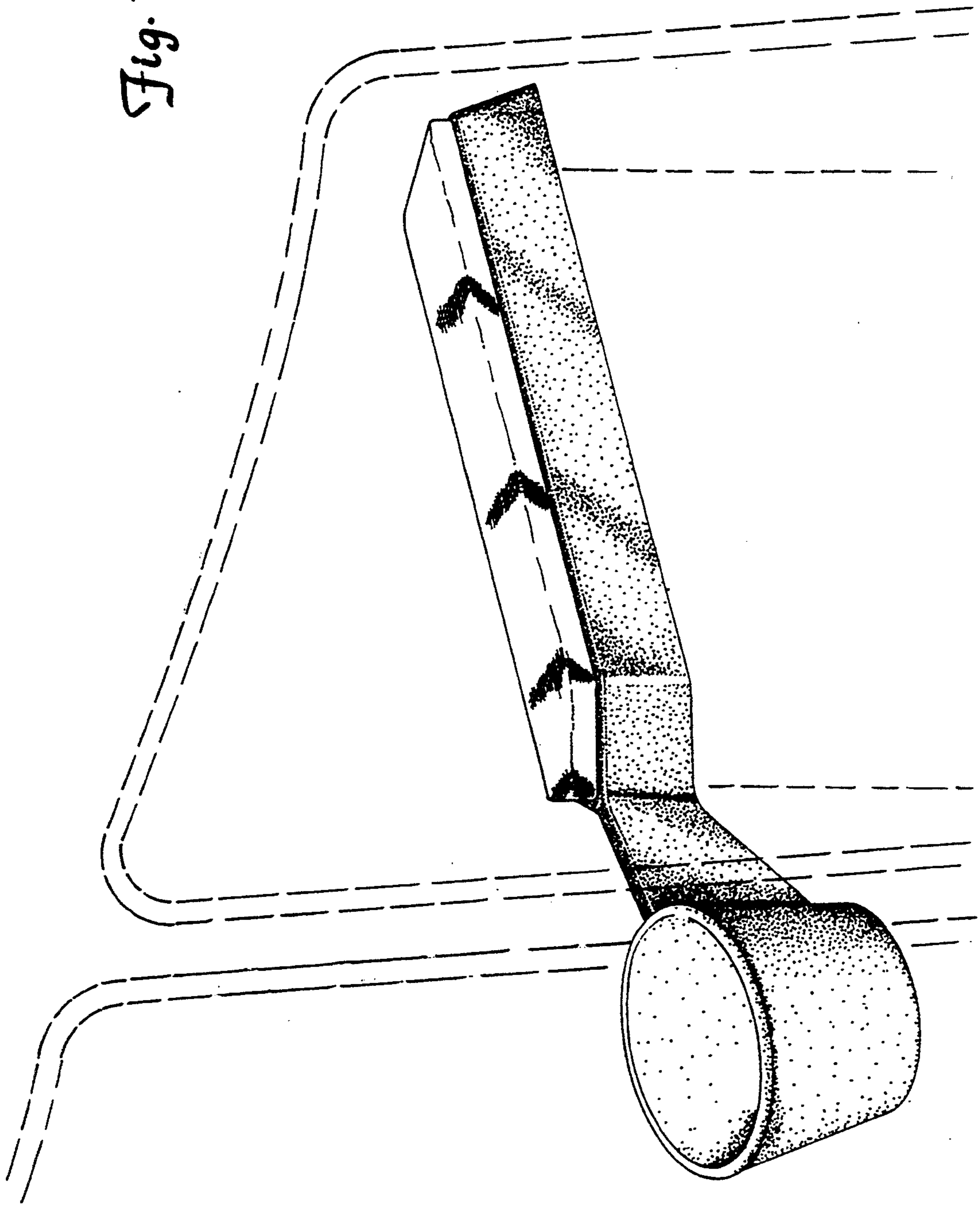
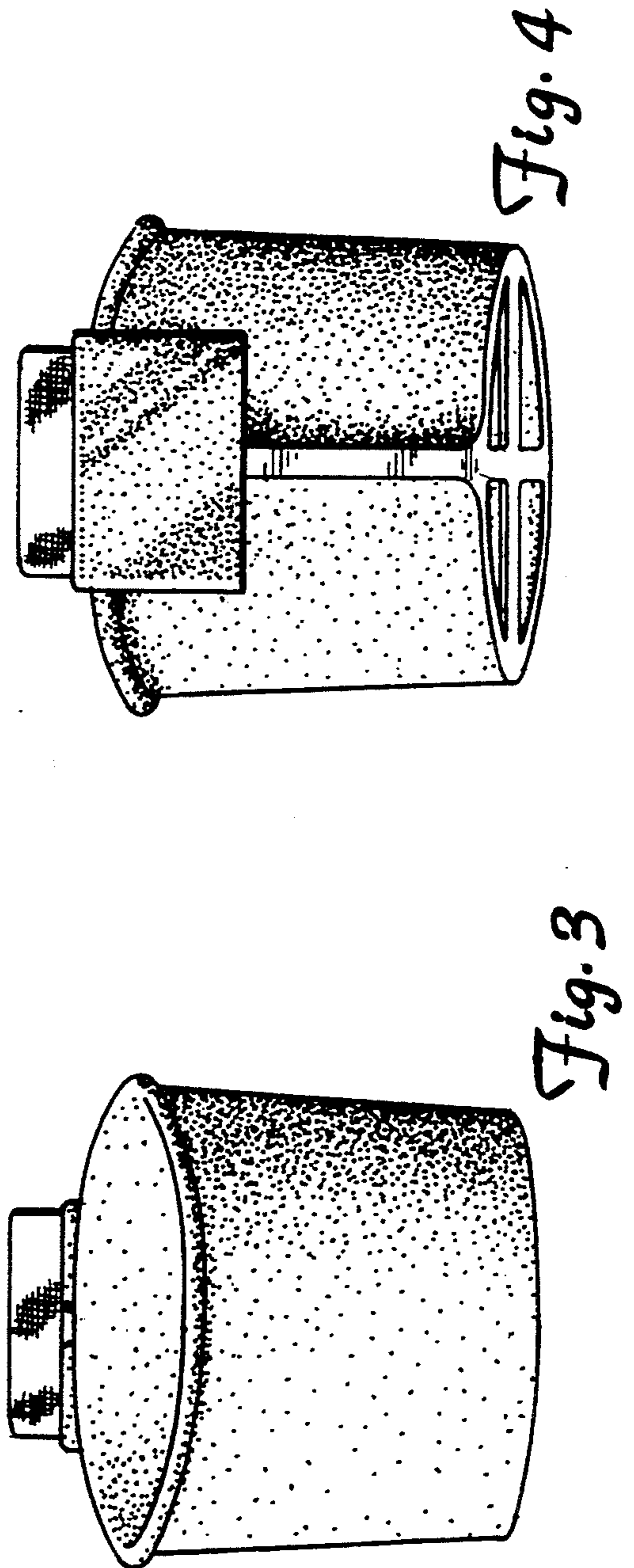
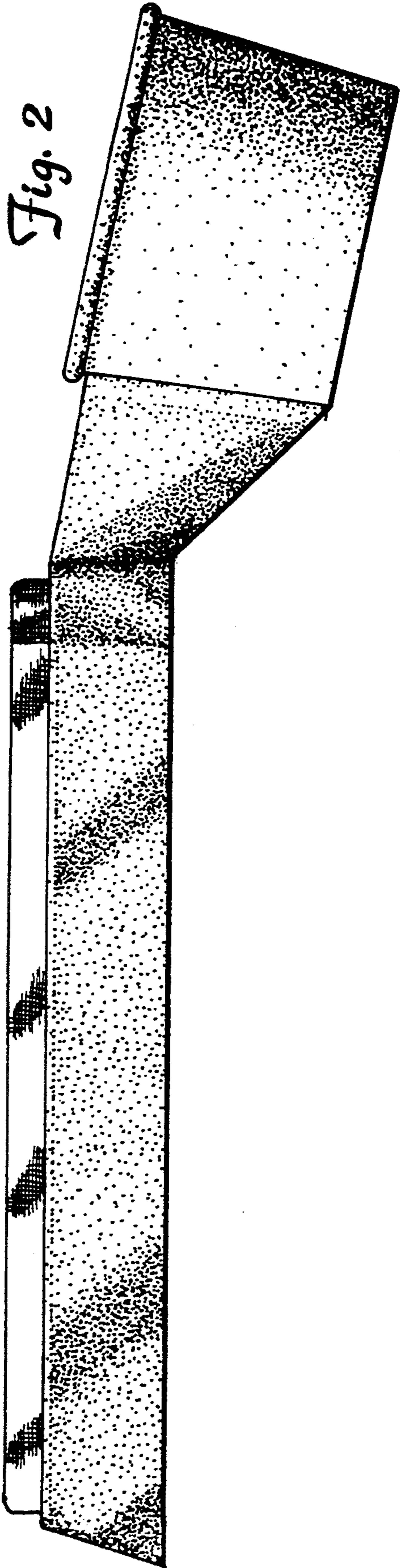


Fig. 1





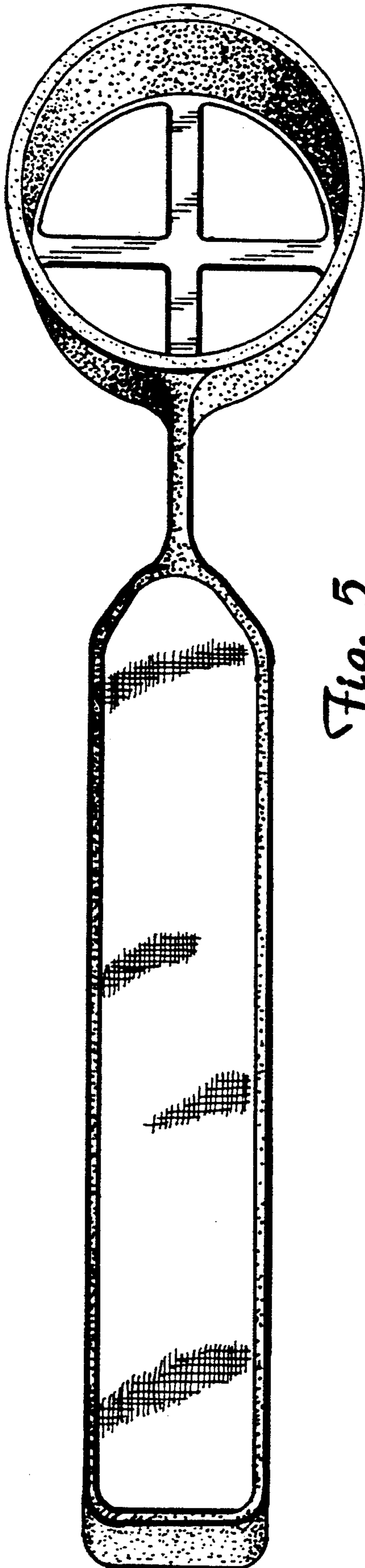


Fig. 5

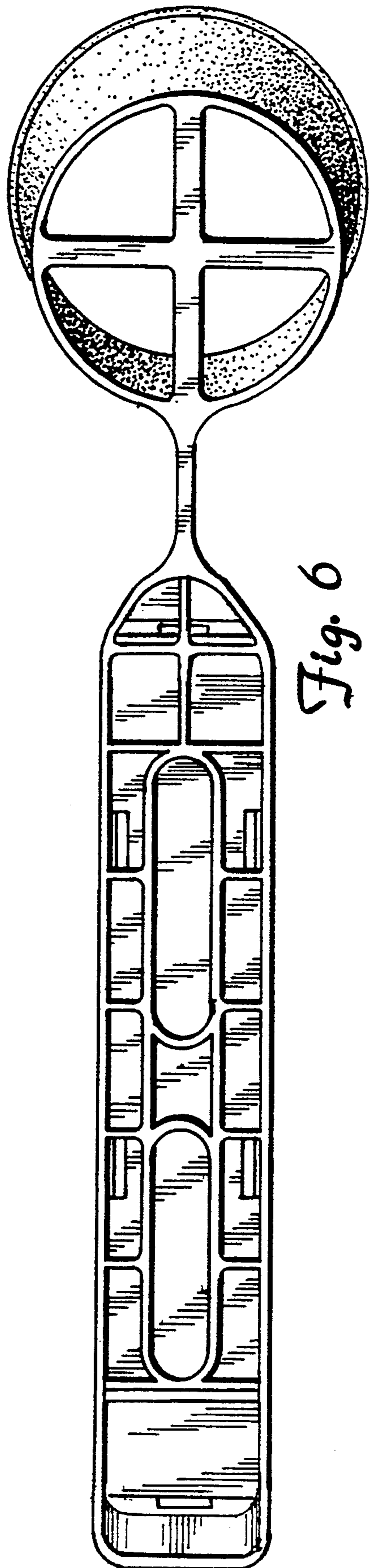
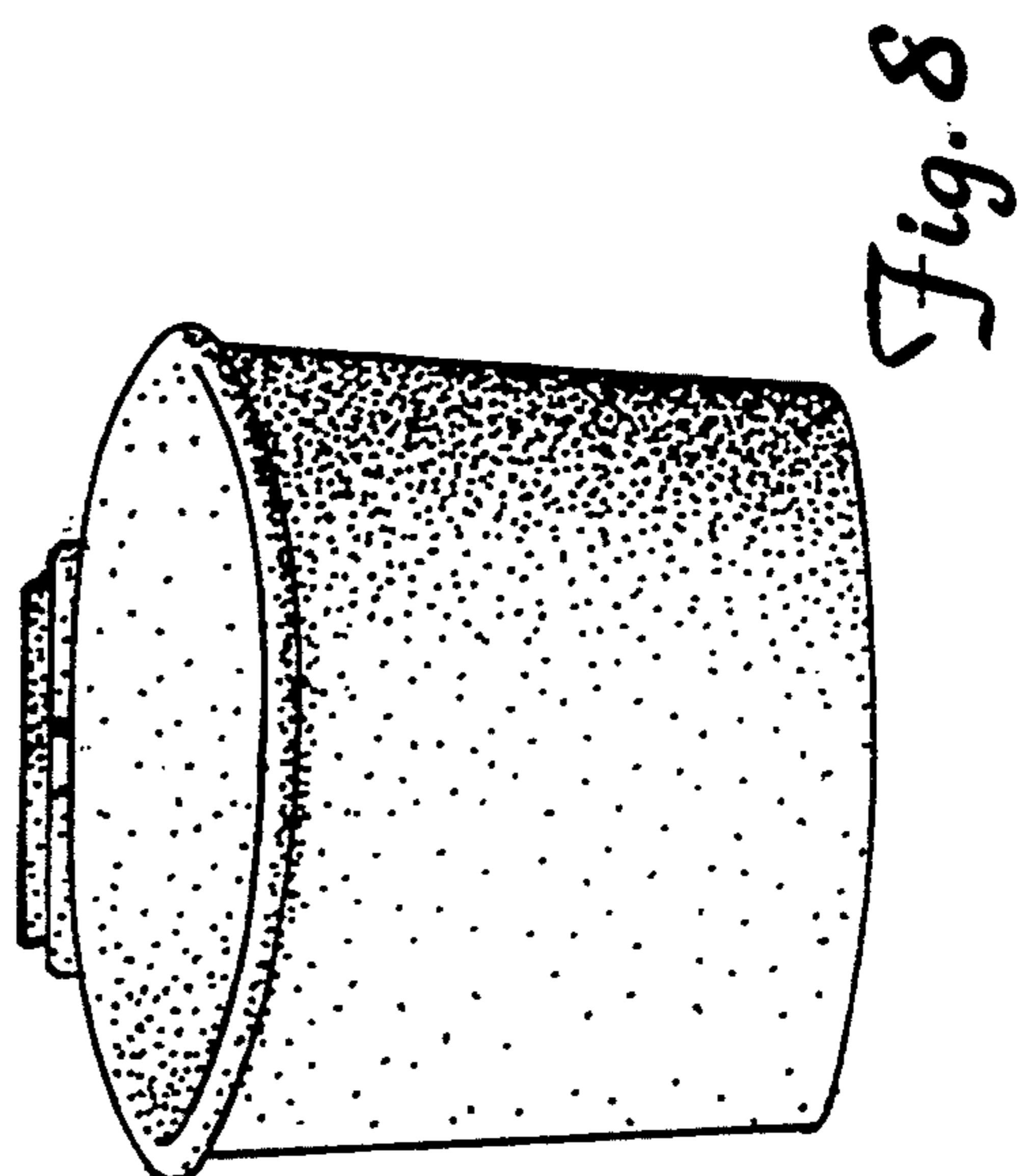
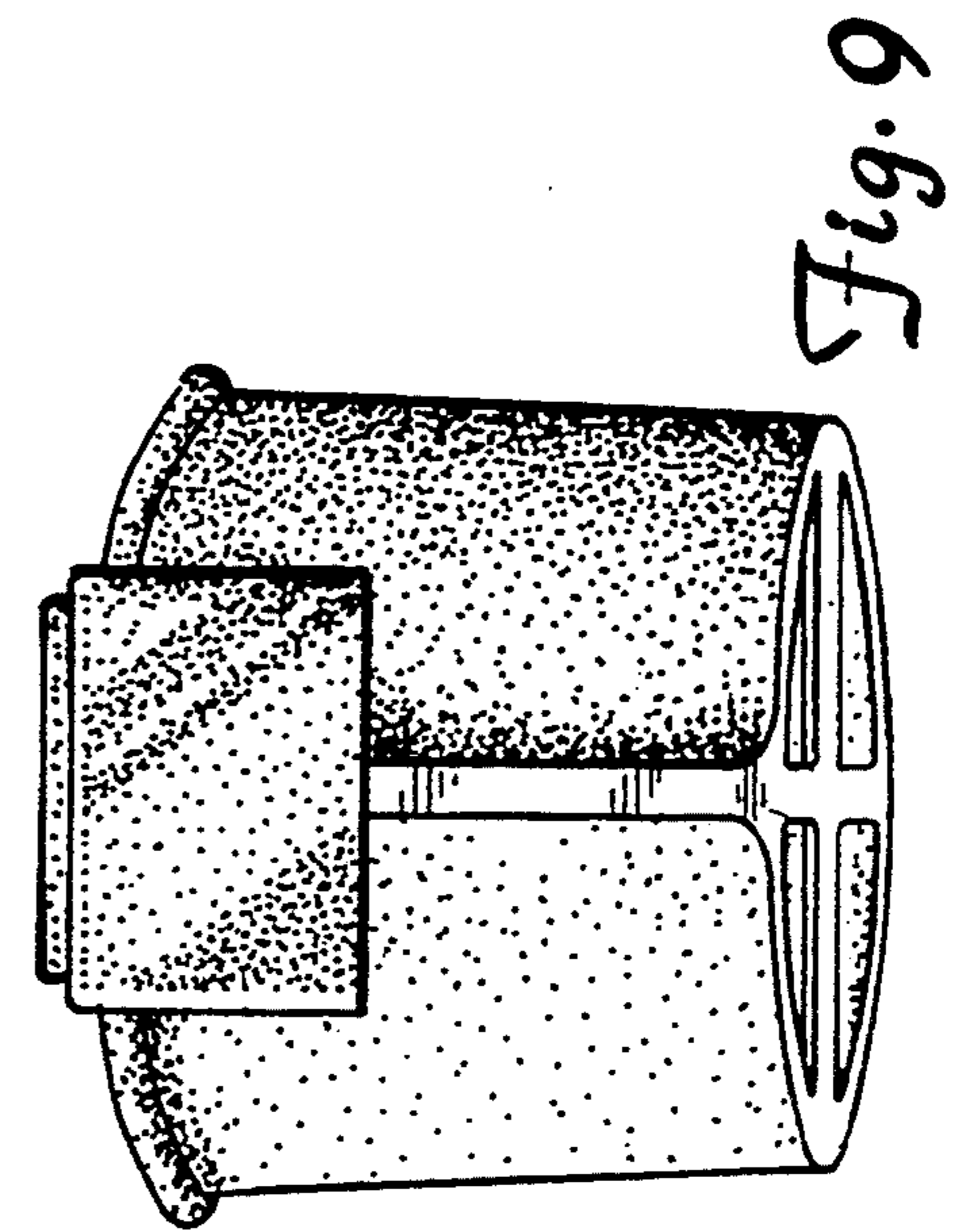
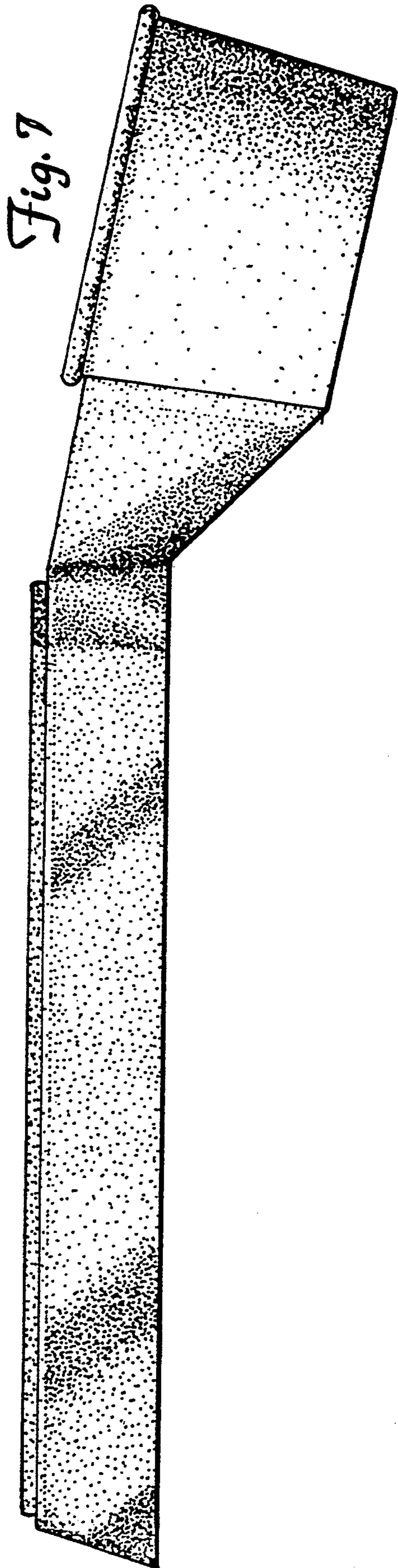


Fig. 6



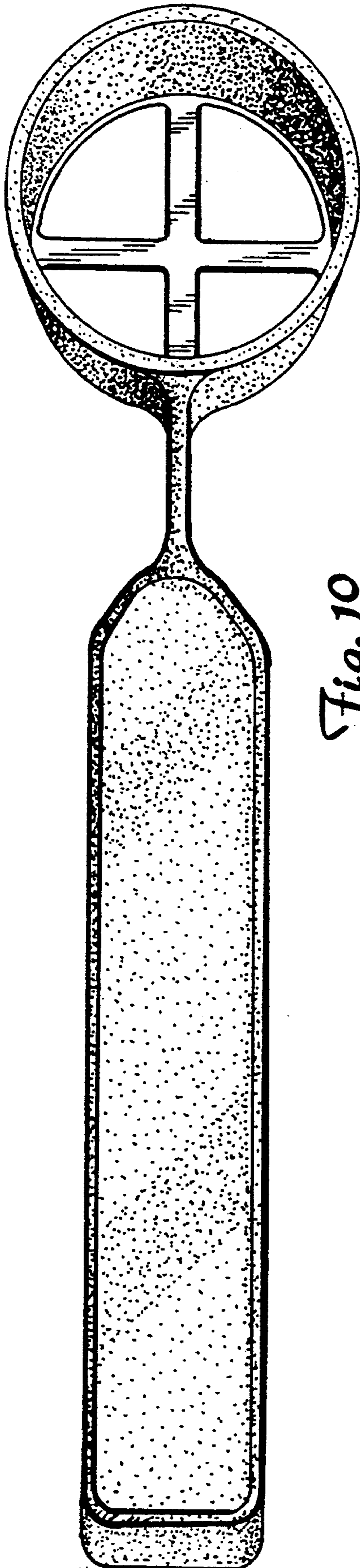


Fig. 10

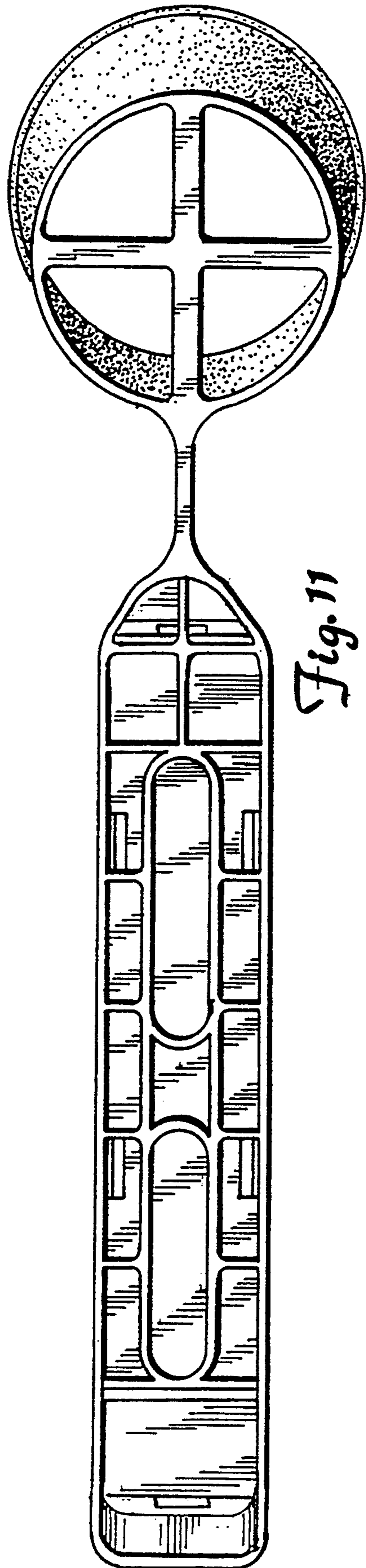


Fig. 11