



US00D350258S

United States Patent [19]
Straubinger

[11] **Patent Number: Des. 350,258**
[45] **Date of Patent: ** Sep. 6, 1994**

[54] **MOLD FOR A FROZEN FOOD CONFECTION**

[76] **Inventor: Paul Straubinger, 20-49 32nd St., Long Island City, N.Y. 11105**

[**] **Term: 14 Years**

[21] **Appl. No.: 914,097**

[22] **Filed: Jul. 6, 1992**

[52] **U.S. Cl. D7/601; D1/105**

[58] **Field of Search D7/601, 672; D1/101-105; 229/DIG. 7; 249/92, 94, 121; 426/132**

[56] **References Cited PUBLICATIONS**

Woodies Catalog, May 4, 1986, p. 11, Food Mold, center of page.

Primary Examiner—Terry A. Wallace
Attorney, Agent, or Firm—Kirschstein, Ottinger, Israel and Schiffmiller

[57] **CLAIM**

The ornamental design for a mold for a frozen food confection, as shown and described.

DESCRIPTION

FIG. 1 is a perspective view of a mold for a frozen food confection showing my new design; FIG. 2 is a front elevational view thereof, the opposite side view being a mirror image; FIG. 3 is a top plan view thereof; FIG. 4 is a right side elevational view thereof; FIG. 5 is a left side elevational view thereof; and, FIG. 6 is a bottom plan view thereof.

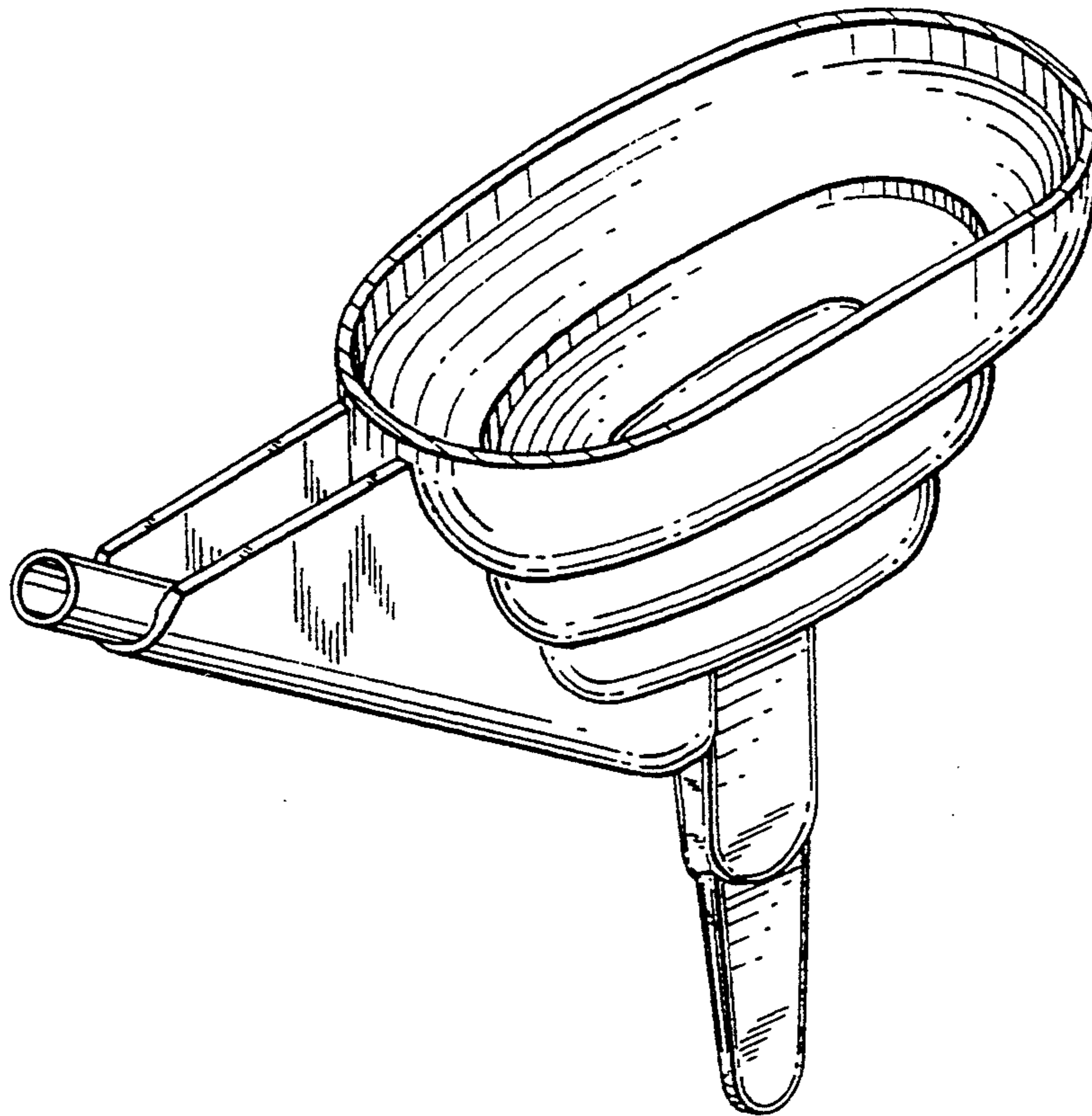


FIG. 1

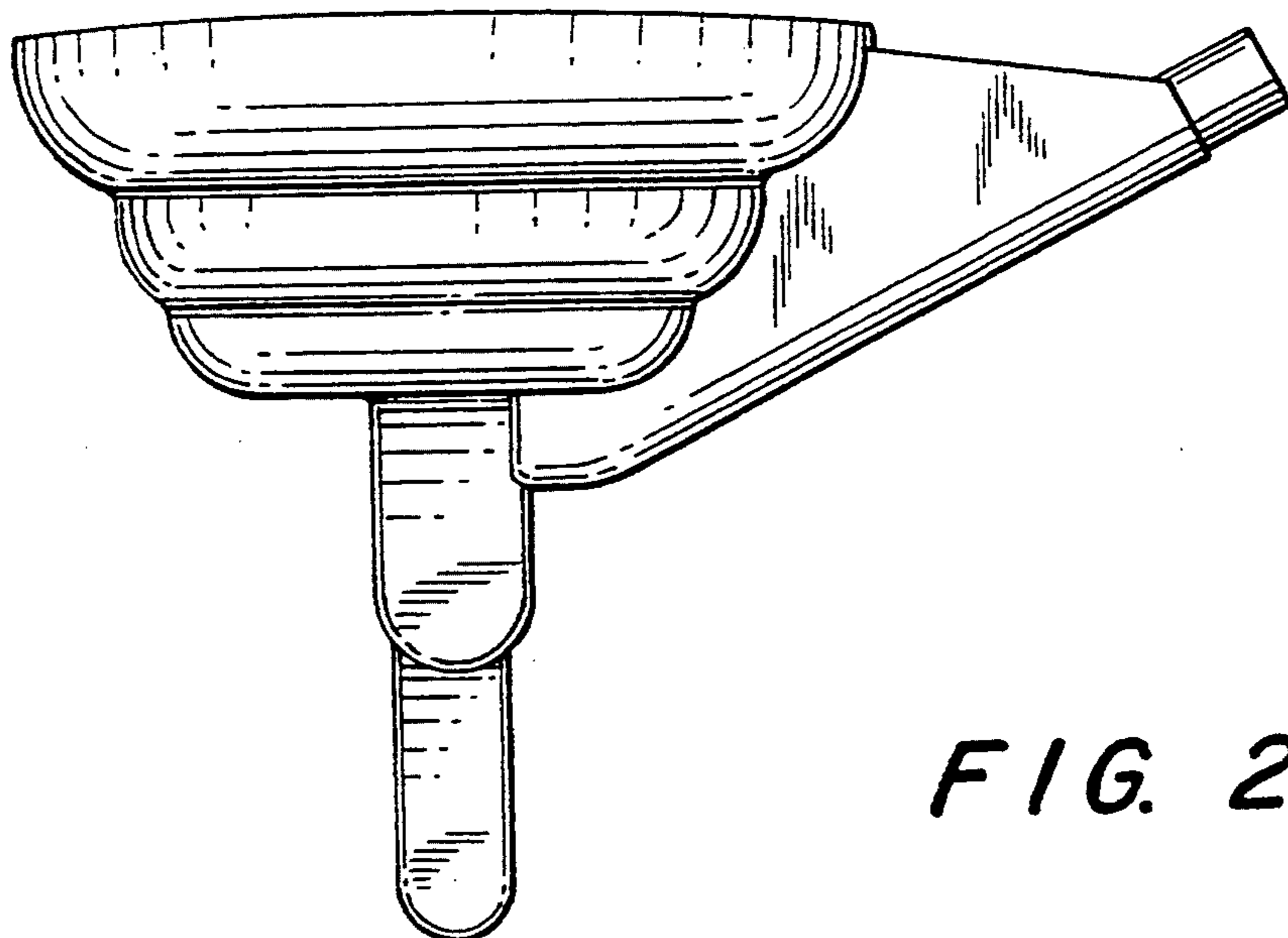
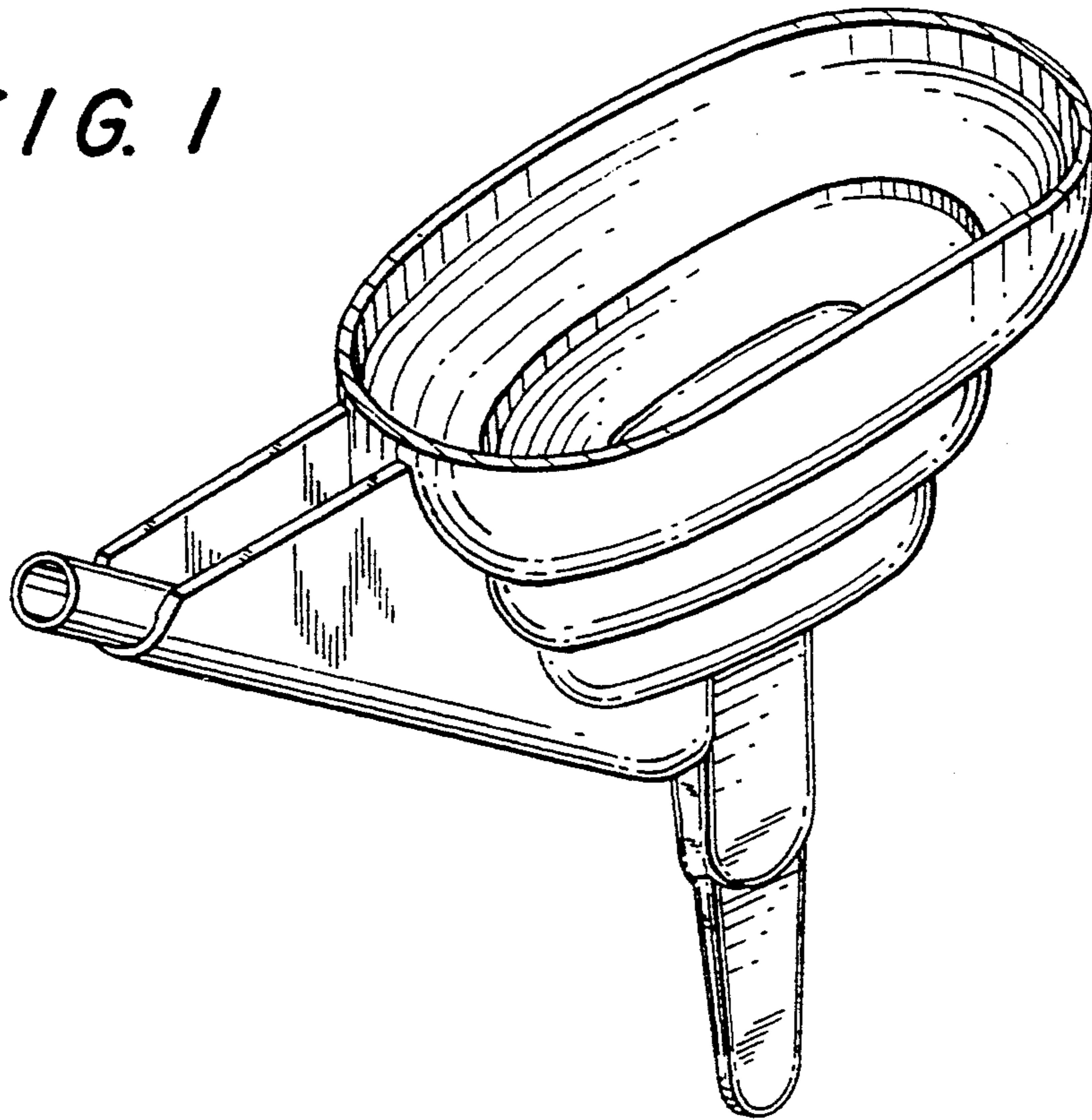


FIG. 2

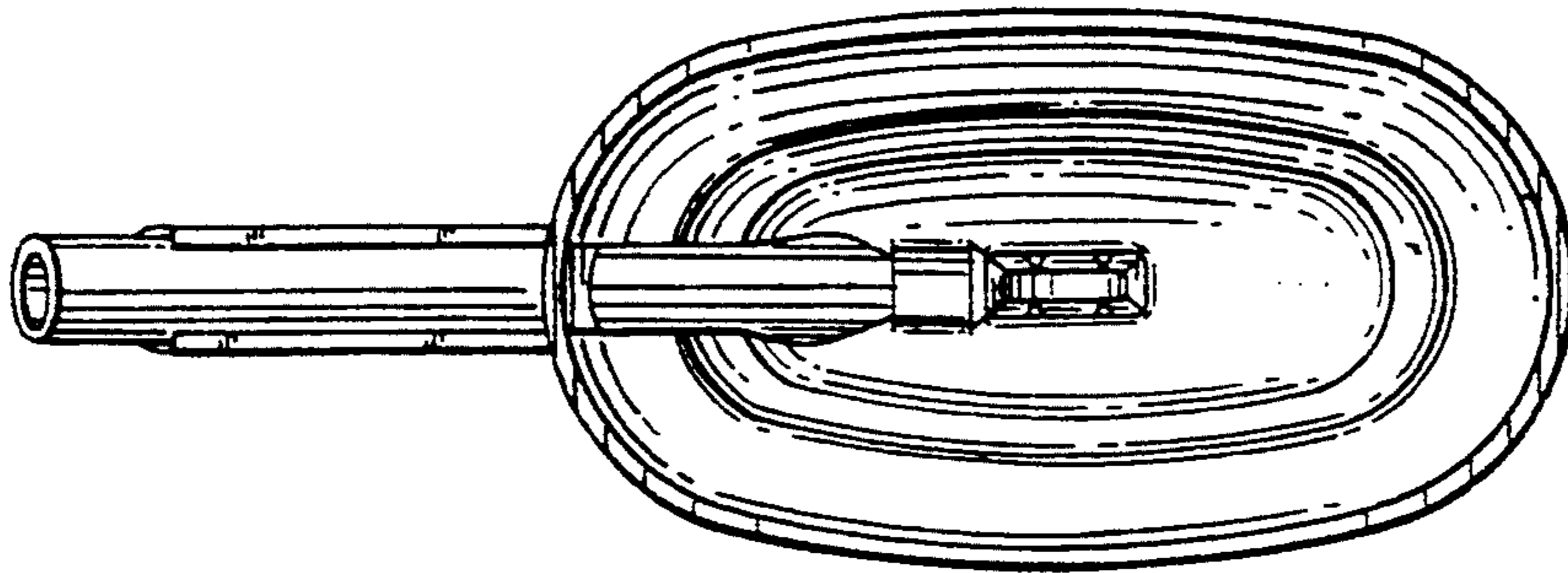


FIG. 3

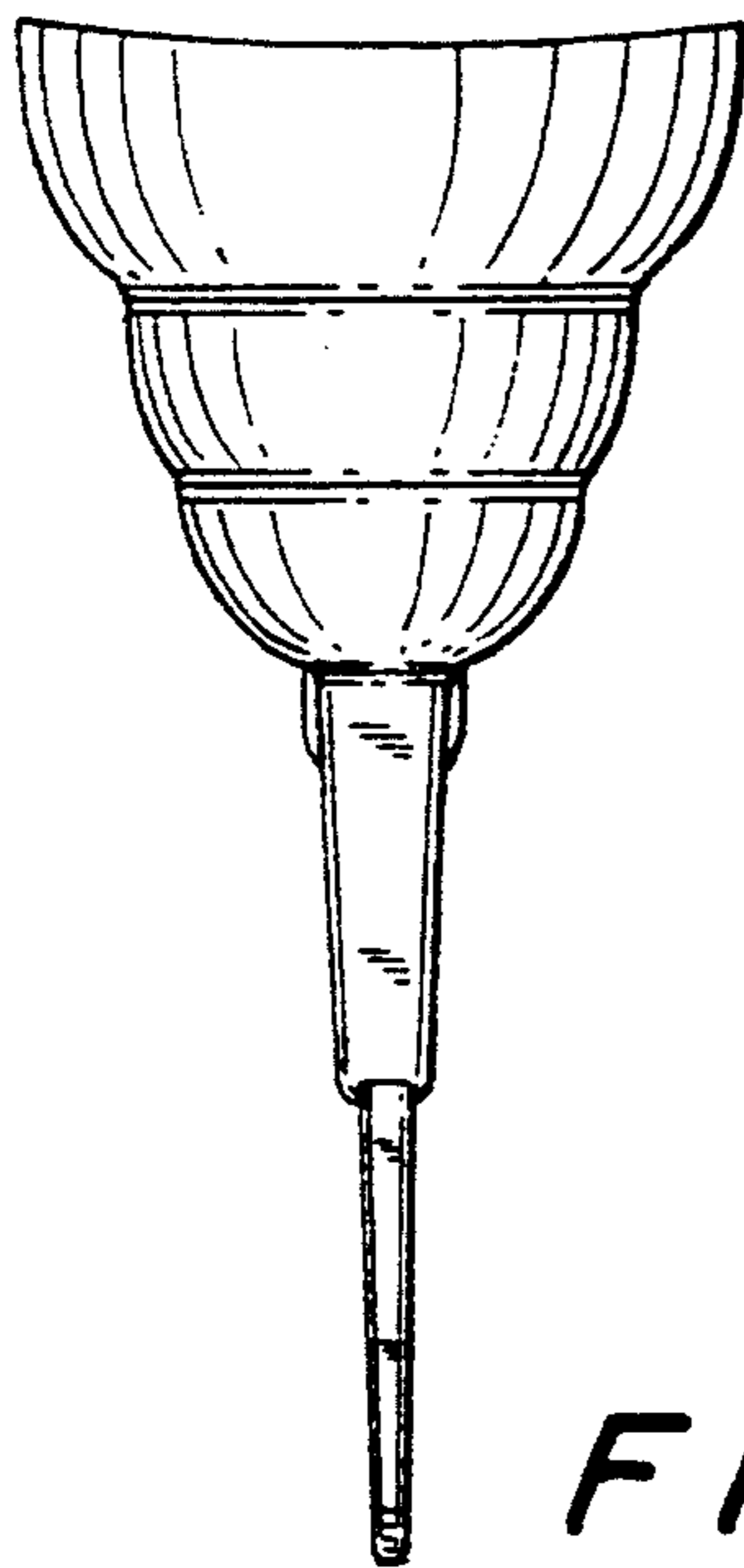


FIG. 4

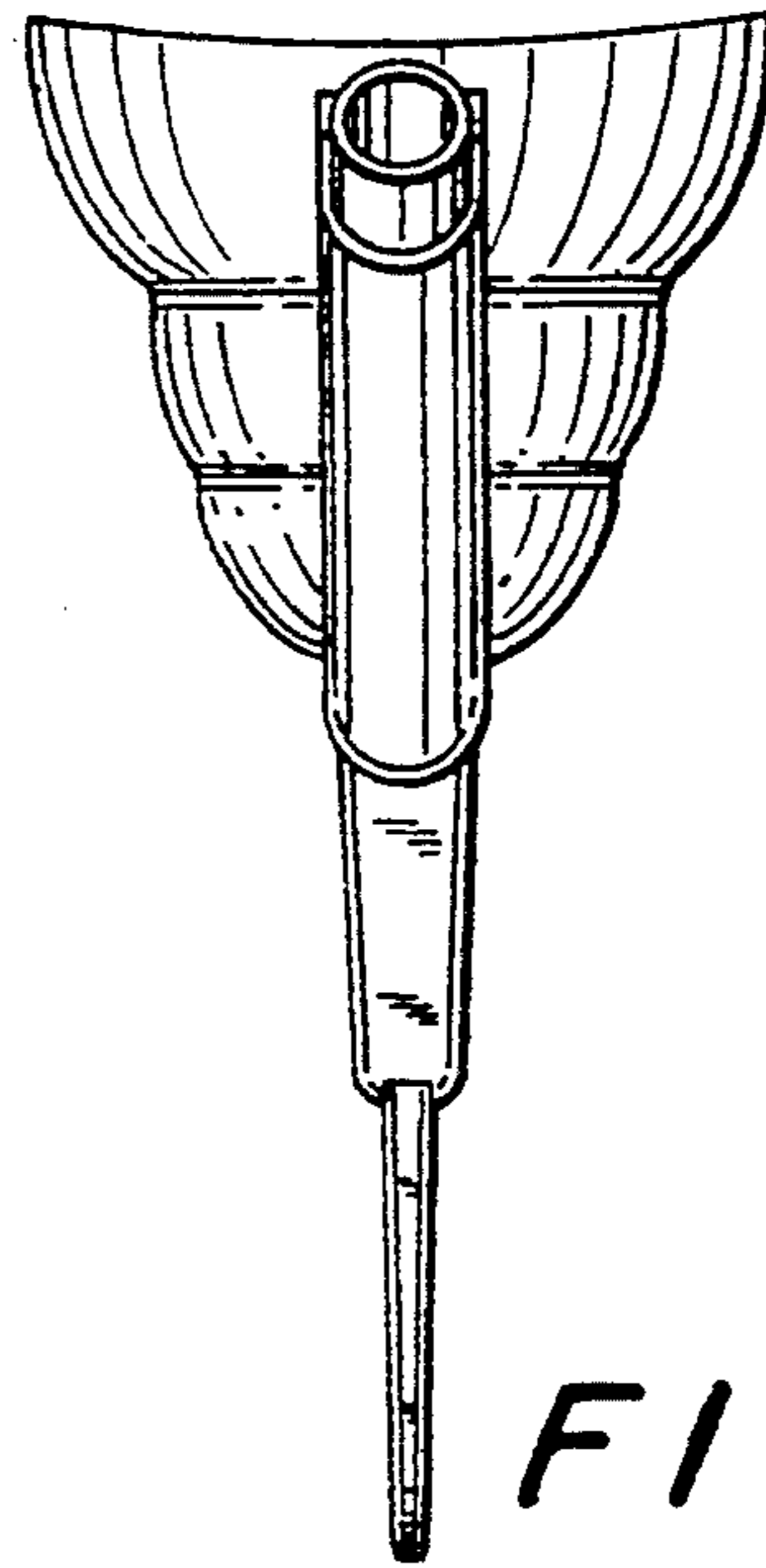


FIG. 5

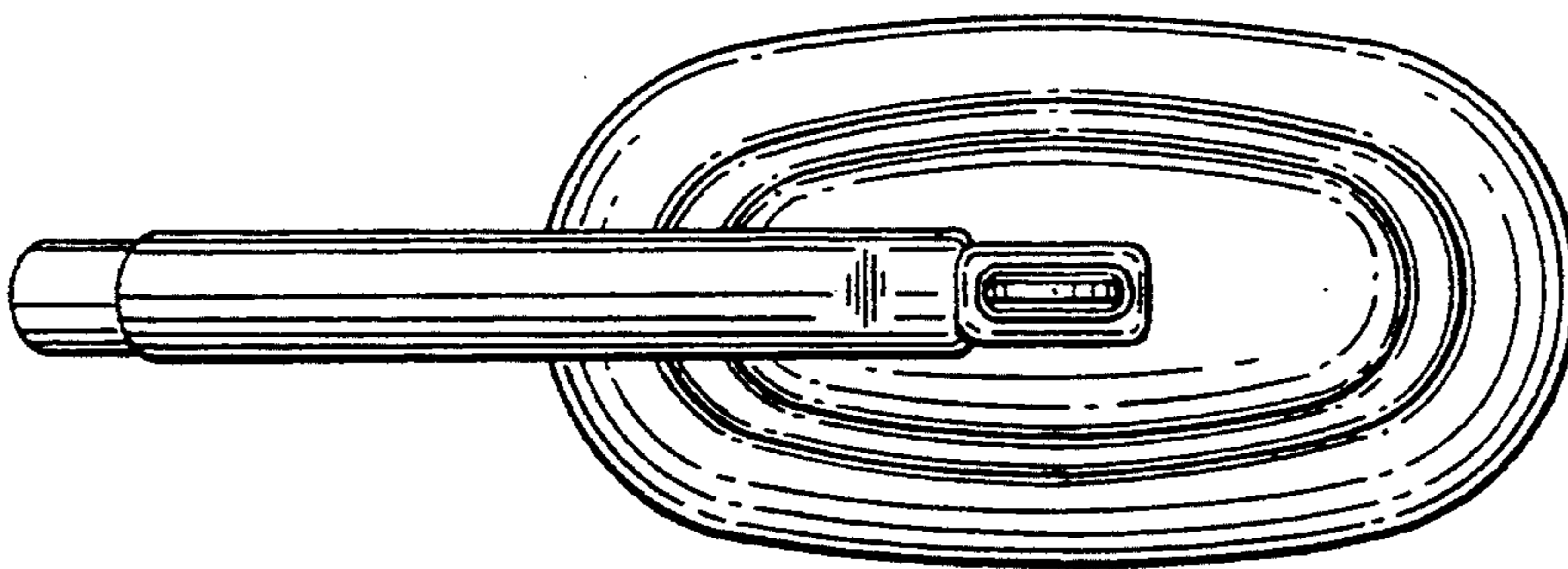


FIG. 6