



US00D350249S

United States Patent [19]

[11] Patent Number: **Des. 350,249**

Rhodenbaugh

[45] Date of Patent: **** Sep. 6, 1994**

[54] **DISPENSER**

Attorney, Agent, or Firm—Dinsmore & Shohl

[75] Inventor: **Joseph W. Rhodenbaugh**, Cincinnati, Ohio

[57] **CLAIM**

The ornamental design for a dispenser, as shown and described.

[73] Assignee: **Kutol Products Company**, Madeira, Ohio

DESCRIPTION

[**] Term: **14 Years**

FIG. 1 is a perspective view of a dispenser embodying my new design;

[21] Appl. No.: **14,866**

FIG. 2 is a front elevational view thereof;

[22] Filed: **Nov. 1, 1993**

FIG. 3 is a rear elevational view thereof;

[52] U.S. Cl. **D6/545**

FIG. 4 is a left side elevational view thereof, the broken-line showing of a portion of a wall to which the dispenser is mounted being for illustrative purposes only and forming no part of the claimed design;

[58] Field of Search **D6/542-545;**
222/94, 105, 129, 135, 136, 156, 173, 180-181,
185, 630-631; 221/282-286

FIG. 5 is a top plan view thereof;

[56] **References Cited**

U.S. PATENT DOCUMENTS

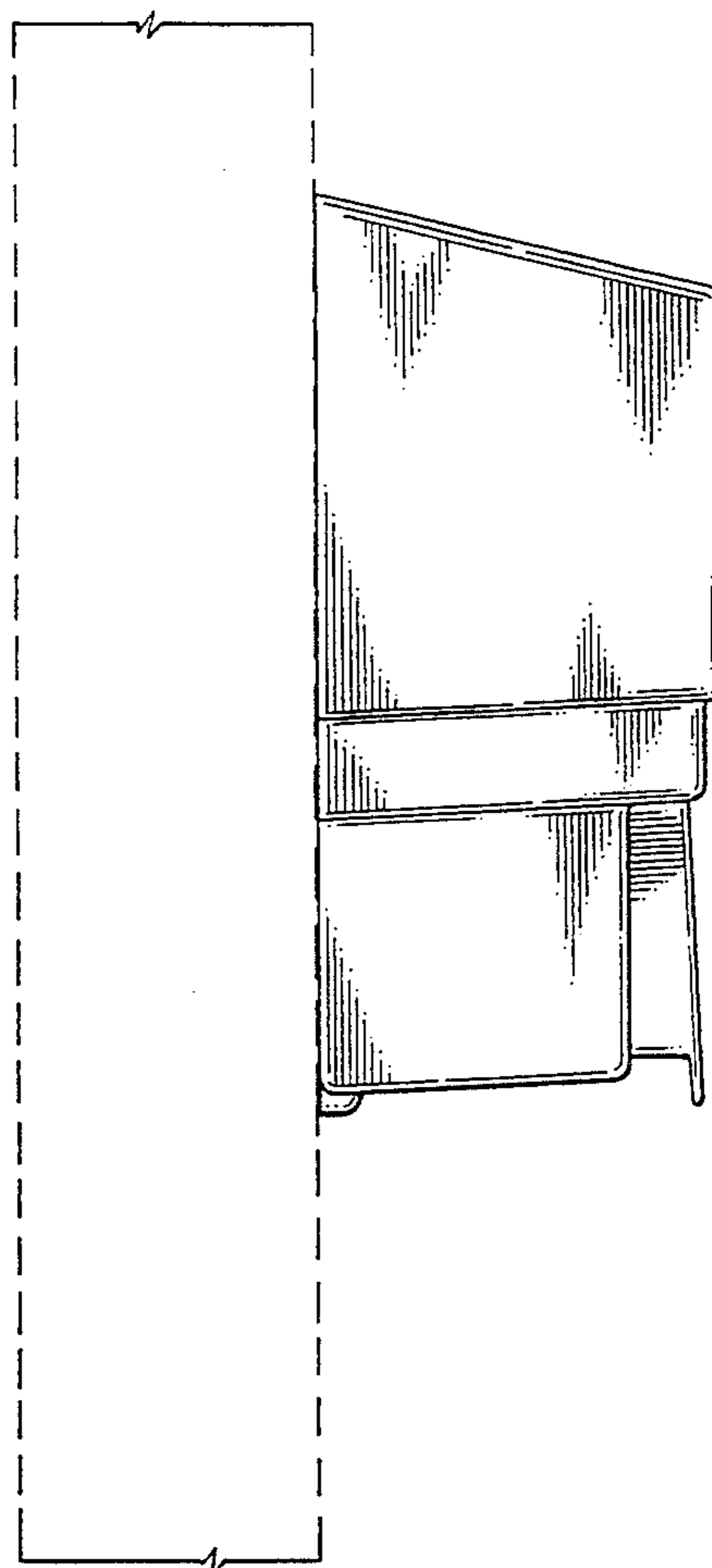
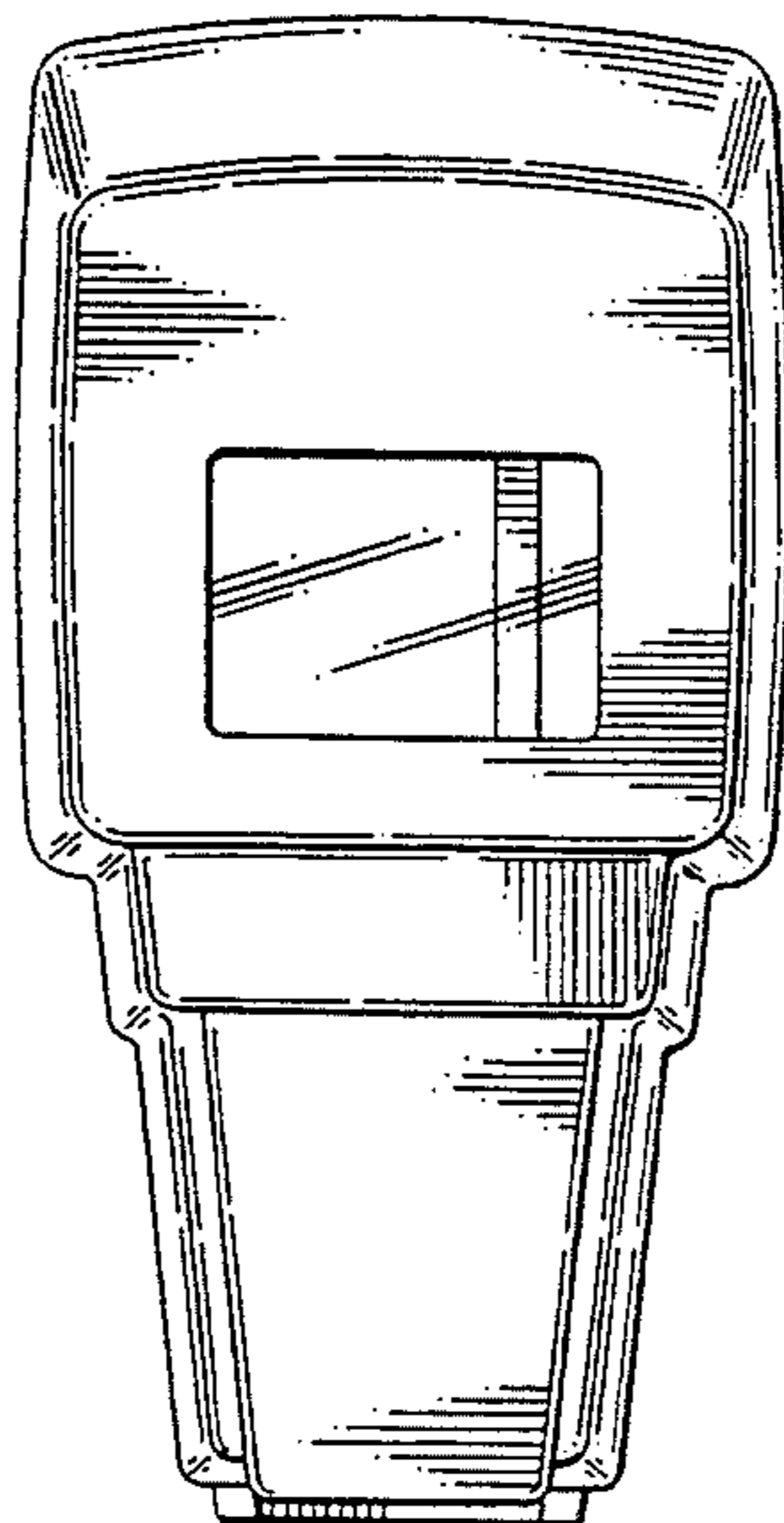
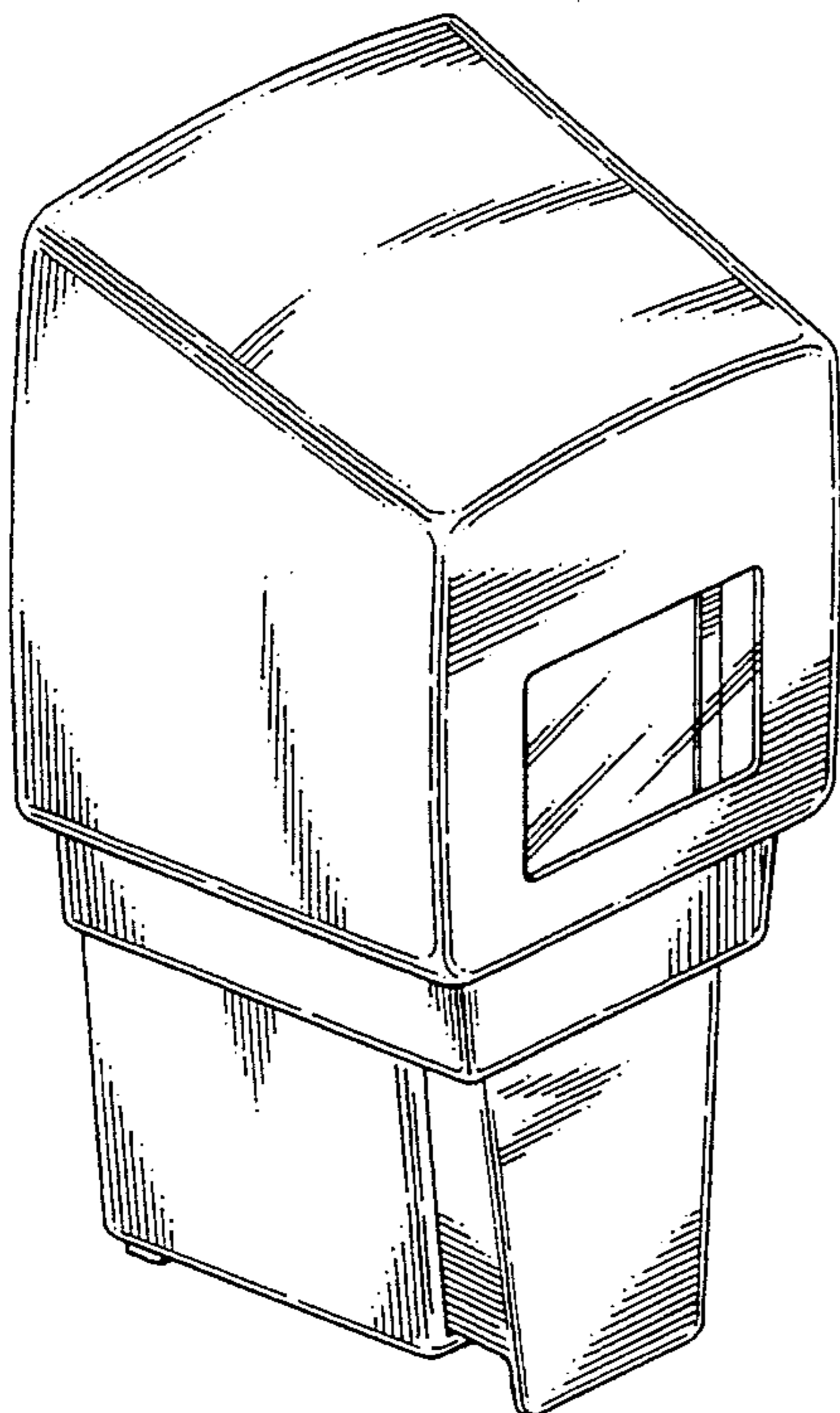
D. 300,193	3/1989	Vignot	D6/542
D. 310,924	10/1990	Breger	D6/542 X
D. 316,498	4/1991	Barry	D6/542
D. 338,585	8/1993	Bell et al.	D6/545
D. 343,751	2/1994	Bell et al.	D6/545
4,130,224	12/1978	Norman et al.	222/185
4,164,306	8/1979	Perrin	222/181

FIG. 6 is a bottom plan view thereof showing the moveable lower lever partially retracted into the dispenser; FIG. 7 is a perspective view thereof, similar to FIG. 1, showing the moveable lower lever retracted into the dispenser; and,

FIG. 8 is a bottom plan view thereof, similar to FIG. 6, showing a dispensing nozzle (which is part of an insert carried at least partially inside of the dispenser) is visible.

The side of the dispenser not shown is a mirror image of the side shown.

Primary Examiner—Brian N. Vinson



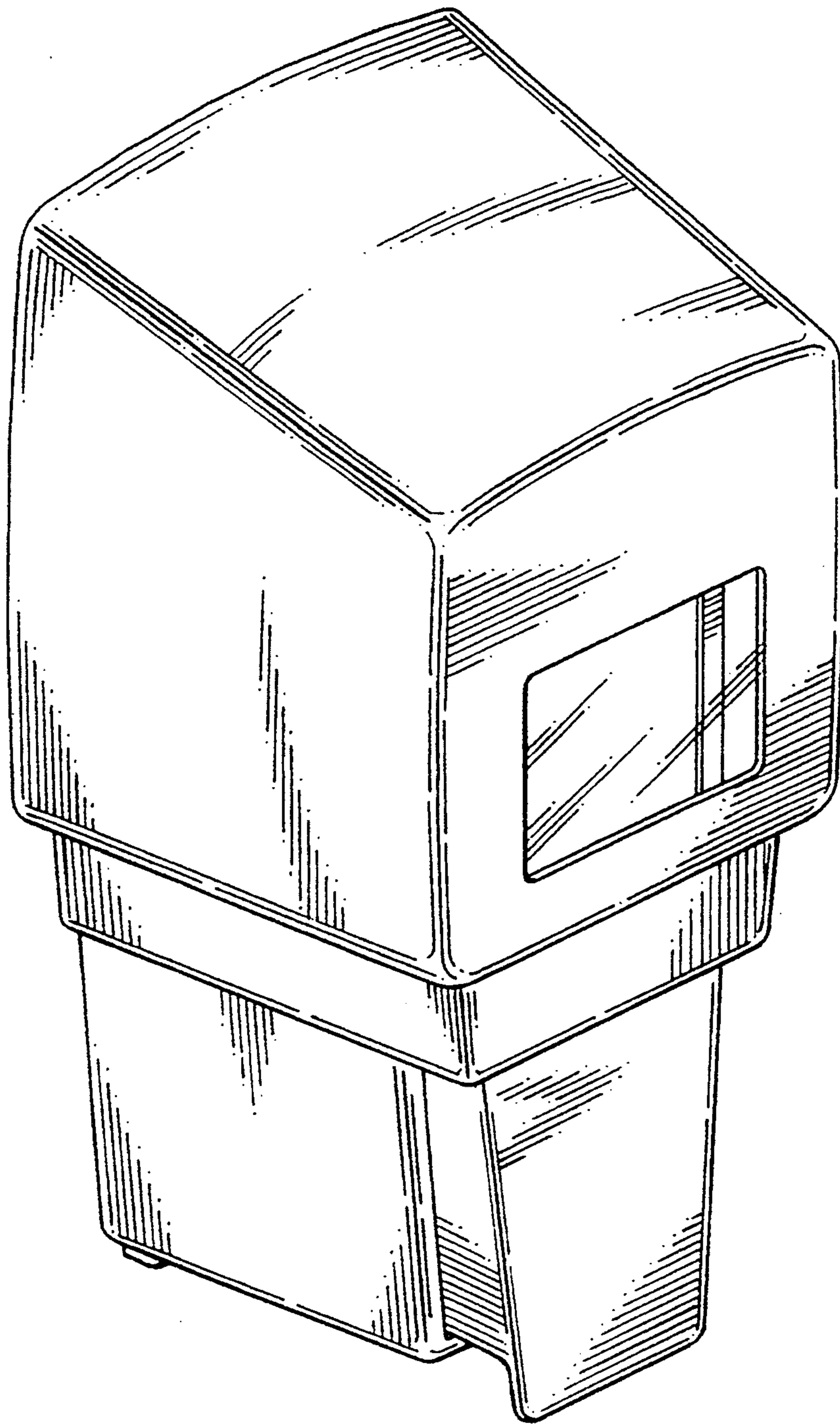


FIG. 1

FIG. 2

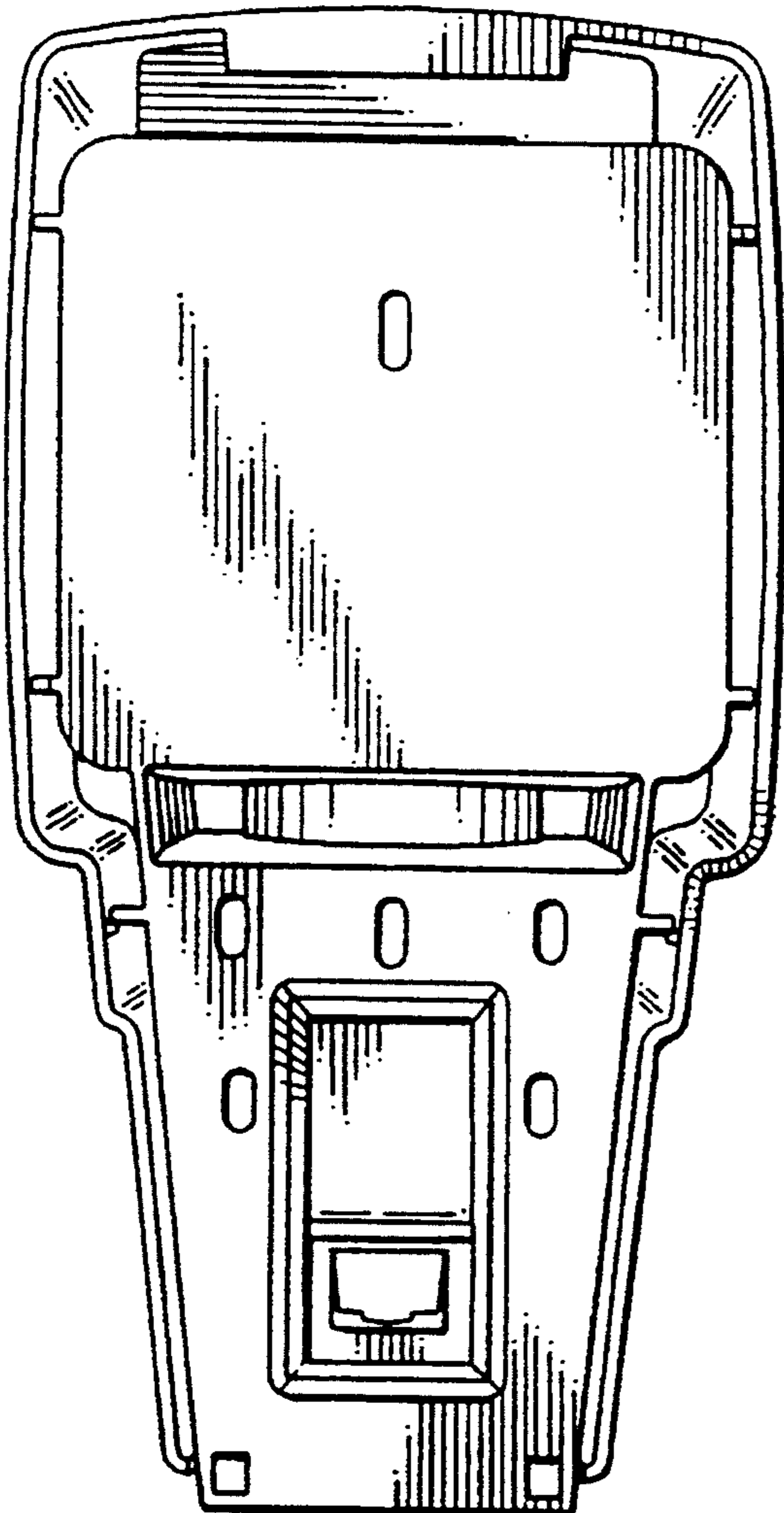
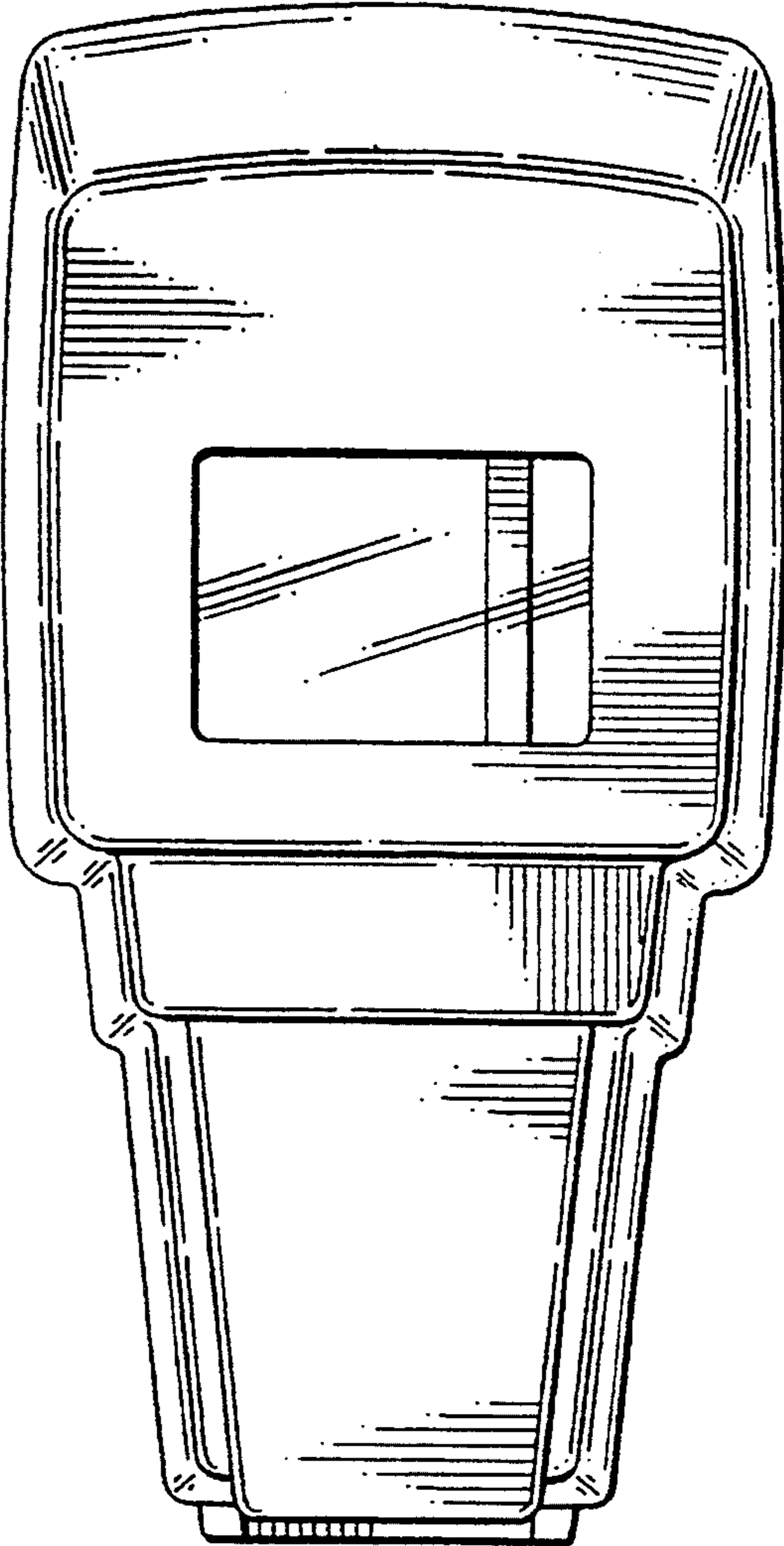


FIG. 3

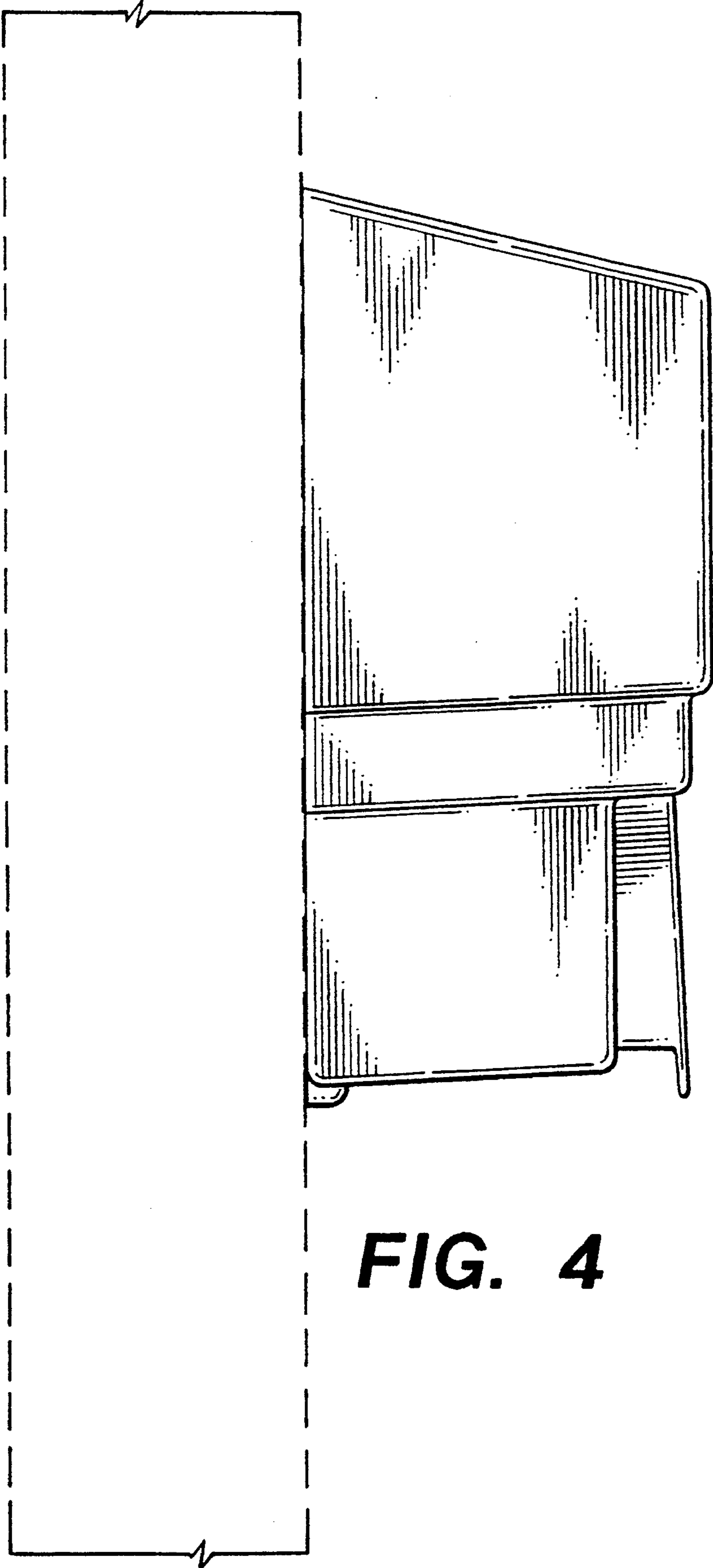


FIG. 4

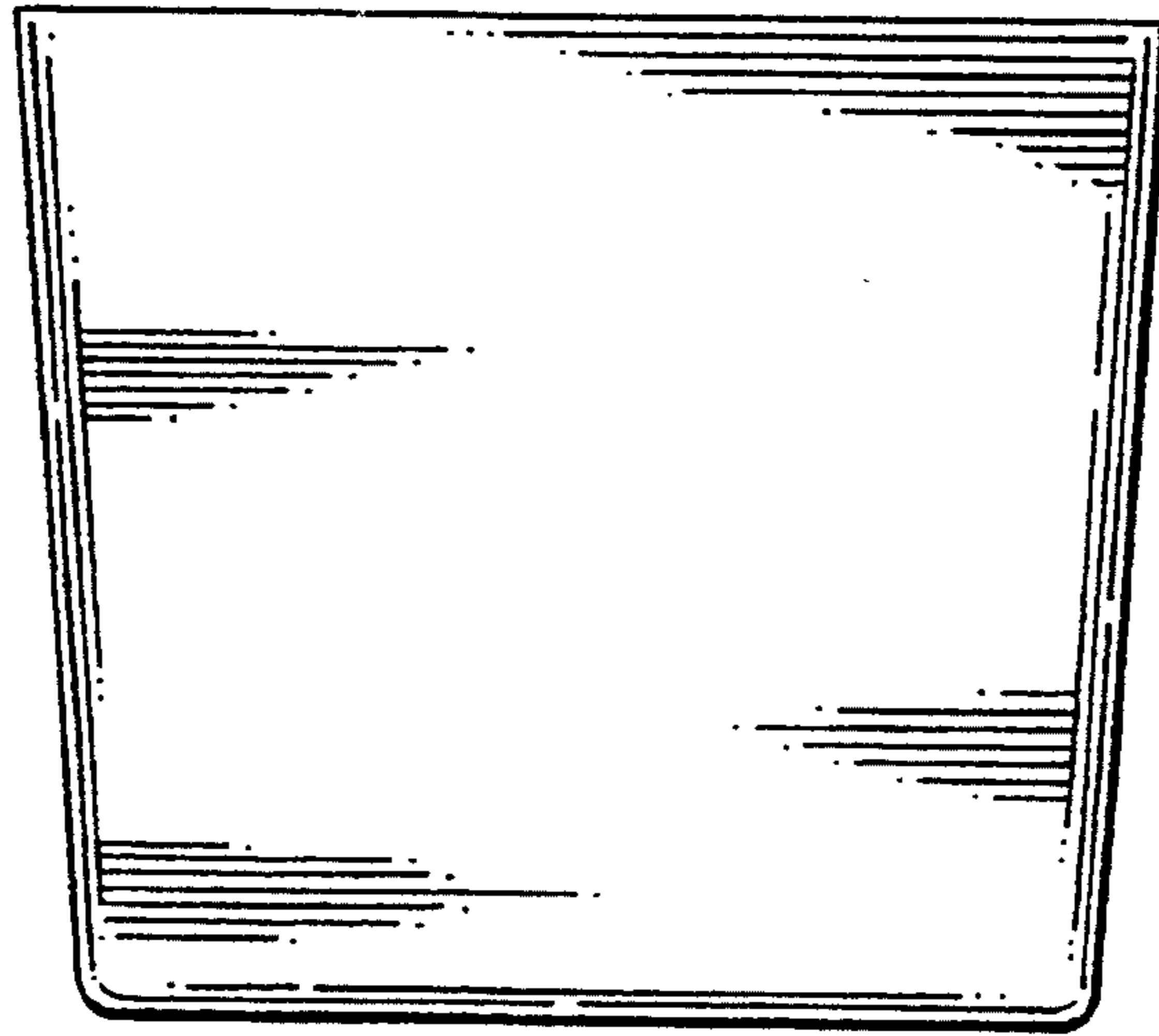


FIG. 5

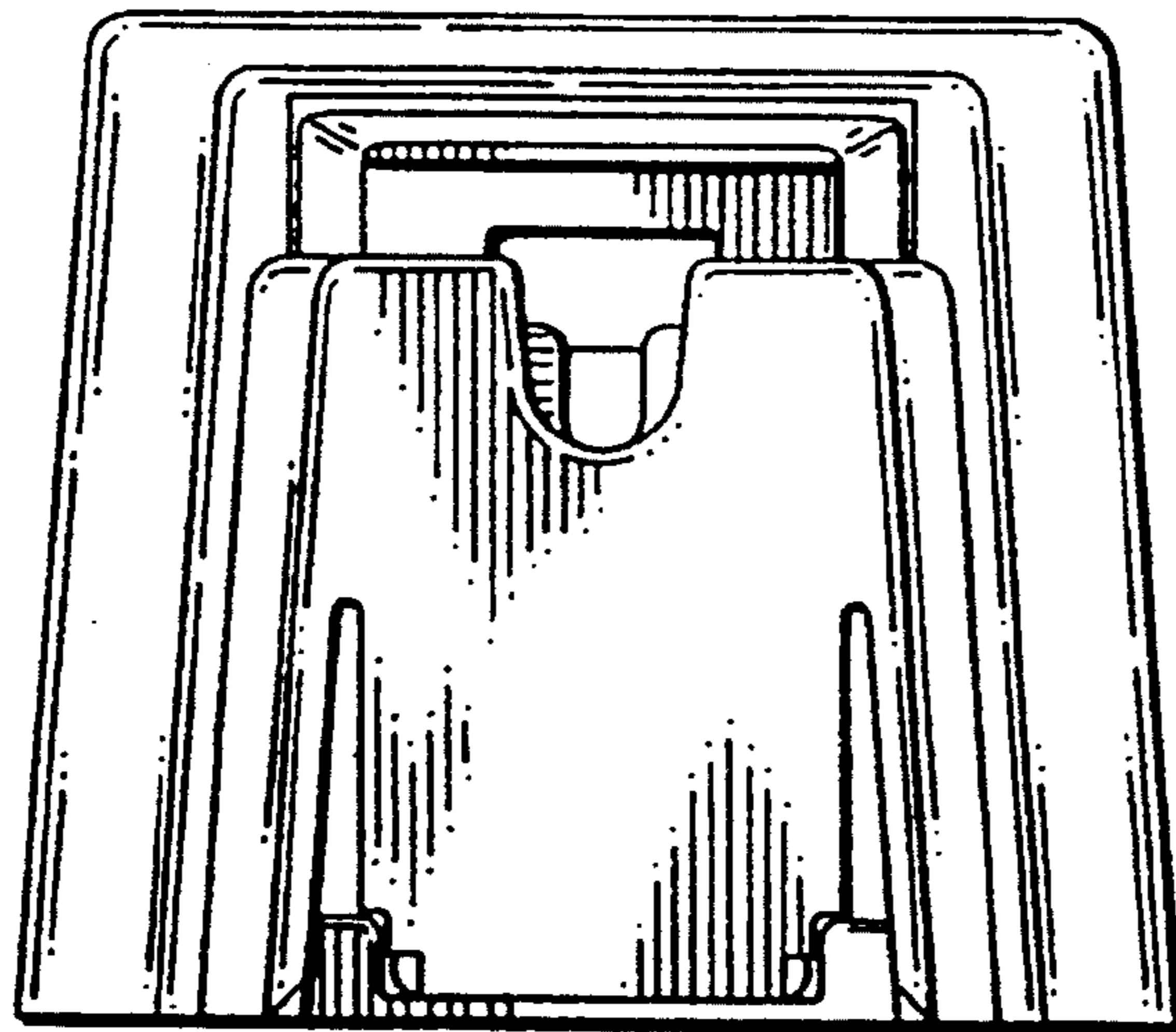


FIG. 6

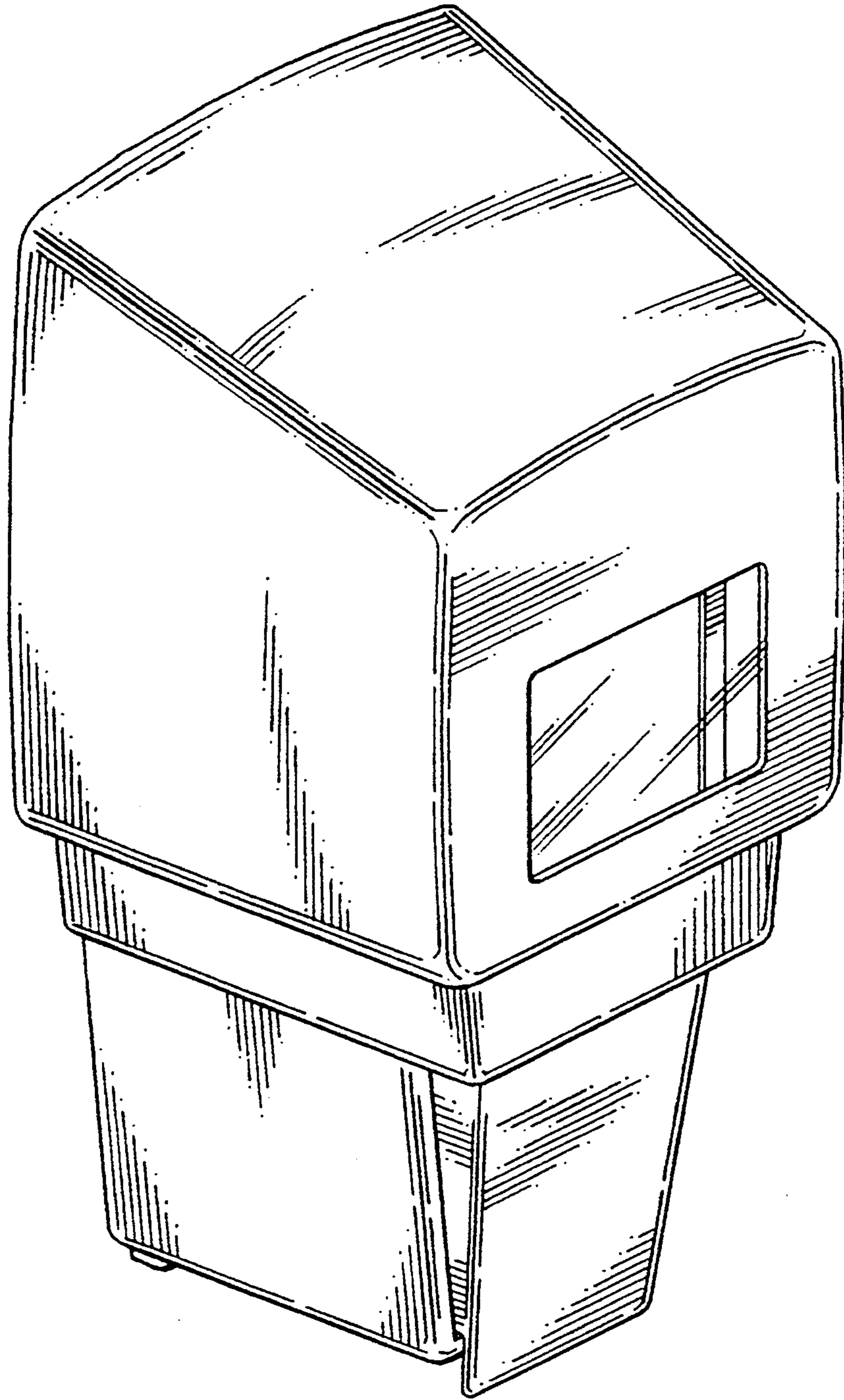


FIG. 7

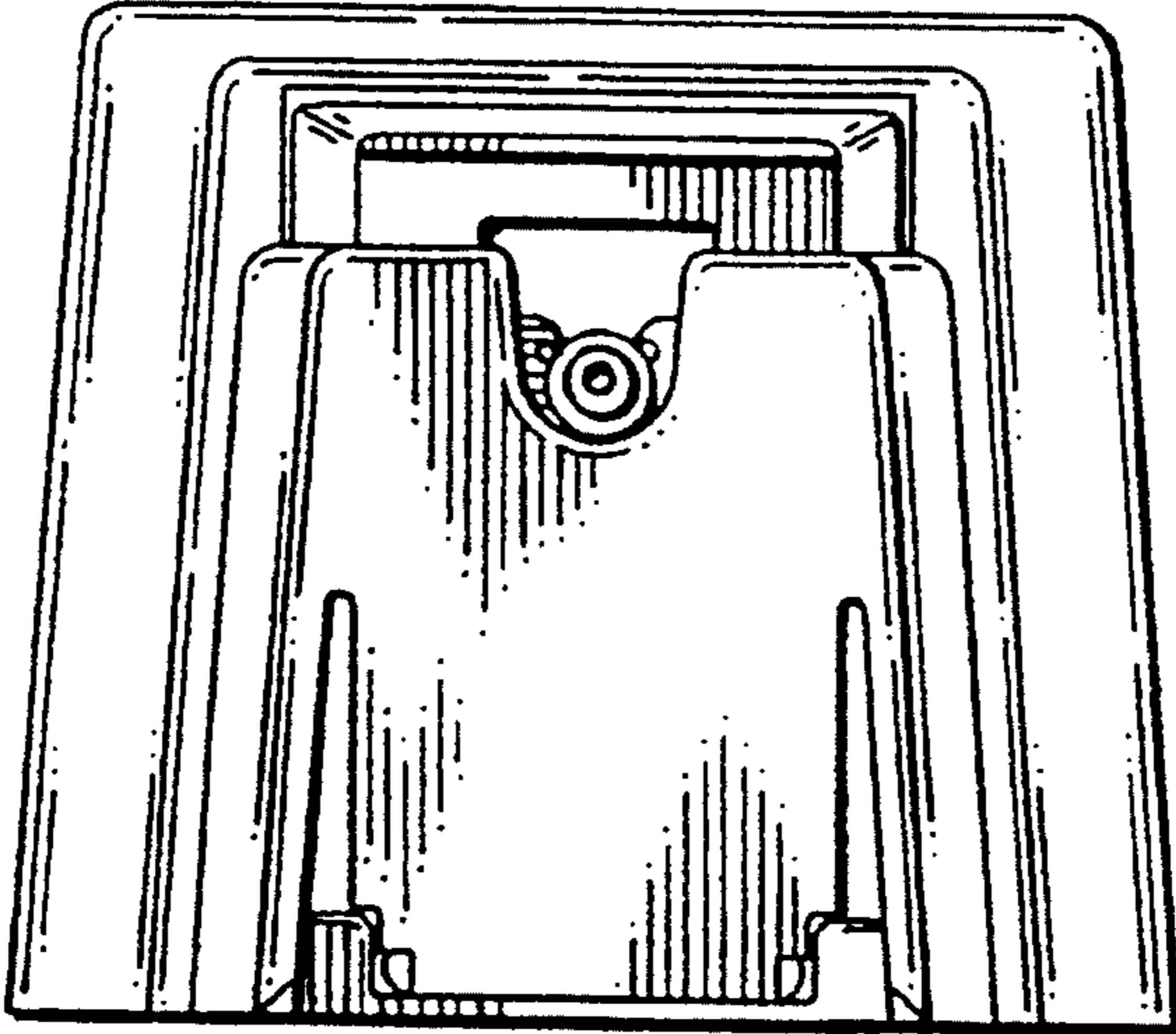


FIG. 8