



US00D350247S

United States Patent [19]

[11] Patent Number: **Des. 350,247**

Buske

[45] Date of Patent: **** Sep. 6, 1994**

[54] **COMBINATION STORAGE CONTAINER AND PLAY TABLE FOR INTERLOCKING BUILDING BLOCKS**

5,218,912 6/1993 Buske 108/26

[76] Inventor: **Brian S. Buske**, 2500 Central Pkwy., Ste. P., Houston, Tex. 77092

[**] Term: **14 Years**

[21] Appl. No.: **831,398**

[22] Filed: **Feb. 7, 1992**

[52] U.S. Cl. **D6/484; D6/349; D6/397**

[58] Field of Search **D6/480, 482-489, D6/495, 497-499, 406, 349; 108/43, 38, 39, 102, 26, 6; D21/54**

OTHER PUBLICATIONS

Shellcore Inc. (South Plainfield, N.J.) "Sit'N Build" (date unknown, but known to be prior art).

Primary Examiner—Nelson C. Holtje
Assistant Examiner—J. E. Seeger
Attorney, Agent, or Firm—Vade, Eickenroht, Thompson, Boulware & Feather

[57] CLAIM

The ornamental design for a combination storage container and play table for interlocking building blocks, as shown and described.

DESCRIPTION

FIG. 1 is a top plan view of a combination storage container and play table for interlocking building blocks showing my new design;
FIG. 2 is a front elevational view thereof, showing the legs of the table in an extended position, with the opposite side being a mirror image thereof;
FIG. 3 is the left side elevational view thereof;
FIG. 4 is the right side elevational view thereof;
FIG. 5 is a front elevational view thereof, showing the leg of the table in a collapsed position, with the opposite side being a mirror image thereof; and,
FIG. 6 is a perspective view showing the legs of the table in extended condition.

[56] References Cited

U.S. PATENT DOCUMENTS

D. 265,026	6/1982	Macho et al.	D6/429 X
D. 267,214	12/1982	Orenstein	D6/452 X
D. 273,252	4/1984	Markson	D6/429
D. 310,695	9/1990	Kushner et al.	D21/140
D. 318,960	8/1991	Lilly et al. .	
D. 327,185	6/1992	Ryaa	D6/434 X
3,271,075	9/1966	Good .	
3,760,744	9/1973	Cruckshank	108/102 X
3,859,930	1/1975	Shervin	108/6
4,095,533	6/1978	Leveille .	
4,872,410	10/1989	Lilly .	
4,926,758	5/1990	Lilly et al. .	

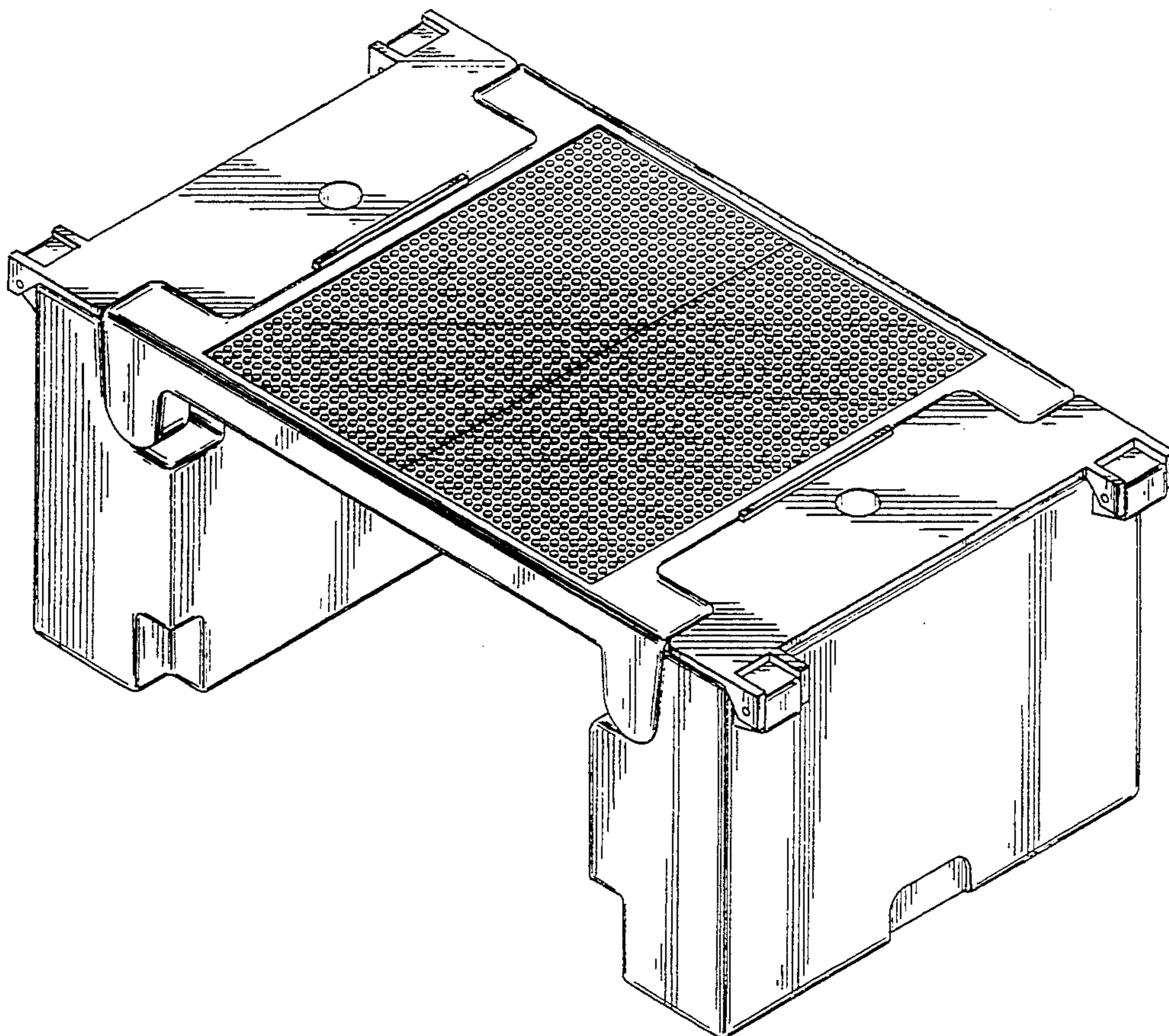
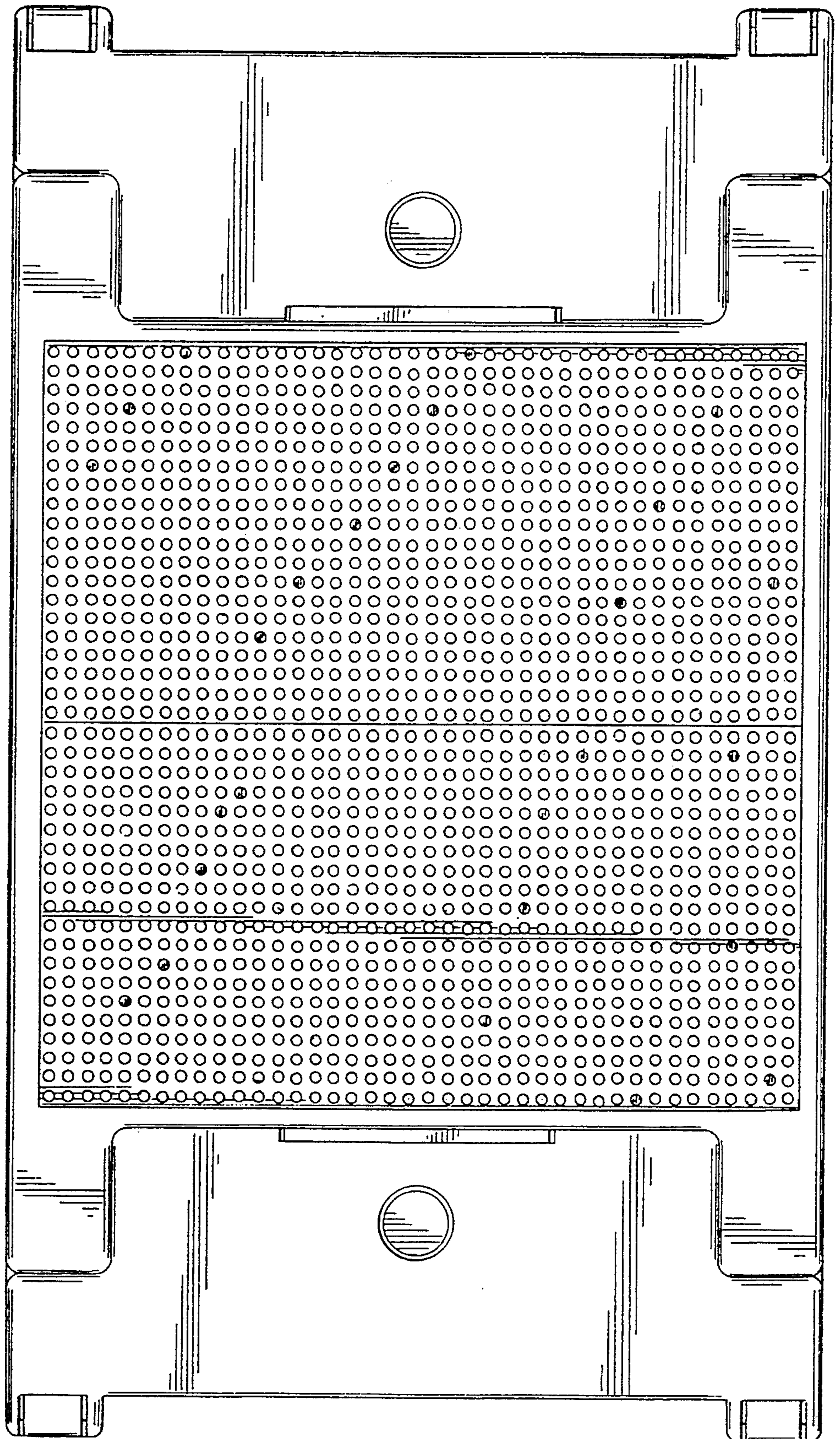


FIG. 1



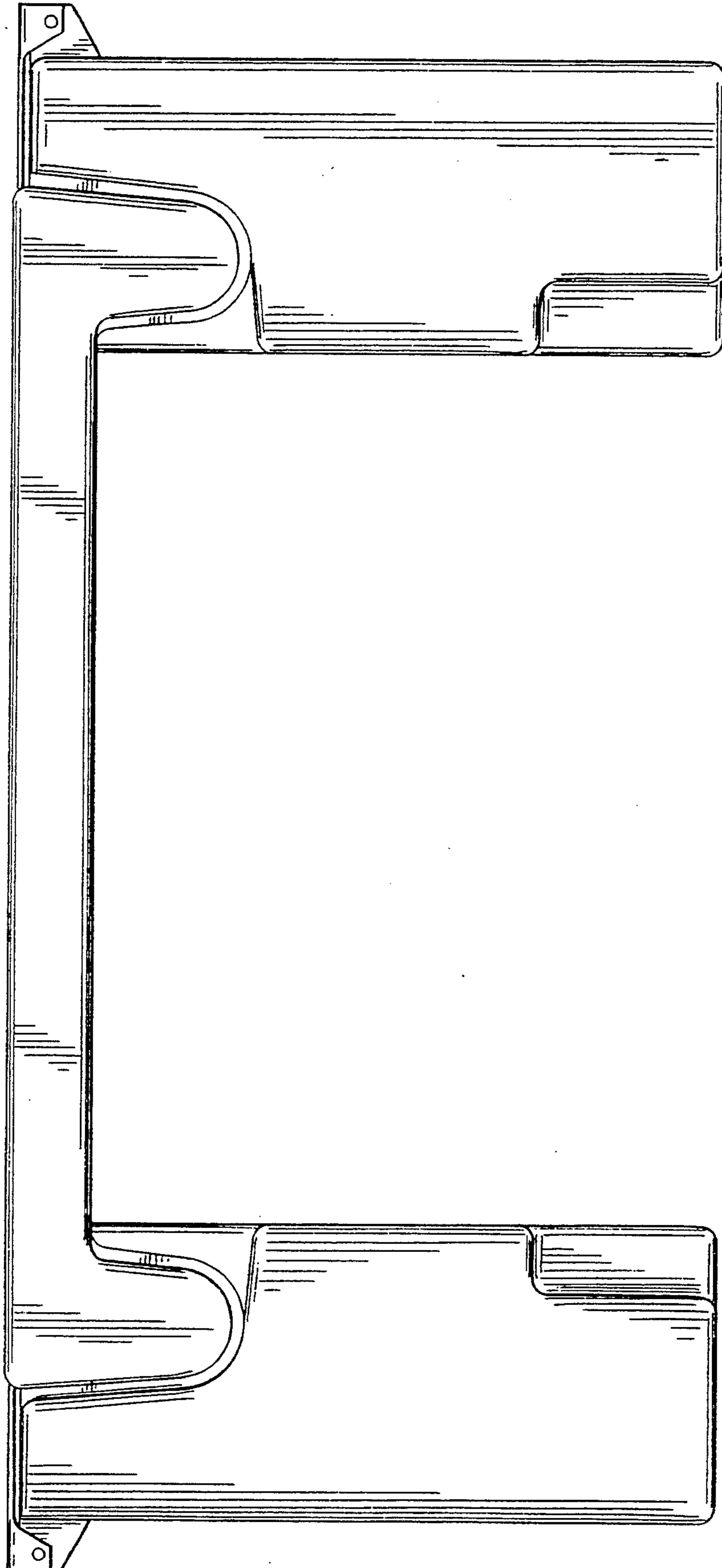


FIG. 2

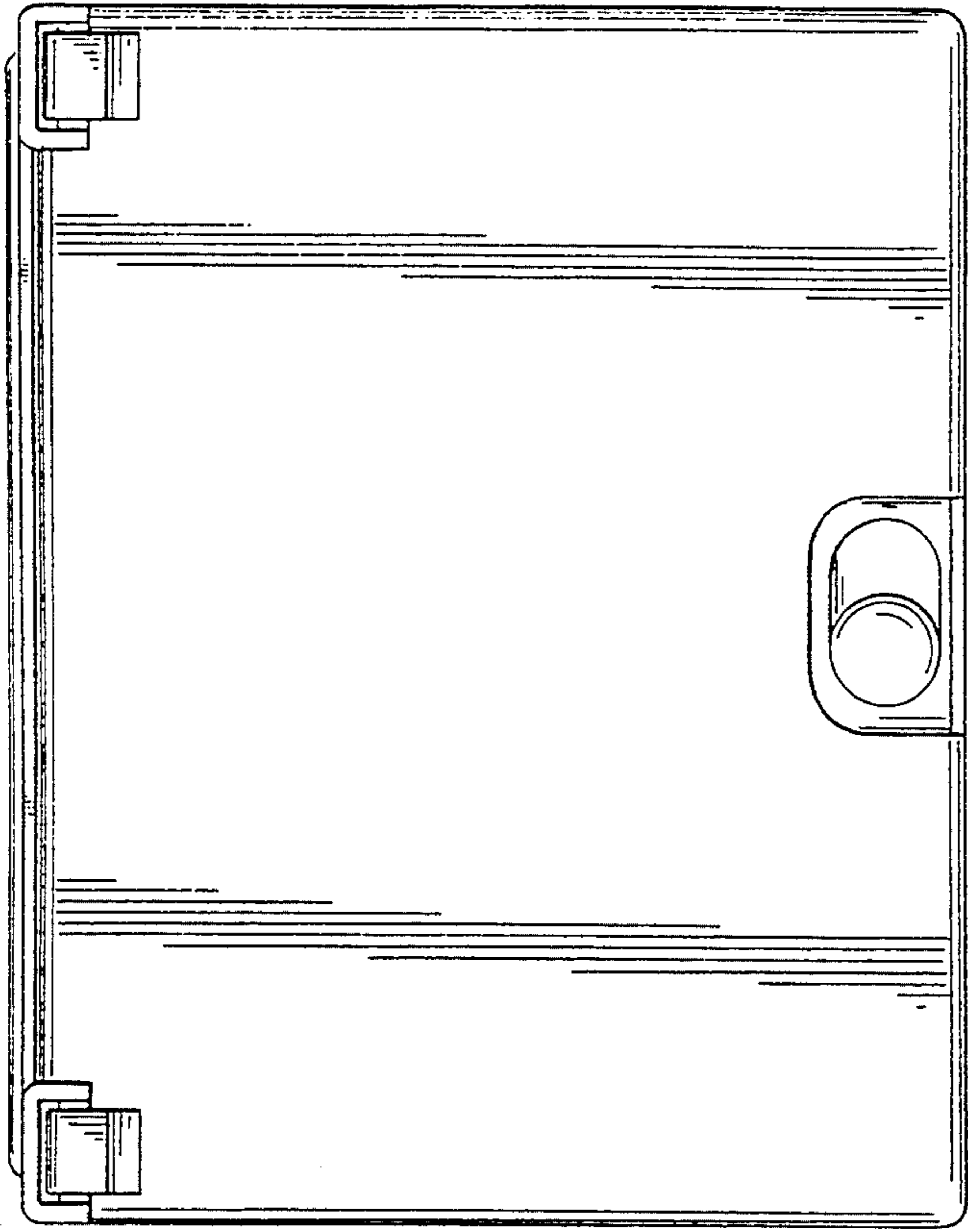


FIG. 3

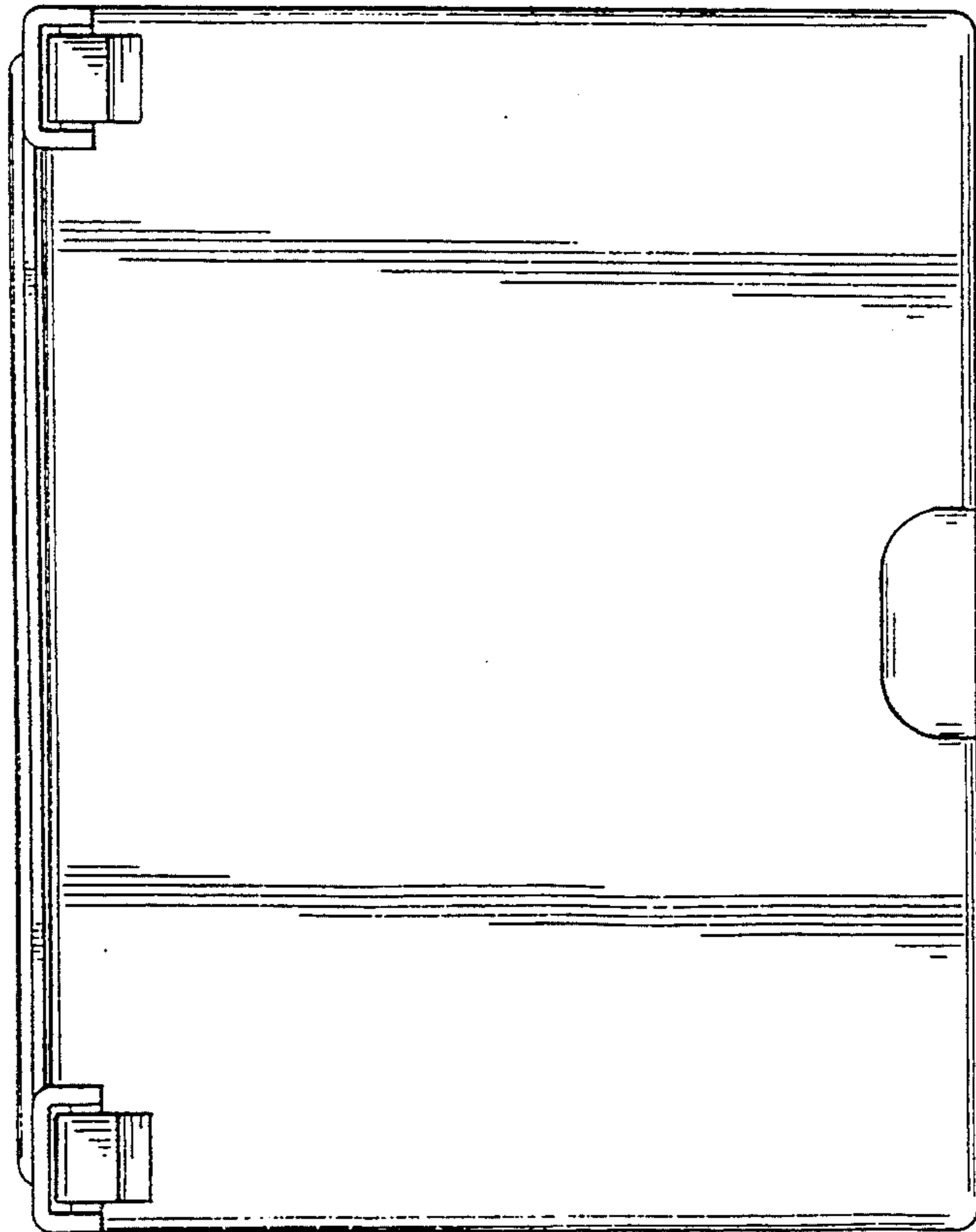


FIG. 4

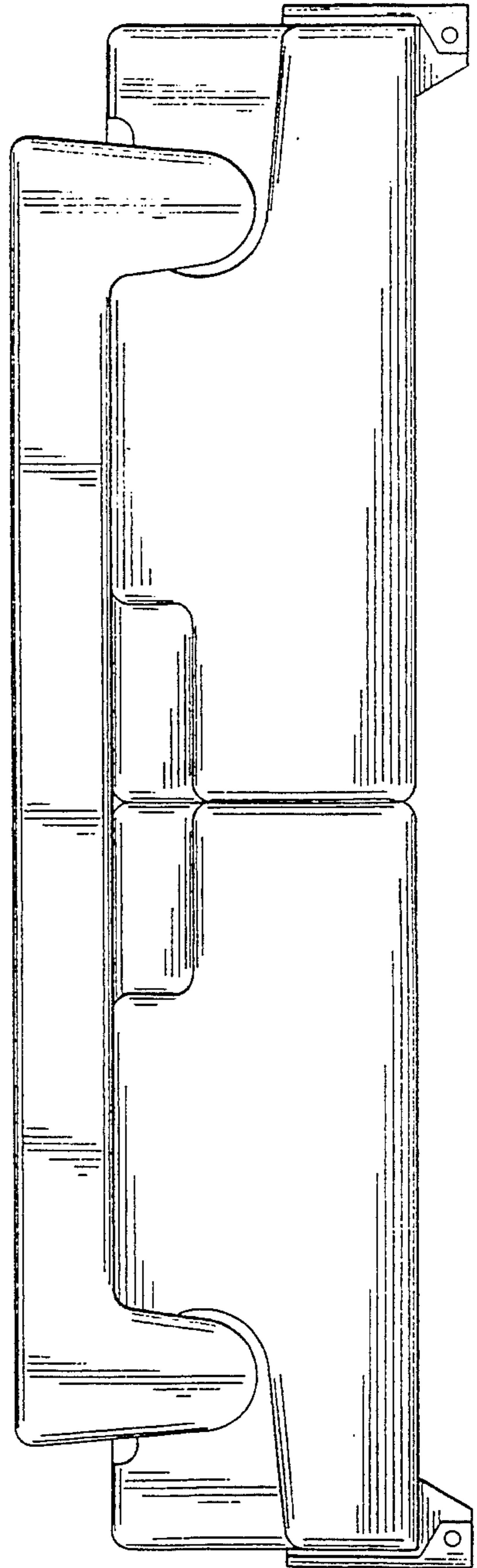


FIG. 5

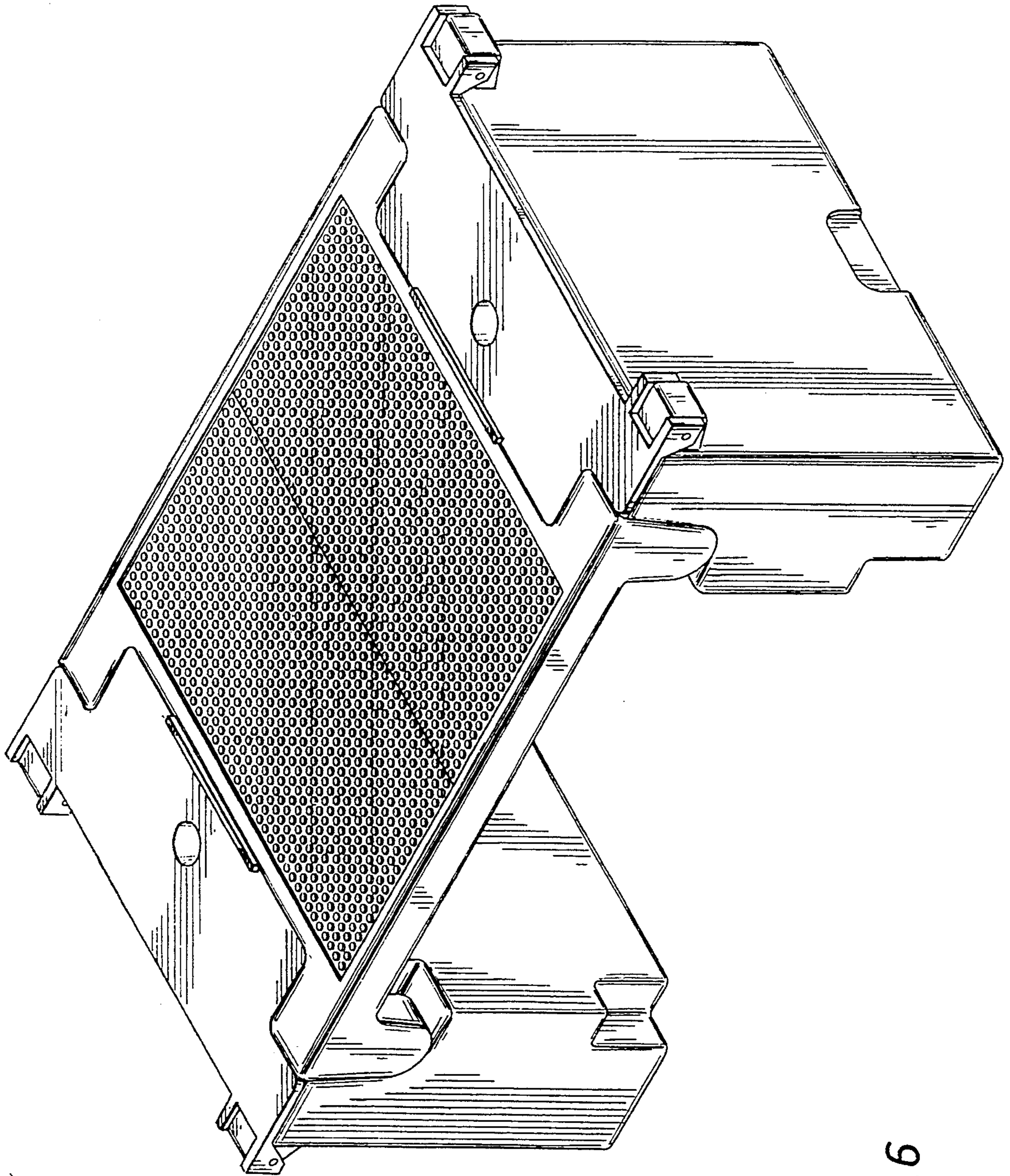


FIG. 6