



US00D350240S

# United States Patent [19]

[11] Patent Number: **Des. 350,240**

**Carstarphen**

[45] Date of Patent: **\*\* Sep. 6, 1994**

[54] **LOUNGE CHAIR**

[76] Inventor: **Jeff L. Carstarphen**, 4104 Bloomfield Dr., Macon, Ga. 31206

[\*\*] Term: **14 Years**

[21] Appl. No.: **1,210**

[22] Filed: **Nov. 6, 1992**

[52] U.S. Cl. .... **D6/361**

[58] Field of Search ..... D6/334, 335, 360, 361, D6/364, 365, 367, 368, 500, 501, 502; 297/349, 452.16; 5/638, 656

D. 298,089 10/1988 Yamasaki ..... D6/368  
D. 311,459 10/1990 Holmström ..... D6/367  
4,518,203 5/1985 White ..... 297/452.16  
4,544,202 10/1985 Keaton ..... 297/349

*Primary Examiner*—Douglas, Alan P.  
*Assistant Examiner*—Gary D. Watson  
*Attorney, Agent, or Firm*—Terry M. Gernstein

### [57] CLAIM

The ornamental design for a lounge chair, as shown and described.

### DESCRIPTION

FIG. 1 is a front, top and side perspective view of the lounge chair showing my new design;  
FIG. 2 is a front end elevational view thereof;  
FIG. 3 is a rear end elevational view thereof;  
FIG. 4 is a side elevational view thereof, the side opposite being a mirror image of the side shown in FIG. 4;  
FIG. 5 is a top plan view thereof; and,  
FIG. 6 is a bottom plan view thereof.

### [56] References Cited

#### U.S. PATENT DOCUMENTS

D. 227,952 7/1973 Costabile ..... D6/361  
D. 249,359 9/1978 Stott et al. .... D6/361 X  
D. 272,108 1/1984 Morris ..... D6/336  
D. 272,873 3/1984 Mengshoel et al. .... D6/364  
D. 279,732 7/1985 Zlotnick ..... D6/361  
D. 282,416 2/1986 Giordano ..... D6/361

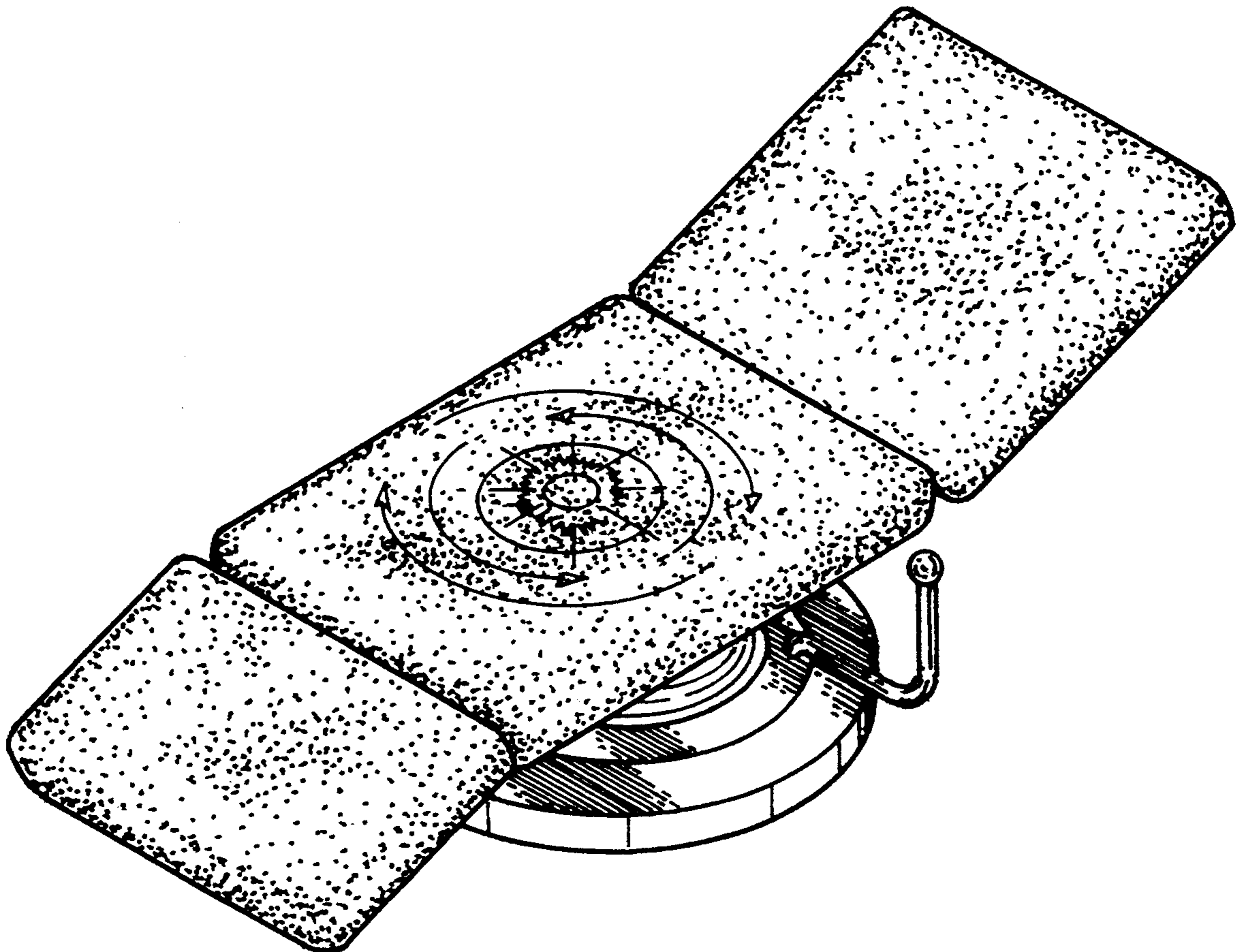
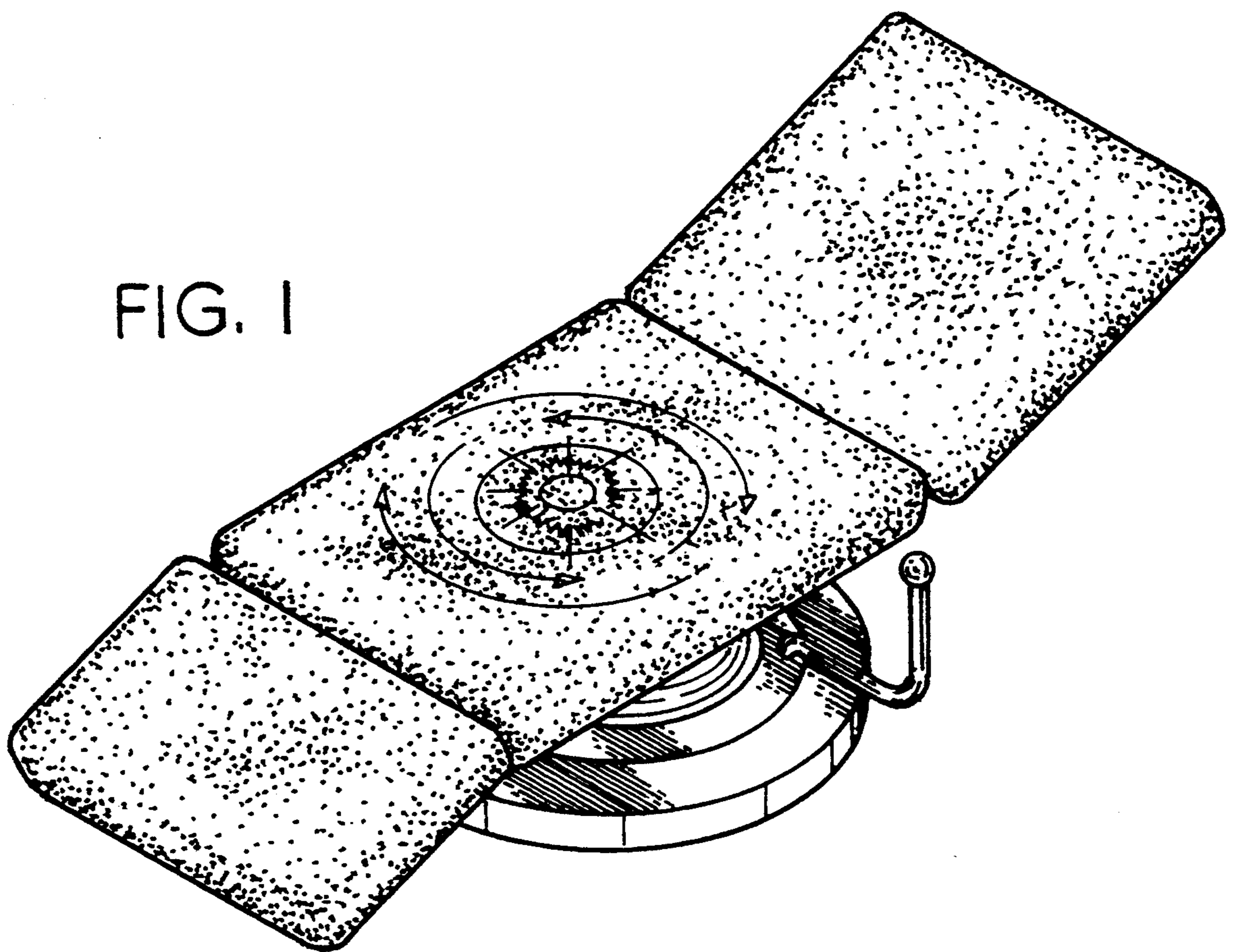


FIG. 1



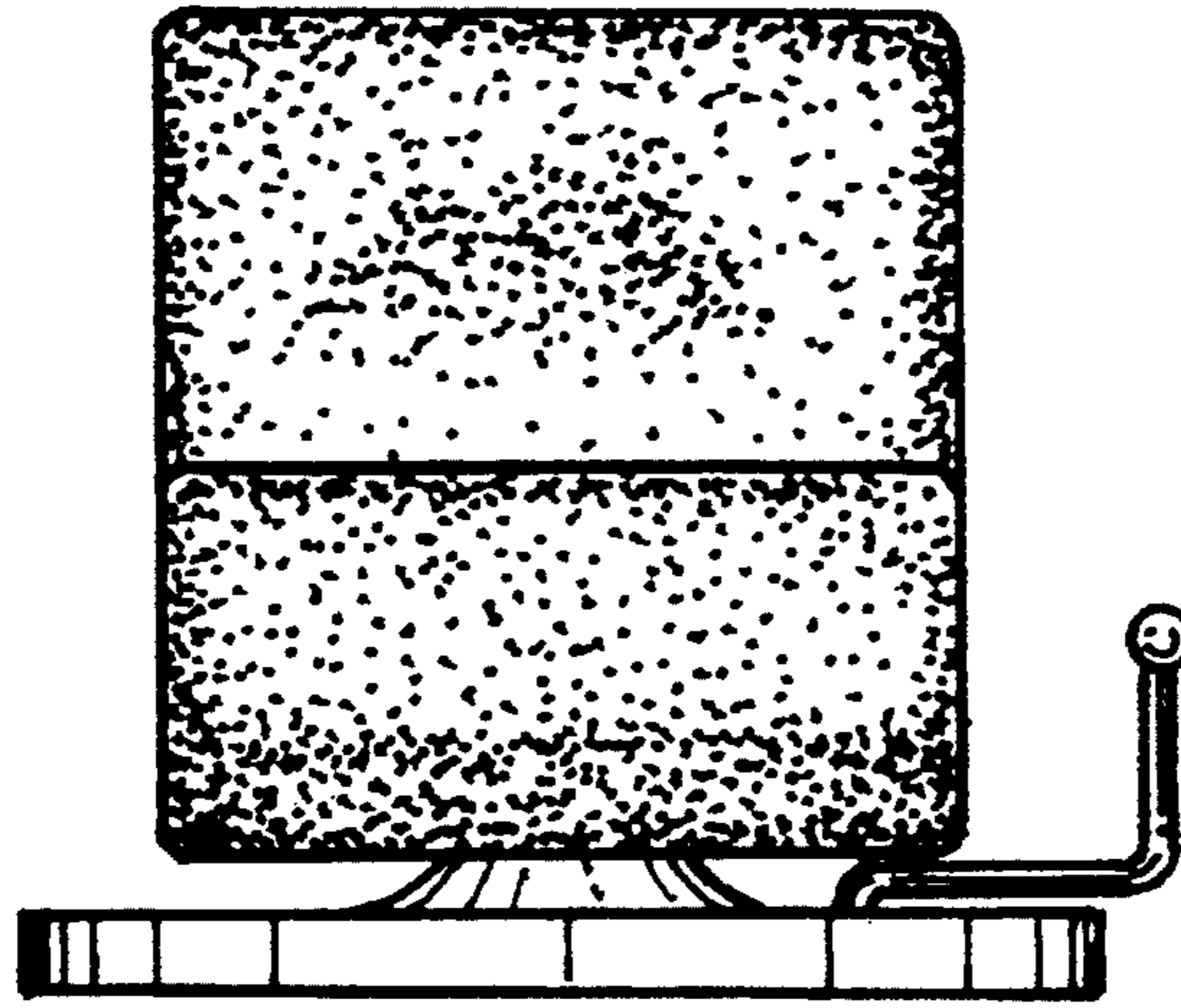


FIG. 2

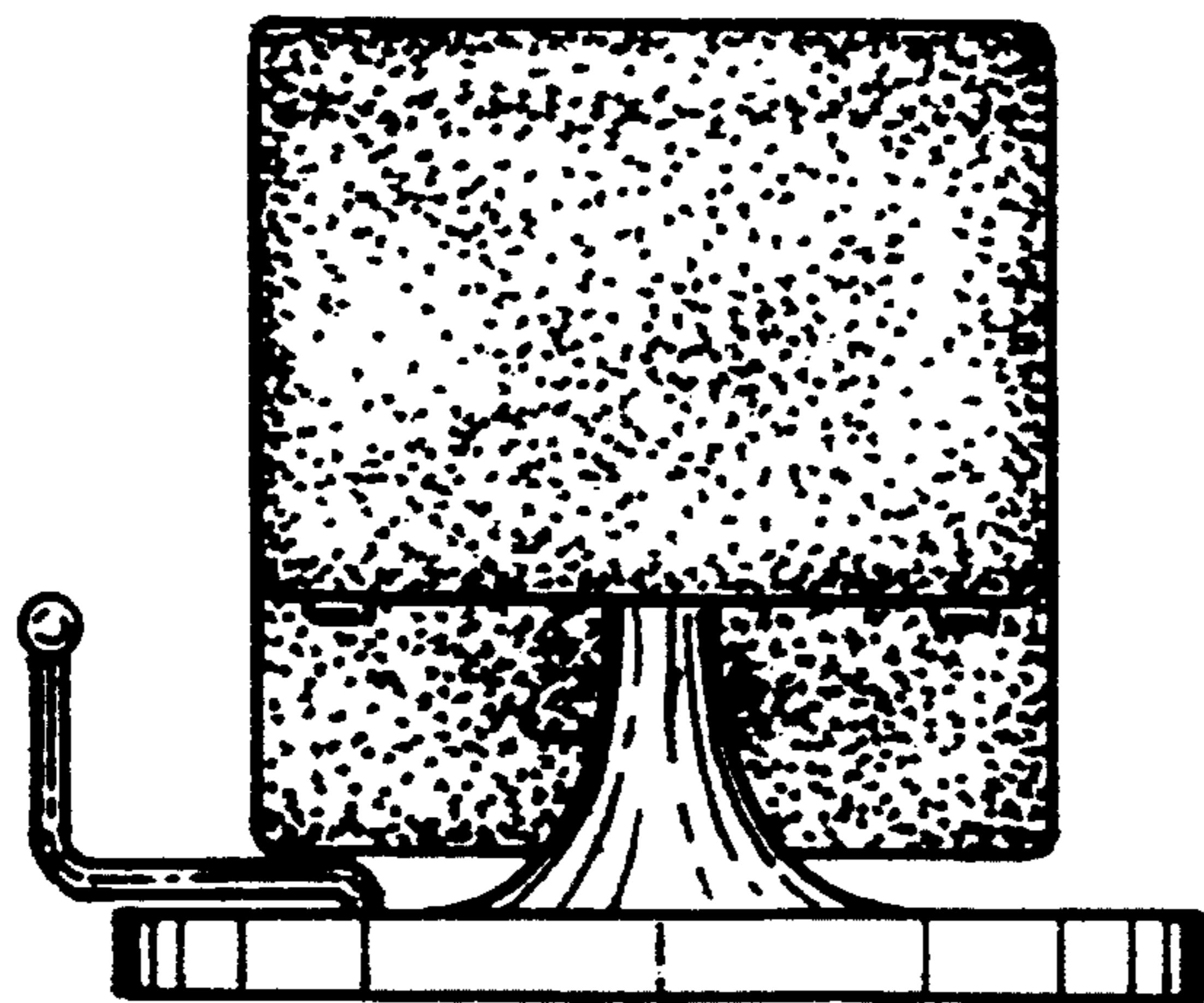


FIG. 3

FIG. 4

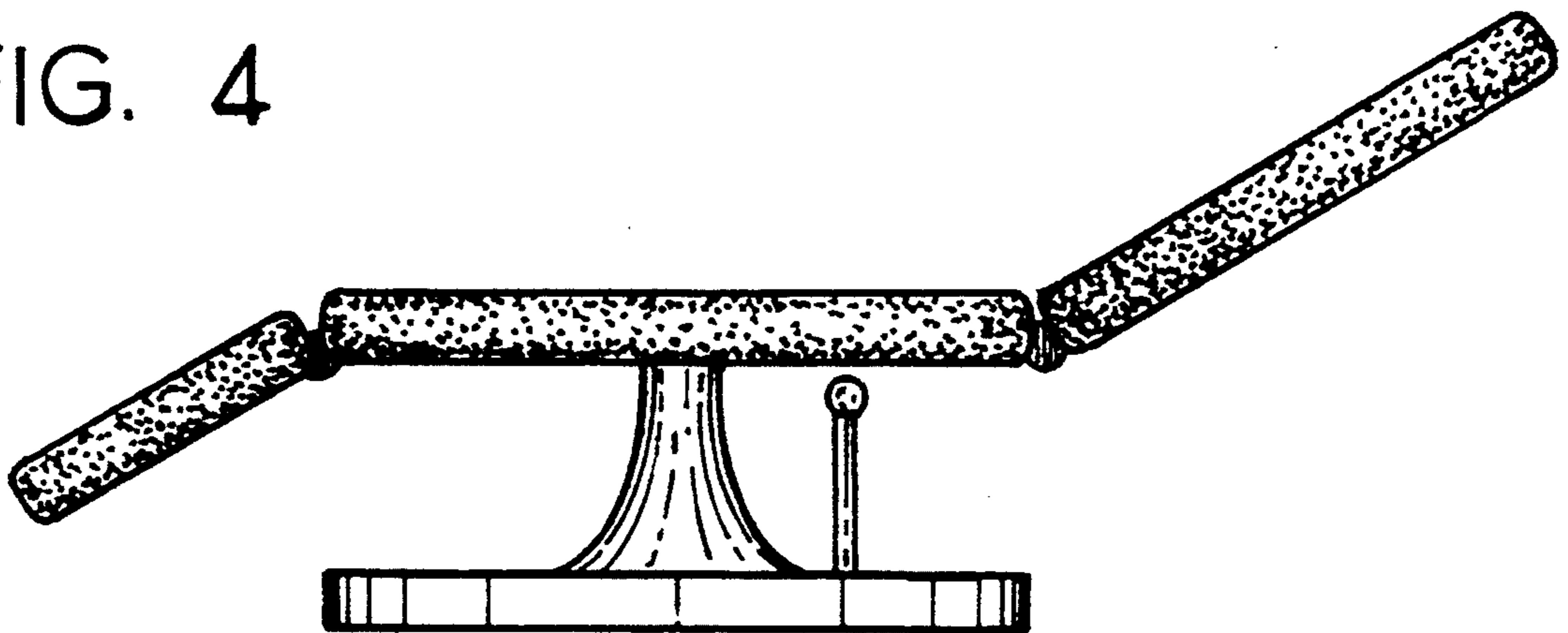


FIG. 5

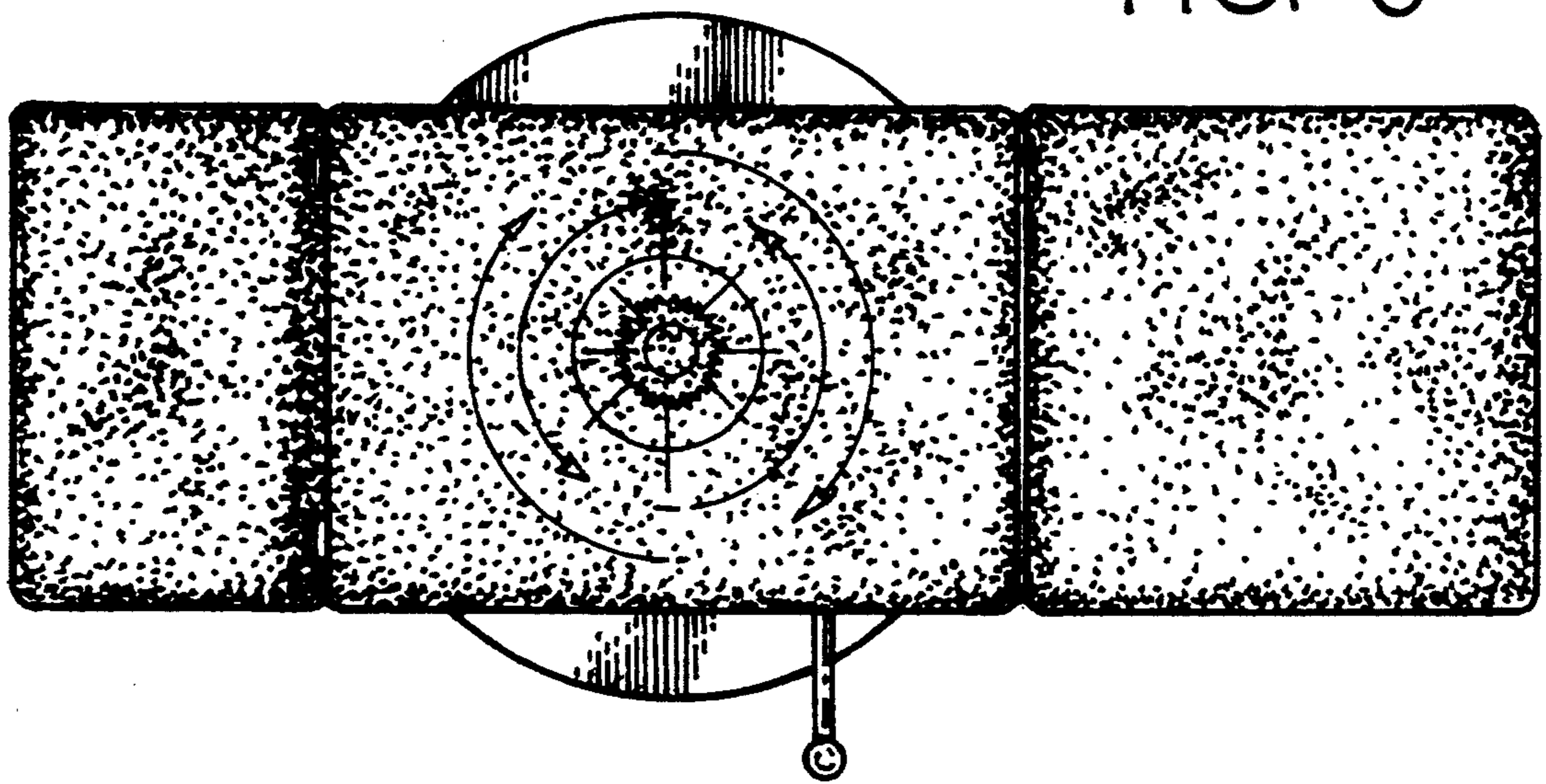


FIG. 6

