



US00D350238S

United States Patent [19]

Ward

[11] Patent Number: **Des. 350,238**

[45] Date of Patent: **** Sep. 6, 1994**

[54] **COOLER CHAIR**

[76] Inventor: **Robert Ward**, 19 Chapel Street,
Cobourg, Ontario, Canada, K9A 1J1

[**] Term: **14 Years**

[21] Appl. No.: **708,633**

[22] Filed: **May 31, 1991**

[52] U.S. Cl. **D6/335**

[58] Field of Search **D6/334, 335, 336, 337,
D6/349, 368; 4/578.1, 579; 297/17, 53, 135,
192, 250.1, 251, 378.1, 487; D23/303, 304**

3,252,167	5/1966	Eddy	4/578.1
3,560,047	2/1971	Davis	297/192 X
4,237,561	12/1980	Britton	4/579 X
4,472,844	9/1984	Mace	4/579
5,100,198	3/1992	Baltzell	297/192

Primary Examiner—Alan P. Douglas
Assistant Examiner—Monica A. Hannon
Attorney, Agent, or Firm—Terry M. Gernstein

[57] **CLAIM**

The ornamental design for a cooler chair, as shown and described.

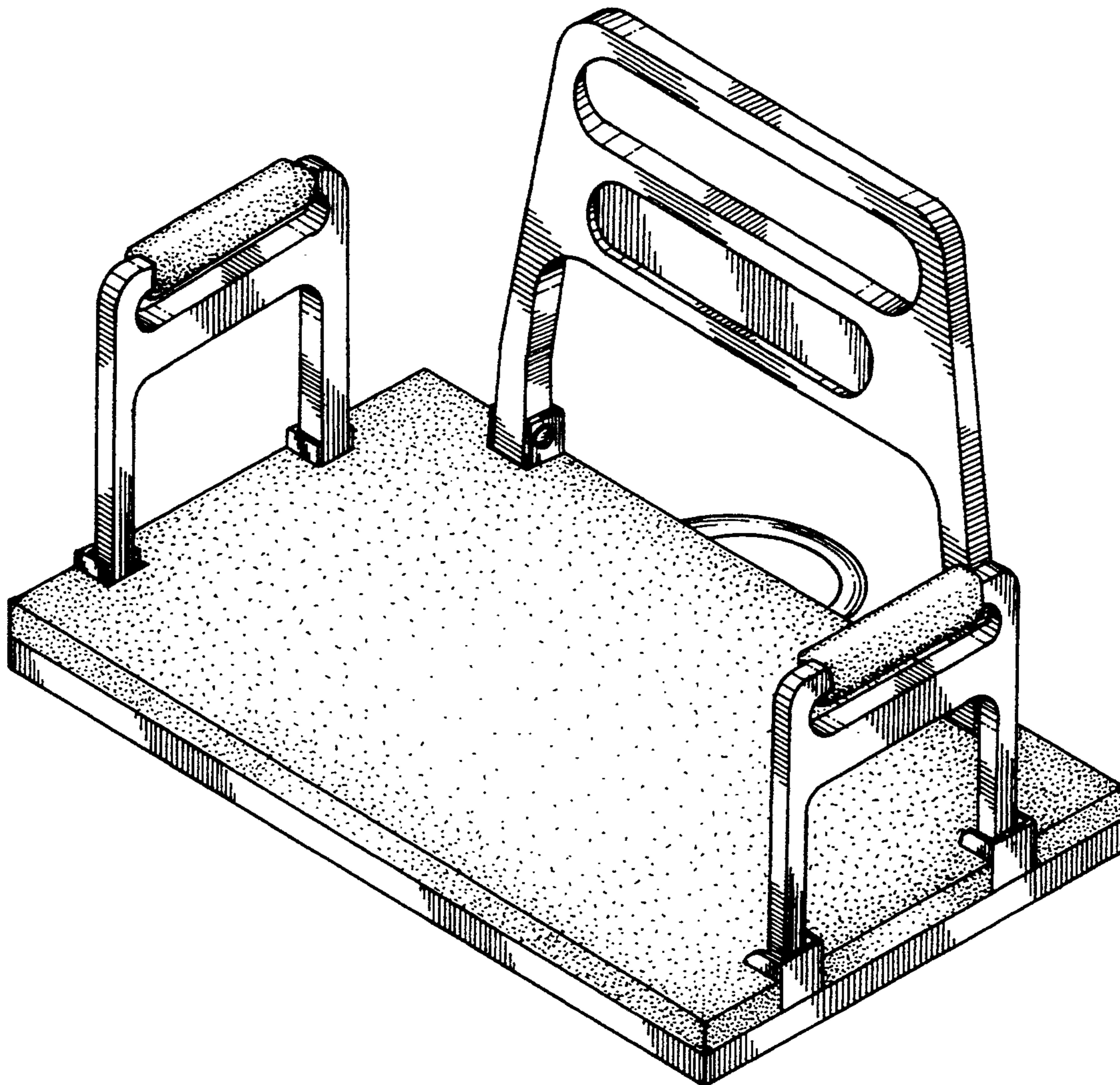
DESCRIPTION

FIG. 1 is a perspective view of the cooler chair embodying the design of the present invention; FIG. 2 is a front elevational view thereof; FIG. 3 is a rear elevational view thereof; FIG. 4 is a side elevational view thereof, the side opposite being a mirror image of the side shown in FIG. 4; FIG. 5 is a top plan view thereof; and, FIG. 6 is a bottom view thereof.

[56] **References Cited**

U.S. PATENT DOCUMENTS

D. 293,632	1/1988	Capocasa	D7/605
D. 309,239	7/1990	Deines	D7/605
2,327,288	8/1943	Post	297/192
2,496,205	1/1950	Grieb	297/250.1
2,528,676	11/1950	Walters	297/17
3,057,508	10/1962	Kimbrough	D7/605



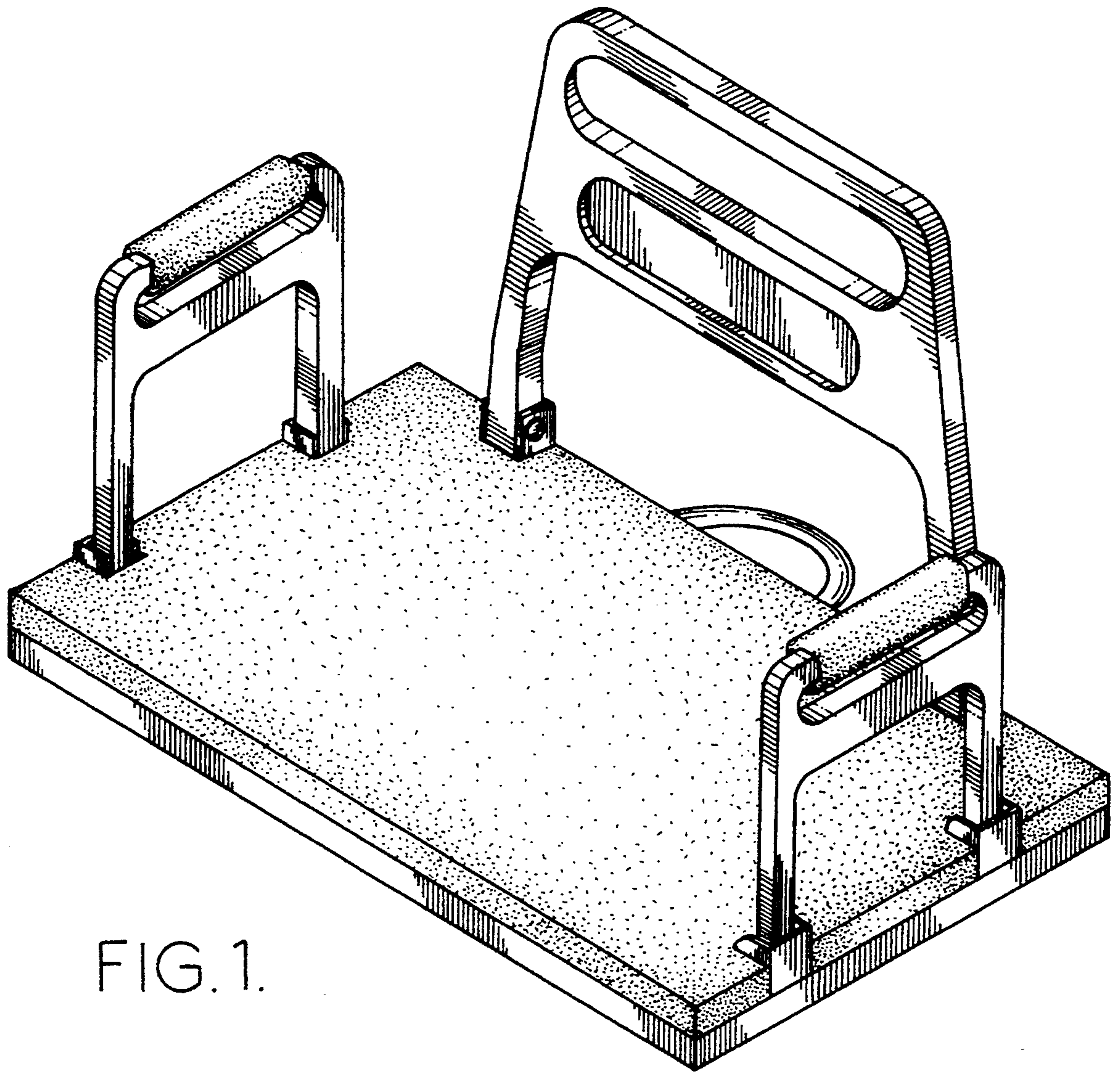


FIG. 1.

FIG. 2.

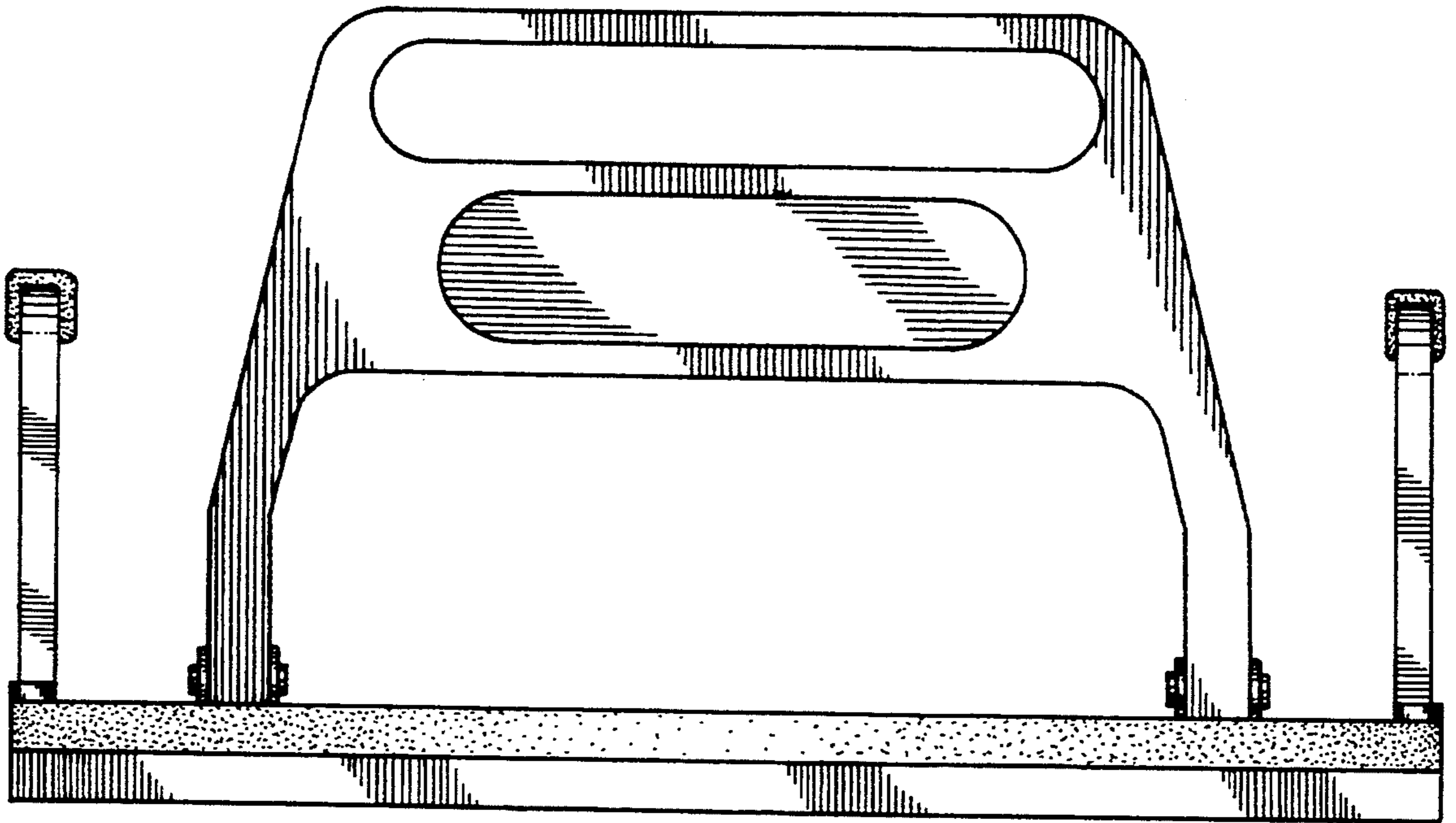


FIG. 4.

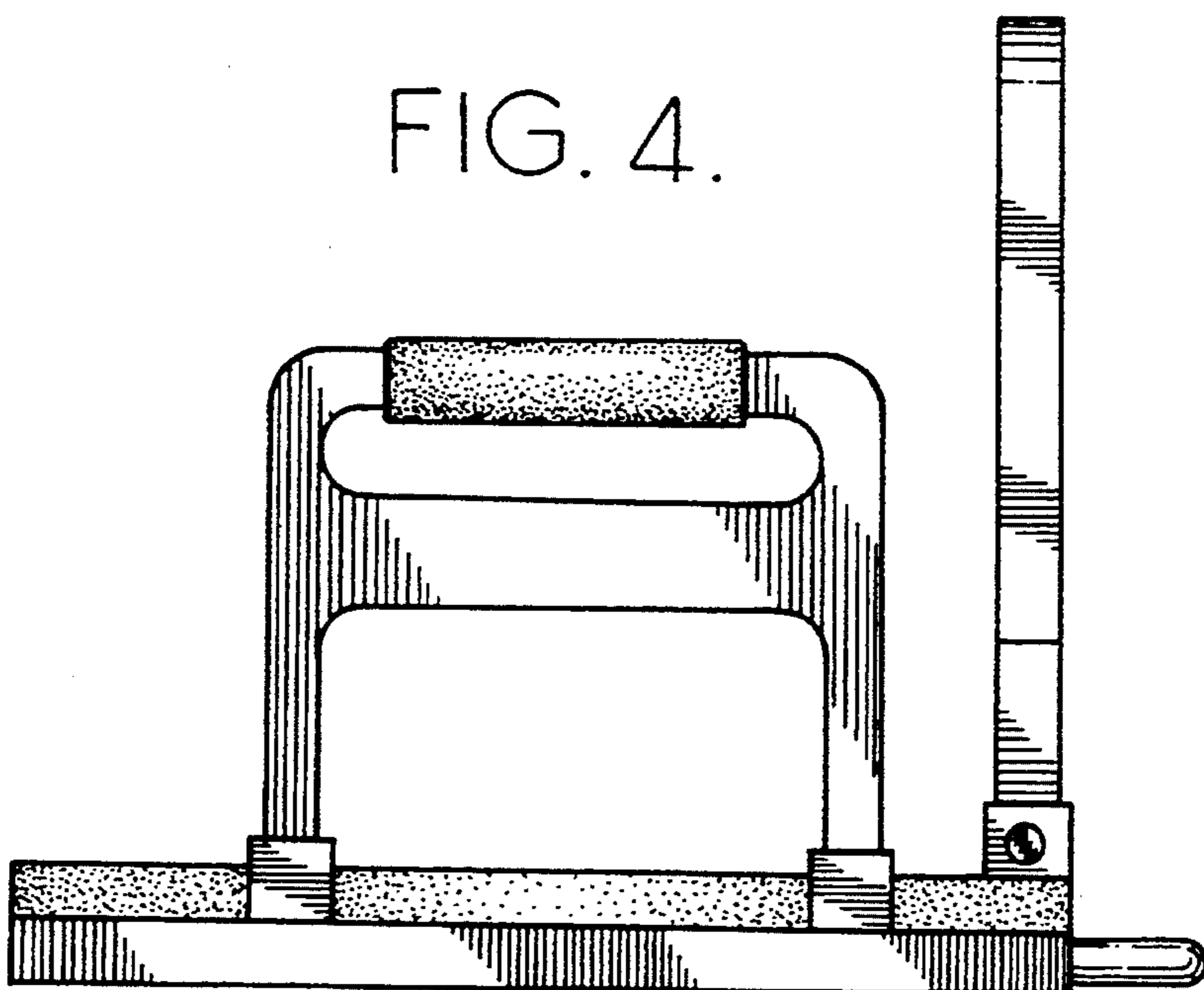


FIG. 3.

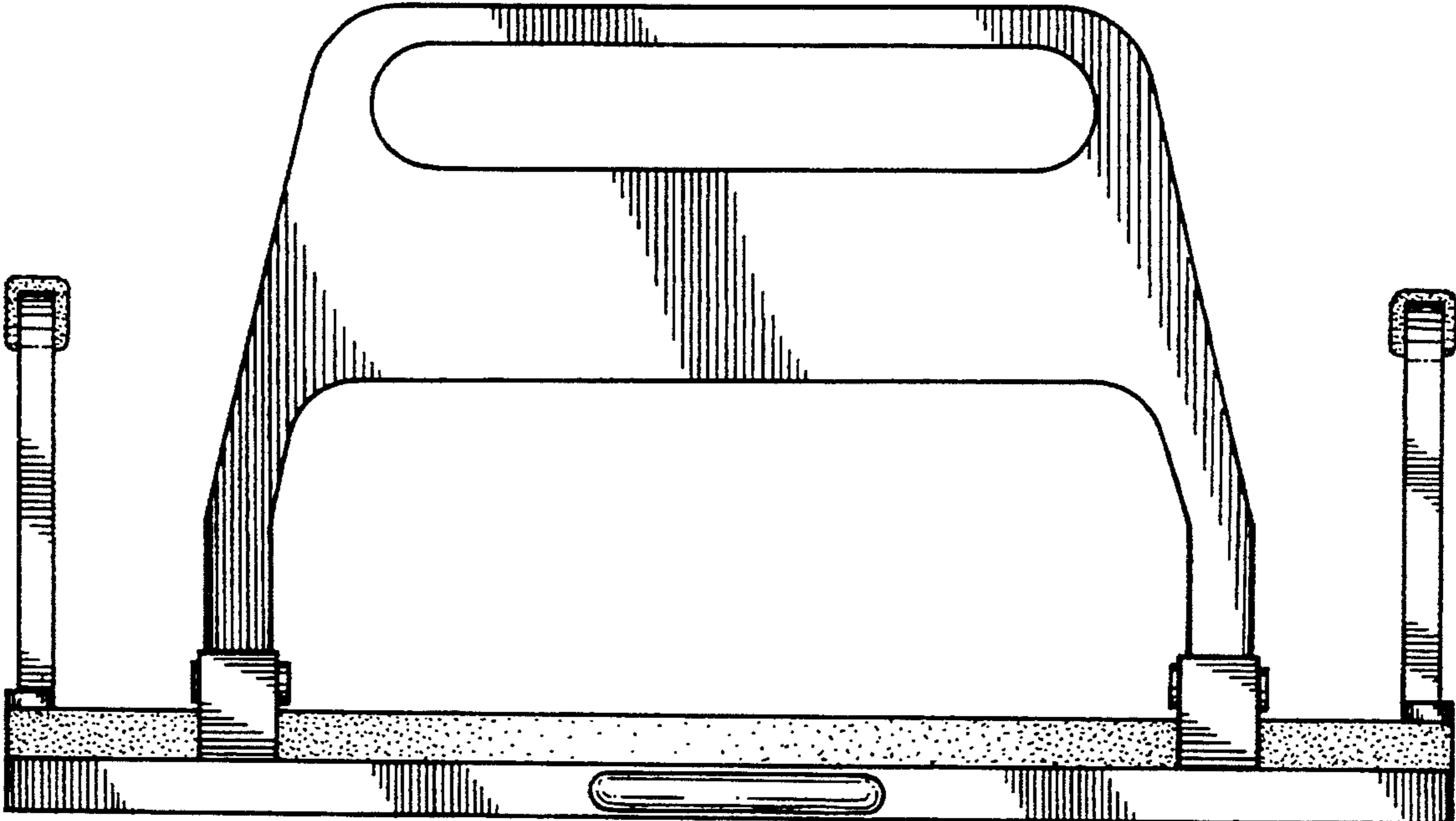
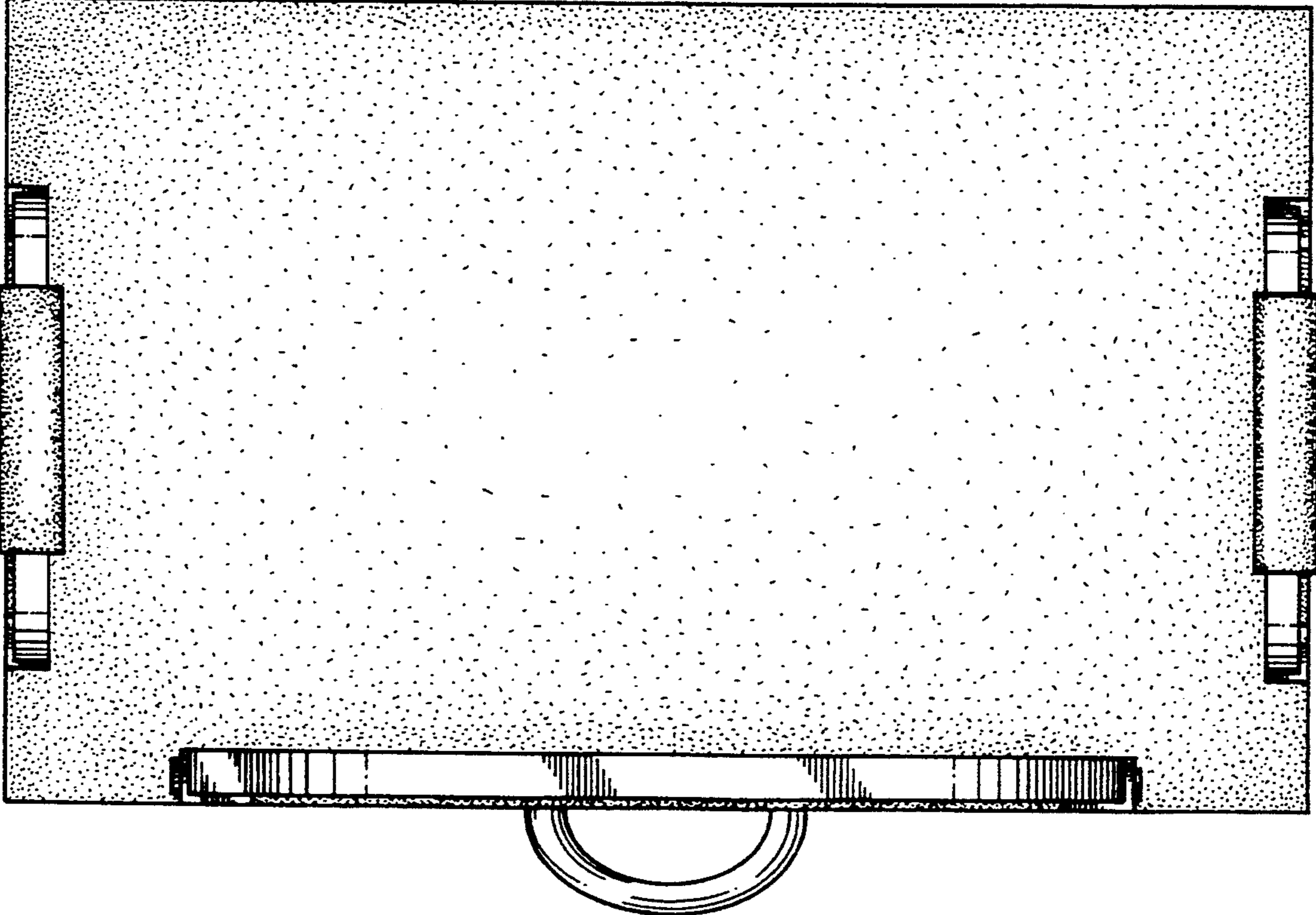


FIG. 5.



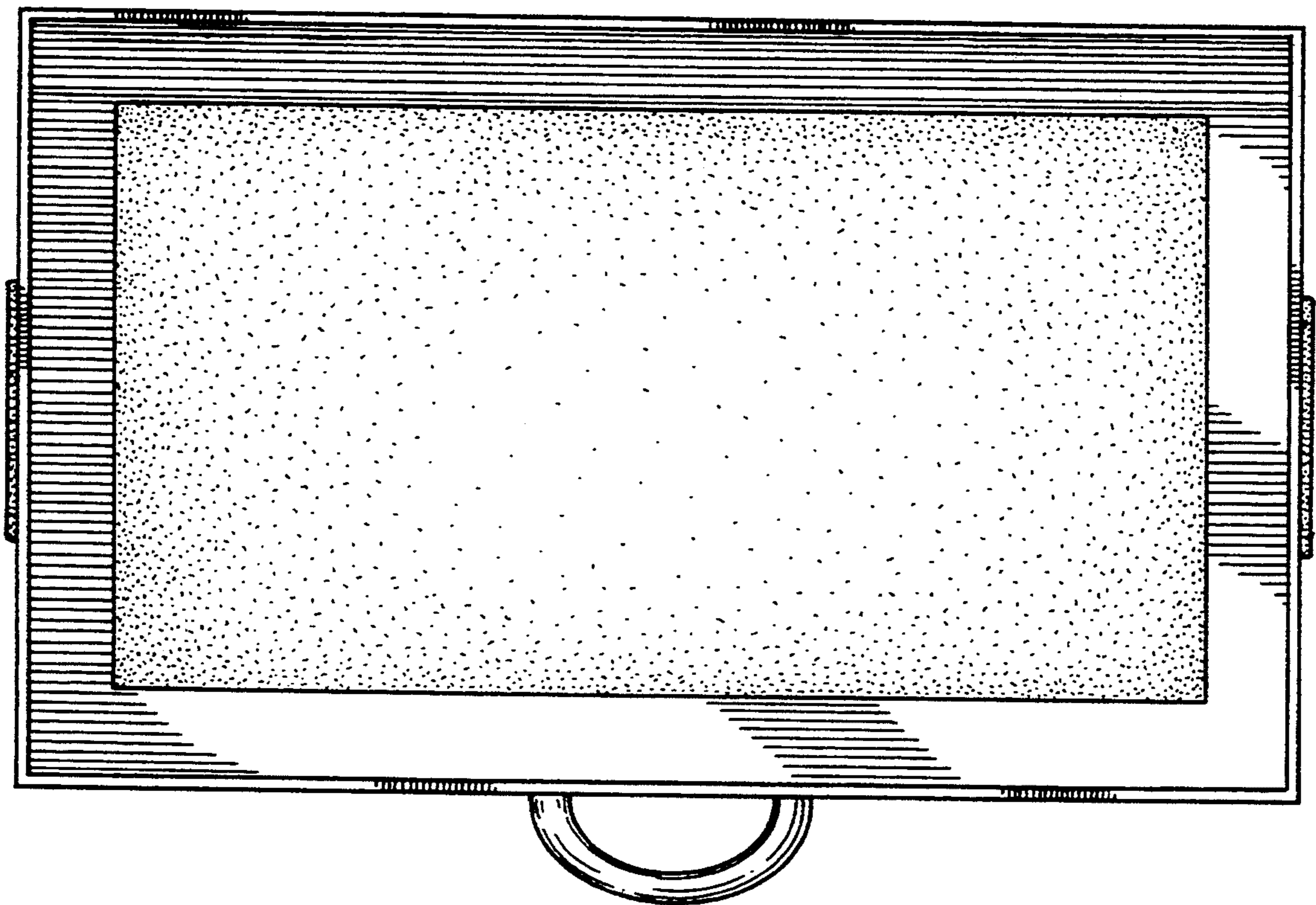


FIG. 6.