



US00D350236S

# United States Patent [19]

[11] Patent Number: **Des. 350,236**

Gouldson et al.

[45] Date of Patent: **\*\* Sep. 6, 1994**

[54] **GARMENT HANGER WITH VERTICAL CLIPS**

5,071,045 12/1991 Hollis .  
5,074,447 12/1991 Kolton et al. .

[75] Inventors: **Stanley Gouldson, Northport; Roland Harmer, Centereach, both of N.Y.**

5,127,559 7/1995 Freer ..... 40/322

[73] Assignee: **Spotless Plastics Pty. Ltd., Australia**

### FOREIGN PATENT DOCUMENTS

544211 11/1983 Australia .  
9009651 8/1990 PCT Int'l Appl. .

[\*\*] Term: **14 Years**

### OTHER PUBLICATIONS

[21] Appl. No.: **870,696**

Photocopy of Hanes Her Way Panty Hanger (undated).

[22] Filed: **Apr. 16, 1992**

*Primary Examiner*—B. J. Bullock

[52] U.S. Cl. .... **D6/326**

*Attorney, Agent, or Firm*—Scully, Scott, Murphy & Presser

[58] Field of Search ..... **D6/315, 326; 211/113; 223/91, 93, 96, 85; 40/322**

### [57] CLAIM

### [56] References Cited

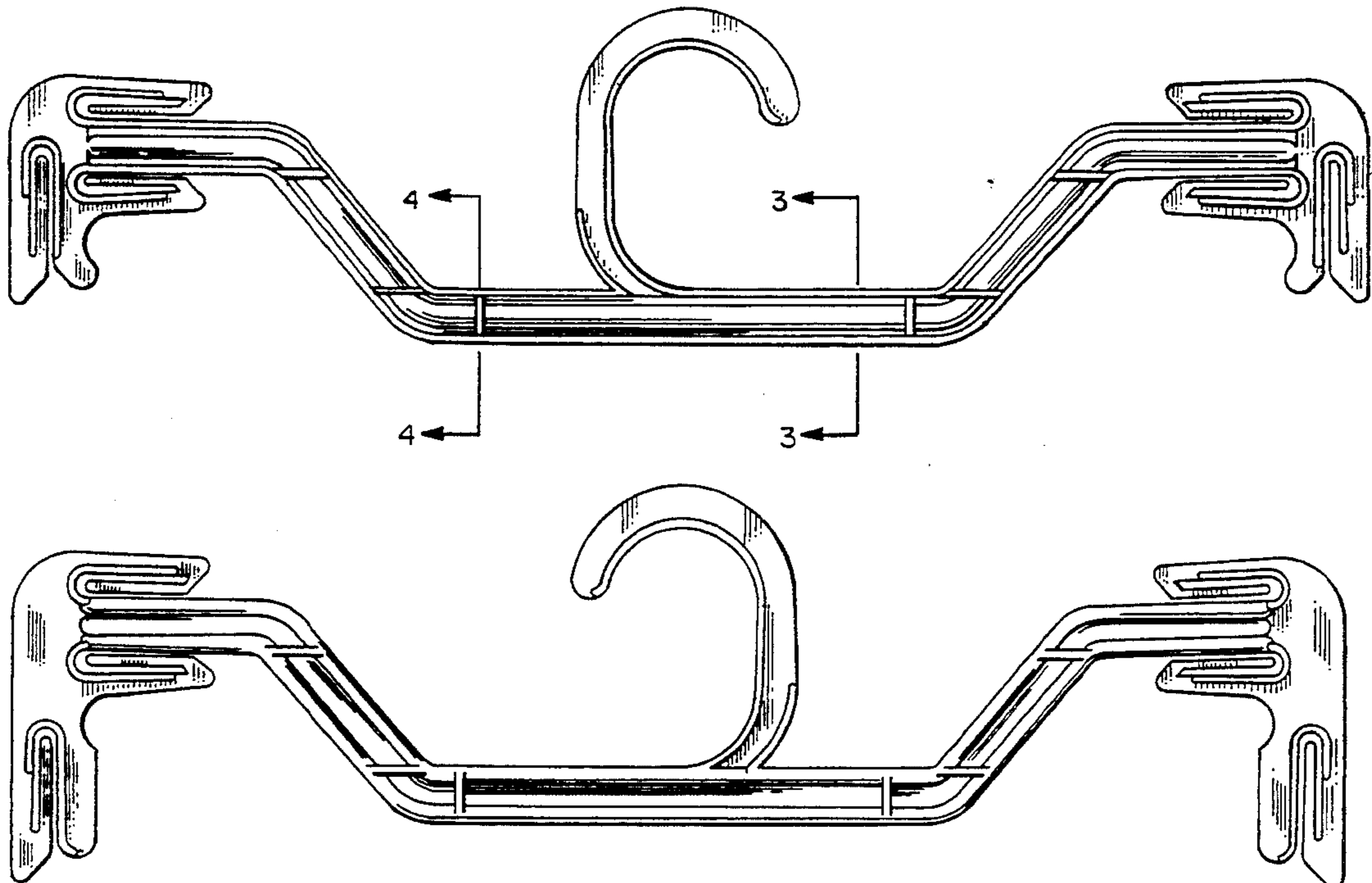
The ornamental design for a garment hanger with vertical clips, as shown and described.

#### U.S. PATENT DOCUMENTS

#### DESCRIPTION

D. 236,572	9/1975	Ostroll .	
D. 246,817	1/1978	Mainetti .	
D. 283,854	5/1986	Marshall .	
D. 298,184	10/1988	Tendrup .....	D6/326
D. 305,834	2/1990	DeVito .....	D6/326
D. 324,459	3/1992	Gouldson et al. ....	D6/326
D. 329,755	9/1992	Gouldson et al. ....	D6/326
D. 335,581	5/1993	Gouldson .....	D6/315
3,463,369	9/1969	Moskowitz .	
3,738,549	6/1973	Driscoll .	
4,006,547	2/1977	Samuels et al. .	
4,115,940	9/1978	Phillips .	
4,623,079	11/1986	Tendrup et al. .	
4,629,102	12/1986	Tendrup et al. .	
4,828,155	5/1989	Louw .	
4,886,195	12/1989	Blanchard .	
4,892,237	1/1990	Duester et al. ....	223/85
4,951,855	9/1990	Jacobson et al. .	
5,040,686	9/1991	Morrow .	
5,062,556	11/1991	Willpütz .....	D6/315

FIG. 1 is a front elevational view of a garment hanger showing our new design;  
 FIG. 2 is a rear elevational view thereof;  
 FIG. 3 is an enlarged sectional view taken in the direction of arrows on line 3—3 of FIG. 1;  
 FIG. 4 is an enlarged sectional view taken on line 4—4 of FIG. 1;  
 FIG. 5 is a top plan view thereof, the bottom being unornamented;  
 FIG. 6 is a right end elevational view thereof, the left end being identical;  
 FIG. 7 is a front elevational view of a second embodiment of the design of FIG. 1, the only difference being the configuration of the clips;  
 FIG. 8 is a rear elevational view of FIG. 7; and,  
 FIG. 9 is an enlarged sectional view taken in the direction of the arrows on line 9—9 of FIG. 7.



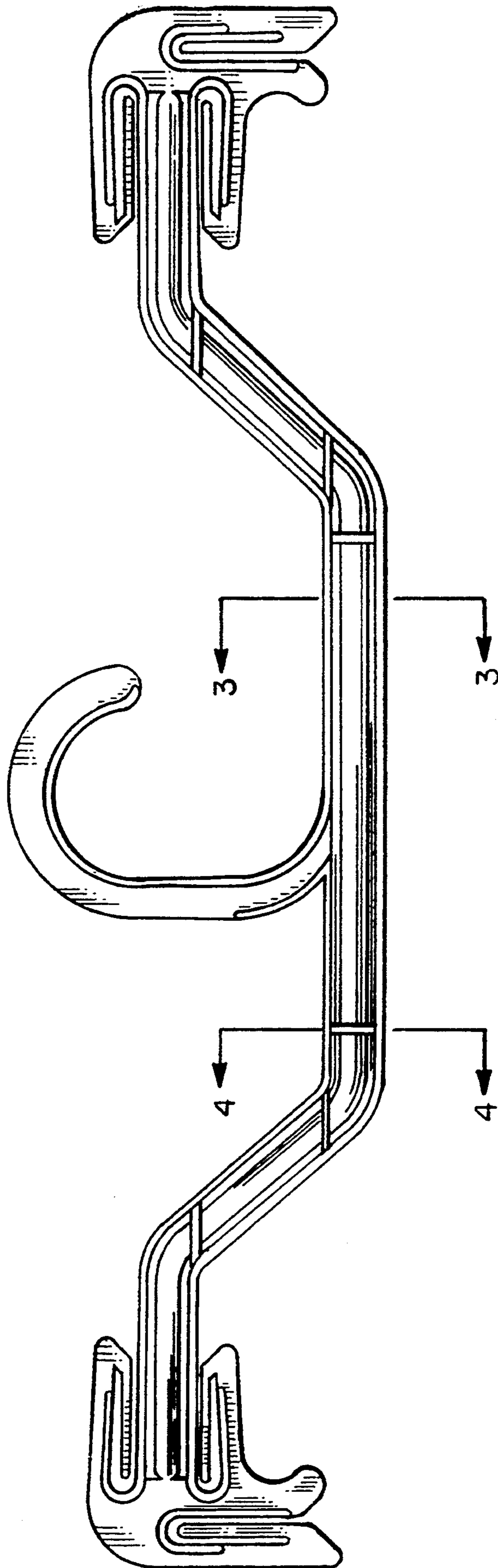


FIG. 1

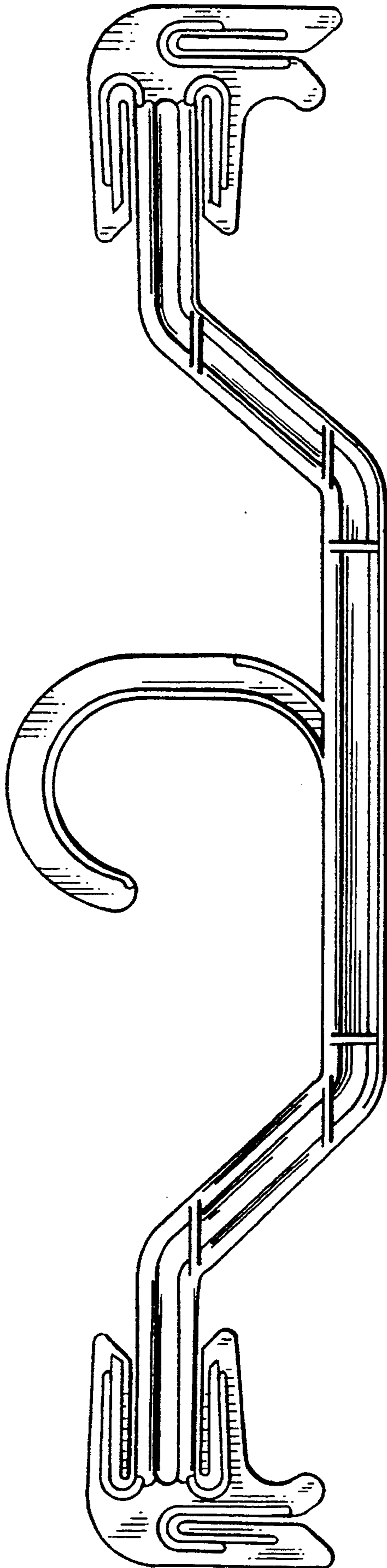


FIG. 2



FIG. 4



FIG. 3



FIG. 5



FIG. 6



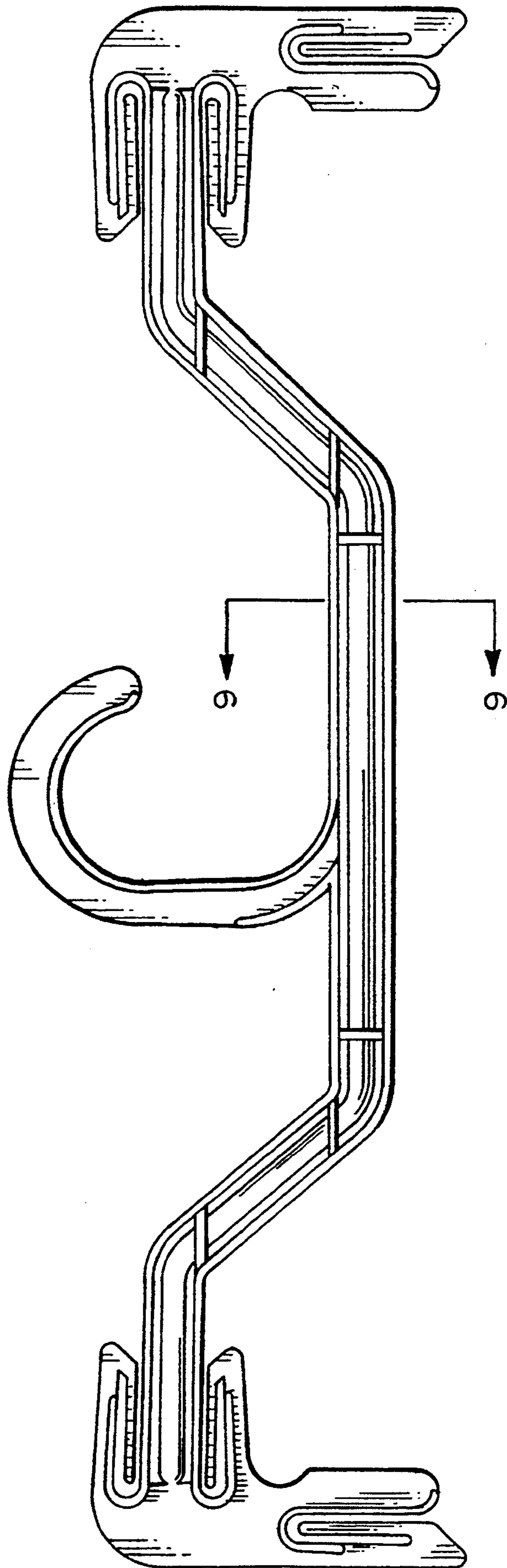


FIG. 7

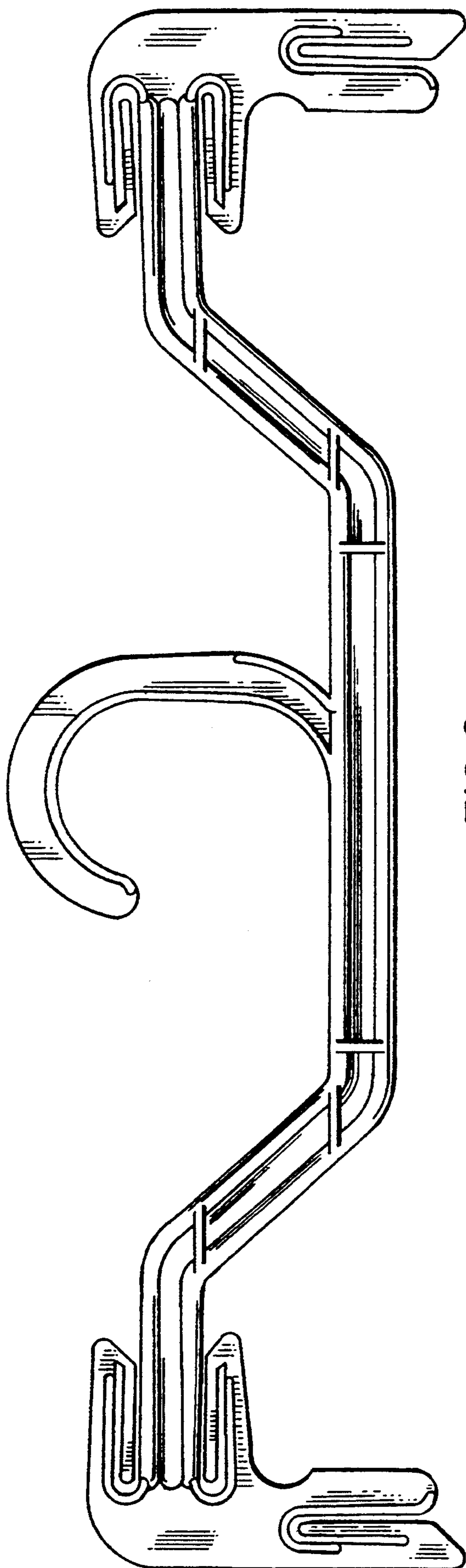


FIG. 8



FIG. 9