



US00D350232S

# United States Patent [19]

Stangarone et al.

[11] Patent Number: **Des. 350,232**

[45] Date of Patent: **\*\* Sep. 6, 1994**

[54] **COMBINED BRUSH AND SPONGE FOR CLEANING GOLF CLUBS**

[76] Inventors: **Mark Stangarone; Robert Fee**, both of 134 Mallette St., Thornton, Ill. 60476

[\*\*] Term: **14 Years**

[21] Appl. No.: **781,293**

[22] Filed: **Oct. 23, 1991**

[52] U.S. Cl. .... **D4/116; D4/136; D32/42**

[58] Field of Search ..... **D4/116, 119-121, D4/136-137; 15/104.92-104.94, 105-107, 114, 159.1, 160, 244.1; 273/32 B, 162 F; D32/35, 40, 42**

[56] **References Cited**

**U.S. PATENT DOCUMENTS**

- D. 180,034 4/1957 Robertson ..... D4/121
- D. 187,258 2/1960 Siekkinen ..... D4/120
- D. 191,299 9/1961 Beban ..... D4/134

- 3,280,420 10/1966 Wanzenberg ..... 15/104.94 X
- 3,406,658 10/1968 Neugart ..... 15/104.93 X
- 4,872,232 10/1989 Stiasny ..... 15/88.4
- 4,951,339 8/1990 Braun ..... 15/88.4
- 4,958,396 9/1990 Butler ..... 15/88.4

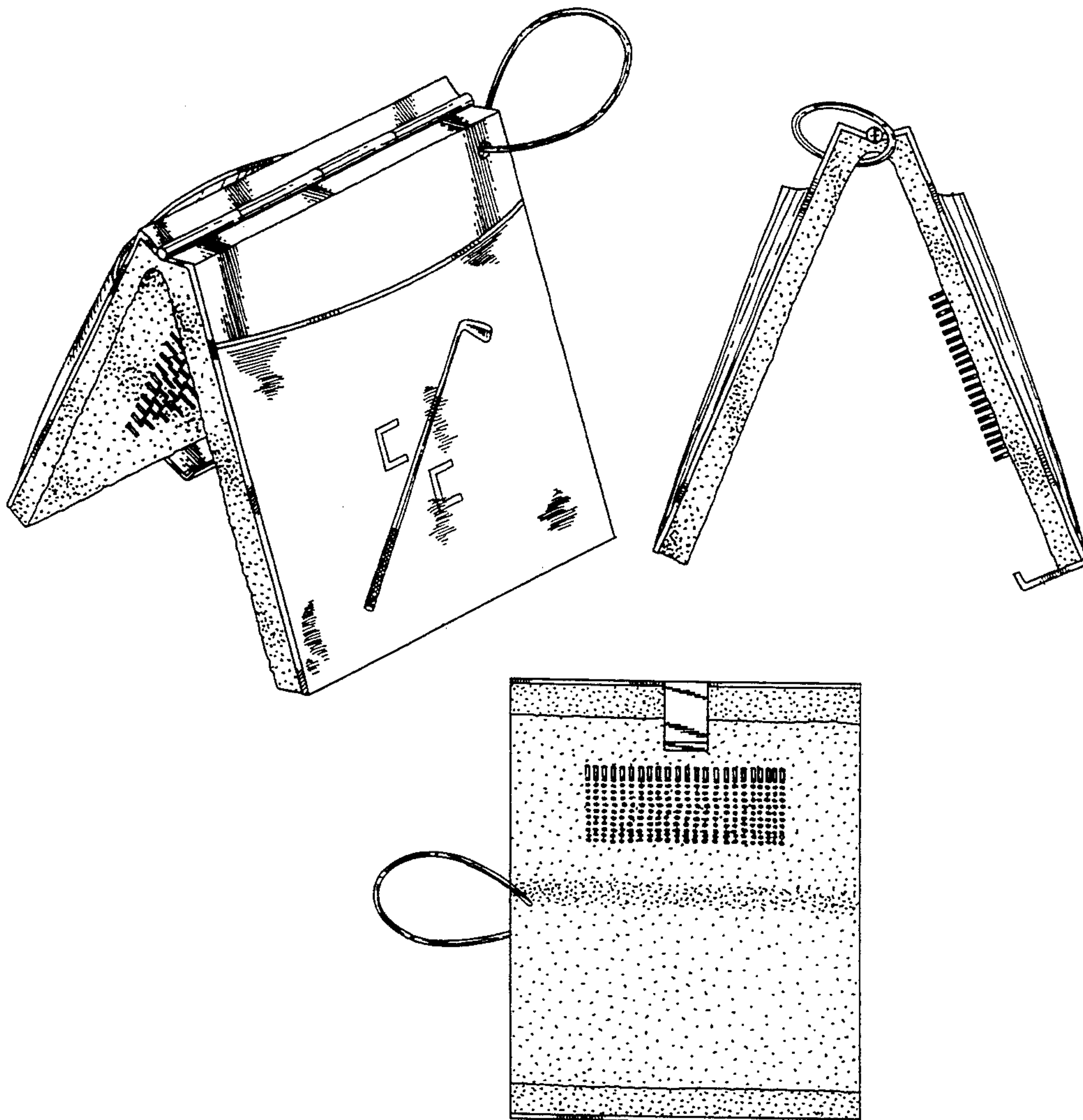
*Primary Examiner*—Wallace W. Burke  
*Assistant Examiner*—Lavone D. Tabor  
*Attorney, Agent, or Firm*—Terry M. Gernstein

[57] **CLAIM**

The ornamental design for a combined brush and sponge for cleaning golf clubs, as shown and described.

**DESCRIPTION**

FIG. 1 is a perspective view of the combined brush and sponge for cleaning golf clubs embodying the design of the present invention;  
FIG. 2 is a front end elevational view thereof;  
FIG. 3 is a rear end elevational view thereof;  
FIG. 4 is a side elevational view thereof;  
FIG. 5 is a side elevational view thereof;  
FIG. 6 is a top plan view thereof; and,  
FIG. 7 is a bottom view thereof.



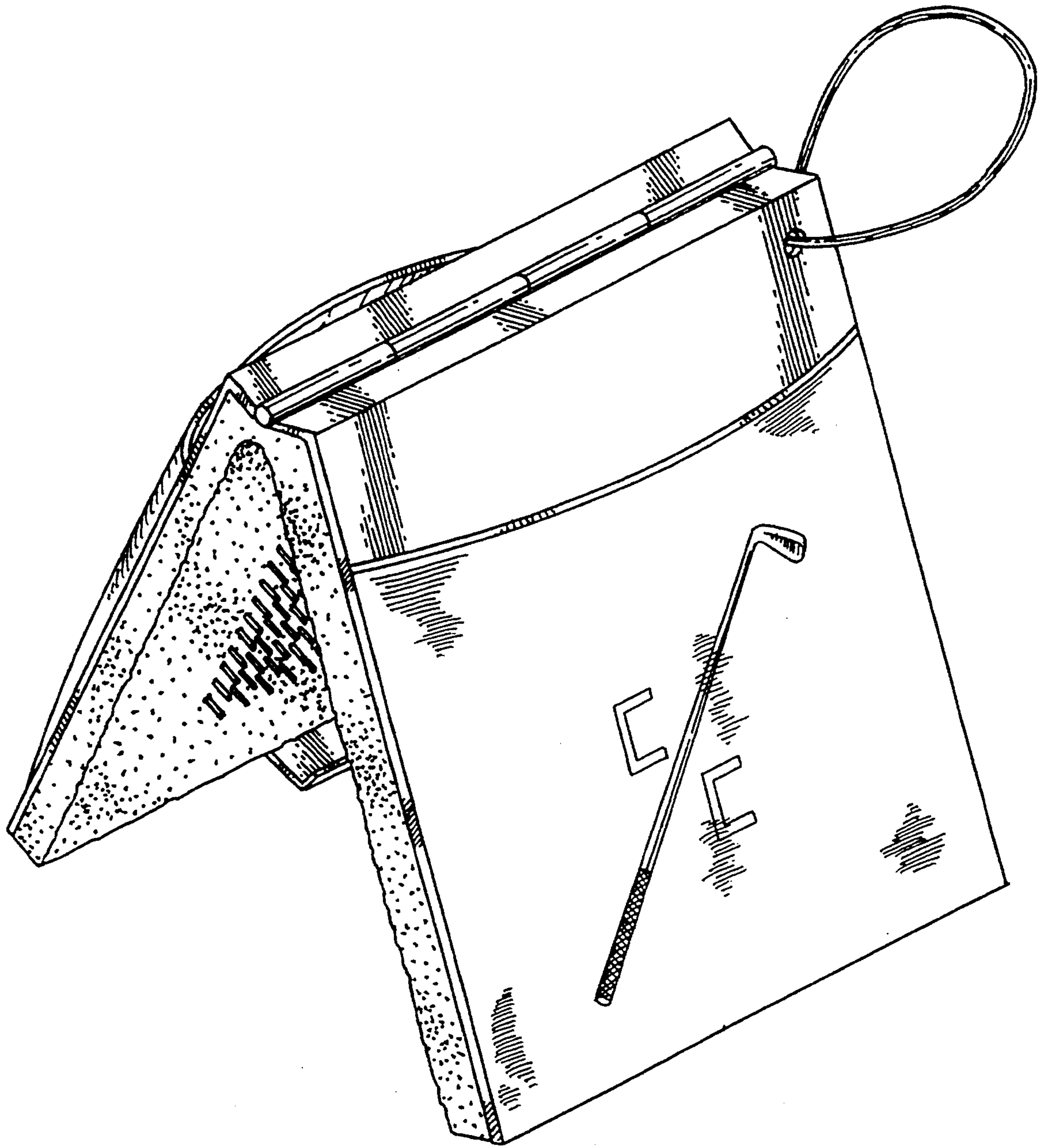


FIG. 1

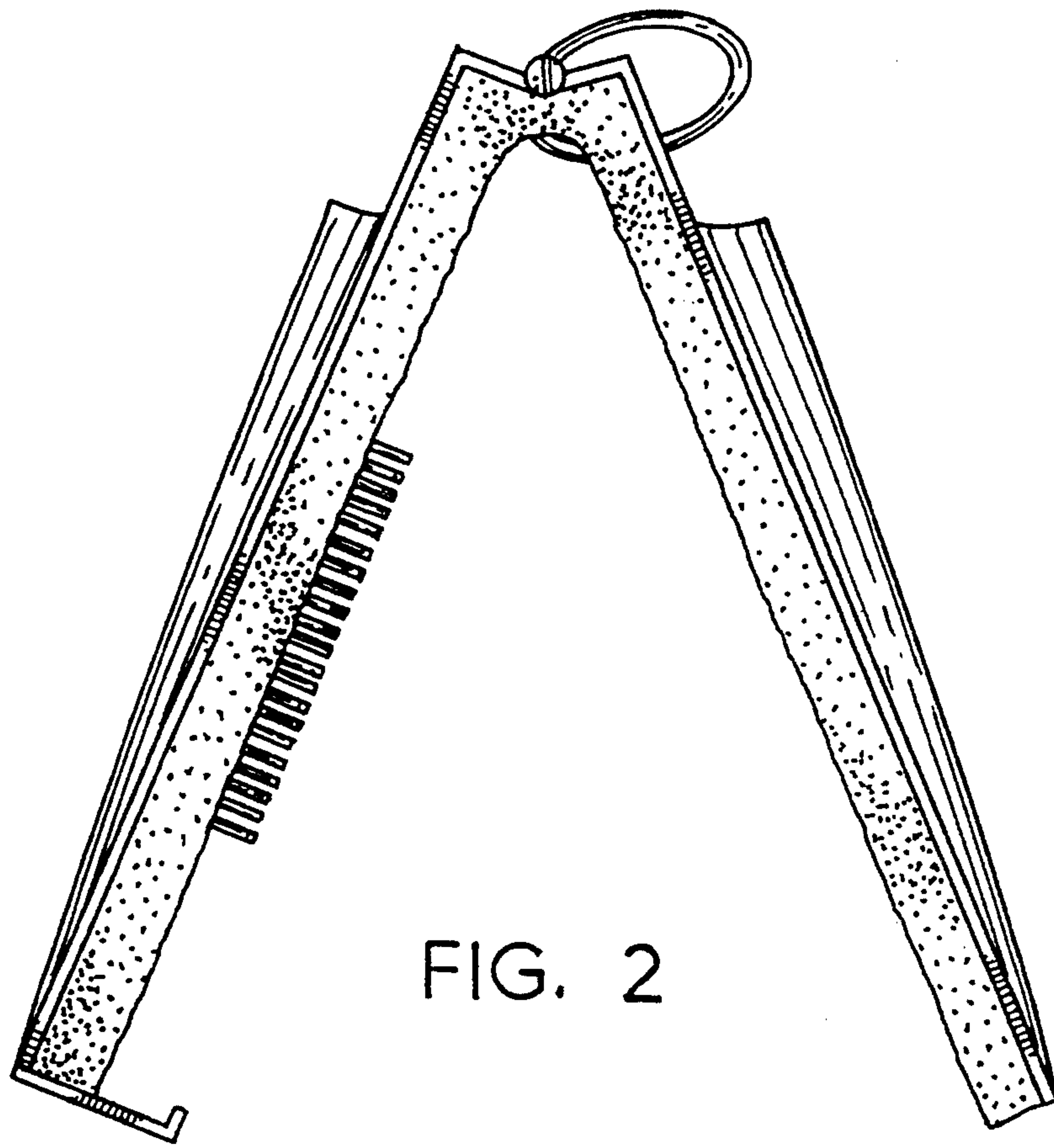


FIG. 2

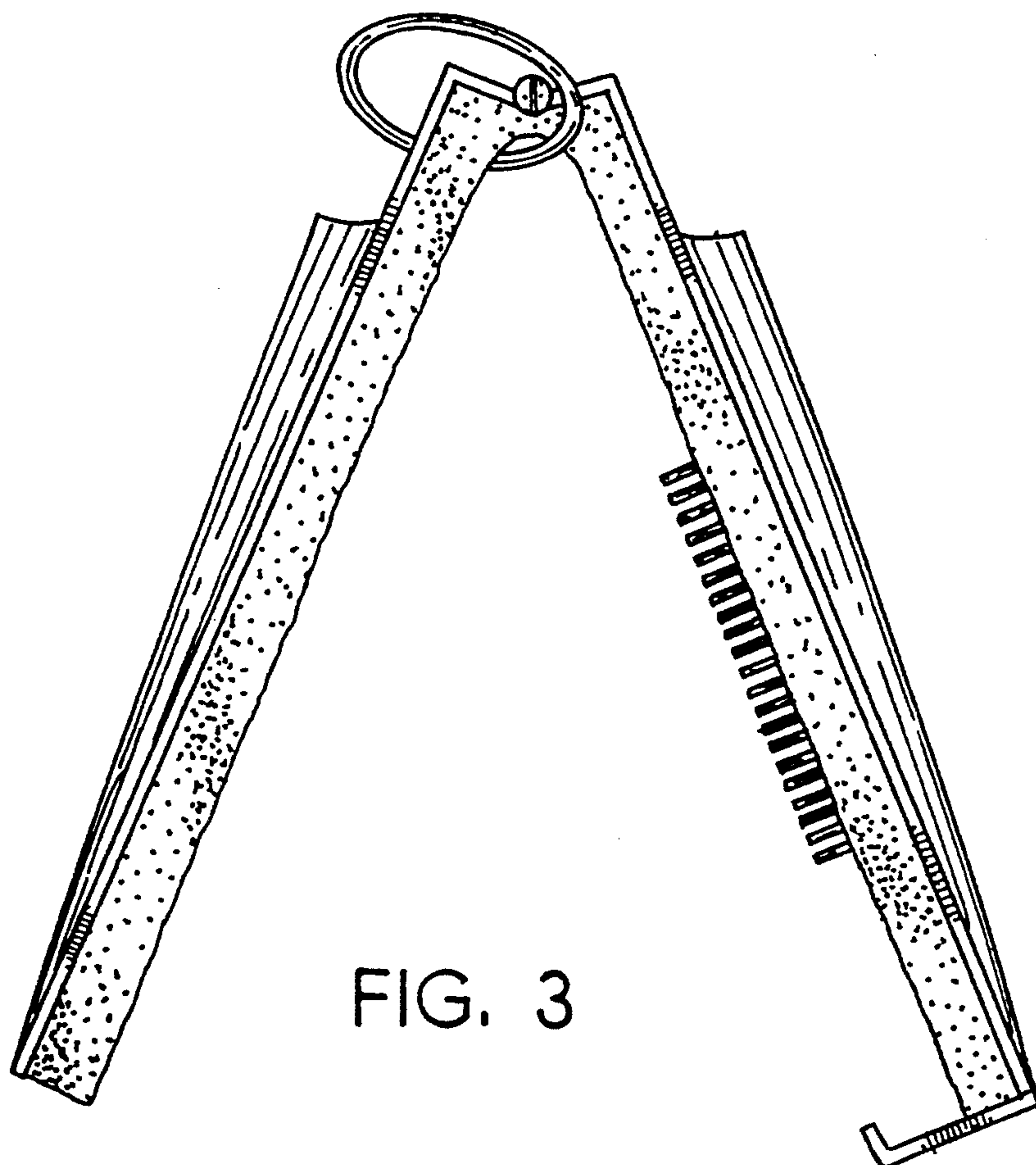


FIG. 3



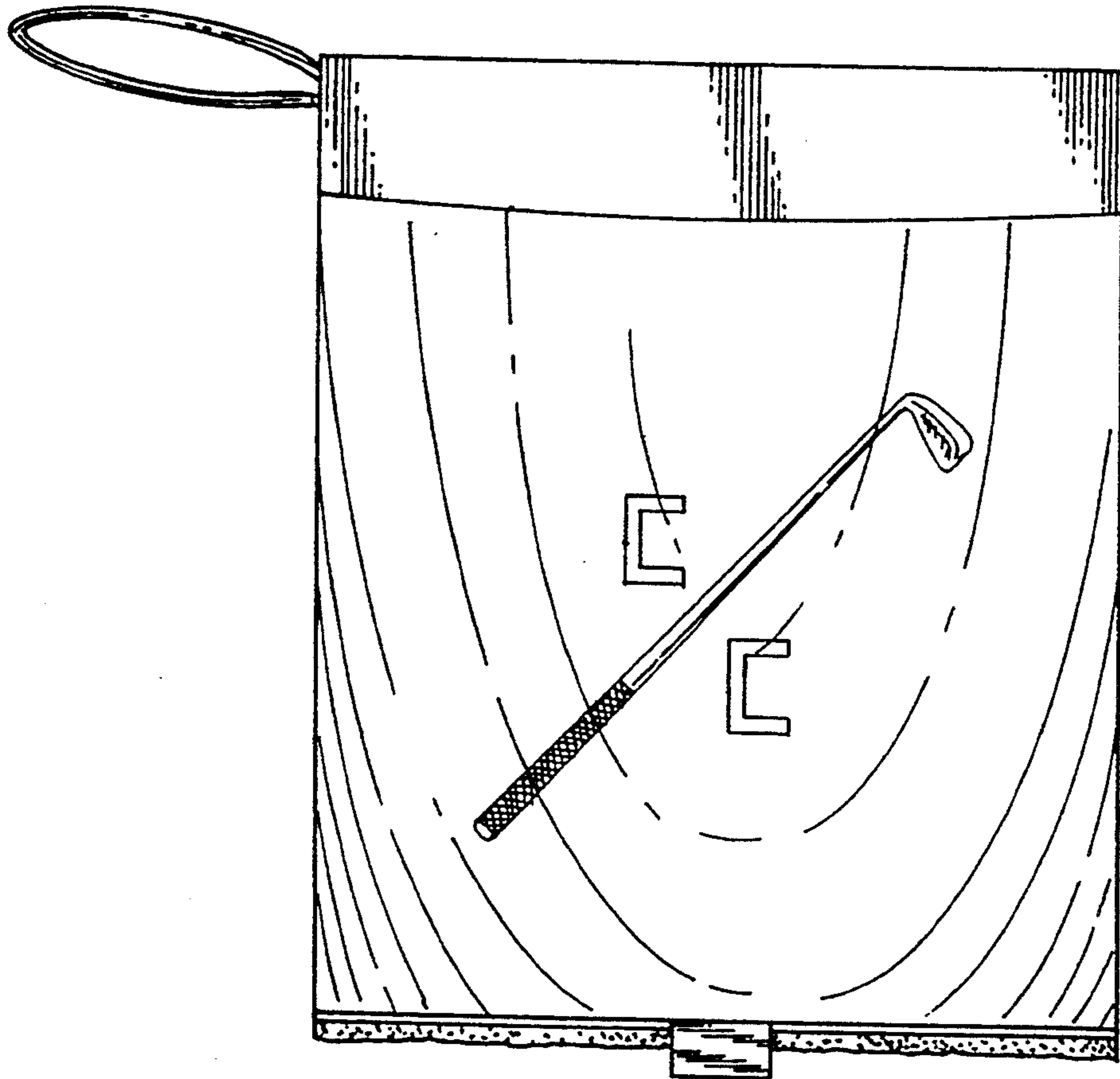


FIG. 4

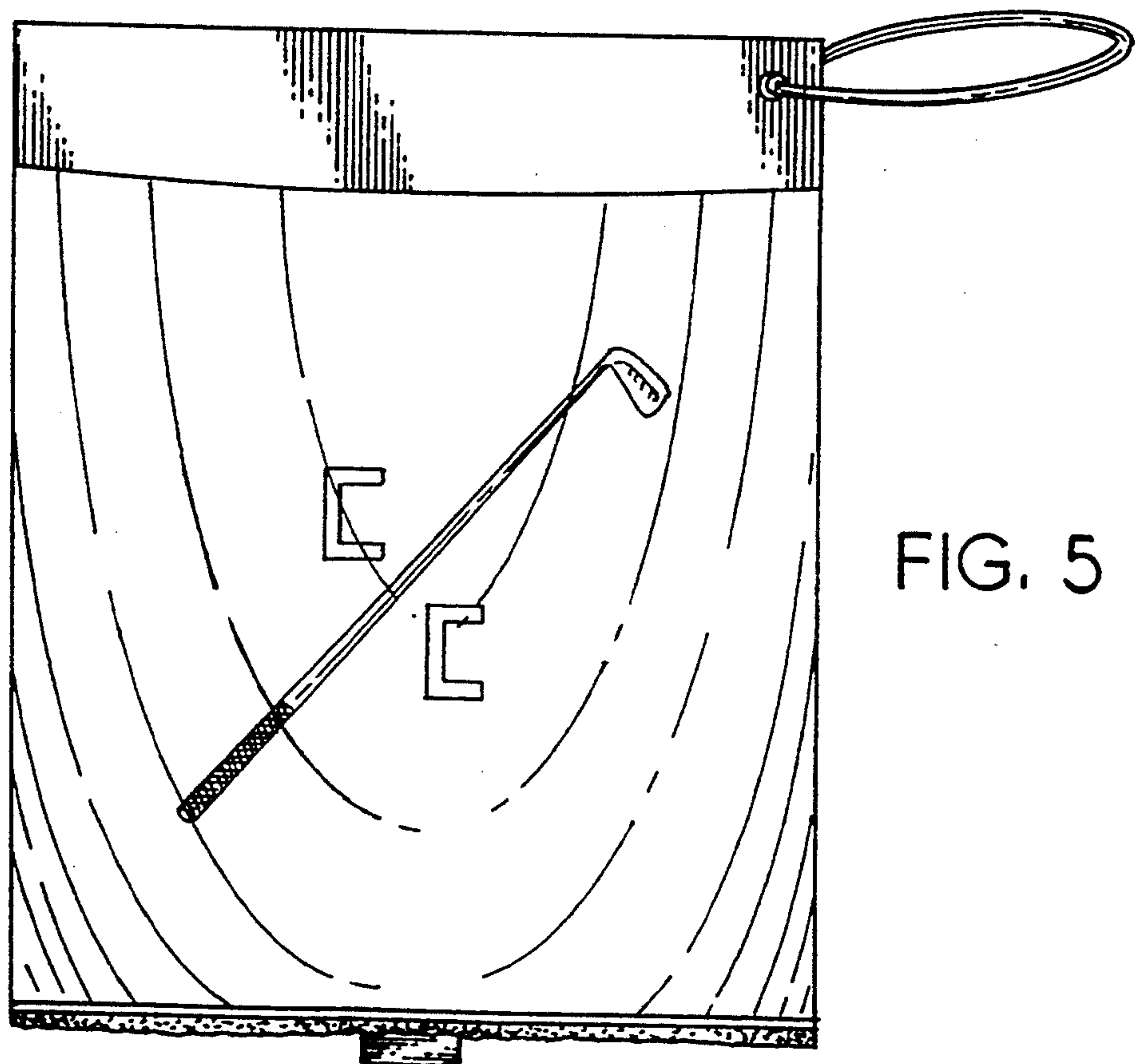


FIG. 5

FIG. 6

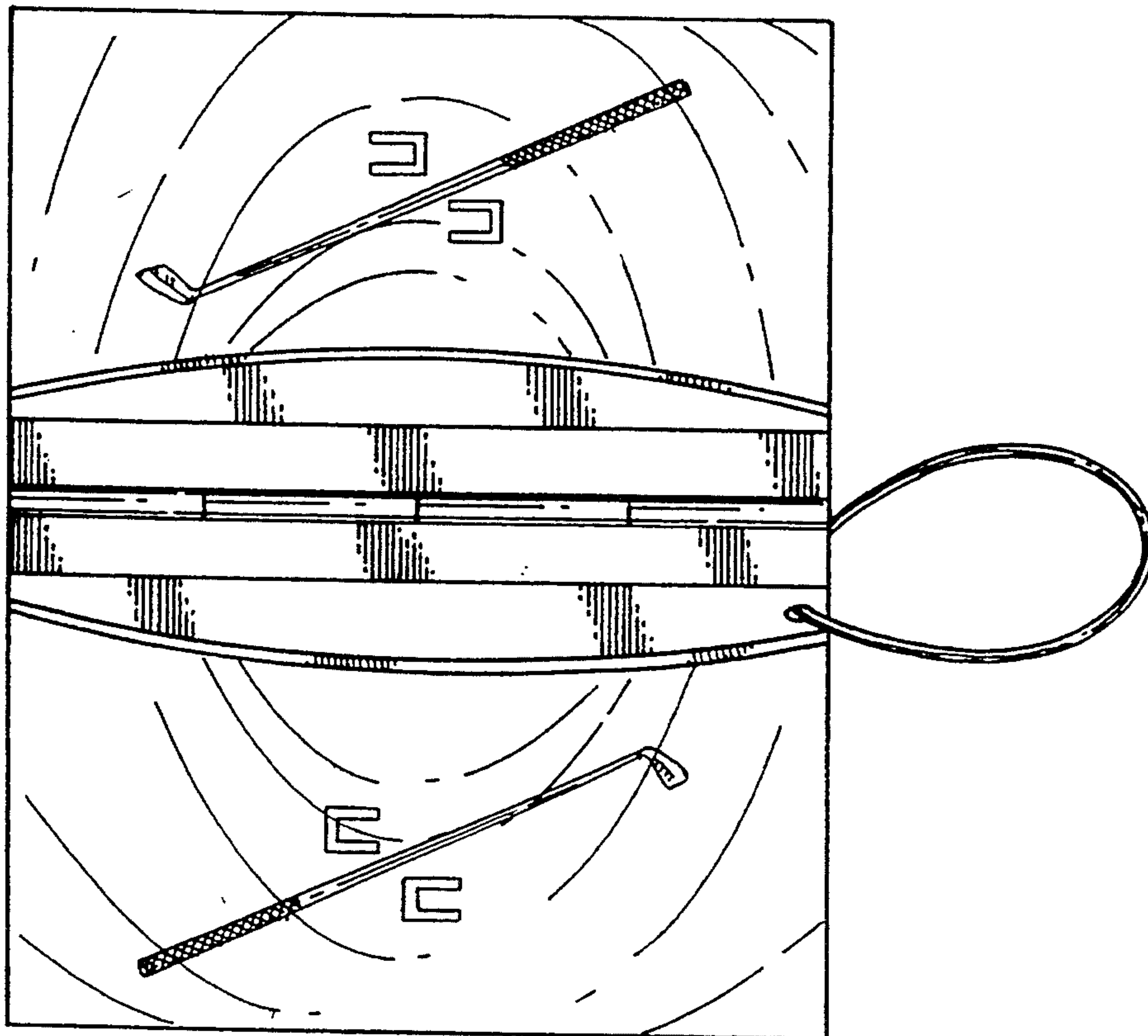


FIG. 7

