



US00D350216S

United States Patent [19]
Heaton

[11] **Patent Number: Des. 350,216**
[45] **Date of Patent: ** Aug. 30, 1994**

[54] **DISPOSABLE LIGHTER SUPPORTING CLIP**

4,953,770 9/1990 Bond, Sr. 224/252 X
4,955,518 9/1990 Parsons et al. 224/247
5,026,274 6/1991 Jacob .

[76] **Inventor: Nowell G. Heaton, 8659 Rosena,
Fontana, Calif. 92335**

[**] **Term: 14 Years**

Primary Examiner—Wallace R. Burke
Assistant Examiner—H. Baynham
Attorney, Agent, or Firm—Terry M. Gernstein

[21] **Appl. No.: 5,882**

[57] **CLAIM**

[22] **Filed: Mar. 15, 1993**

[52] **U.S. Cl. D27/144**

The ornamental design for a disposable lighter support-
ing clip, as shown and described.

[58] **Field of Search 224/247, 252; D27/144,
D27/172; D19/56**

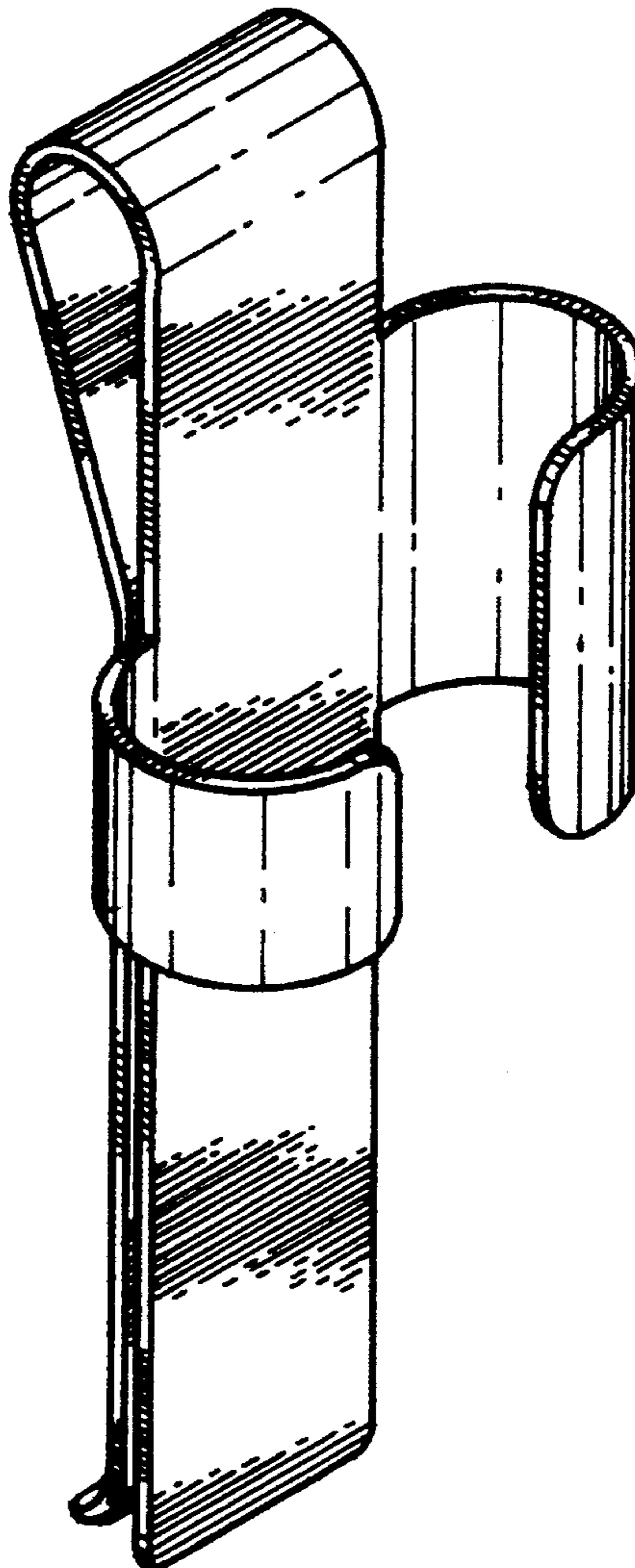
DESCRIPTION

[56] **References Cited**

FIG. 1 is a front, top and side perspective view of the
disposable lighter supporting clip embodying the design
of the present invention;
FIG. 2 is a side elevational view thereof;
FIG. 3 is an opposite side elevational view thereof;
FIG. 4 is a front elevational view thereof;
FIG. 5 is a rear elevational view thereof;
FIG. 6 is a top plan view thereof; and,
FIG. 7 is a bottom plan view thereof.

U.S. PATENT DOCUMENTS

D. 184,253	1/1959	Denison	D19/56
D. 261,775	11/1981	Valigura	D19/56
D. 303,159	8/1989	Heath	D27/175 X
1,464,659	8/1923	Keely	224/247
4,363,432	12/1982	Warthen	.	
4,745,661	5/1988	Wainscott	.	



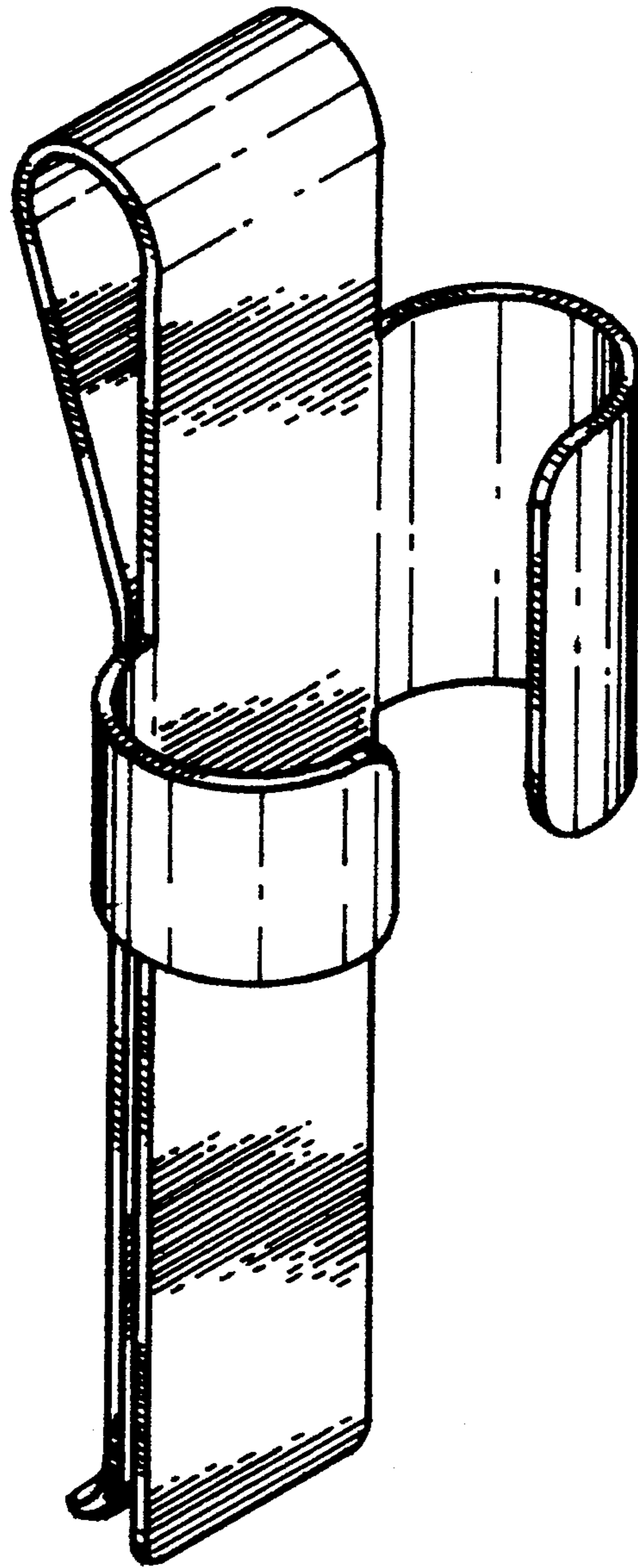


FIG. 1

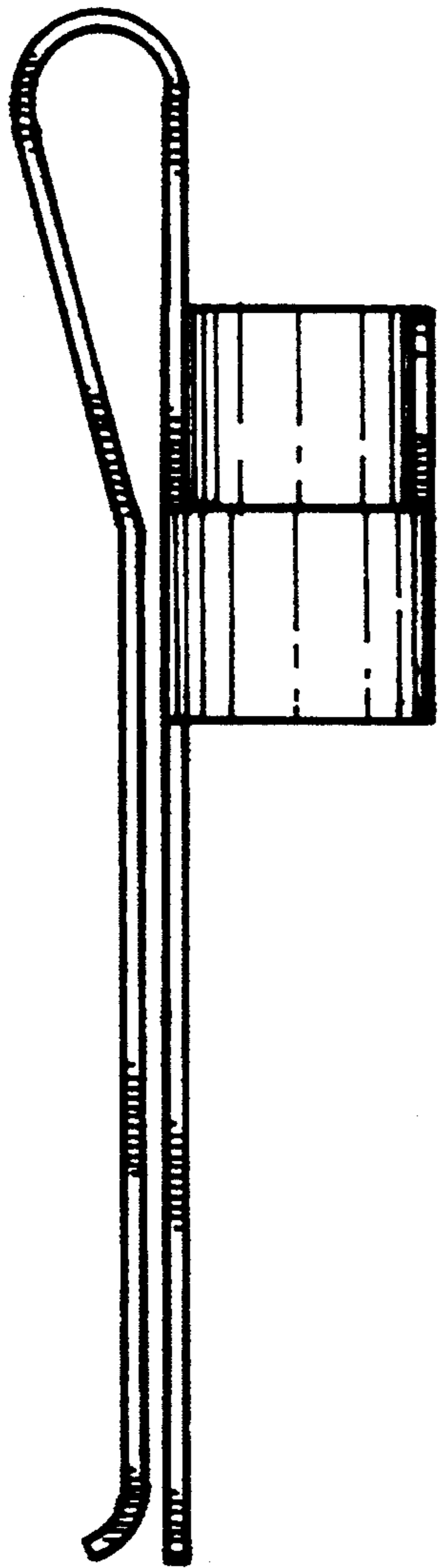


FIG. 2

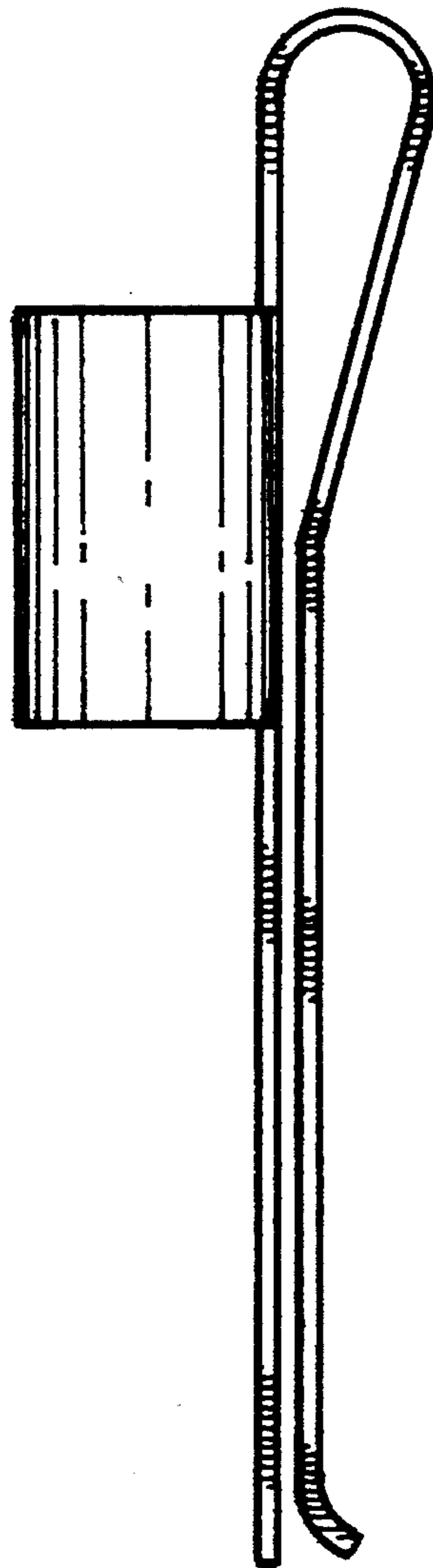


FIG. 3

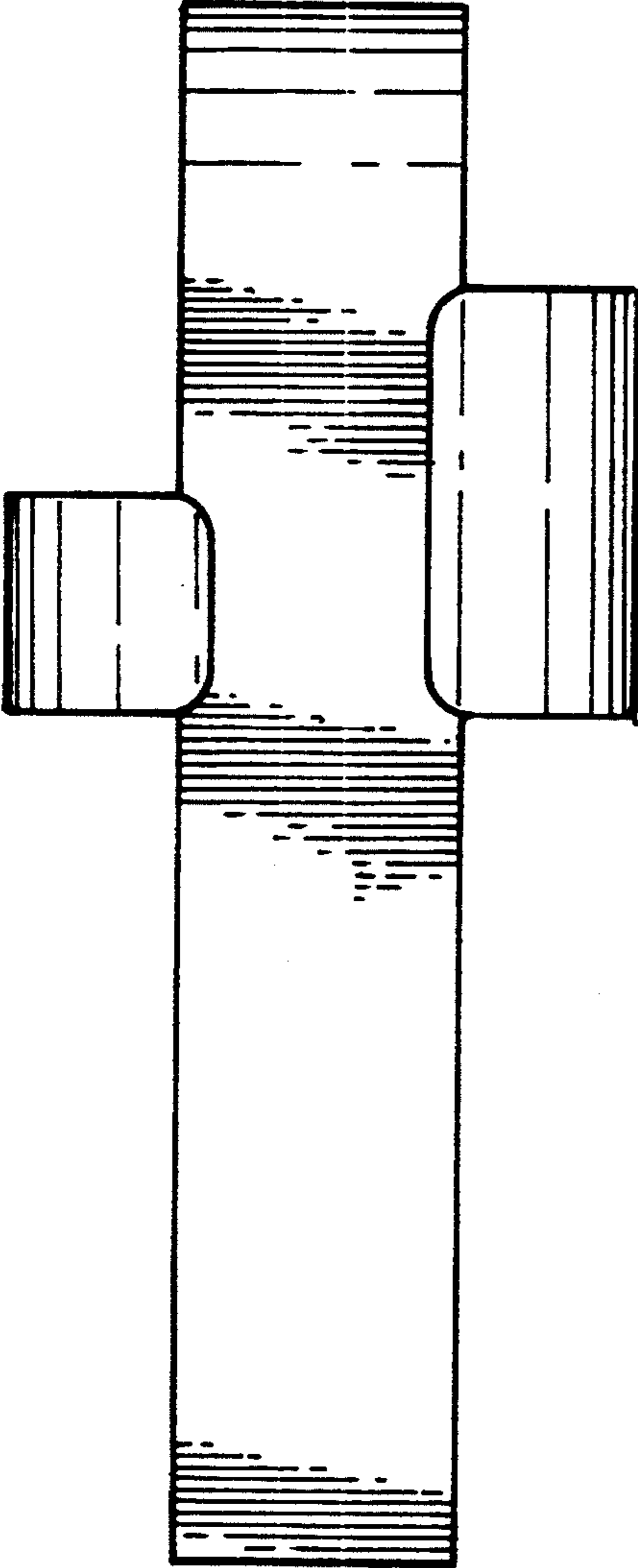


FIG. 4

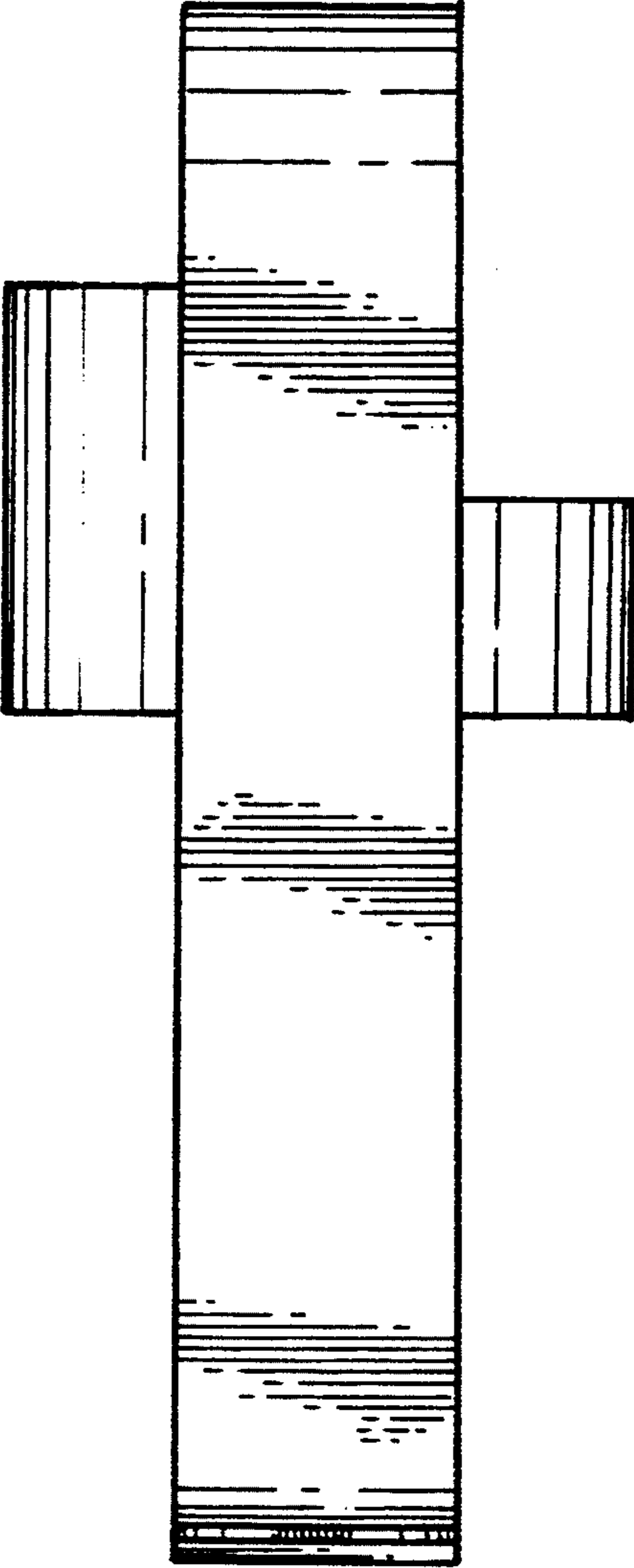


FIG. 5

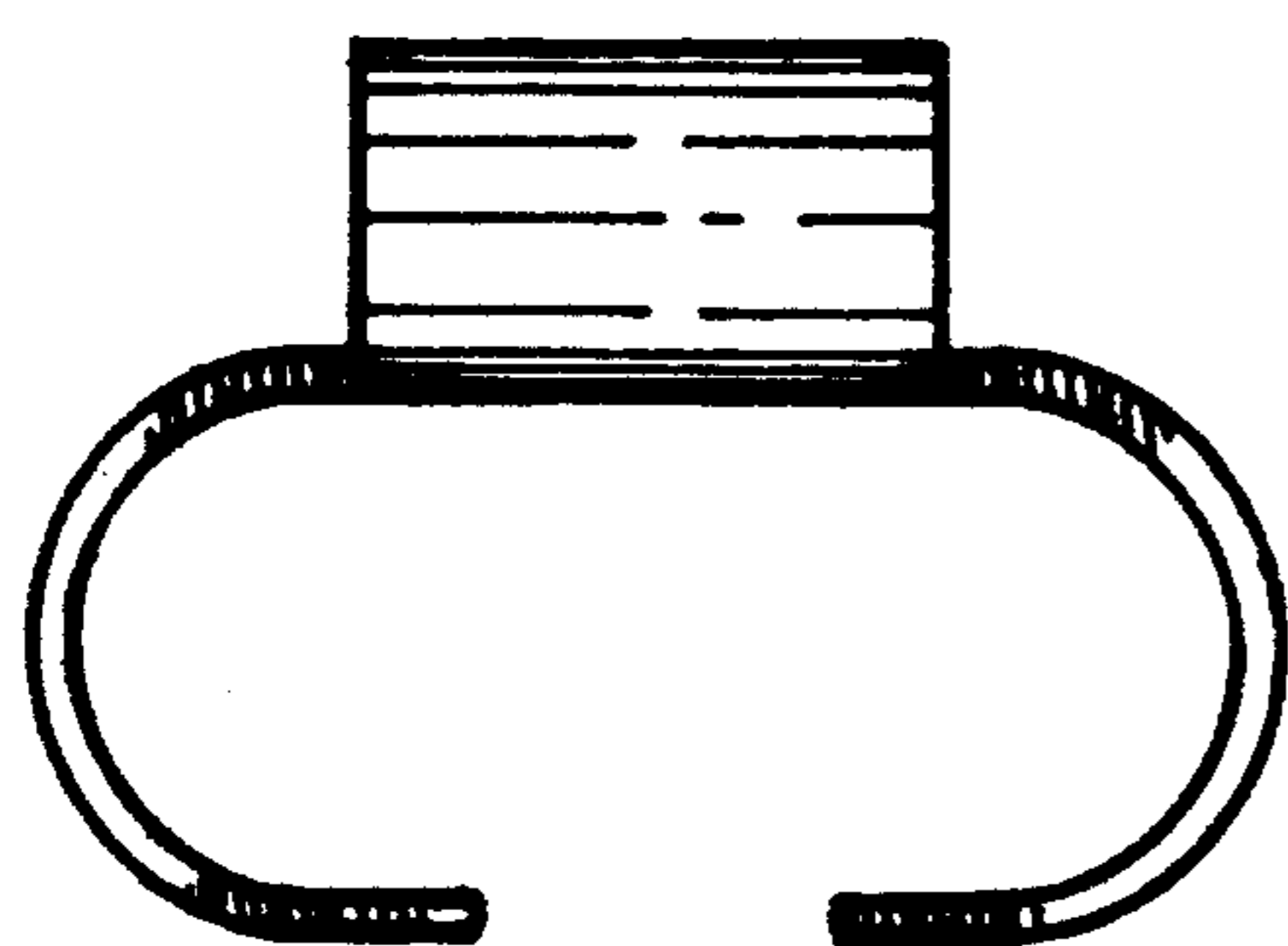


FIG. 6

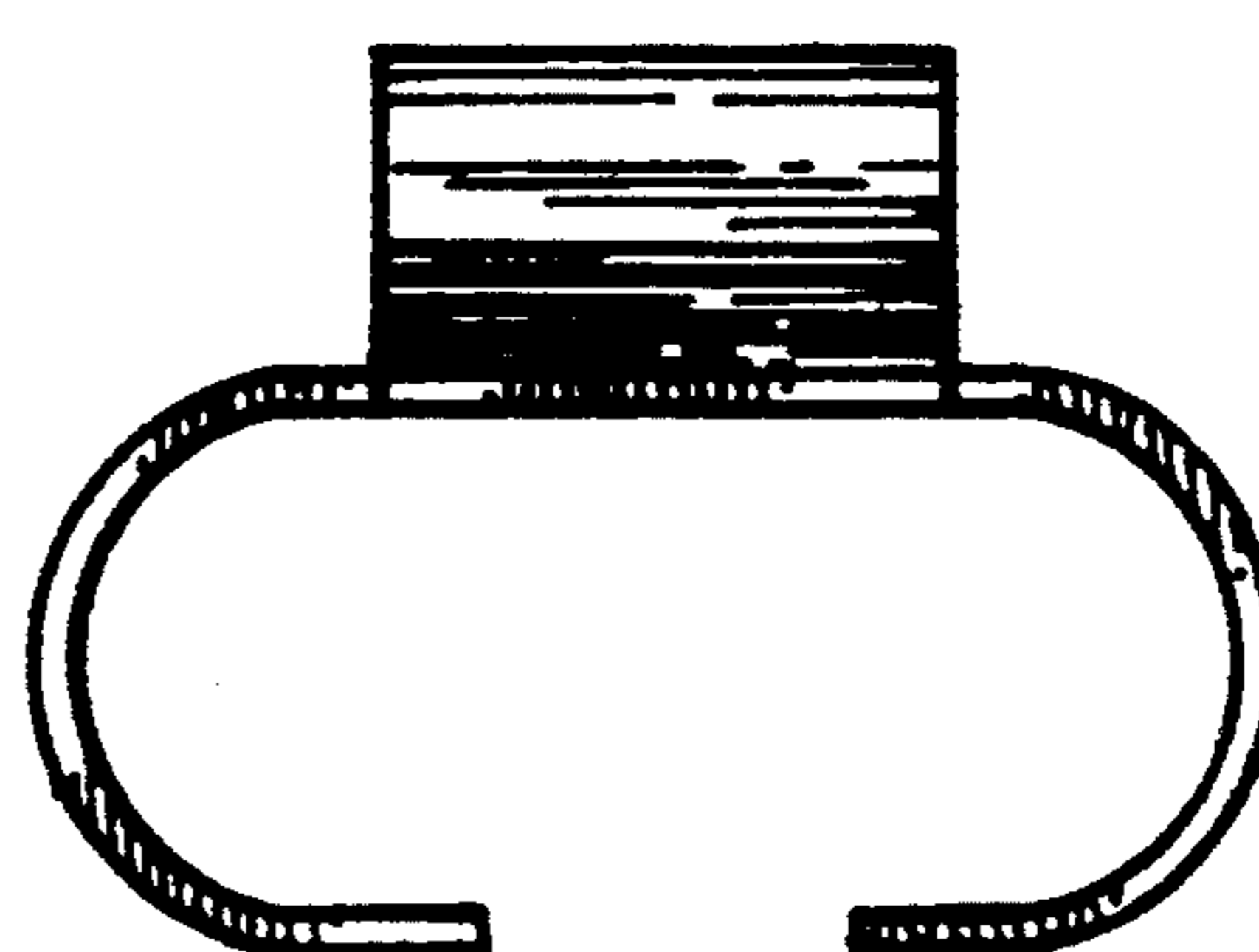


FIG. 7