



US00D350214S

United States Patent [19]

[11] Patent Number: **Des. 350,214**

Kramer

[45] Date of Patent: **** Aug. 30, 1994**

[54] LAMPSHADE

[76] Inventor: **Barry L. Kramer**, 6180 S. St. Andrews Pl., Los Angeles, Calif. 90047

[**] Term: **14 Years**

[21] Appl. No.: **12,698**

[22] Filed: **Sep. 7, 1993**

Related U.S. Application Data

[62] Division of Ser. No. 902,058, Jun. 22, 1992.

[52] U.S. Cl. **D26/128**

[58] Field of Search 362/410-414, 362/267, 285, 418, 427; D26/93, 102-112, 63, 65, 128-136, 72, 81, 83, 85, 87

[56] References Cited

U.S. PATENT DOCUMENTS

- D. 321,405 11/1991 Shwisha D26/65
- D. 339,206 9/1993 Kramer D26/102

OTHER PUBLICATIONS

Hammacher Schlemmer Holiday Catalog, ©1990, p. 68, Halogen Desk Lamp.
 Home Lighting & Accessories, Oct. 1989, p. 63, Ceiling Lamp, Left-Center.
 Stilnovo Lighting Catalog, 1984, p. 17, Tracklight Reflector #60040/8/9.

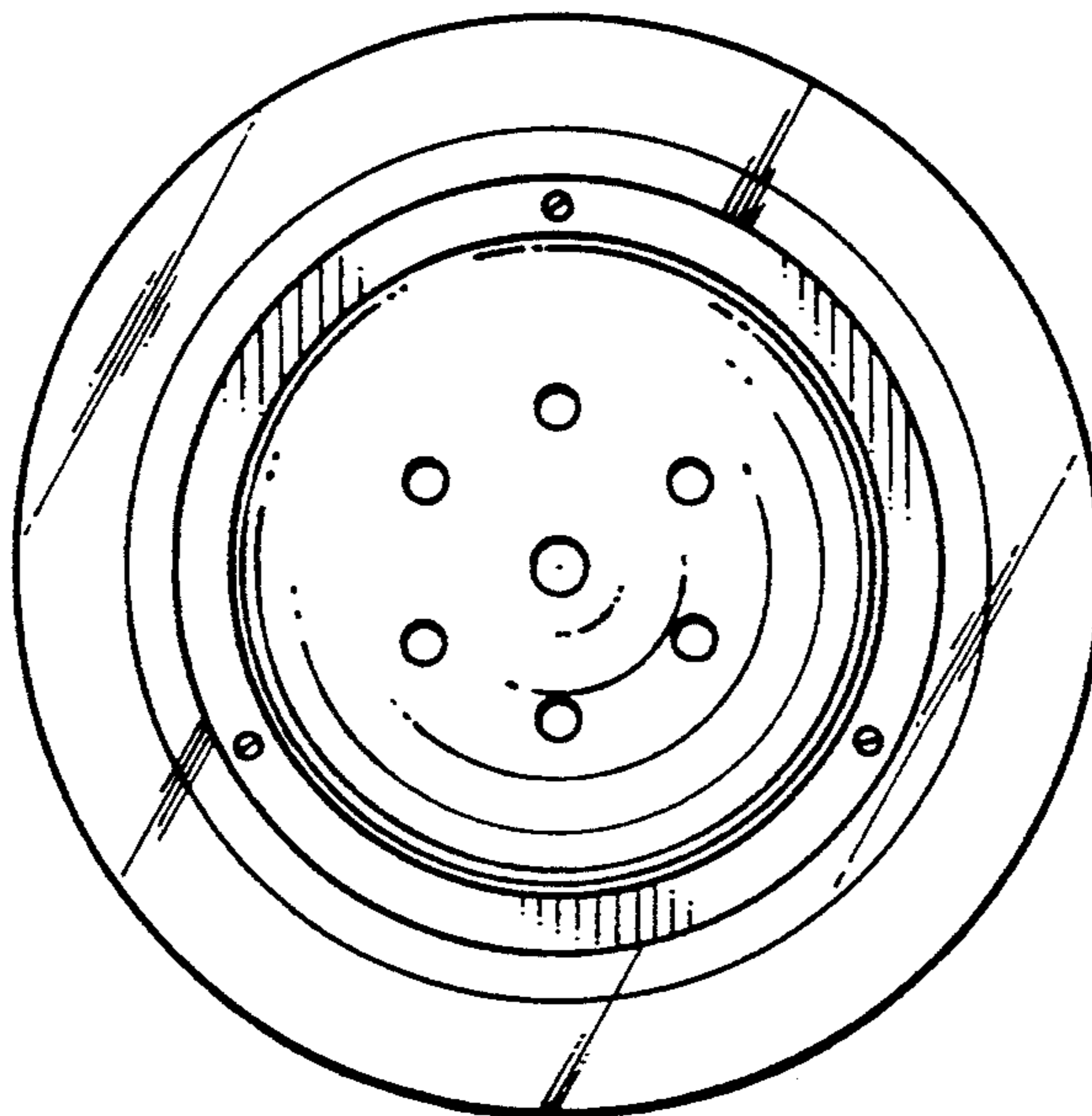
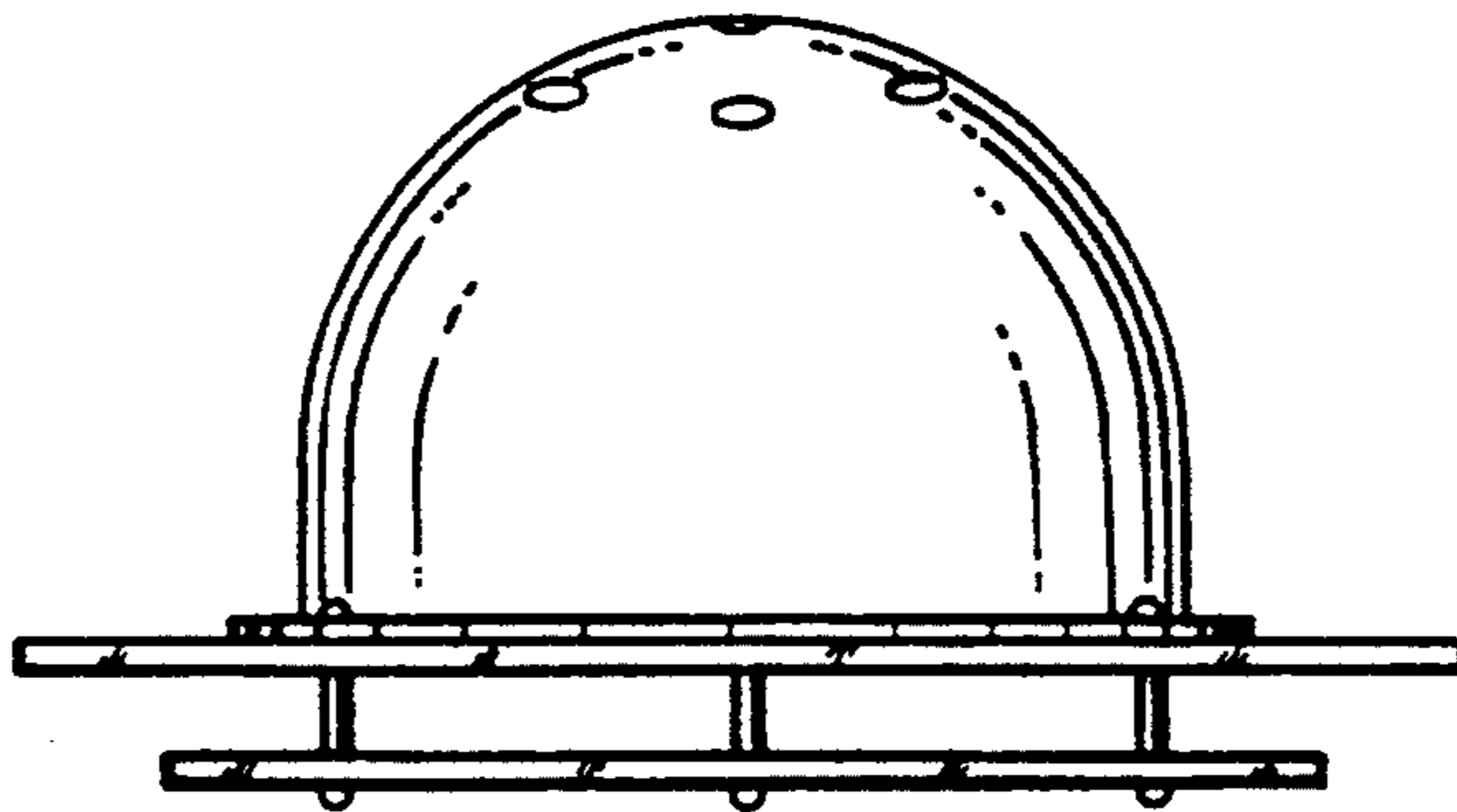
Primary Examiner—Susan J. Lucas
Attorney, Agent, or Firm—Timothy T. Tyson

[57] CLAIM

The ornamental design for a lampshade, as shown and described.

DESCRIPTION

FIG. 1 is a front elevational view of a lampshade showing my new design;
 FIG. 2 is a left side elevational view, the right side elevational view being the mirror image thereof;
 FIG. 3 is a top plan view thereof;
 FIG. 4 is a rear elevational view thereof; and,
 FIG. 5 is a bottom plan view thereof.



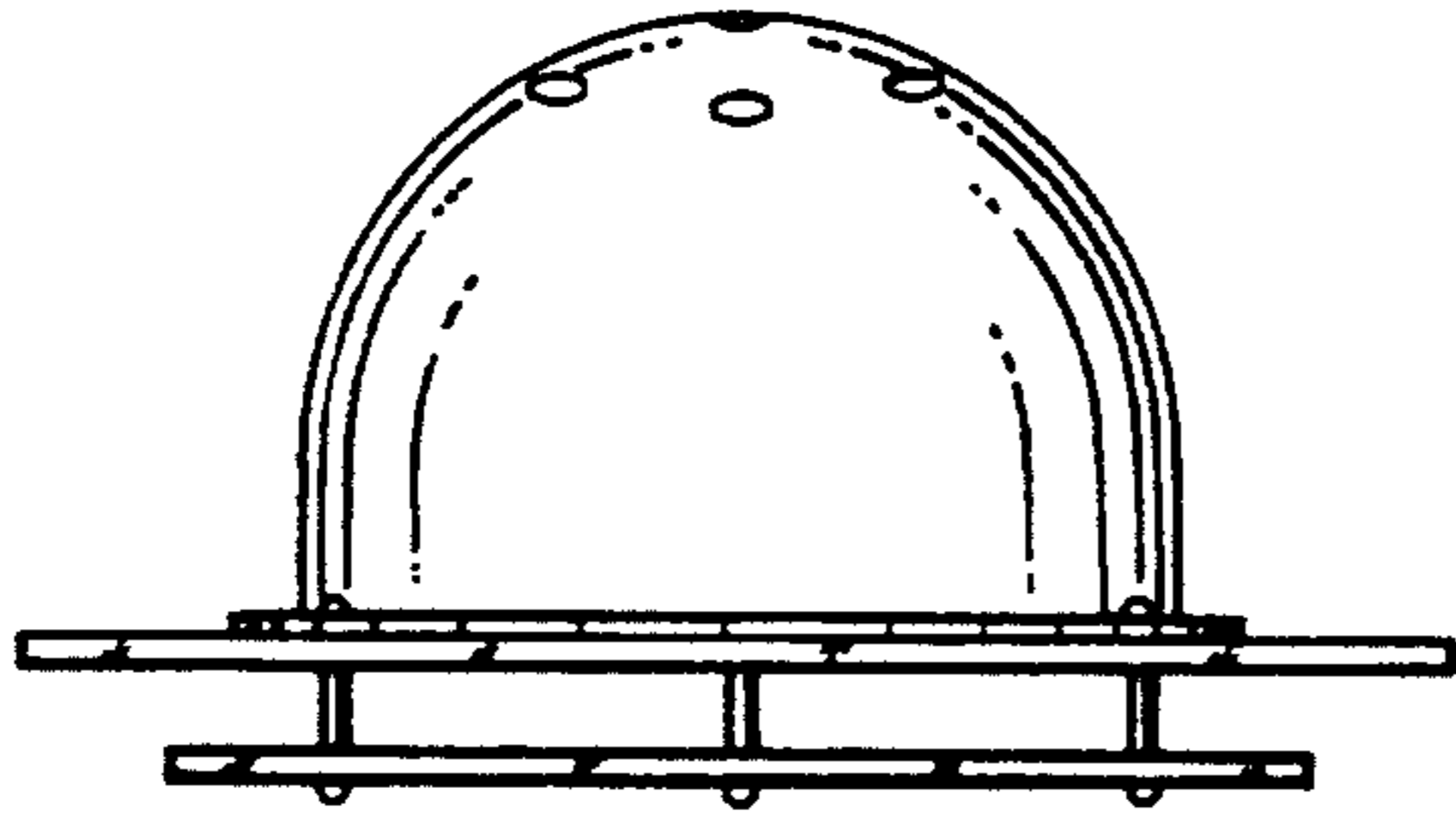


FIG. 1

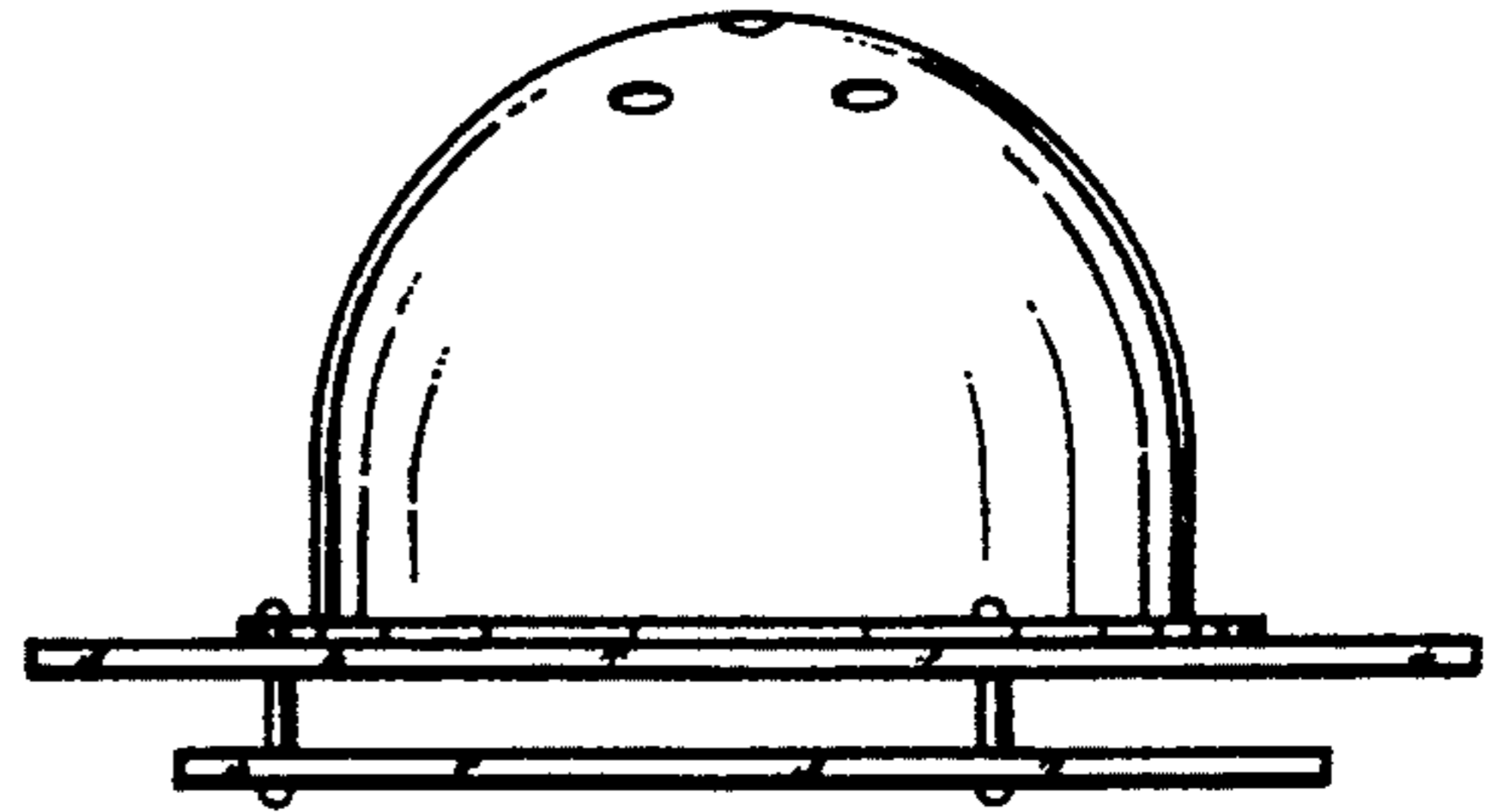


FIG. 2

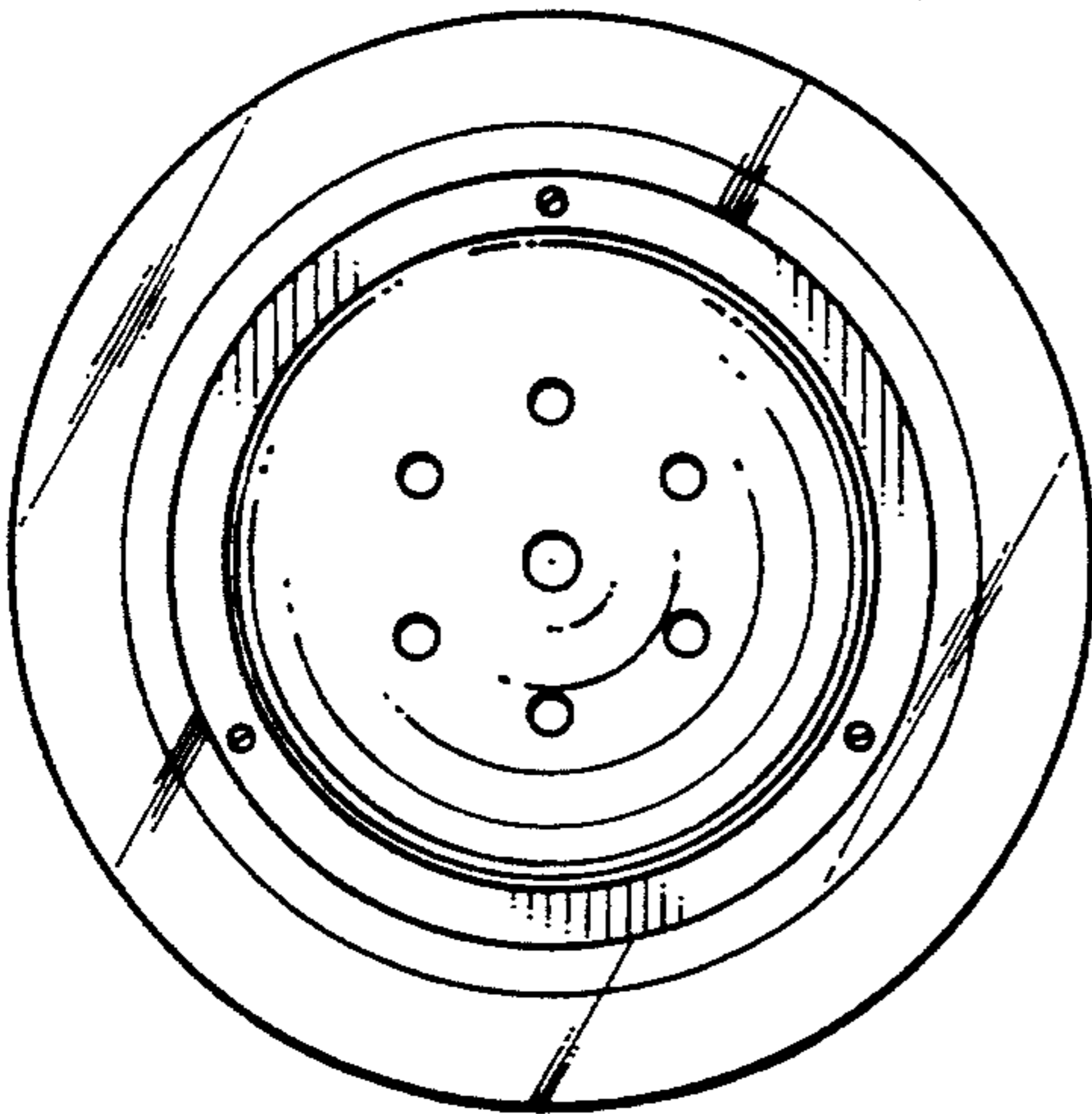


FIG. 3

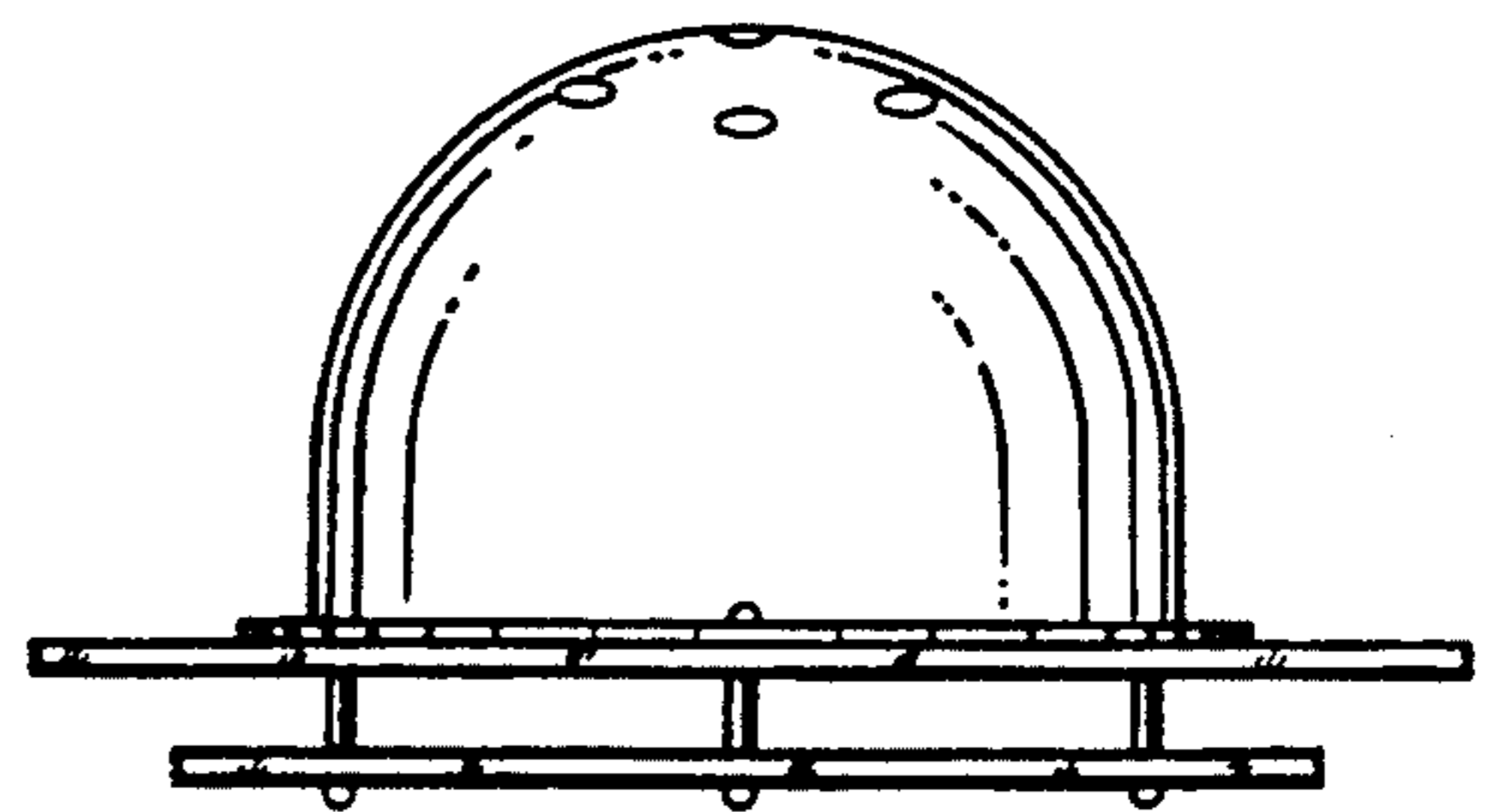


FIG. 4

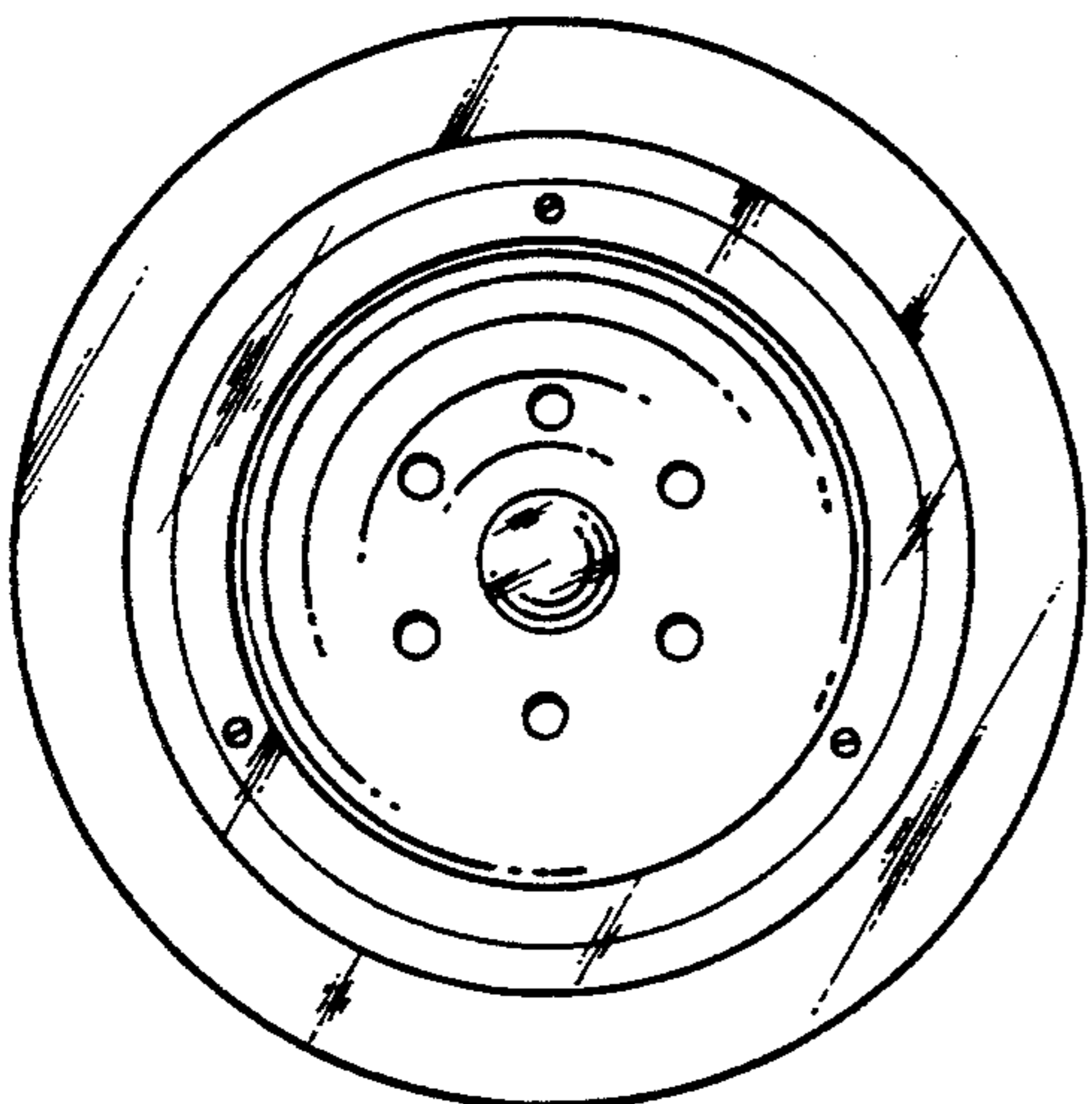


FIG. 5