



US00D350212S

United States Patent [19]

[11] Patent Number: **Des. 350,212**

Yuen

[45] Date of Patent: **** Aug. 30, 1994**

[54] **ADJUSTABLE DESK LAMP**

2,489,650 11/1949 Landrum D26/63 X

[75] Inventor: **Se K. Yuen, Kowloon, Hong Kong**

Primary Examiner—Susan J. Lucas
Attorney, Agent, or Firm—Darby & Darby

[73] Assignee: **John Manufacturing Limited, Kowloon, Hong Kong**

[**] Term: **14 Years**

[57] **CLAIM**

[21] Appl. No.: **8,059**

The ornamental design for an adjustable desk lamp, as shown and described.

[22] Filed: **May 6, 1993**

[30] **Foreign Application Priority Data**

Nov. 25, 1992 [GB] United Kingdom 2027393

[52] U.S. Cl. **D26/65**

[58] Field of Search 362/413, 418, 419, 427, 362/269, 277; D26/60, 61, 63, 64, 65

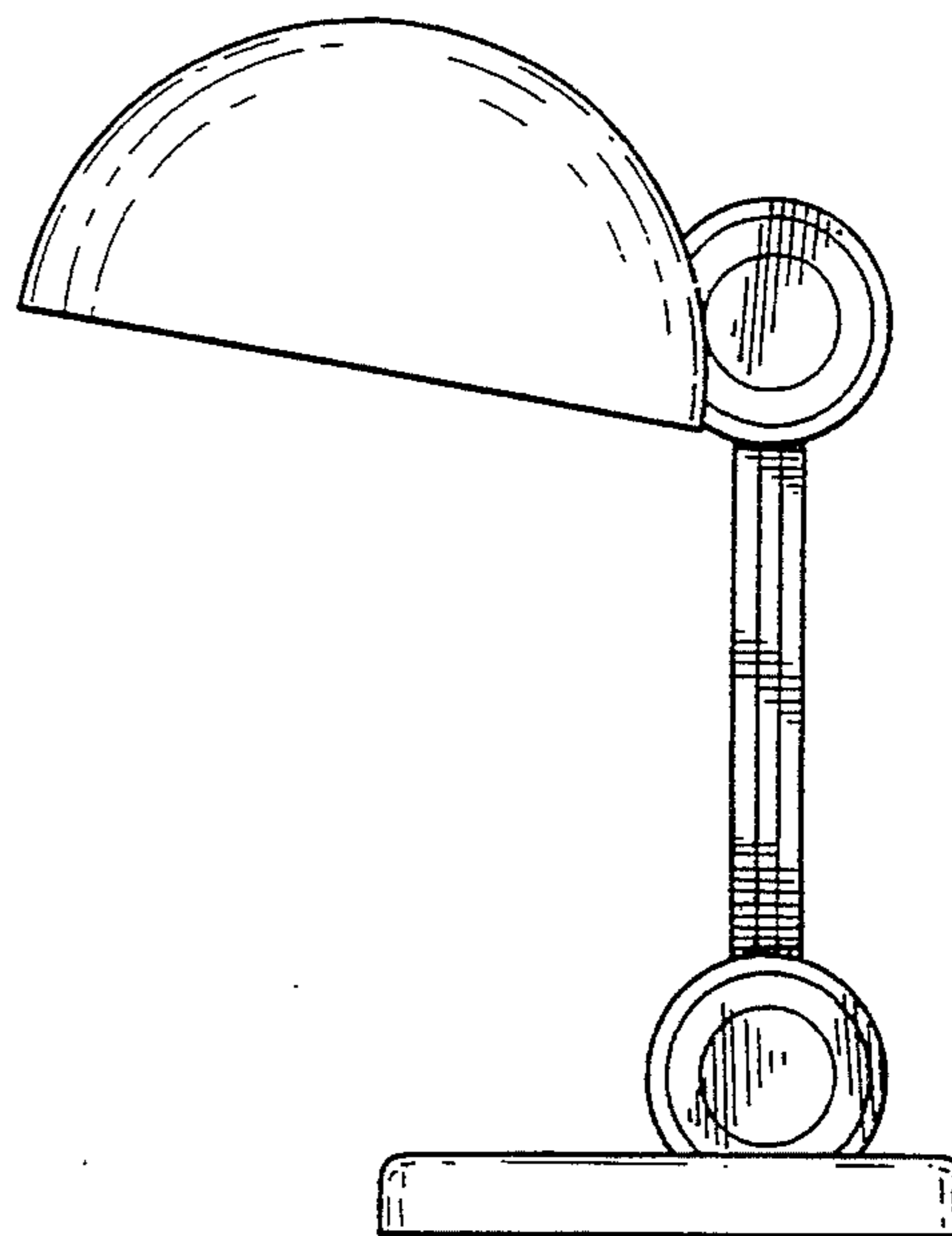
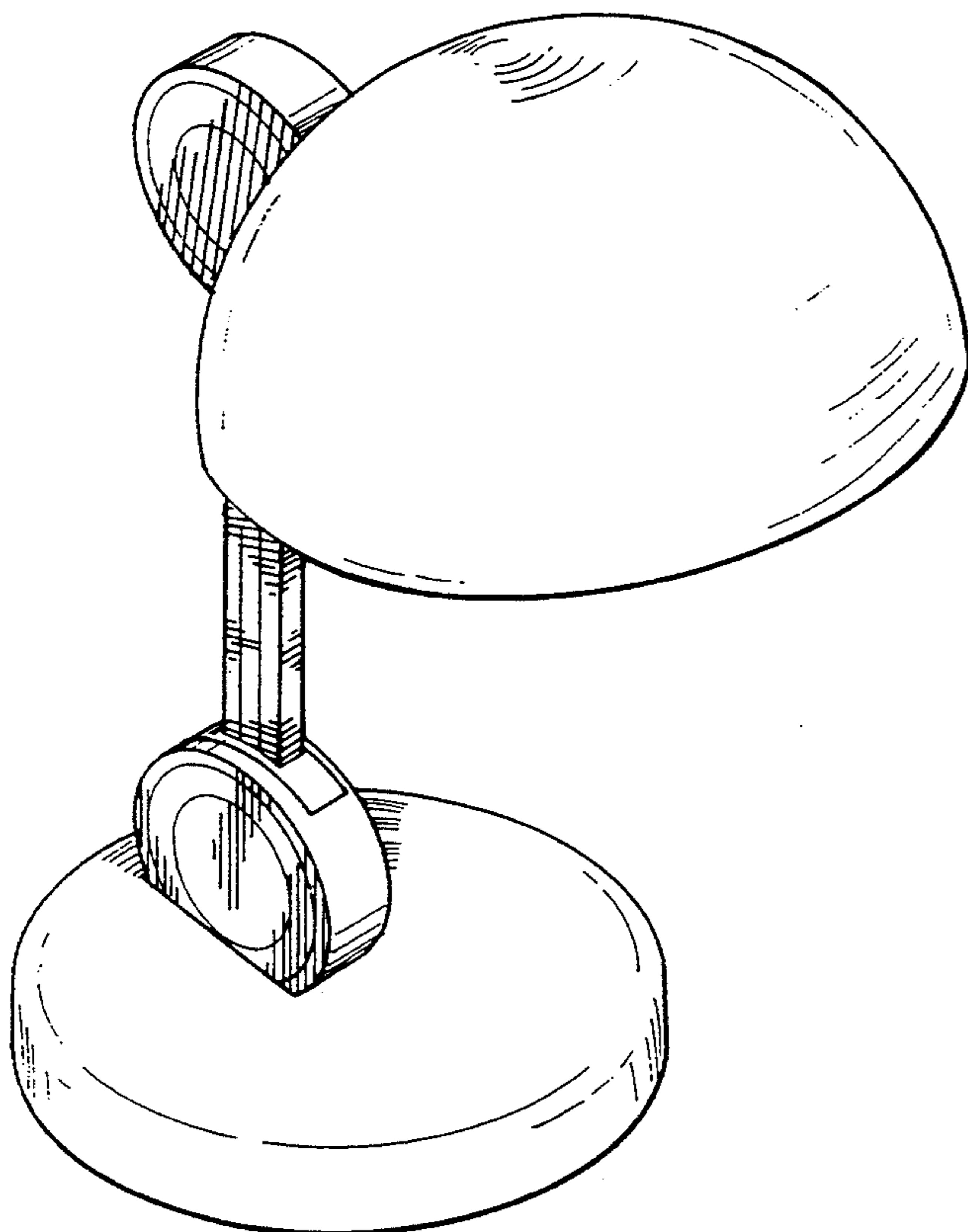
[56] **References Cited**

U.S. PATENT DOCUMENTS

D. 104,401 5/1937 Kanter D26/63

DESCRIPTION

FIG. 1 is a perspective view as seen from the left of an adjustable desk lamp showing my new design; FIG. 2 is a top plan view thereof; FIG. 3 is a front elevational view thereof; FIG. 4 is a right side elevational view thereof; FIG. 5 is a rear elevational view thereof; FIG. 6 is a left side elevational view thereof; and, FIG. 7 is a bottom plan view thereof.



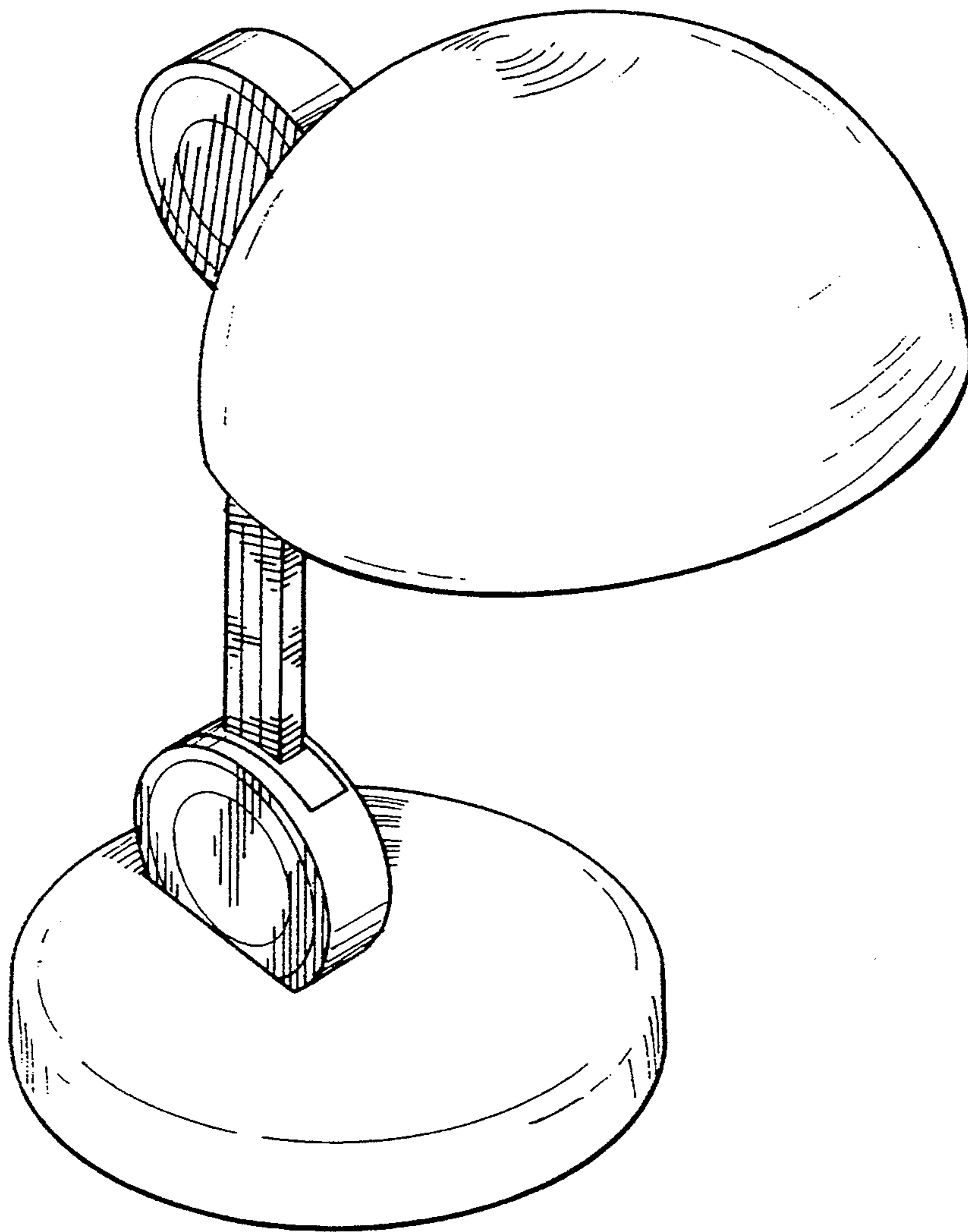


FIG. 1

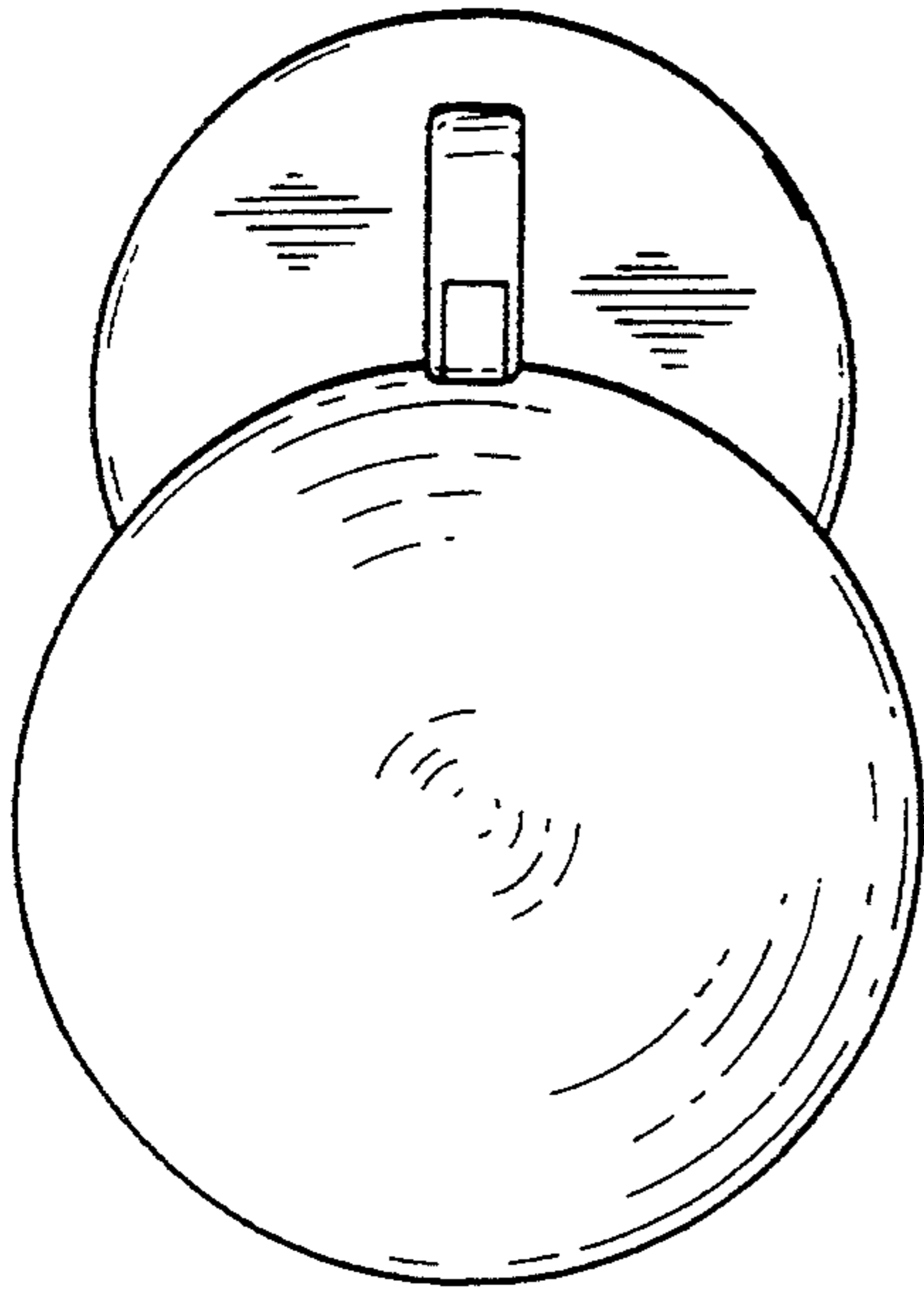


FIG. 2

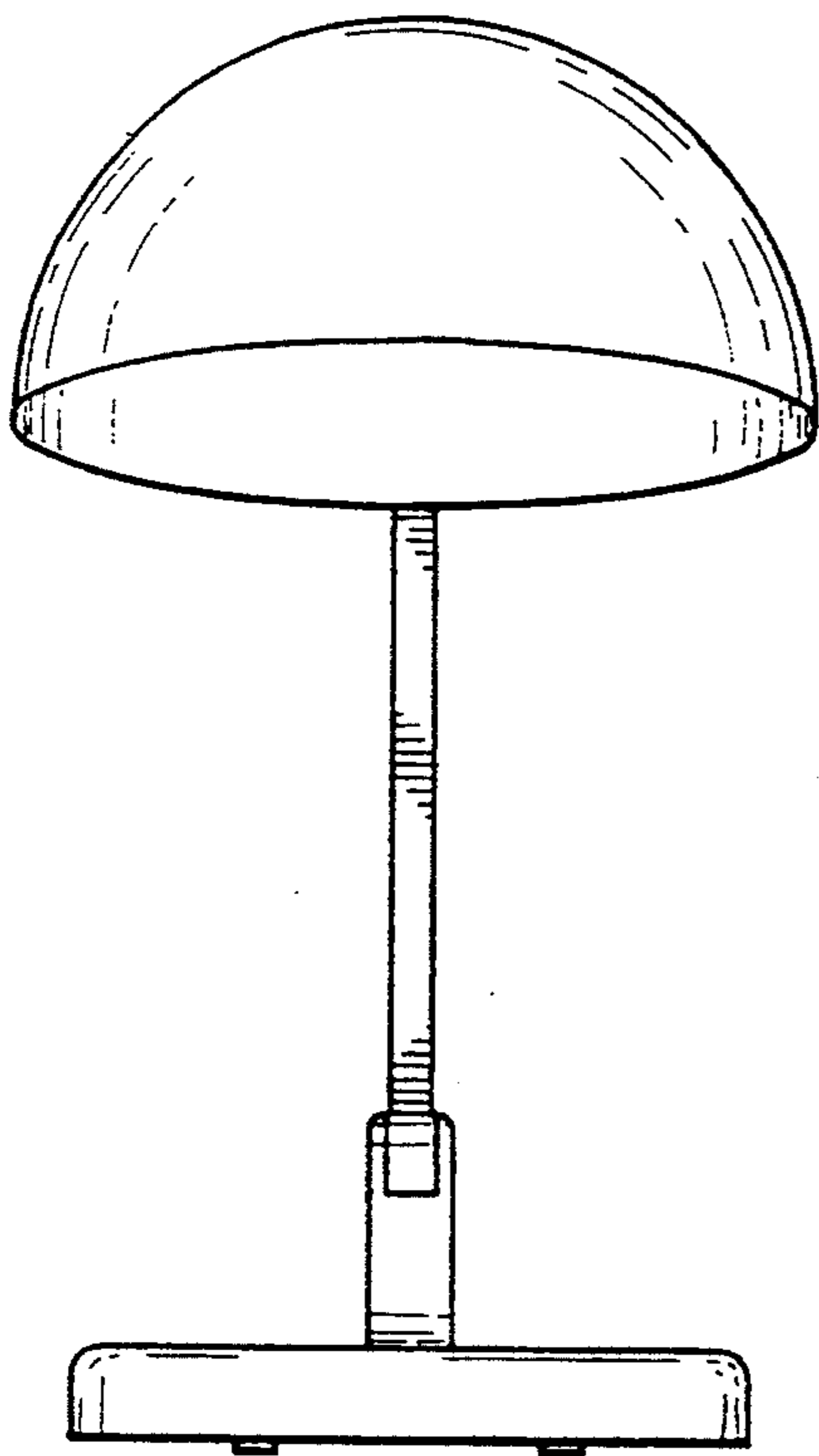


FIG. 3

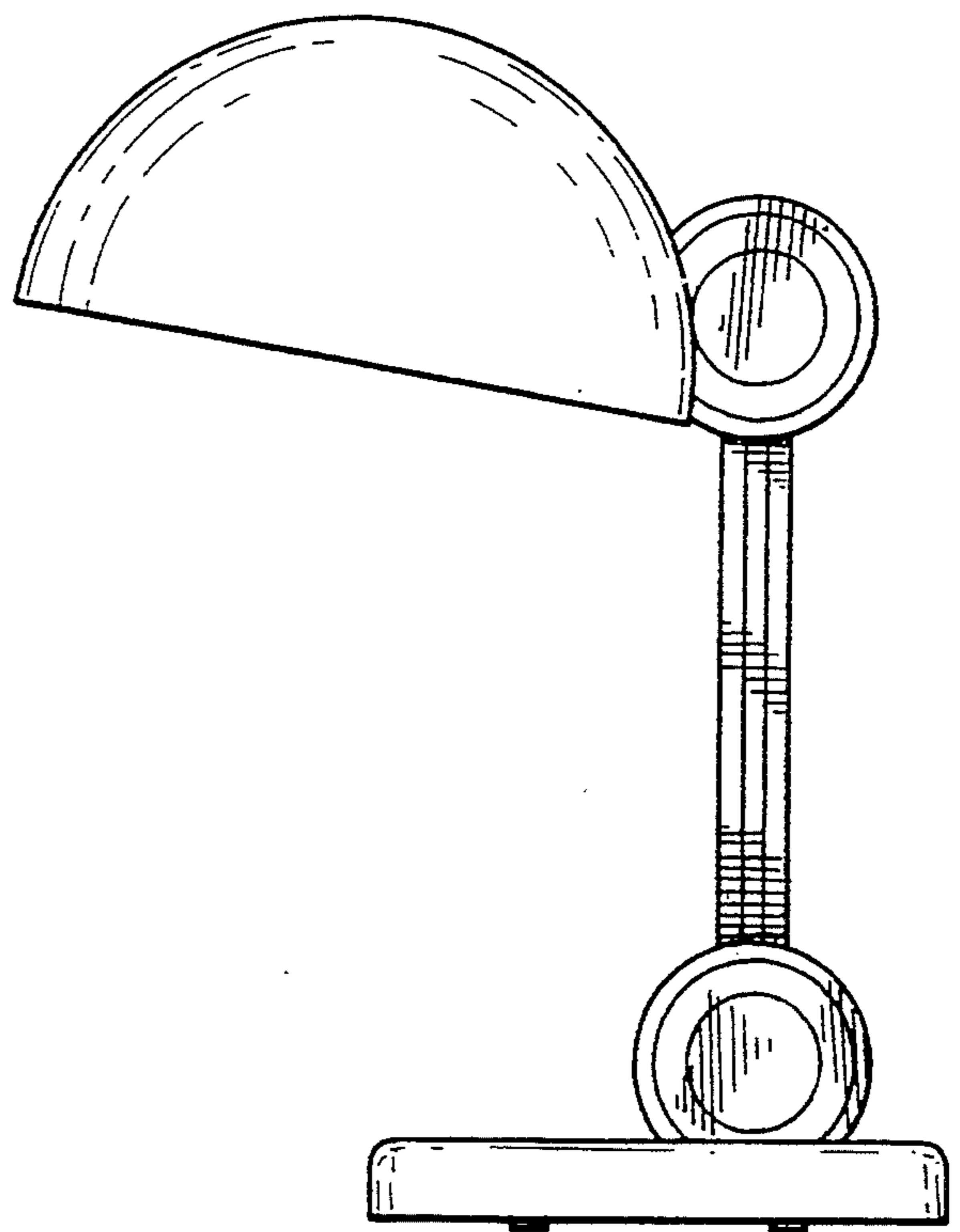


FIG. 4

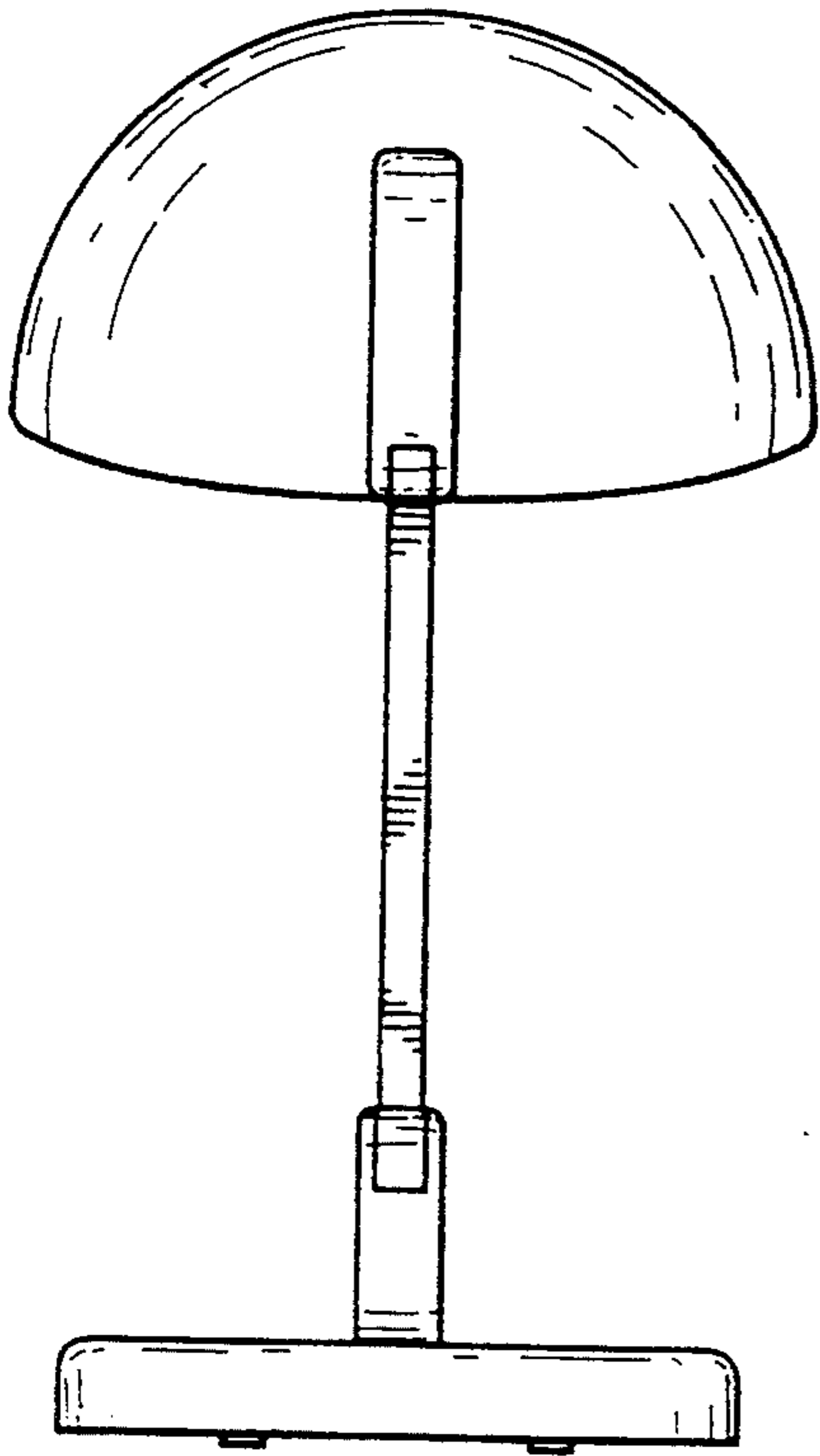


FIG. 5

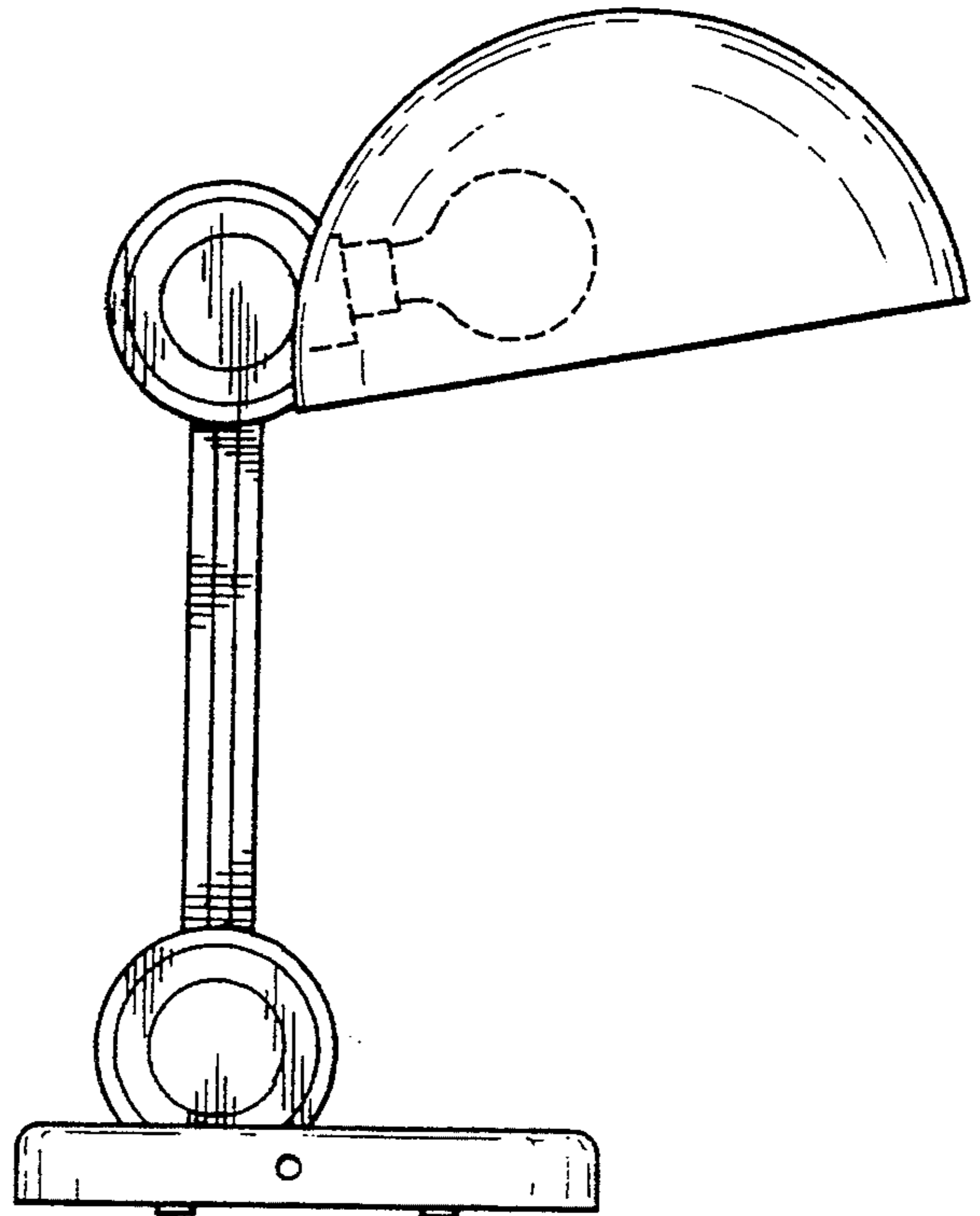


FIG. 6

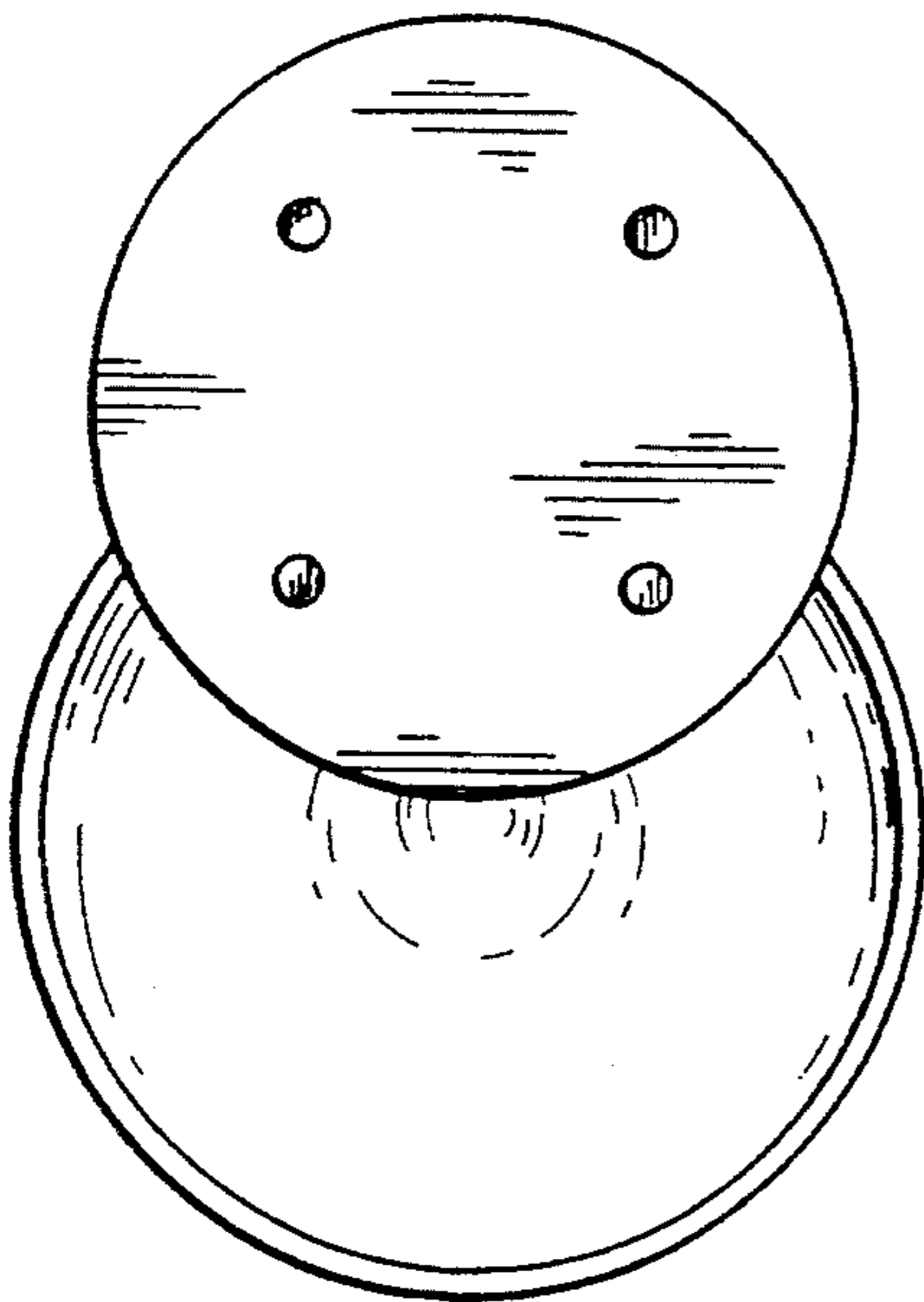


FIG. 7