



US00D350211S

United States Patent [19]

[11] Patent Number: **Des. 350,211**

Clasby

[45] Date of Patent: **** Aug. 30, 1994**

[54] **CLAMP-ON ADJUSTABLE LIGHT FOR A BARBECUE GRILL**

[56] **References Cited**

U.S. PATENT DOCUMENTS

D. 290,519 6/1987 Kuo D26/60
5,101,333 3/1992 Glassford 362/413

[76] Inventor: **Brad L. Clasby**, 3604 Stonebrook Farms Ct., Greensboro, N.C. 27406

Primary Examiner—Susan J. Lucas

[**] Term: **14 Years**

[57] **CLAIM**

The ornamental design for a clamp-on adjustable light for a barbecue grill, as shown and described.

[21] Appl. No.: **945,357**

DESCRIPTION

[22] Filed: **Sep. 14, 1992**

FIG. 1 is a front elevational view of the clamp-on adjustable light for a barbecue grill showing my new design;

[52] U.S. Cl. **D26/60; D26/94; D26/126**

FIG. 2 is a rear elevational view thereof;

[58] Field of Search 362/269, 285, 287, 410, 362/413, 414, 418, 419, 427, 396, 806; D26/60-66, 94

FIG. 3 is a left side elevational view thereof;

FIG. 4 is a right side elevational view thereof;

FIG. 5 is a top plan view thereof; and,

FIG. 6 is a bottom plan view thereof.

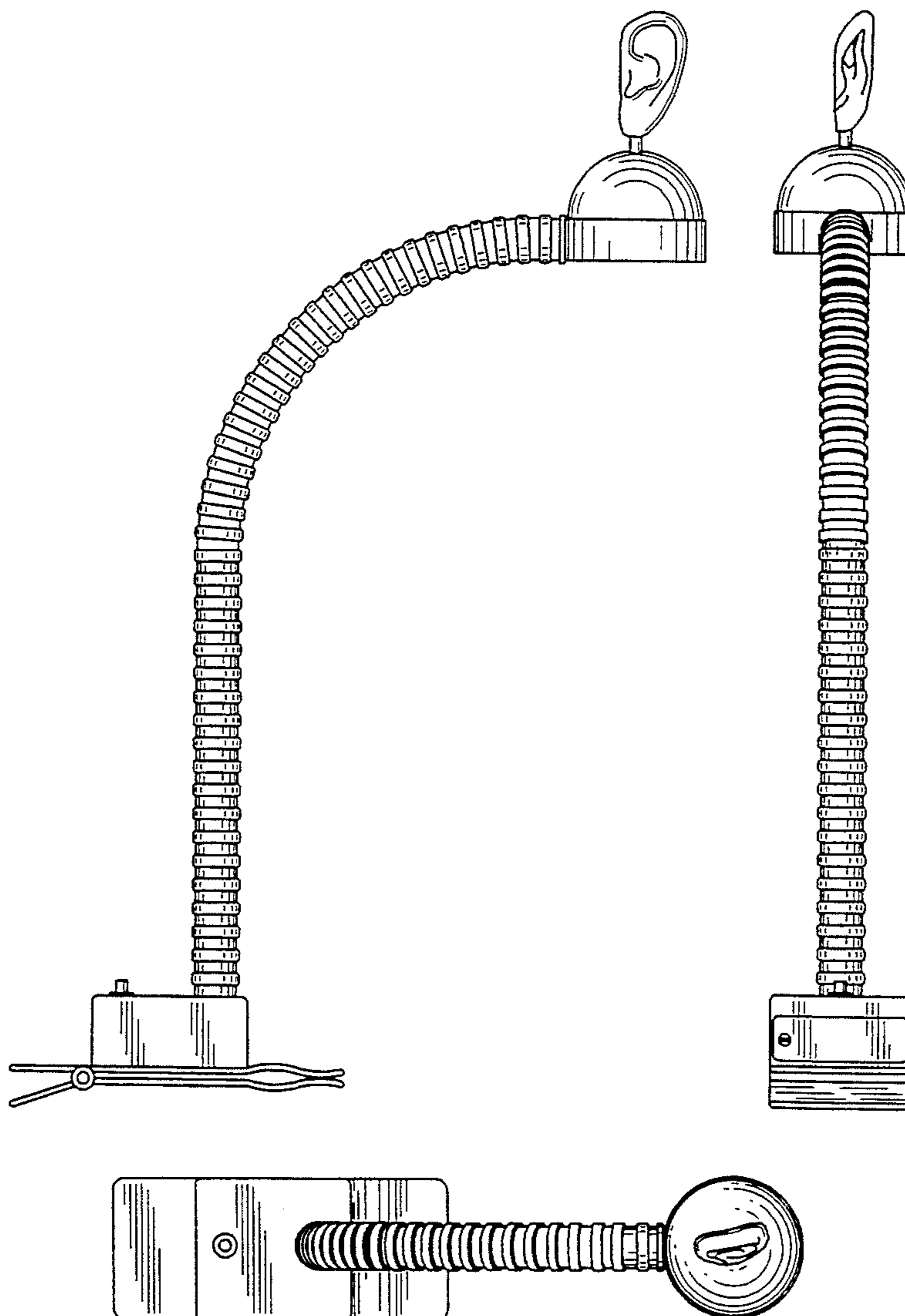


FIG. 1

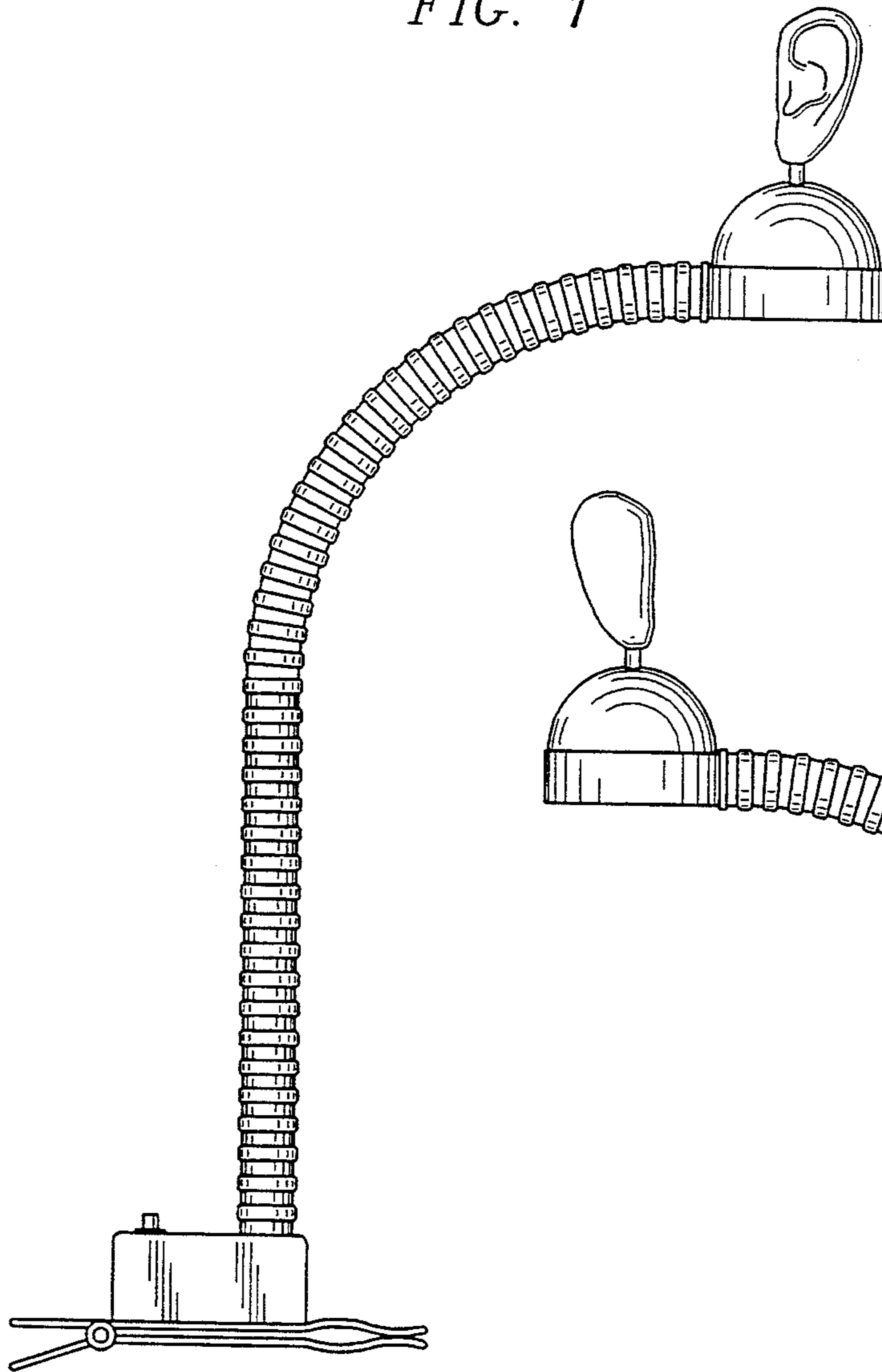


FIG. 2

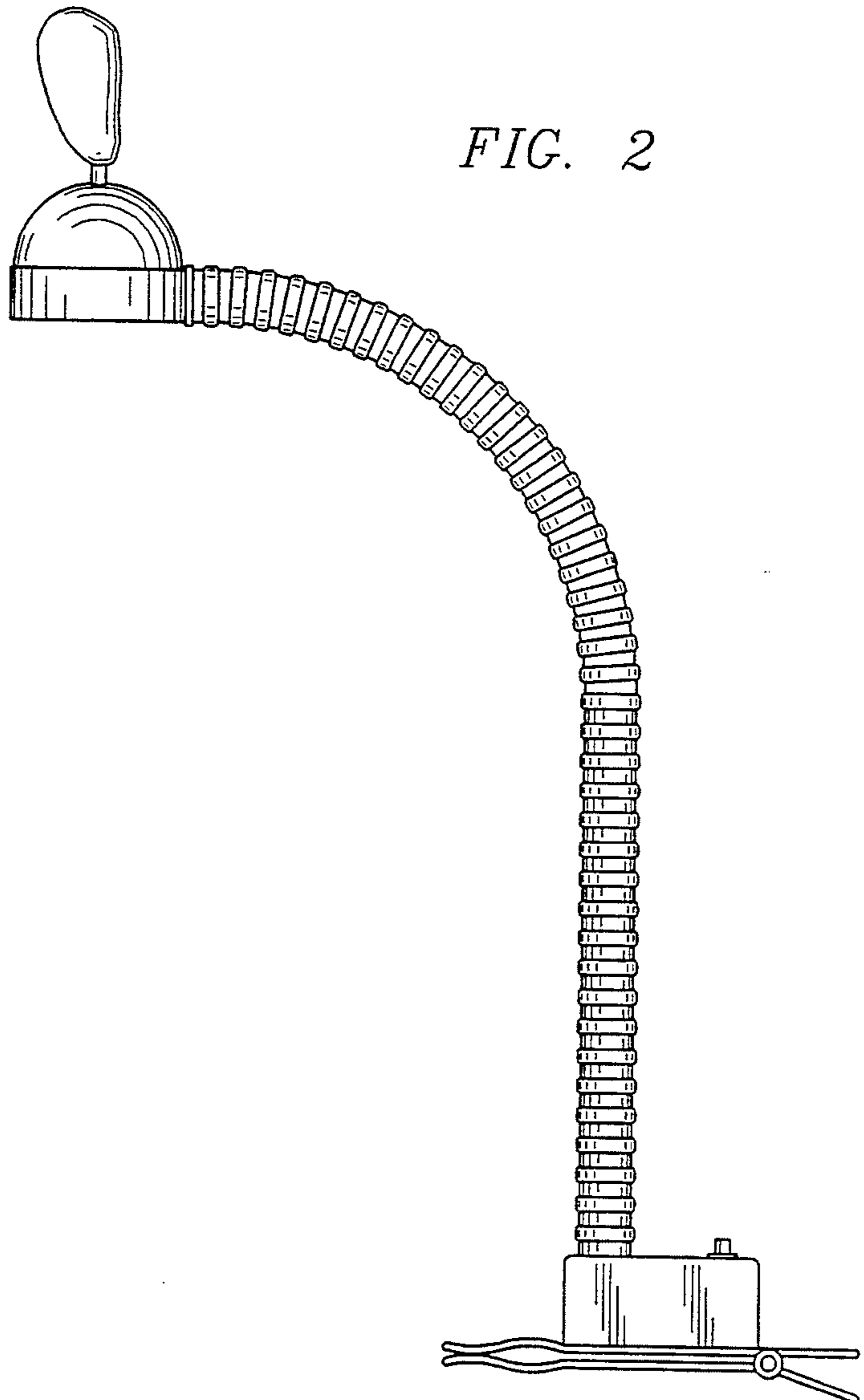


FIG. 3

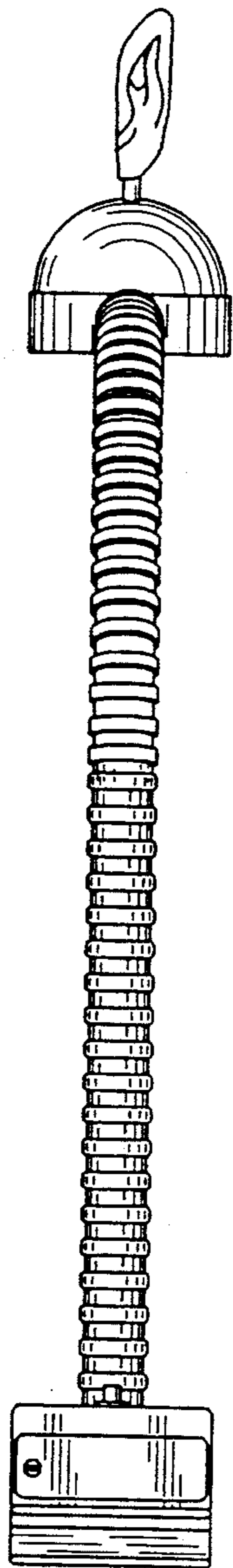


FIG. 4

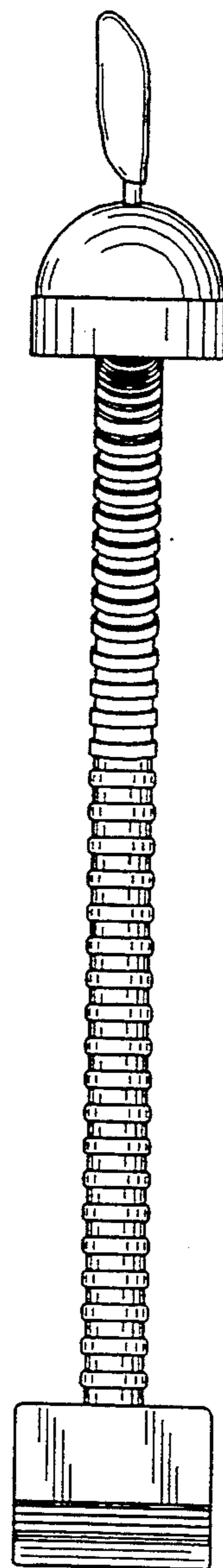


FIG. 5

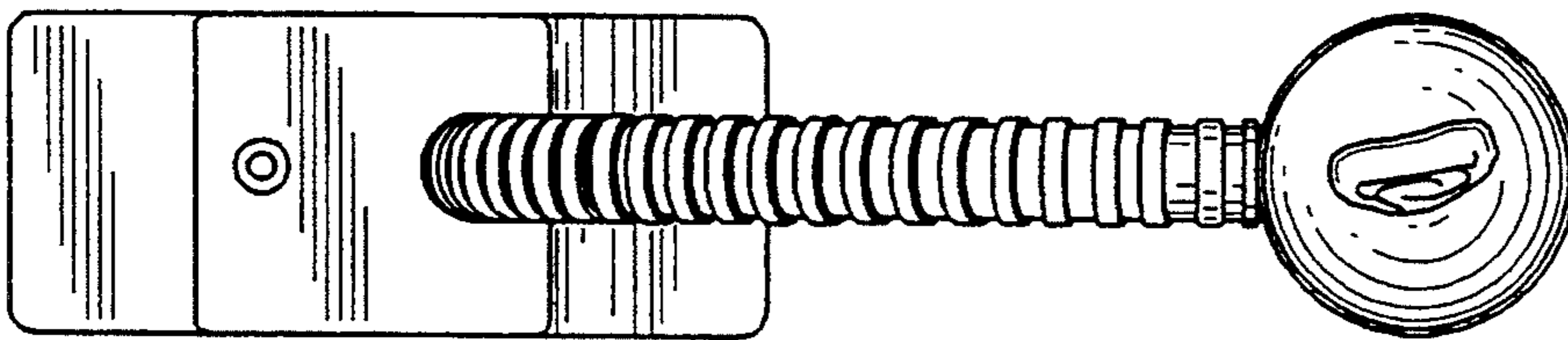


FIG. 6

