



US00D350205S

United States Patent [19]

Yamasaki et al.

[11] Patent Number: Des. 350,205

[45] Date of Patent: ** Aug. 30, 1994

[54] COMBINED LOW FREQUENCY MUSCLE RELAXER AND STORAGE CASE

5,072,730 12/1991 Lee 128/421
5,109,845 5/1992 Yuuchi et al. 128/421

[75] Inventors: Yoshikiyo Yamasaki, Sakai;
Shinichiro Fujimoto, Osaka, both of
Japan

Primary Examiner—A. Hugo Word
Assistant Examiner—I. Simmons
Attorney, Agent, or Firm—Flynn, Thiel, Boutell & Tanis

[73] Assignees: Kabushiki Kaisha Japan Health;
Kabushiki Kaisha Fuji Iryoki, both of
Osaka, Japan

[57] CLAIM

The ornamental design for a combined low frequency muscle relaxer and storage case, as shown and described.

[**] Term: 14 Years

[21] Appl. No.: 700,642

[22] Filed: May 15, 1991

[52] U.S. Cl. D24/200

[58] Field of Search 128/905, 415, 421, 24.1,
128/24.4, 24.5, 499 R, 732, 733, 783, 798, 800,
802; D24/200, 187, 168

DESCRIPTION

FIG. 1 is a front view of a combined low frequency muscle relaxer and storage case show our new design; FIG. 2 is a rear elevational view thereof; FIG. 3 is a top plan view thereof; FIG. 4 is a bottom plan view thereof; FIG. 5 is a right side elevational view thereof; FIG. 6 is a left side elevational view thereof; FIG. 7 is a perspective view thereof; FIG. 8 is a cross sectional view thereof, taken along the line 8—8 of FIG. 1; FIG. 9 is a perspective view thereof; FIG. 10 is a perspective view thereof, with the electrodes in lid; and, FIG. 11 is a perspective view thereof shown in use, the broken line showing of the leads and person is for illustrative purposes only and no part of the claimed design.

[56] References Cited

U.S. PATENT DOCUMENTS

D. 282,968	3/1986	Dickhudt	D24/200
D. 287,635	1/1987	Walus	D24/200
D. 323,561	1/1992	Bartelt et al.	D24/200
4,556,051	12/1985	Maurer	128/421 X
4,782,837	11/1988	Hogan	128/421
4,832,032	5/1989	Schneider	128/419 R
4,832,033	5/1989	Maher et al.	128/421
4,895,154	1/1990	Bartelt et al.	128/421

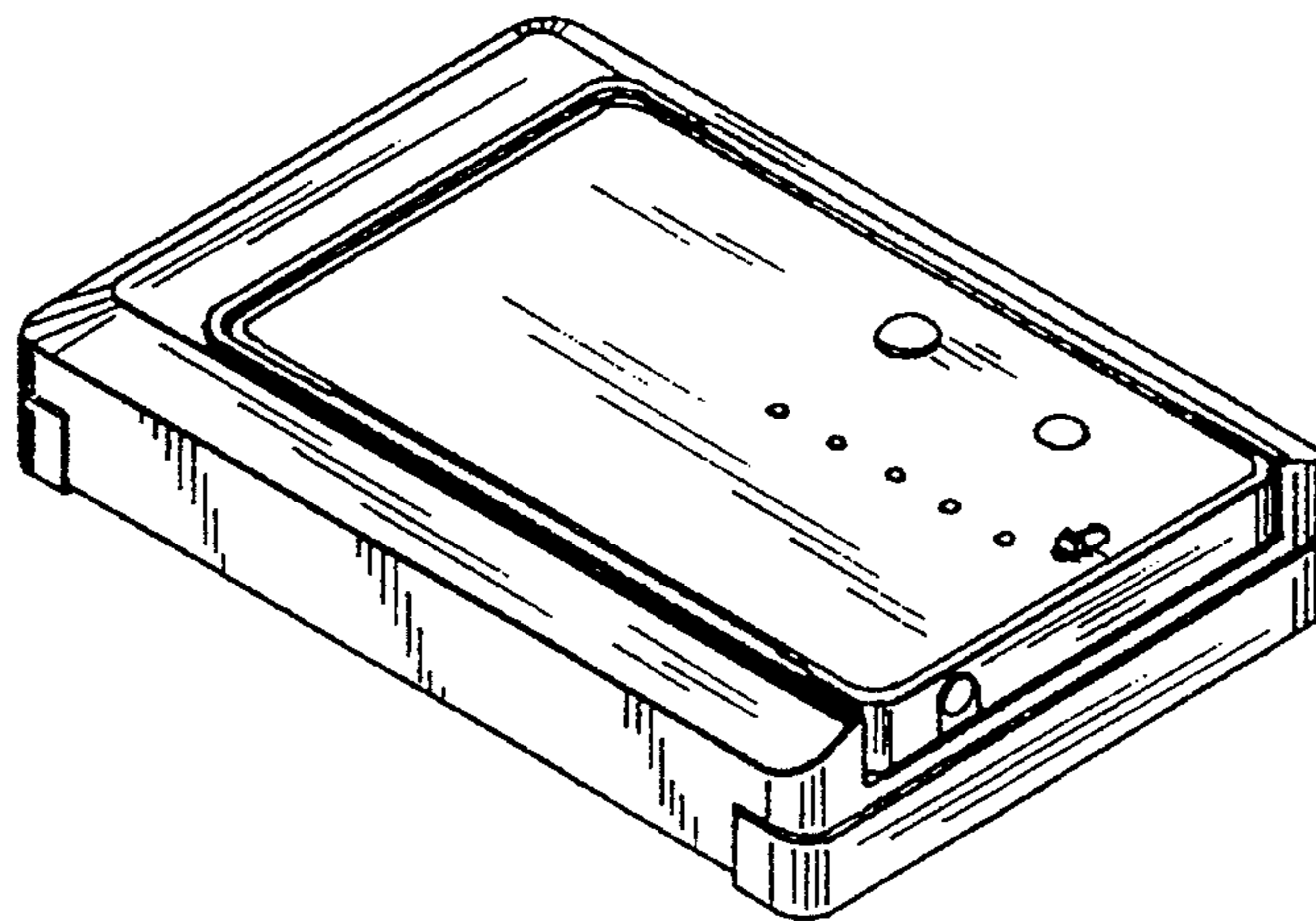
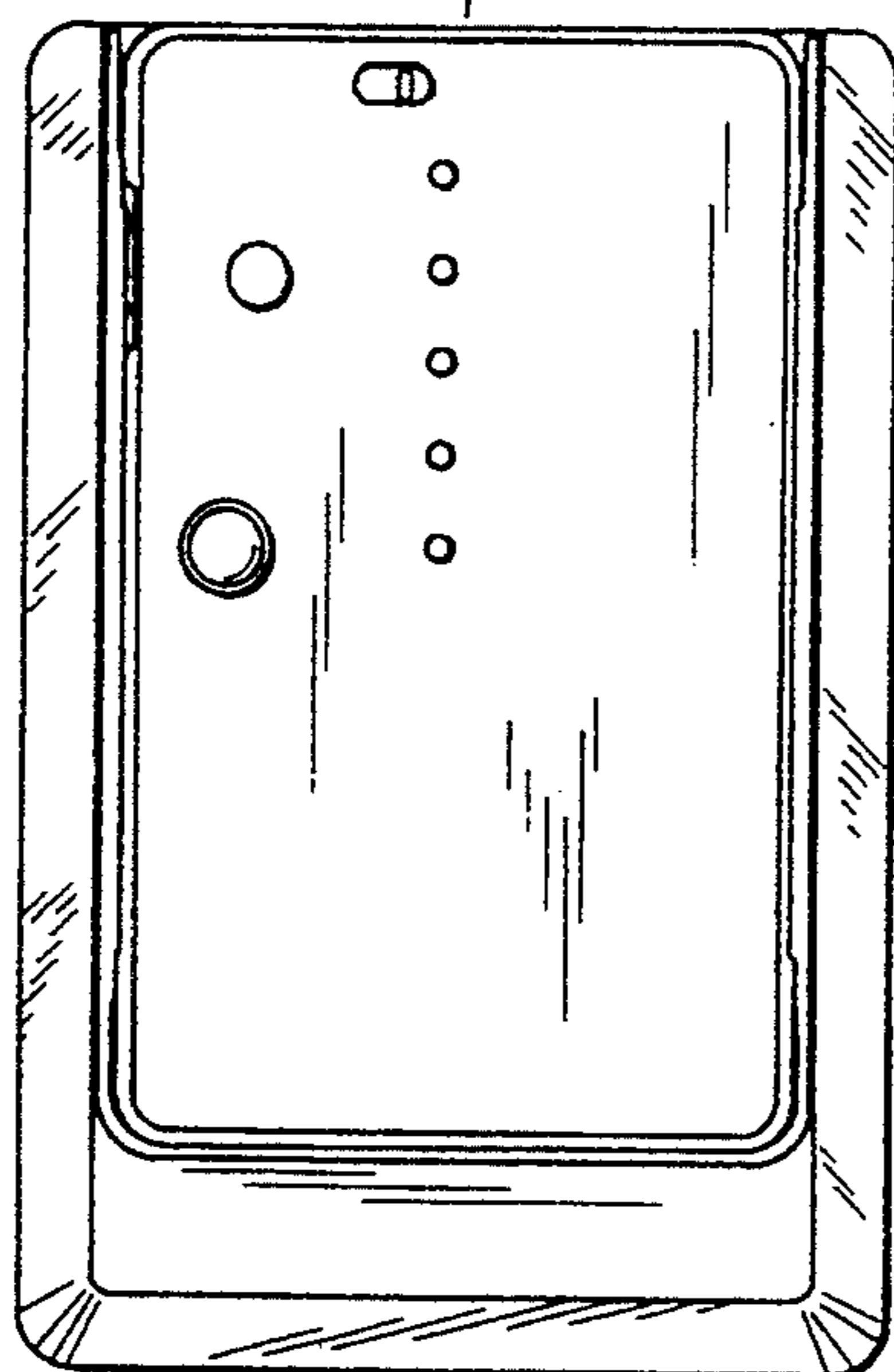


FIG. 1



8

8

FIG. 2

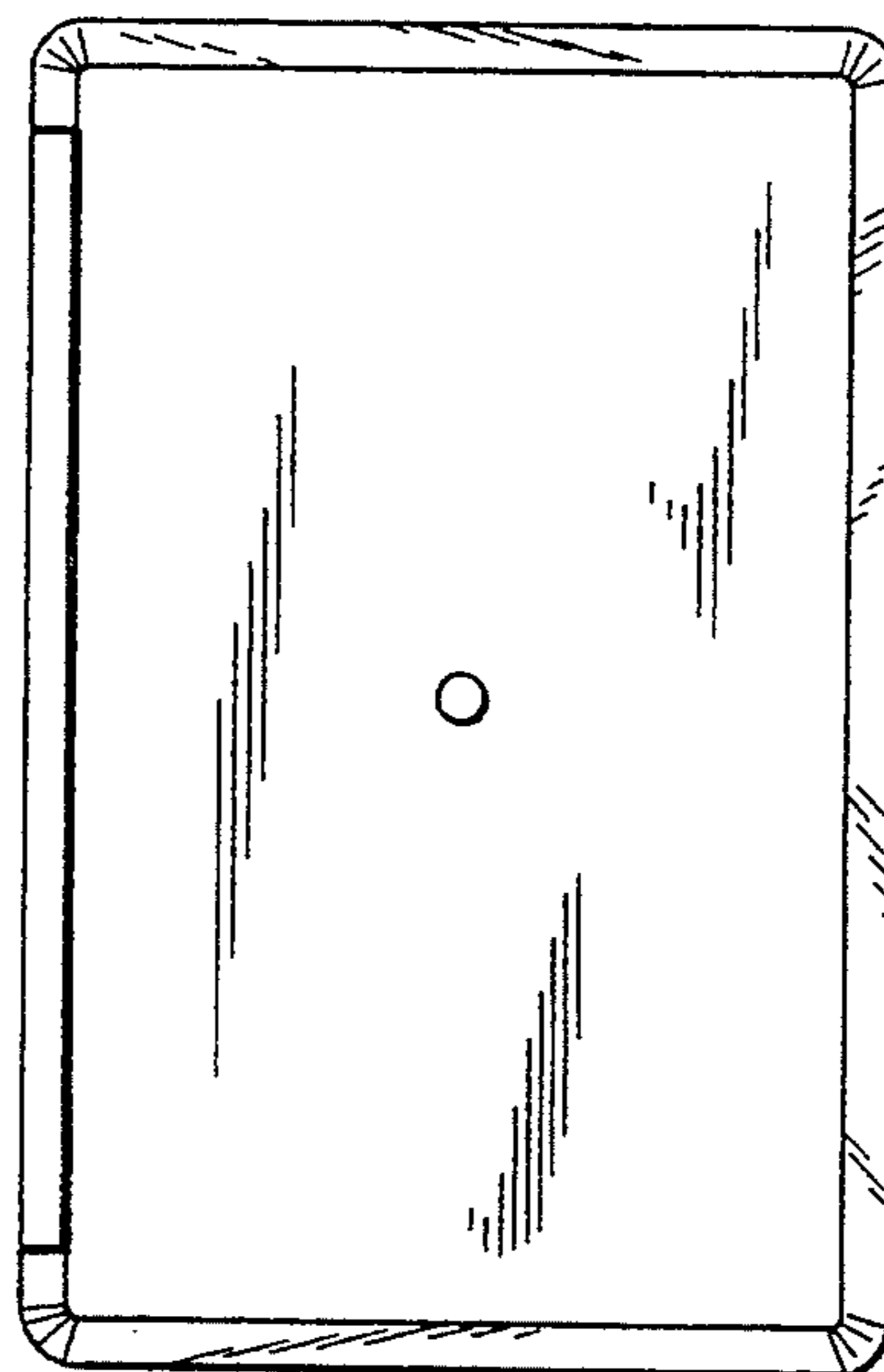


FIG. 3

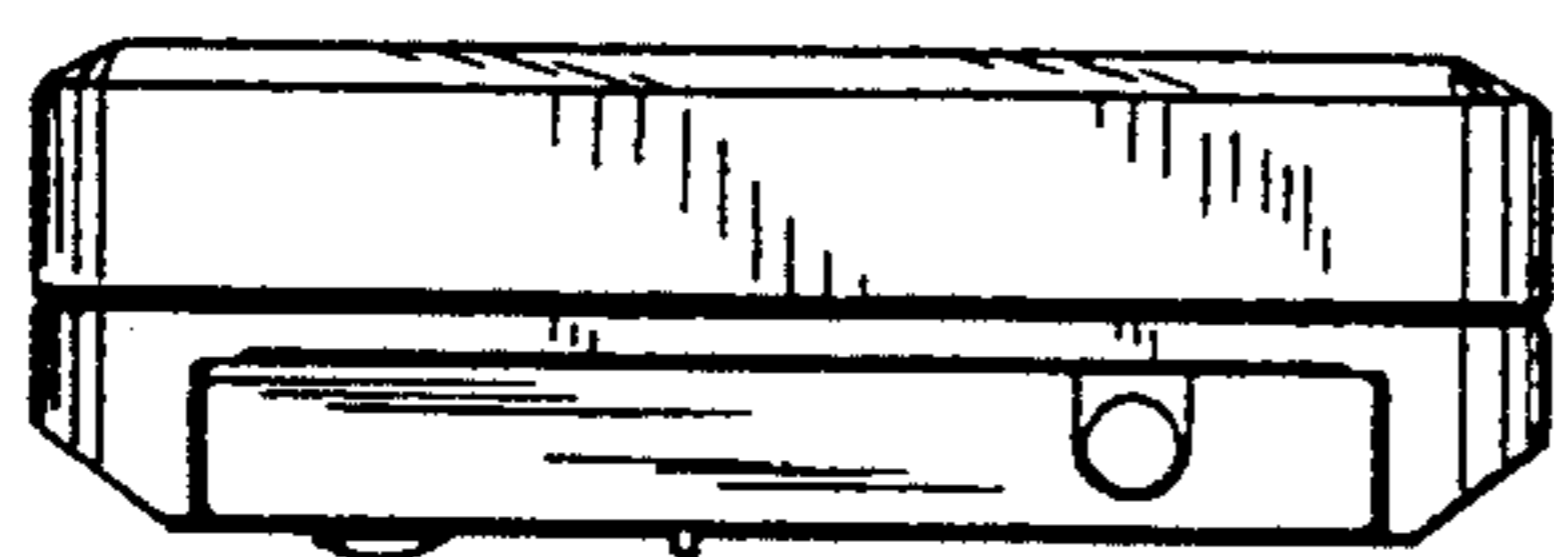


FIG. 4

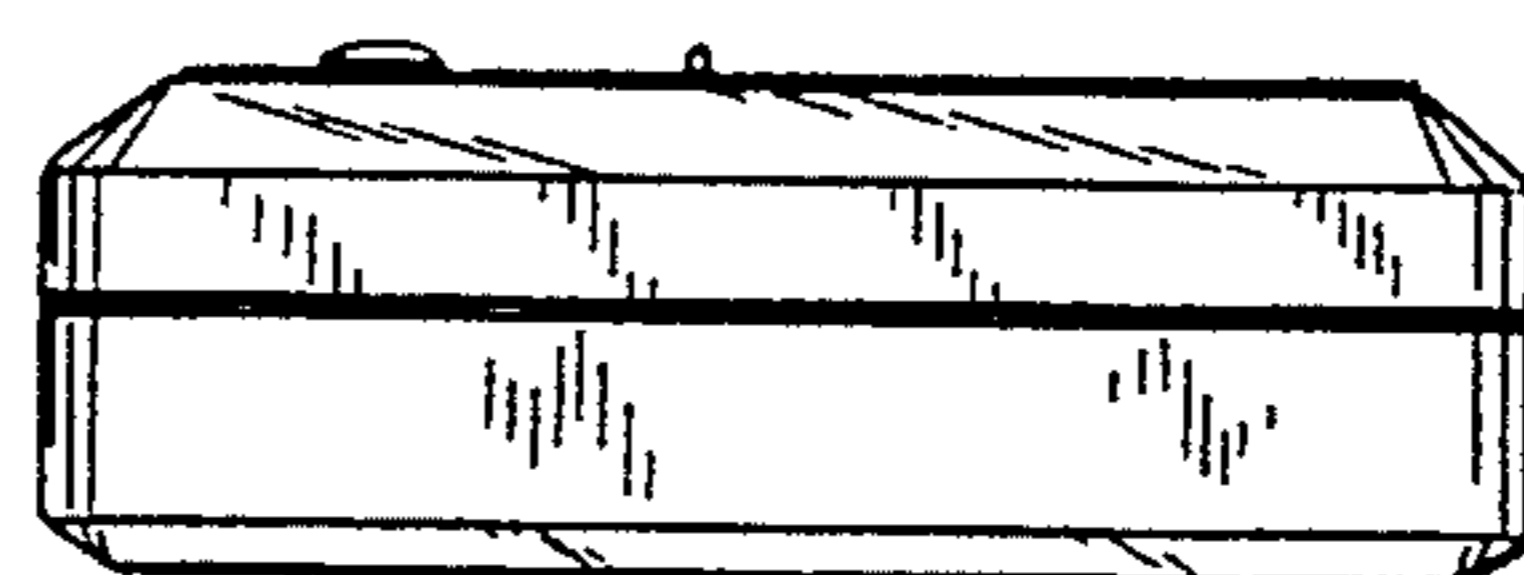


FIG. 5



FIG. 6



FIG. 7

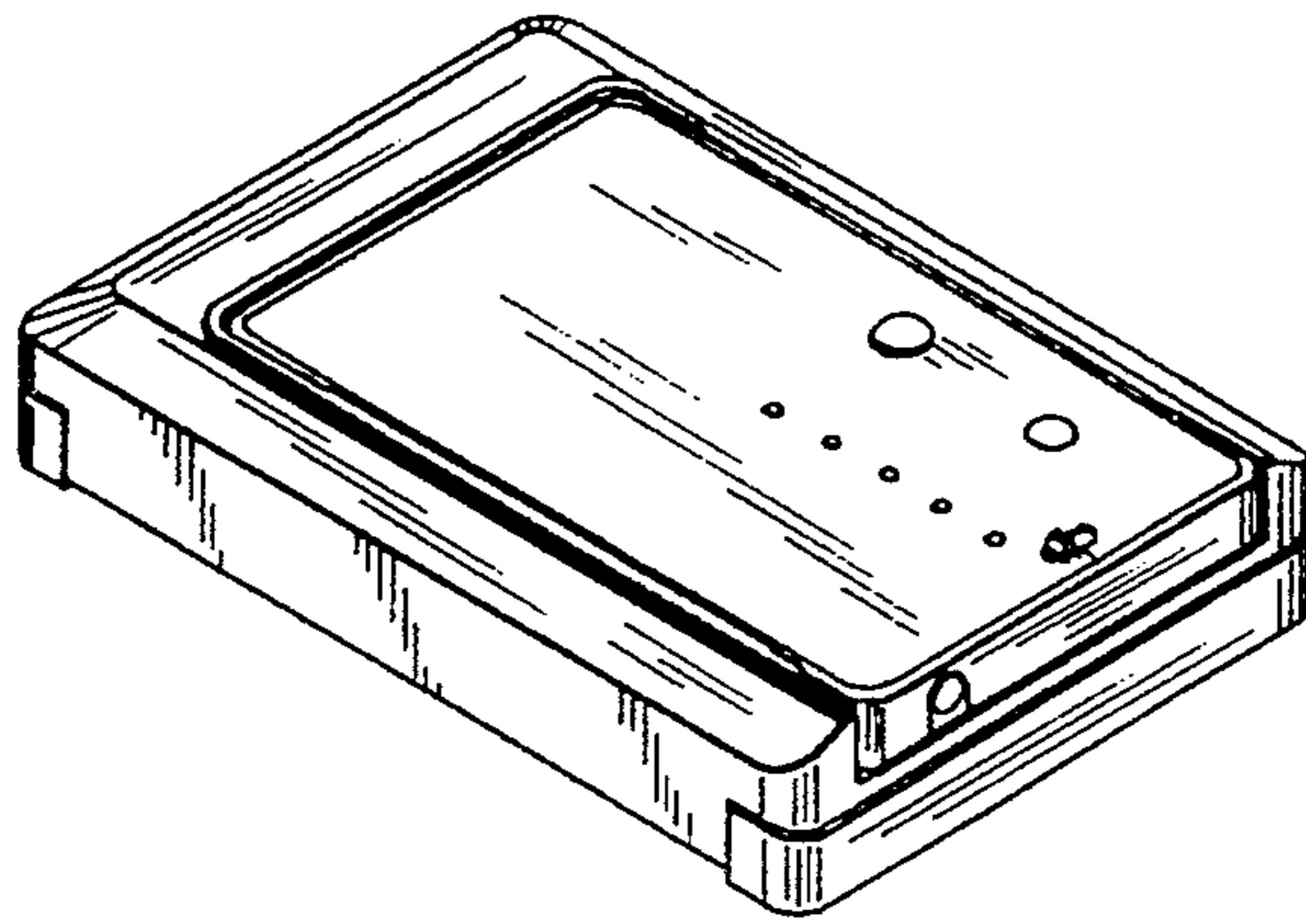


FIG. 8

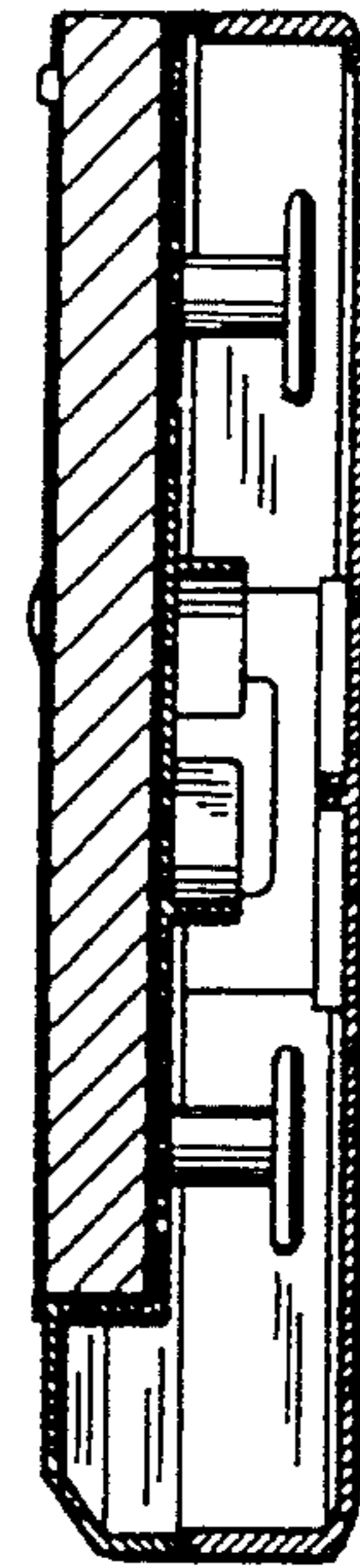


FIG. 9

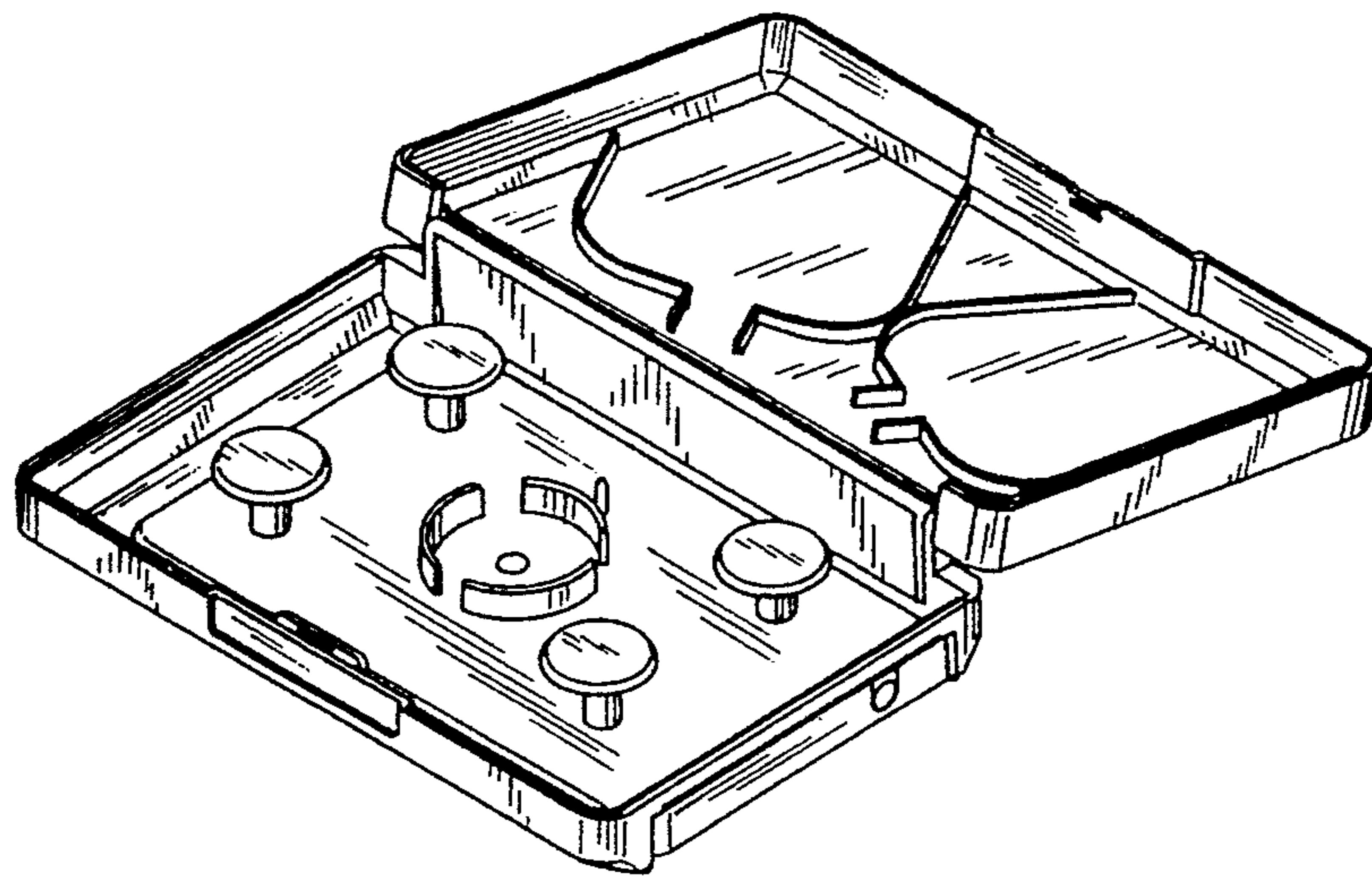


FIG. 10

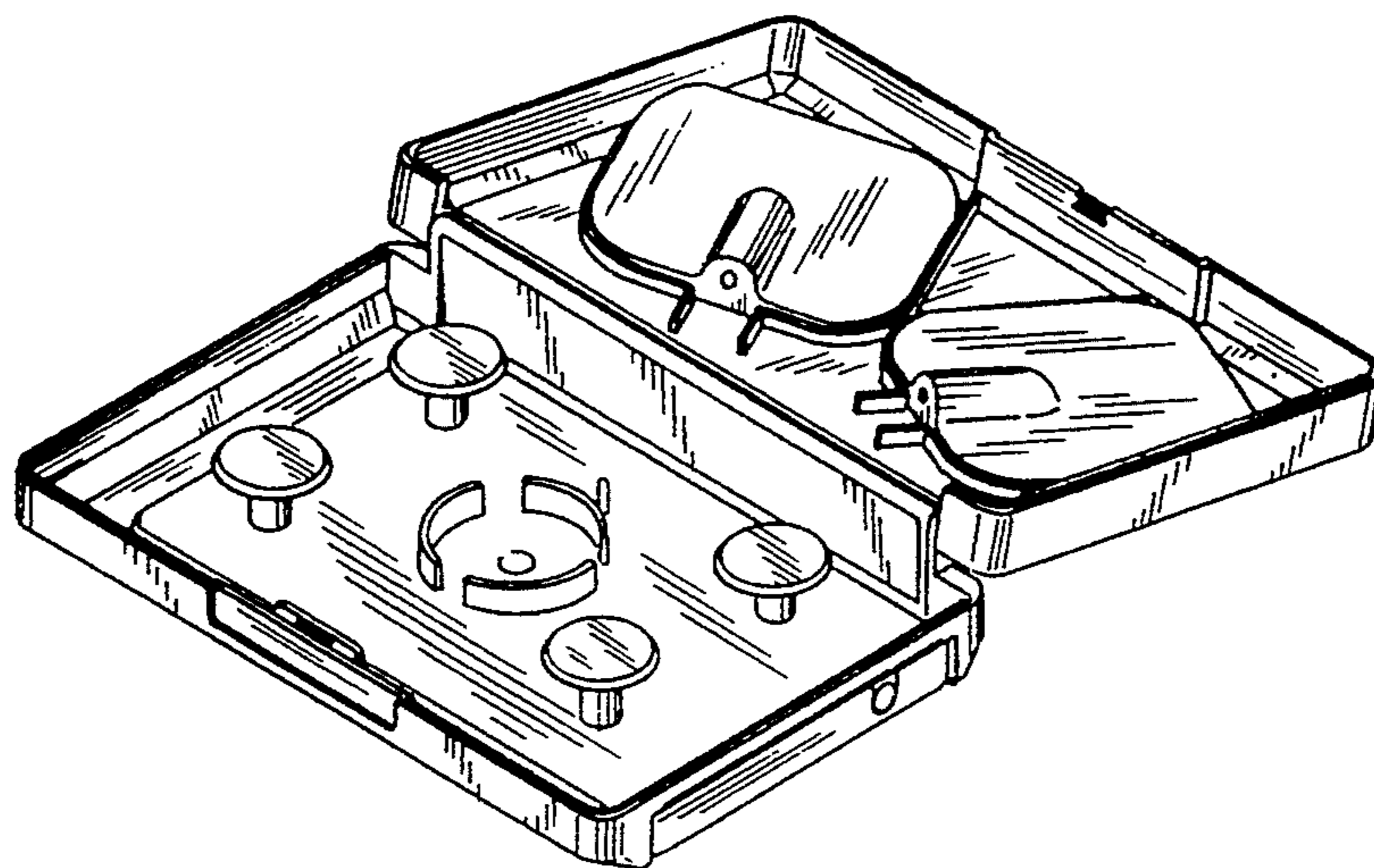


FIG. II

