



US00D350203S

United States Patent [19]

[11] Patent Number: **Des. 350,203**

Russell

[45] Date of Patent: **** Aug. 30, 1994**

[54] **PROTECTIVE COVER FOR A SURGICAL TABLE ARMBOARD**

4,530,350 7/1985 Brown et al. 128/DIG. 15 X
4,590,931 5/1986 Kidwell, Jr. 128/DIG. 15 X
4,941,479 7/1990 Russell et al. D24/190 X

[75] Inventor: **John P. Russell**, Center Point, Ala.

Primary Examiner—A. Hugo Word
Assistant Examiner—I. Simmons
Attorney, Agent, or Firm—George A. Bode

[73] Assignee: **Infection Control Products, Inc.**, Gardendale, Ala.

[**] Term: **14 Years**

[57] **CLAIM**

[21] Appl. No.: **747,255**

The ornamental design for a protective cover for a surgical table armboard, as shown.

[22] Filed: **Aug. 19, 1991**

DESCRIPTION

[52] U.S. Cl. **D24/184**

[58] Field of Search 297/227; 128/DIG. 15; D6/610; D24/183, 184, 189, 190

FIG. 1 is a top perspective view of a protective cover for a surgical table armboard showing my new design; FIG. 2 is a bottom perspective elevational view thereof; FIG. 3 is a top plan view thereof; FIG. 4 is a rear elevational view thereof; FIG. 5 is a front elevational view thereof; FIG. 6 is a bottom plan view thereof; FIG. 7 is a left side elevational view; and, FIG. 8 is a right side elevational view.

[56] **References Cited**

U.S. PATENT DOCUMENTS

2,418,092 3/1947 Passel 297/227
3,223,448 12/1965 Naughton D24/184 X
4,523,586 6/1985 Couri D24/190 X

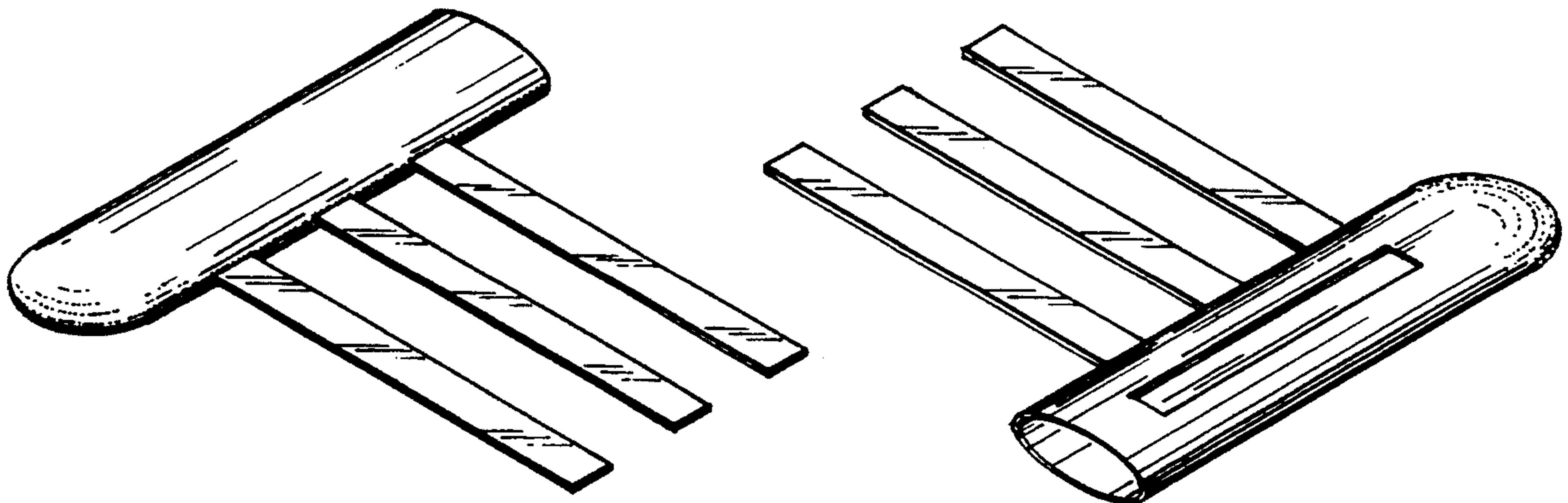




FIG. 5

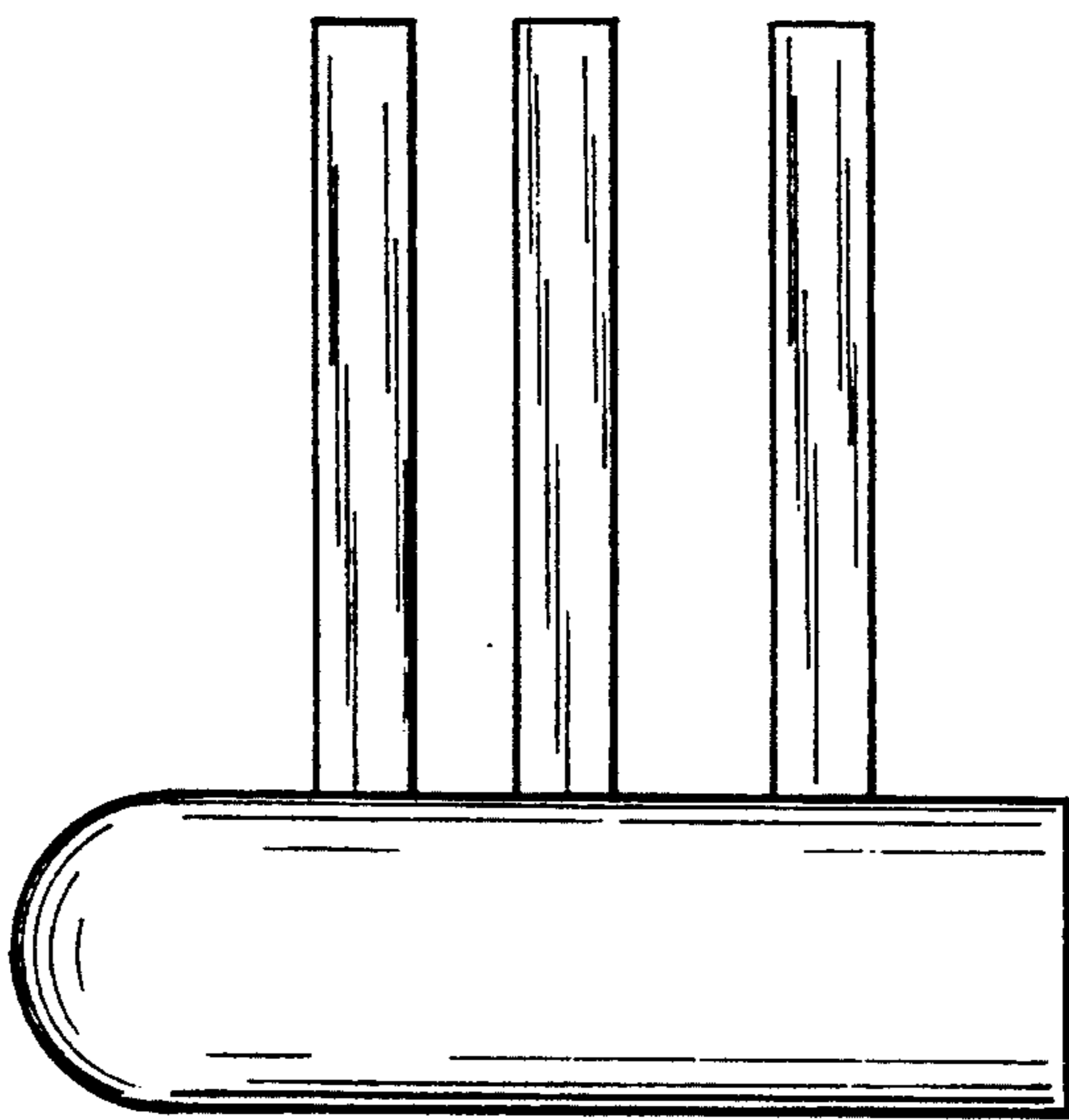


FIG. 3



FIG. 4

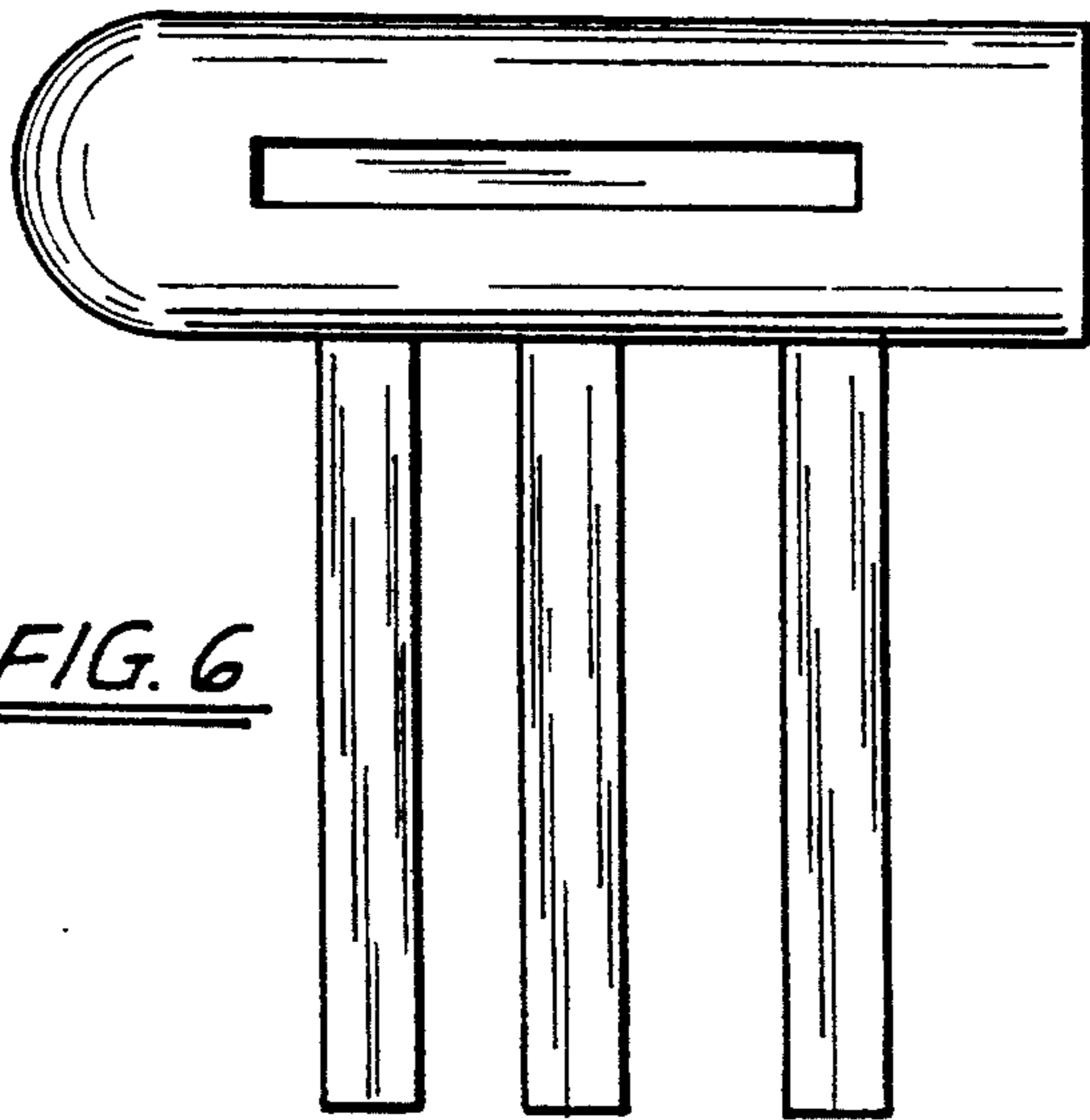


FIG. 6



FIG. 7



FIG. 8

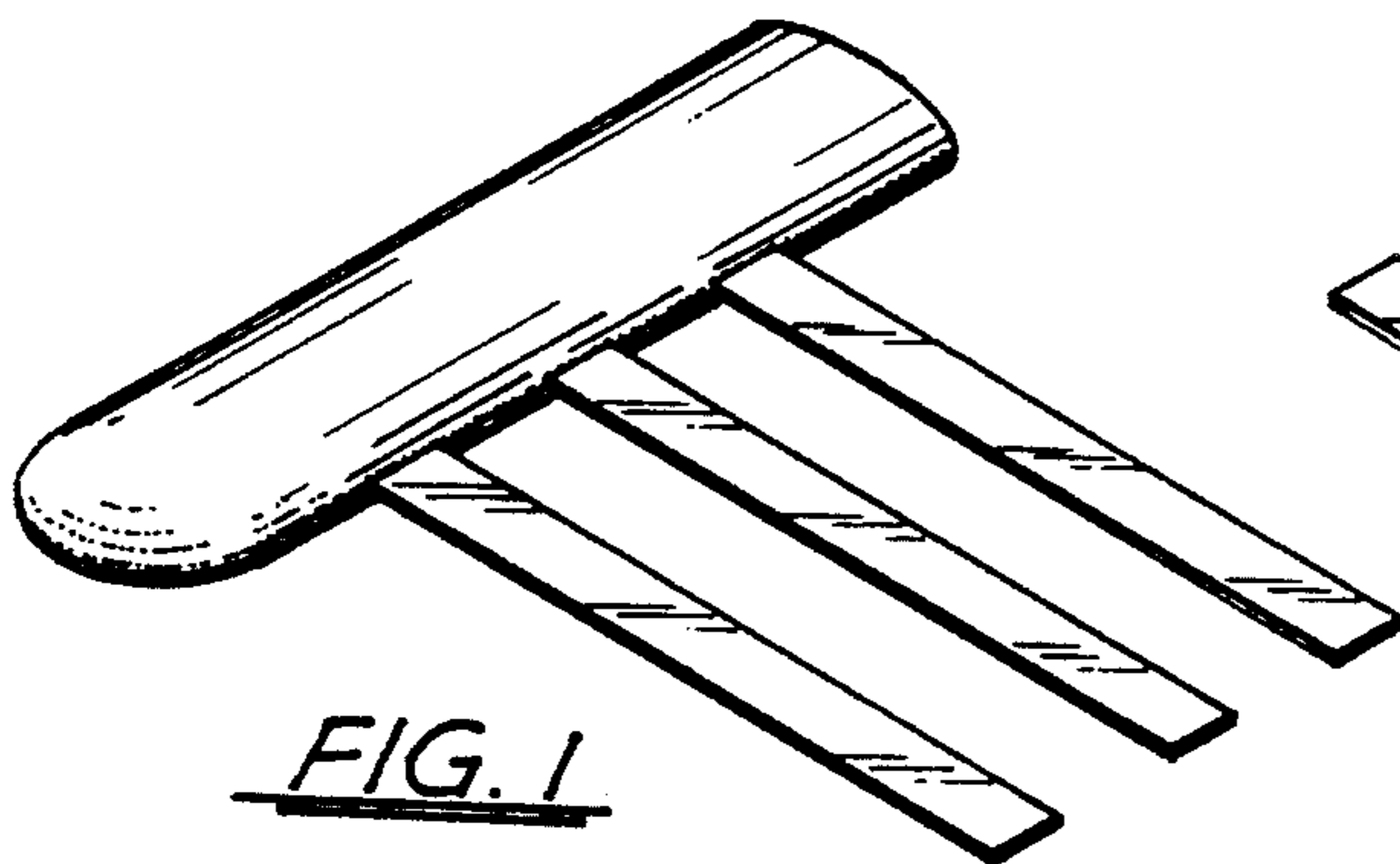


FIG. 1

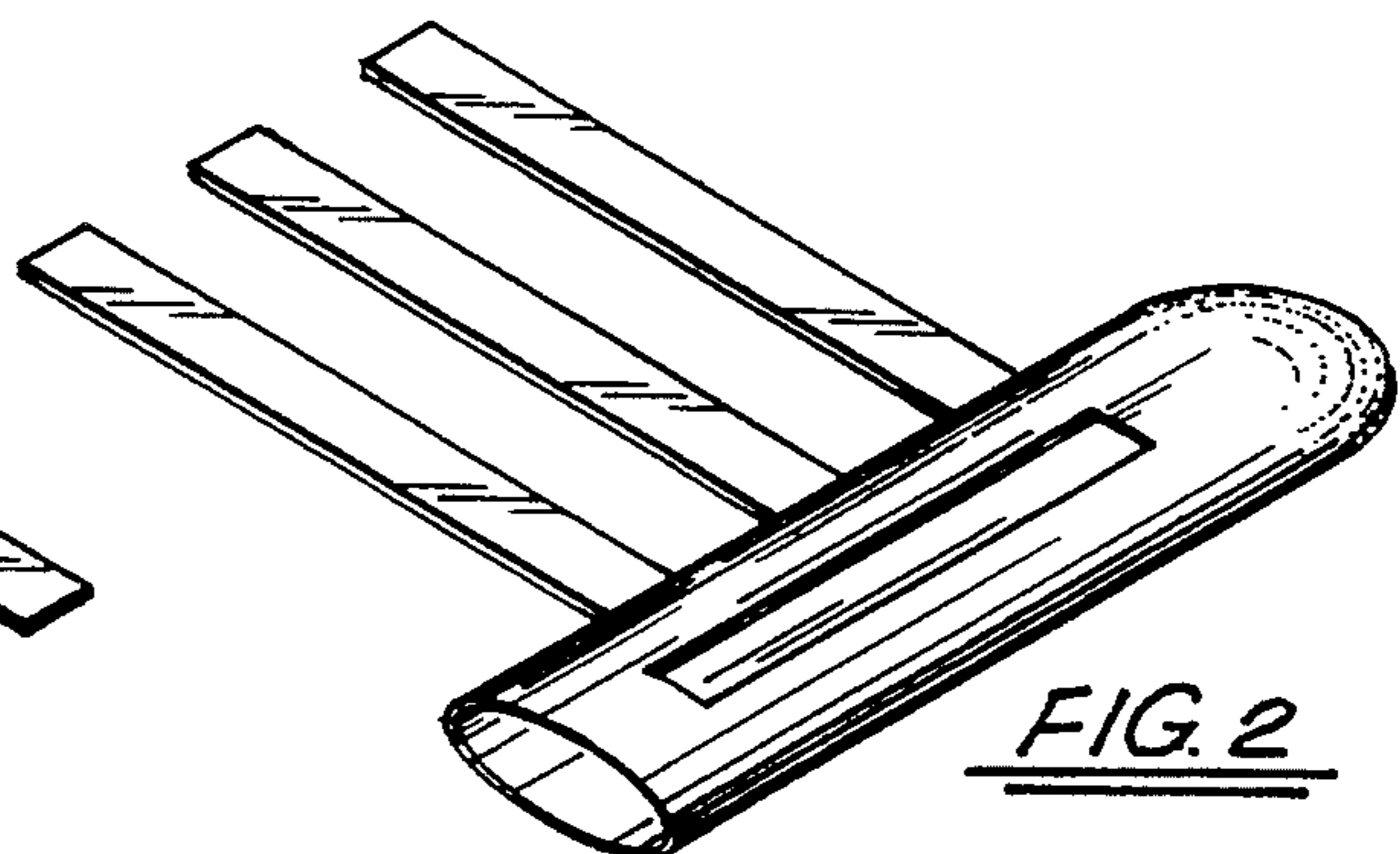


FIG. 2