



US00D350202S

**United States Patent** [19]  
**Kashani**

[11] **Patent Number: Des. 350,202**  
[45] **Date of Patent: \*\* Aug. 30, 1994**

[54] **TONGUE CLEANER**  
[75] Inventor: **Hooshang Kashani**, San Juan Capistrano, Calif.  
[73] Assignee: **Cashew Consulting, Inc.**, Irvine, Calif.  
[\*\*] Term: **14 Years**  
[21] Appl. No.: **887,780**  
[22] Filed: **May 22, 1992**  
[52] U.S. Cl. .... **D24/147**  
[58] Field of Search ..... 606/161; 30/171; 128/757, 62 A; D24/147, 149

2510391 2/1983 France ..... 606/161

*Primary Examiner*—A. Hugo Word  
*Assistant Examiner*—I. Simmons  
*Attorney, Agent, or Firm*—Hawes & Fischer

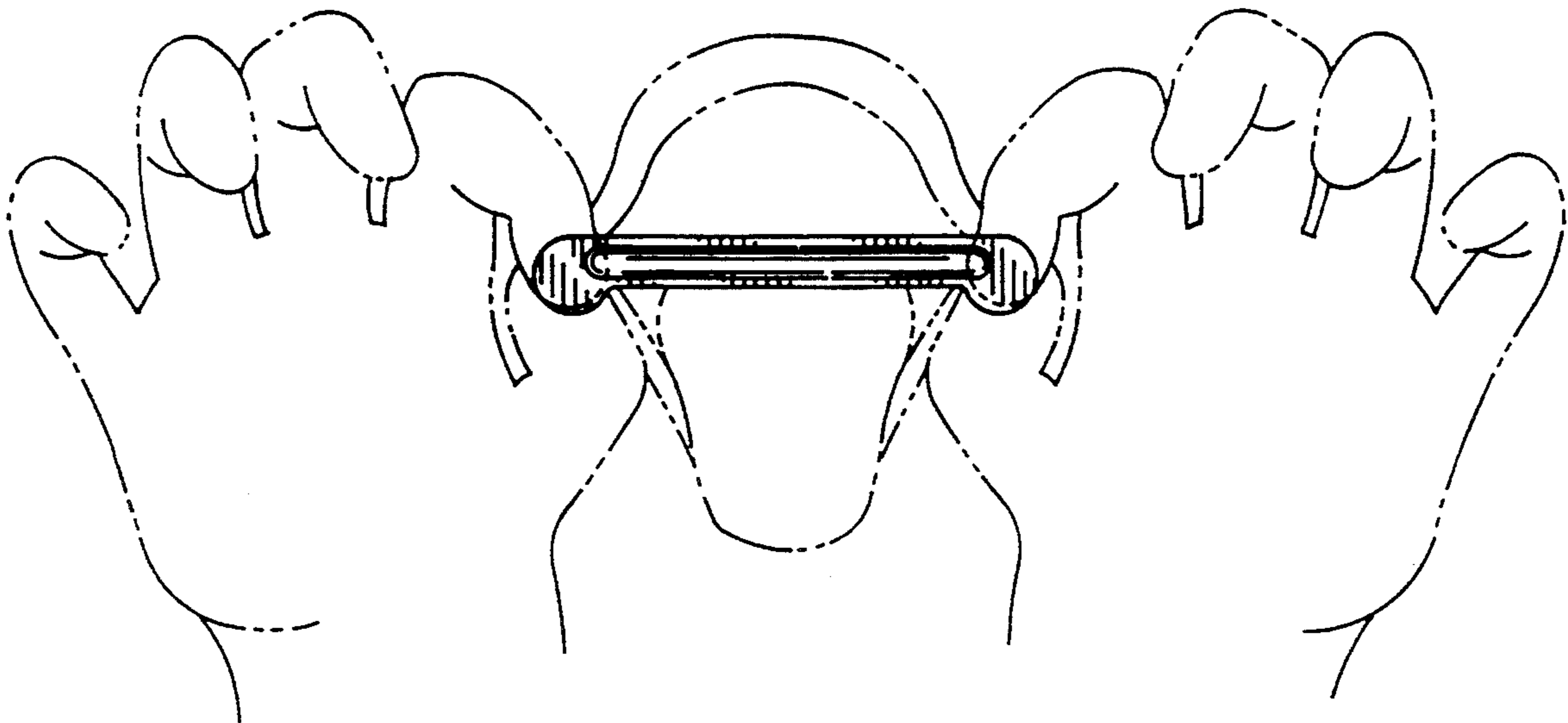
[57] **CLAIM**

The ornamental design for a tongue cleaner, as shown and described.

**DESCRIPTION**

FIG. 1 is a rear perspective view of a tongue cleaner which forms my invention;  
FIG. 2 is a rear elevational view thereof;  
FIG. 3 is a top plan view thereof;  
FIG. 4 is a bottom plan view thereof;  
FIG. 5 is a side elevational view thereof, this side and the opposite side being of identical design;  
FIG. 6 is a front elevational view thereof;  
FIG. 7 is a front elevational view thereof shown in use, the broken line showing of the hands and mouth for illustrative purposes only and forming no part of the claimed design; and,  
FIG. 8 is a cross-section thereof taken along lines 8—8 of FIG. 6.

[56] **References Cited**  
**U.S. PATENT DOCUMENTS**  
D. 299,055 12/1988 Swamy ..... D24/147  
D. 303,289 9/1989 Swamy ..... D24/147  
1,893,524 1/1933 Shanley ..... 606/161  
3,683,924 8/1972 Louie ..... 606/161  
**FOREIGN PATENT DOCUMENTS**  
580878 7/1933 Fed. Rep. of Germany ..... 606/161



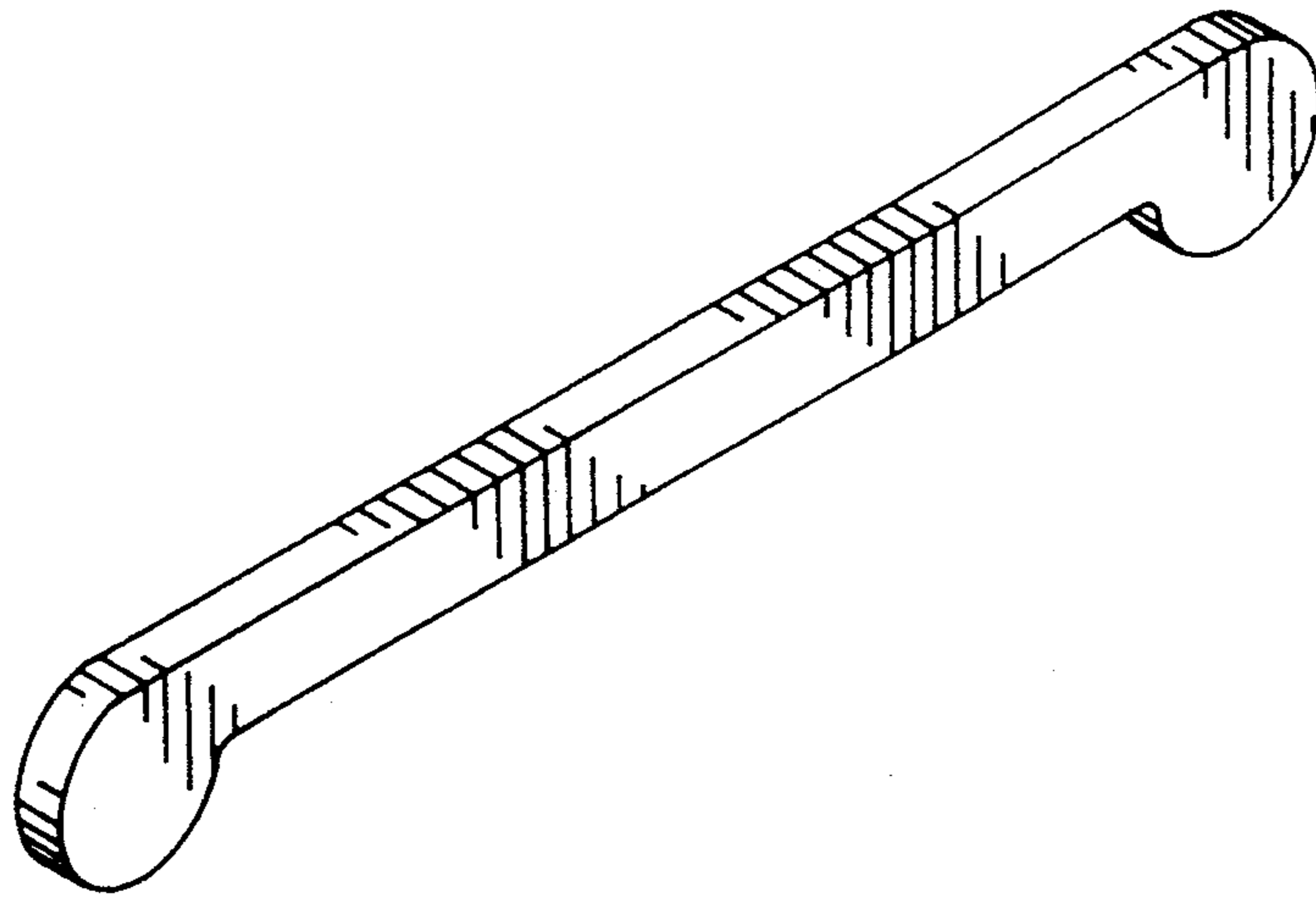


FIG. 1

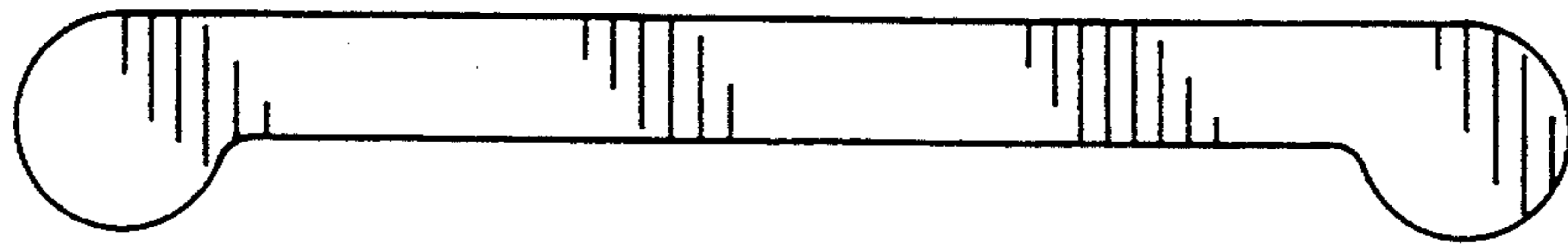


FIG. 2

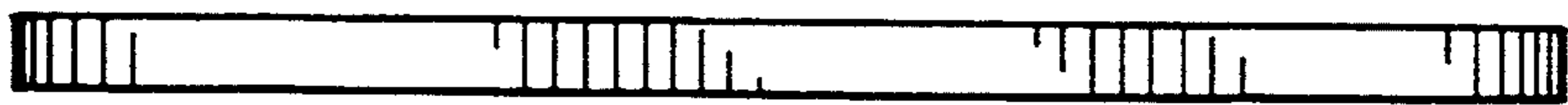


FIG. 3



FIG. 4

FIG. 5



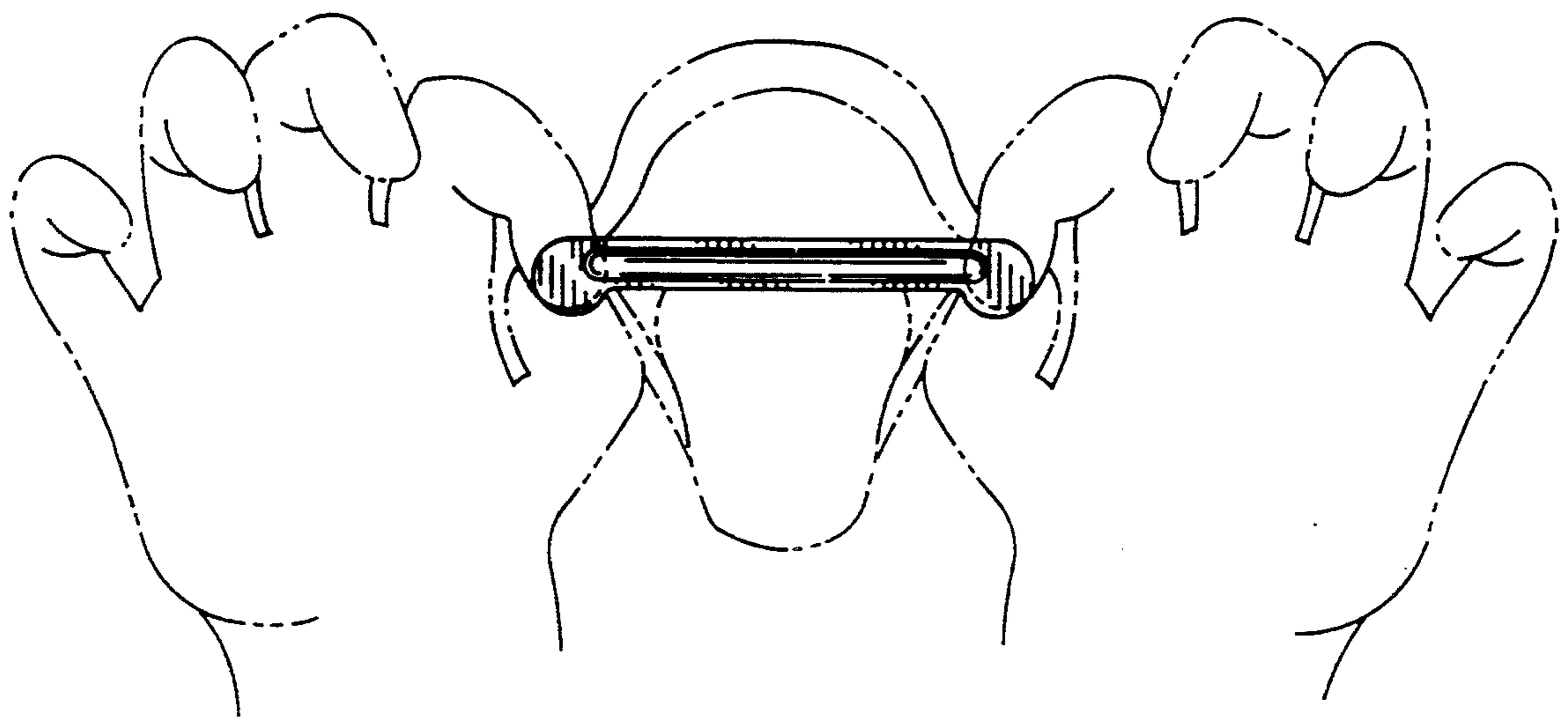
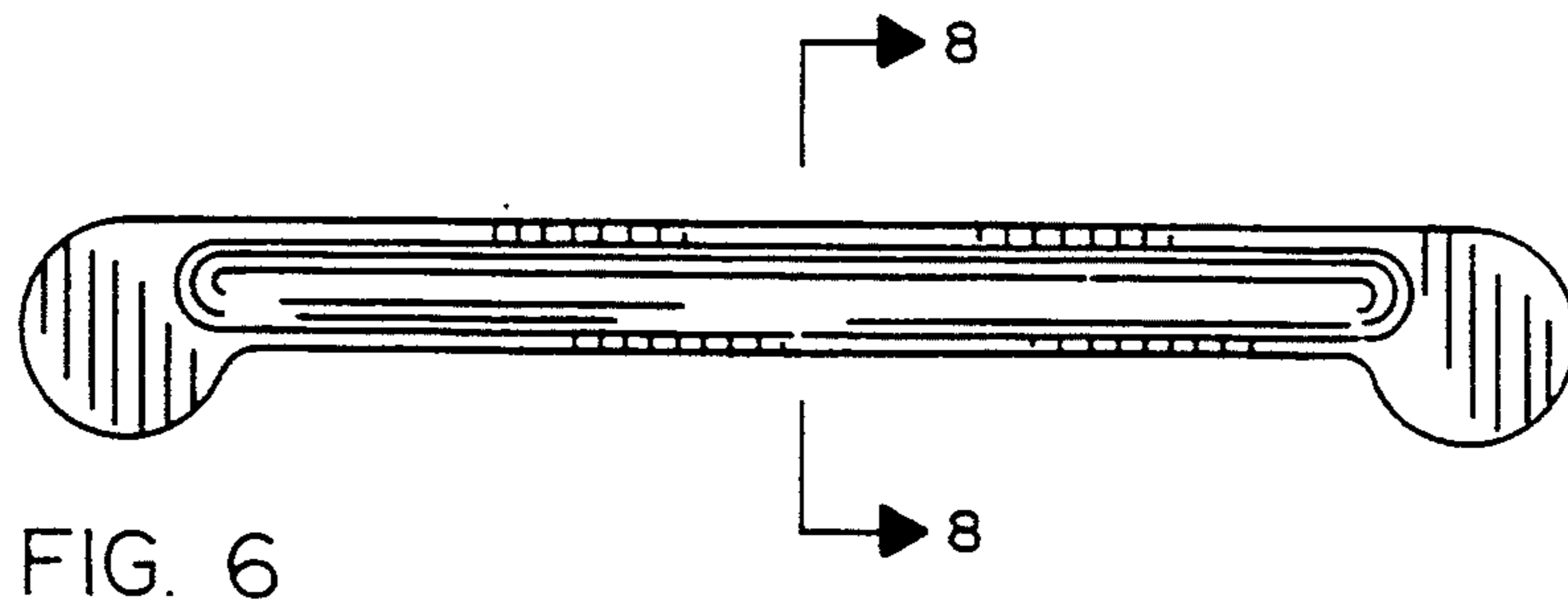




FIG. 8