



US00D350195S

United States Patent [19]

[11] Patent Number: **Des. 350,195**

Poulsen

[45] Date of Patent: **** Aug. 30, 1994**

[54] **CAPILLARY TUBE HOLDER FOR DRAWING BLOOD**

[75] Inventor: **Jens U. Poulsen**, Copenhagen, Denmark

[73] Assignee: **Novo Nordisk A/S**, Bagsvaerd, Denmark

[**] Term: **14 Years**

[21] Appl. No.: **669,326**

[22] Filed: **Mar. 14, 1991**

[30] **Foreign Application Priority Data**

Sep. 14, 1990 [DK] Denmark 11021990

[52] U.S. Cl. **D24/113; D24/133; D24/169**

[58] Field of Search 128/638, 768, 767, 770, 128/763, 765, 767; 604/182; D24/127, 128, 129, 169, 145

[56] **References Cited**

U.S. PATENT DOCUMENTS

D. 261,680 11/1981 Hall D24/128

D. 323,390 1/1992 Paine et al. D24/129
 D. 325,781 4/1992 Moller-Jensen D24/169
 D. 330,419 10/1992 Sifers et al. D24/128
 3,012,745 12/1961 Donovan D24/129 X
 3,718,133 2/1973 Perry et al. 128/767 X
 3,809,068 5/1974 Kosowsky 128/767 X
 3,847,370 11/1974 Engelsher D24/129 X
 4,250,893 2/1981 White 128/767 X
 4,820,274 4/1989 Choksi et al. 604/174

FOREIGN PATENT DOCUMENTS

8504089 9/1985 PCT Int'l Appl. 128/767

Primary Examiner—A. Hugo Word

Assistant Examiner—I. Simmons

Attorney, Agent, or Firm—Steve T. Zelson

[57] **CLAIM**

The ornamental design for a capillary tube holder for drawing blood, as shown and described.

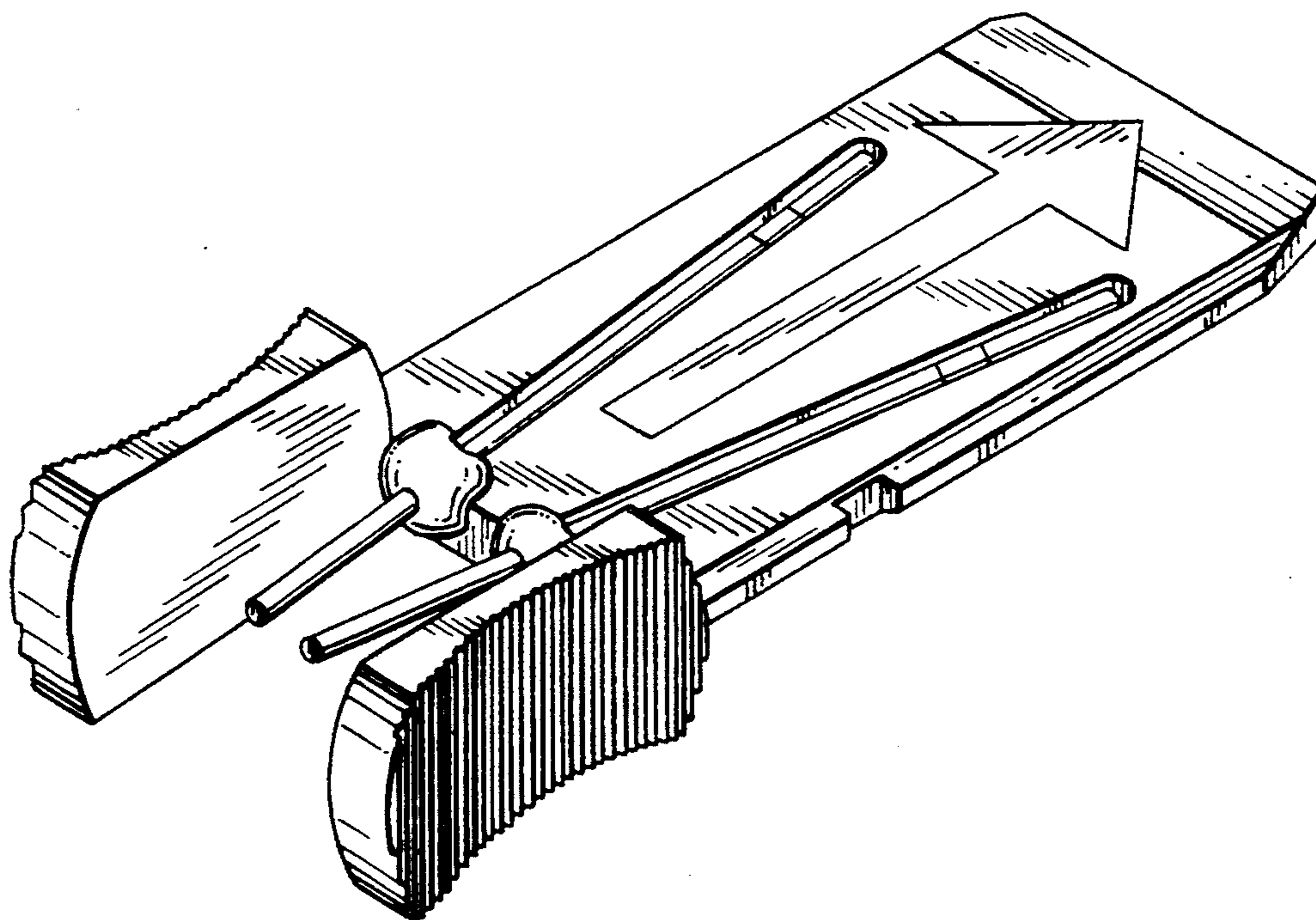
DESCRIPTION

FIG. 1 is a top front and right side perspective view;

FIG. 2 is a top plan view thereof;

FIG. 3 is a right-side view thereof; and,

FIG. 4 is a bottom plan view thereof.



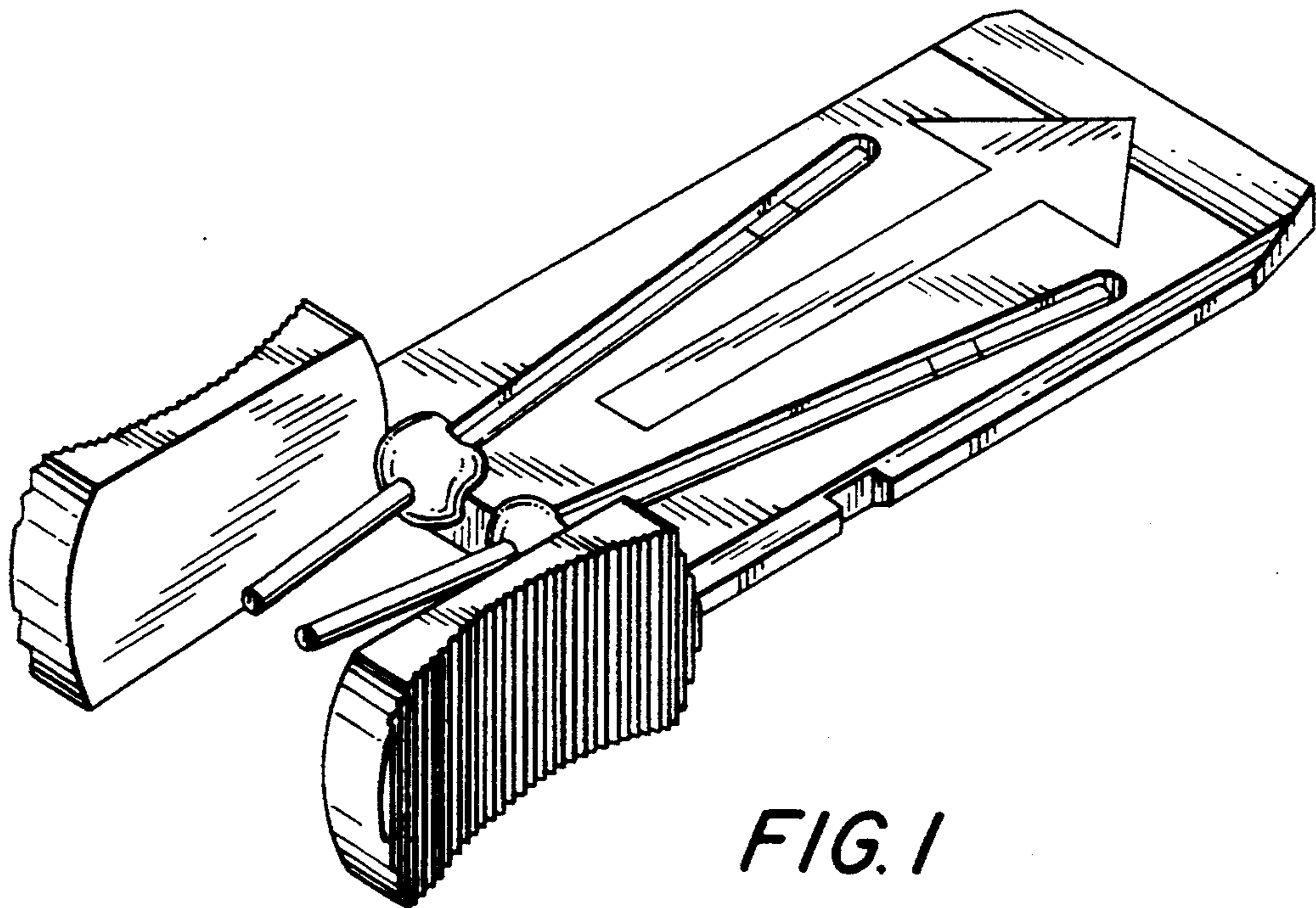


FIG. 1

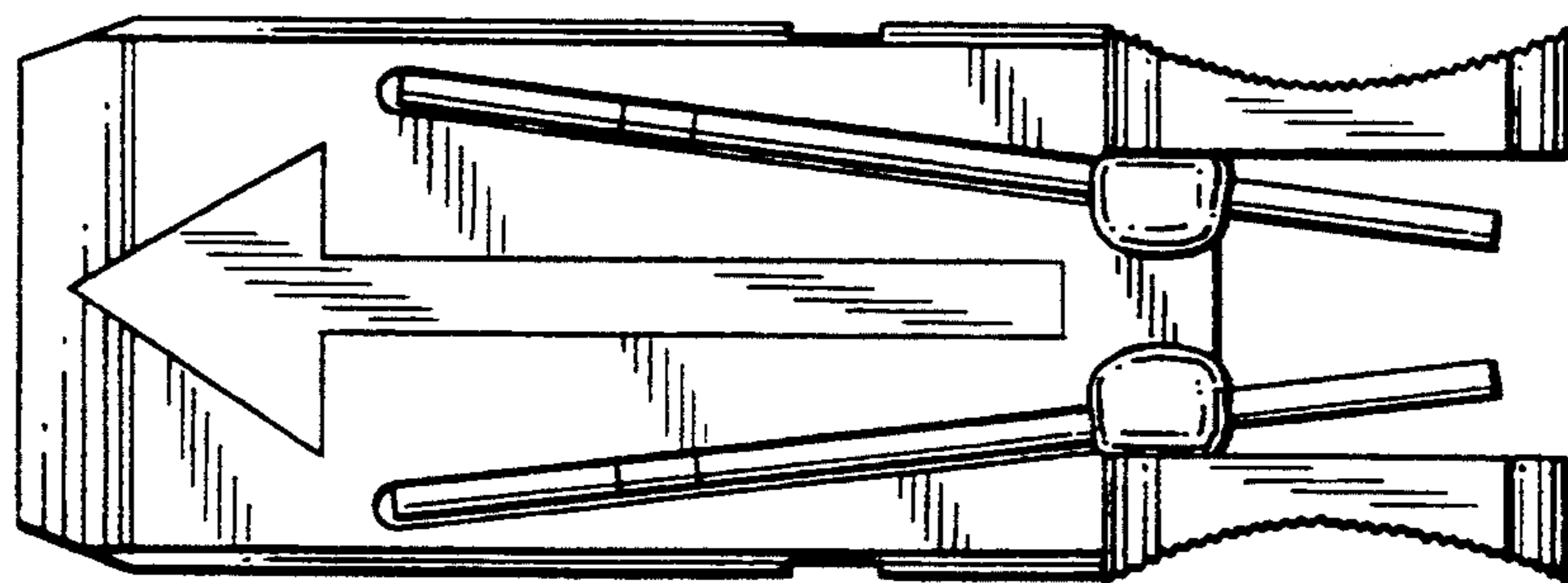


FIG. 2

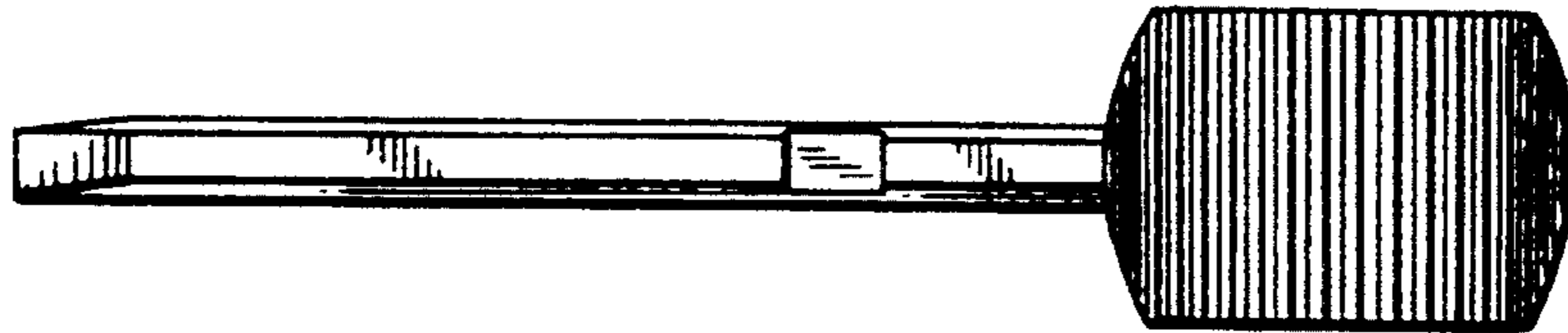


FIG. 3

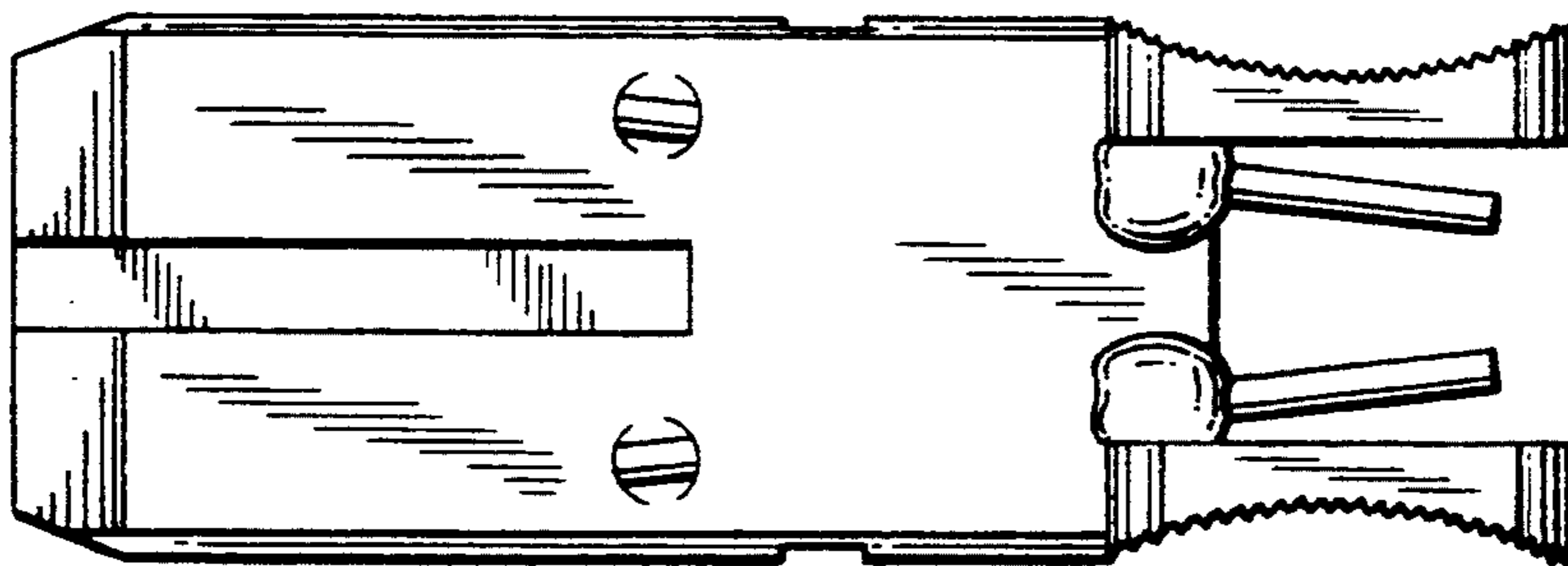


FIG. 4