



US00D350192S

# United States Patent [19]

[11] Patent Number: **Des. 350,192**

Patel et al.

[45] Date of Patent: **\*\* Aug. 30, 1994**

[54] **DISPENSER FOR AIR TREATING MATERIAL**

[75] Inventors: **Manhar K. Patel, Saddle Brook; John M. Paulovitch, Hewitt, both of N.J.**

[73] Assignee: **Reckitt & Colman Inc., Wayne, N.J.**

[\*\*] Term: **14 Years**

[21] Appl. No.: **10,242**

[22] Filed: **Jun. 30, 1993**

[52] U.S. Cl. .... **D23/369; D9/504; D23/366**

[58] Field of Search ..... **D9/504, 529, 428; 239/58, 55; 422/305, 120, 5, 122; 392/390, 392, 393, 395; D26/366-369; D11/222, 213**

[56] **References Cited**

**U.S. PATENT DOCUMENTS**

D. 246,316	11/1977	Hadtke	.....	D23/150
D. 246,317	11/1977	Heath et al.	.....	D23/150
D. 254,930	5/1980	Mandon et al.	.....	D23/150
D. 254,931	5/1980	Mandon et al.	.....	D23/150
D. 255,047	5/1980	Müller et al.	.....	D23/150
D. 255,263	6/1980	Mandon et al.	.....	D23/150
D. 255,265	6/1980	Butcher et al.	.....	D23/150
D. 268,520	4/1983	Le Caire	.....	D23/150
D. 270,468	9/1983	Hoyt	.....	D23/150
D. 275,222	8/1984	Hoyt	.....	D23/150
D. 280,538	9/1985	Von Till	.....	D22/19
D. 289,919	5/1987	O'Neil	.....	D23/150

D. 289,920	5/1987	O'Neil	.....	D23/150
D. 303,584	9/1989	Bakic	.....	D9/504
D. 323,554	1/1992	Hoyt et al.	.....	D23/369
D. 324,420	3/1992	Farce	.....	D23/369
4,014,501	3/1977	Buckenmayer	.....	239/58
4,361,279	11/1982	Beacham	.....	239/56
4,526,320	7/1985	Von Philipp et al.	.....	239/43
4,630,775	12/1986	Mandon et al.	.....	239/56
4,815,659	3/1989	Turko et al.	.....	239/6

**FOREIGN PATENT DOCUMENTS**

1497580	1/1978	United Kingdom	.....	239/58
---------	--------	----------------	-------	--------

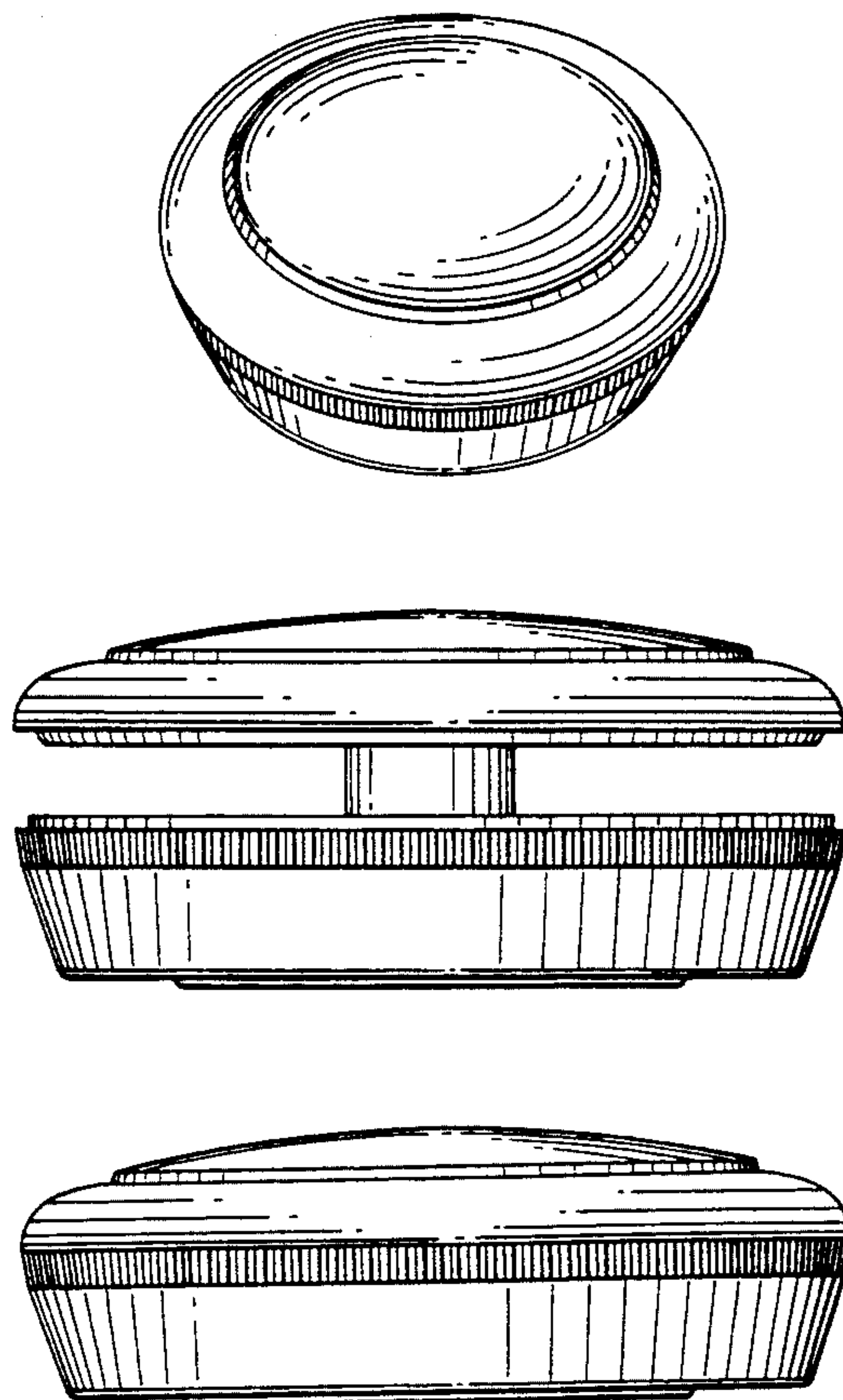
*Primary Examiner*—Wallace R. Burke  
*Assistant Examiner*—Lisa Lichtenstein  
*Attorney, Agent, or Firm*—Frederick H. Rabin

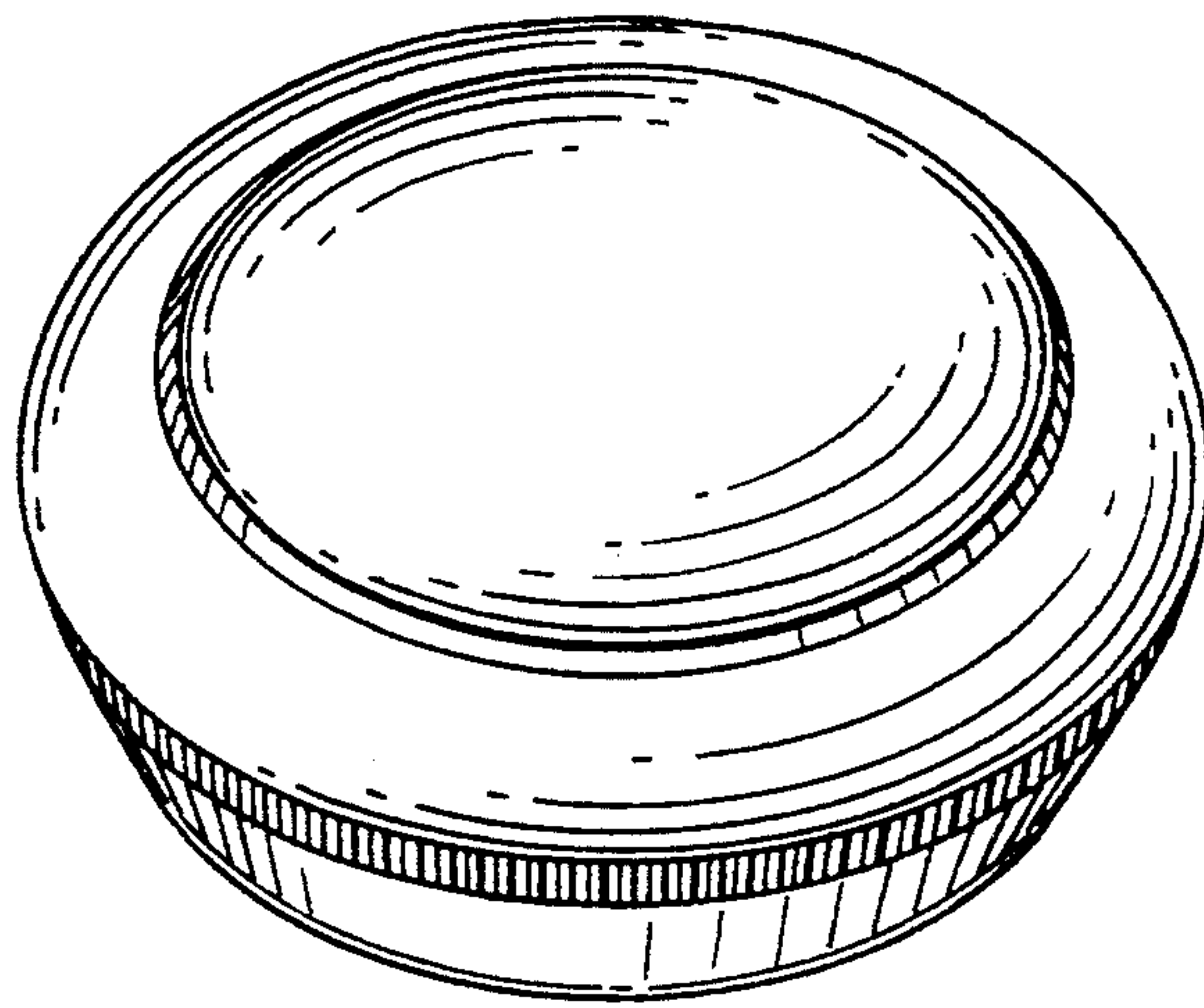
[57] **CLAIM**

The ornamental design for a dispenser for air treating material, as shown and described.

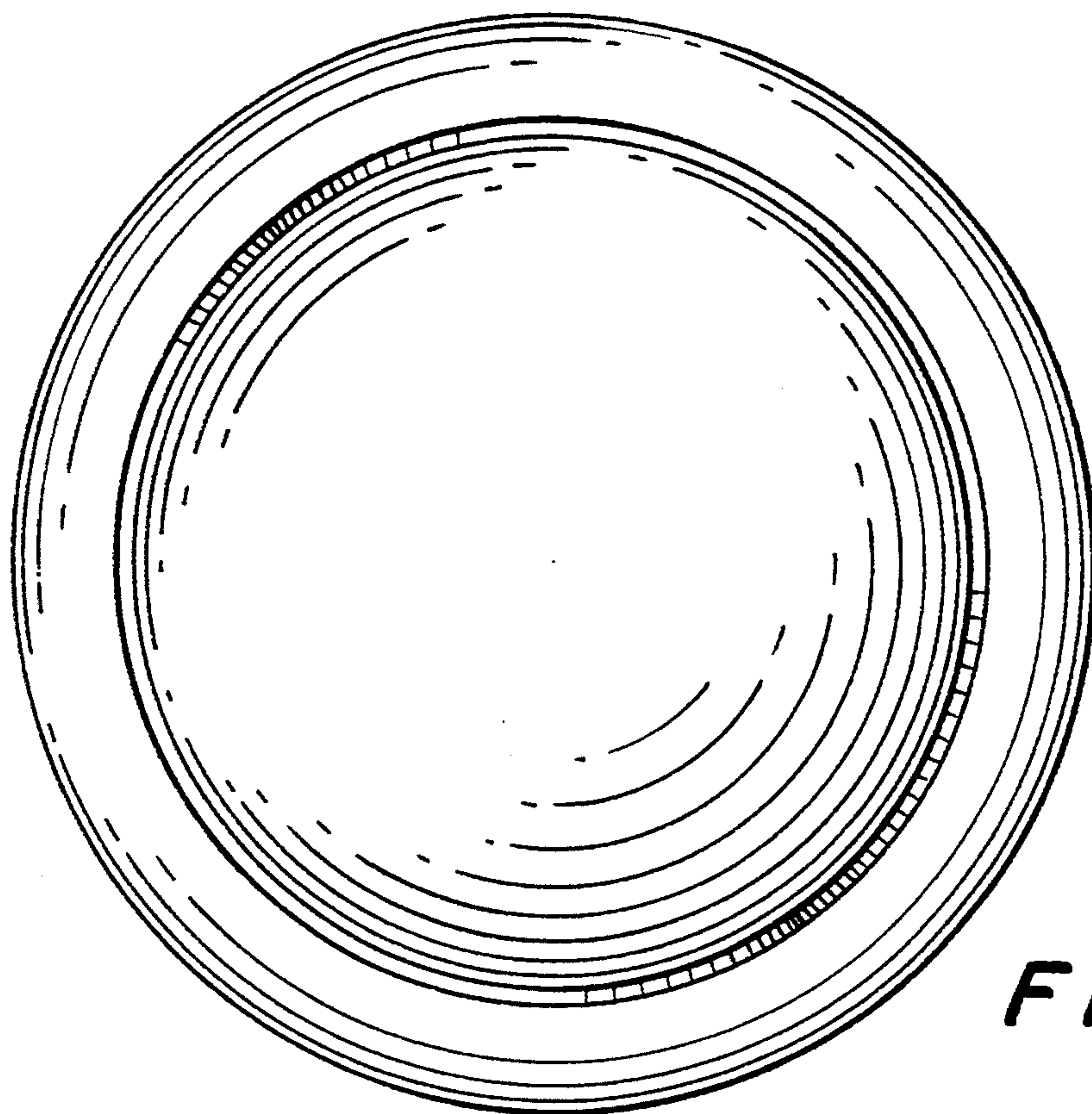
**DESCRIPTION**

FIG. 1 is a top and side perspective view of the dispenser for air treating material showing our new design in closed position;  
FIG. 2 is an enlarged top plan view thereof;  
FIG. 3 is an enlarged side elevational view thereof, the opposite side being a mirror image of that shown;  
FIG. 4 is an enlarged bottom plan view thereof; and,  
FIG. 5 is an enlarged side elevational view of the dispenser for air treating material in open position, the opposite side being a mirror image of that shown.

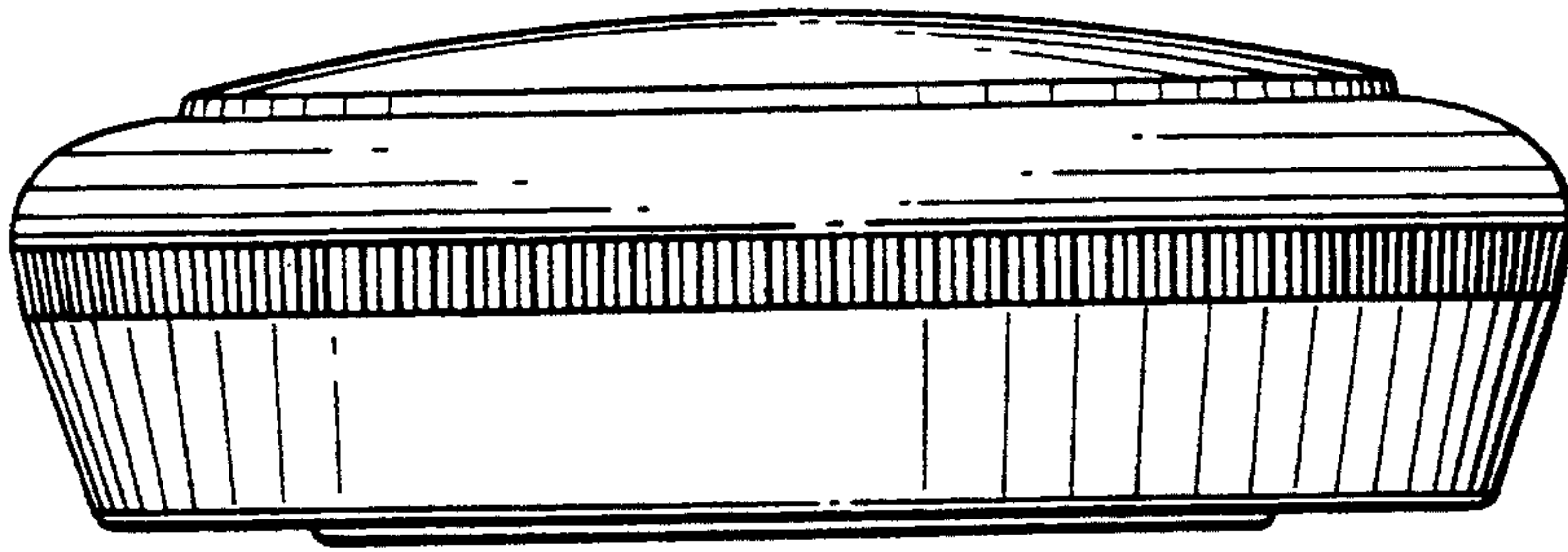




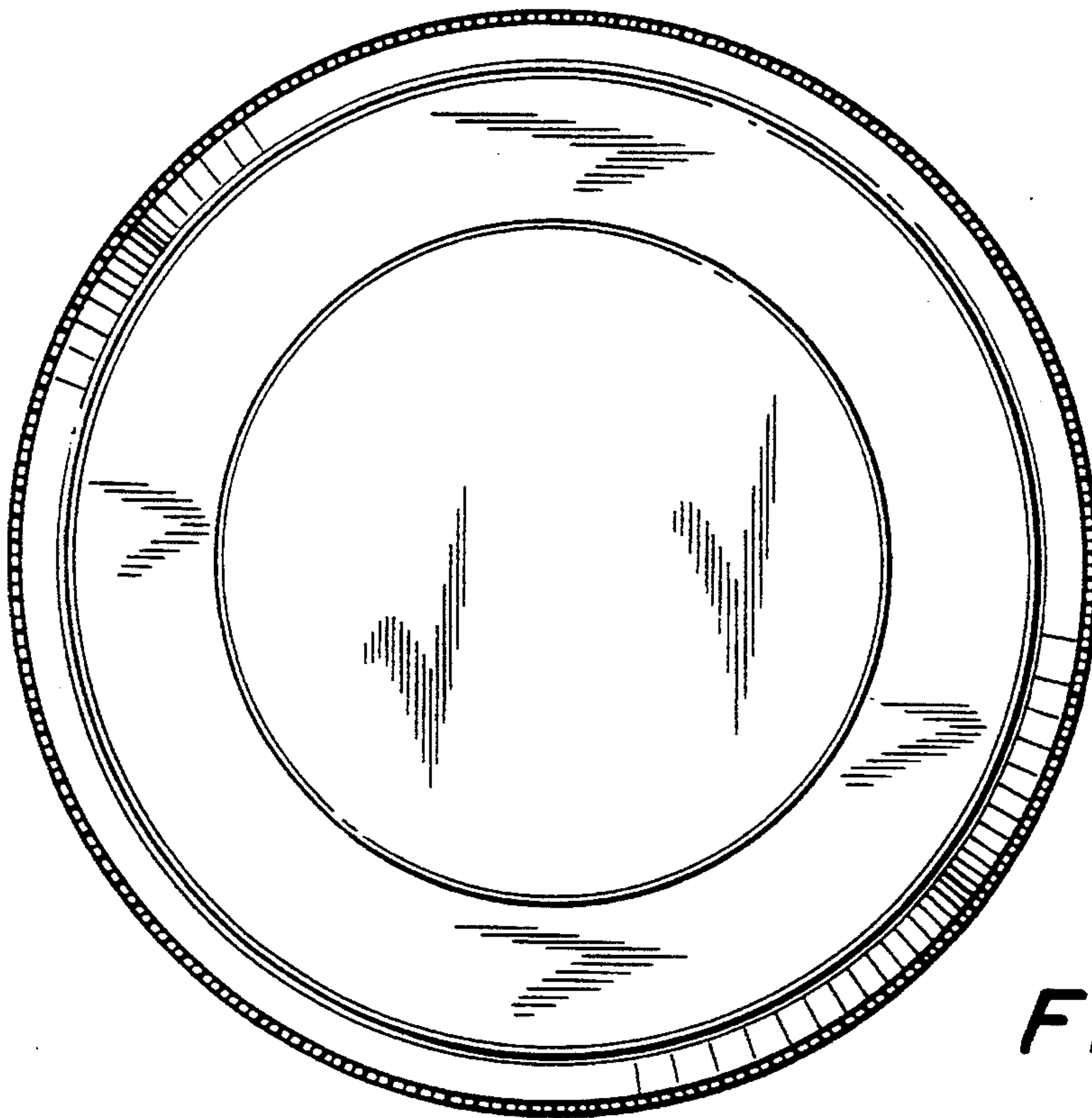
*FIG. 1*



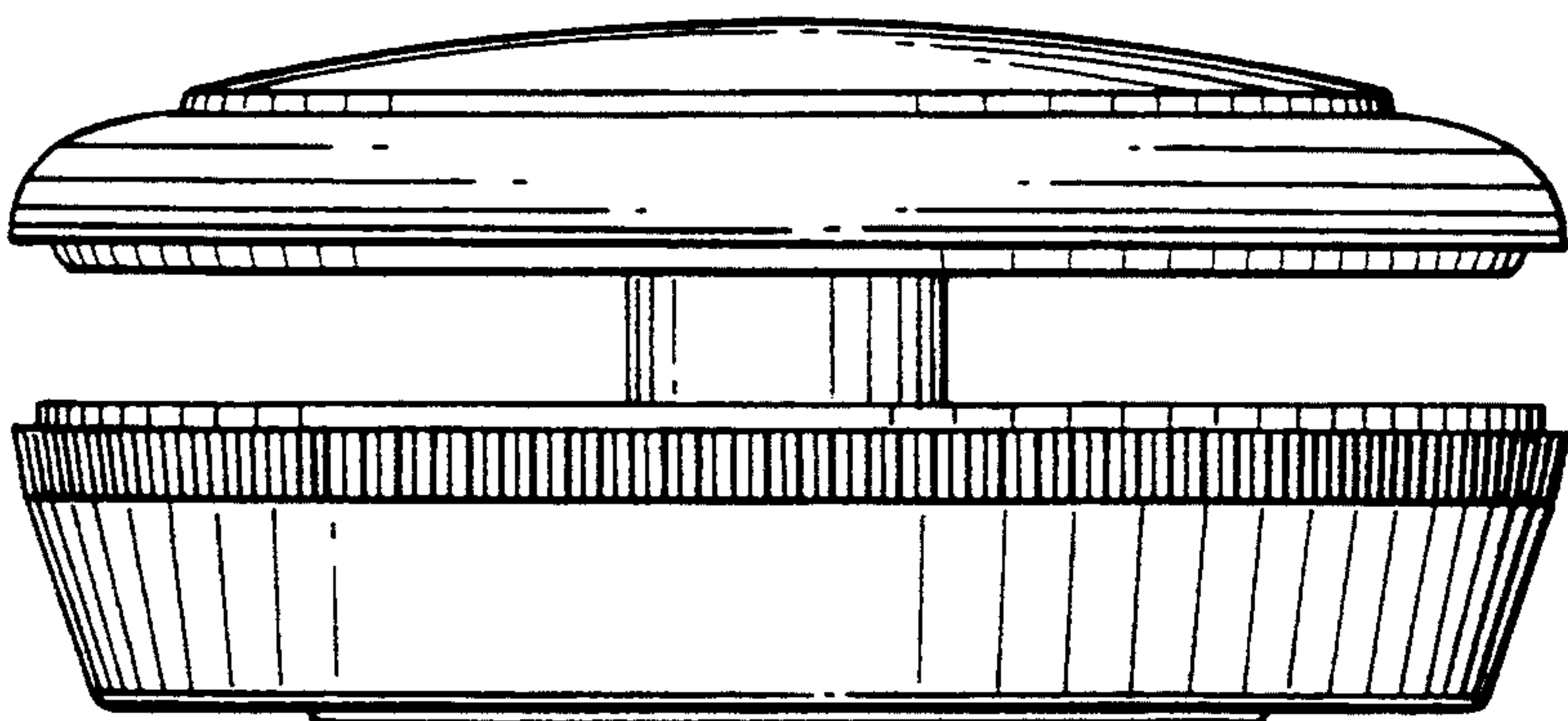
*FIG. 2*



*FIG. 3*



*FIG. 4*



*FIG. 5*