



US00D350190S

# United States Patent [19]

Clawson et al.

[11] Patent Number: **Des. 350,190**

[45] Date of Patent: **\*\* Aug. 30, 1994**

## [54] HUMIDIFIER MANIFOLD FOR A VENTILATOR BREATHING CIRCUIT

[76] Inventors: **Burrell E. Clawson, 2425 Sunset Dr.; James Weigl, 18815 Hermosa St., both of Riverside, Calif. 92506**

[\*\*] Term: **14 Years**

[21] Appl. No.: **10,125**

[22] Filed: **Jun. 29, 1993**

[52] U.S. Cl. .... **D23/358; D24/110; D24/129**

[58] Field of Search ..... 392/386, 394, 395, 400, 392/401-403; 261/DIG. 65, 104; 128/200.14, 200.21, 200.18, 200.16, 203.25, 203.26, 203.27, 203.16, 203.17; D23/356-363; D24/129, 110

### [56] References Cited

#### U.S. PATENT DOCUMENTS

D. 276,369	11/1984	Clawson et al. ....	D24/129
D. 282,283	1/1986	Weigl et al. ....	D24/129
1,163,657	12/1915	Hadaway, Jr. ....	392/403
2,961,226	11/1960	Goettl ....	261/29
3,820,540	6/1974	Hirtz et al. ....	128/203.27
3,873,806	3/1975	Schossow ....	392/402
3,874,379	4/1975	Enfield et al. ....	261/DIG. 65
3,903,883	9/1975	Pecina et al. ....	128/200.21
4,007,737	2/1977	Paluch ....	128/201.13
4,051,205	9/1977	Grant ....	261/70
4,108,953	8/1978	Rocco ....	261/142
4,192,836	3/1980	Bartscher et al. ....	261/142
4,201,204	5/1980	Rinne et al. ....	128/203.27
4,225,542	9/1980	Wall et al. ....	261/142
4,564,748	1/1986	Gupton ....	219/497
4,567,353	1/1986	Aiba ....	219/501
4,593,670	6/1986	Nara et al. ....	123/545
4,617,012	10/1986	Vaillancourt ....	D24/129
4,618,462	10/1986	Fisher ....	261/130
4,652,408	3/1987	Montgomery ....	261/130
4,676,237	6/1987	Wood et al. ....	128/203.17

4,708,831	11/1987	Elsworth et al. ....	261/130
4,753,758	6/1988	Miller ....	261/139
4,910,384	3/1990	Silver ....	392/396
5,062,145	10/1991	Zwaan et al. ....	392/396

### FOREIGN PATENT DOCUMENTS

2250542	7/1975	France .	
1223930	3/1971	United Kingdom .....	261/142

*Primary Examiner*—Wallace R. Burke

*Assistant Examiner*—Lisa Lichtenstein

*Attorney, Agent, or Firm*—Gordon L. Peterson; Frank J. Uxa, Jr.

### [57] CLAIM

The ornamental design for humidifier manifold for a ventilator breathing circuit, as shown.

### DESCRIPTION

FIG. 1 is a perspective view showing the top, front and right side of the humidifier manifold for a ventilator breathing circuit of the present invention;

FIG. 2 is an elevation view showing the front of the humidifier manifold for a ventilator breathing circuit of the present invention;

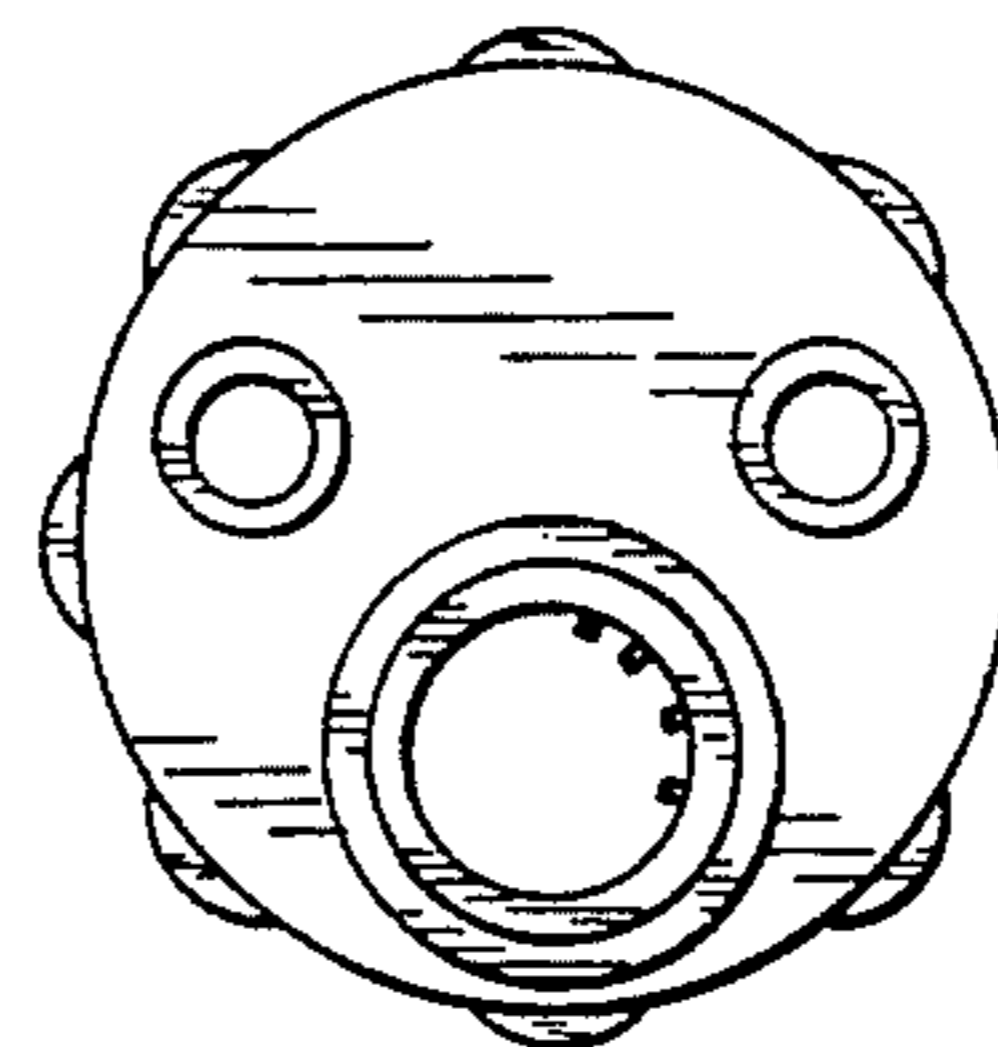
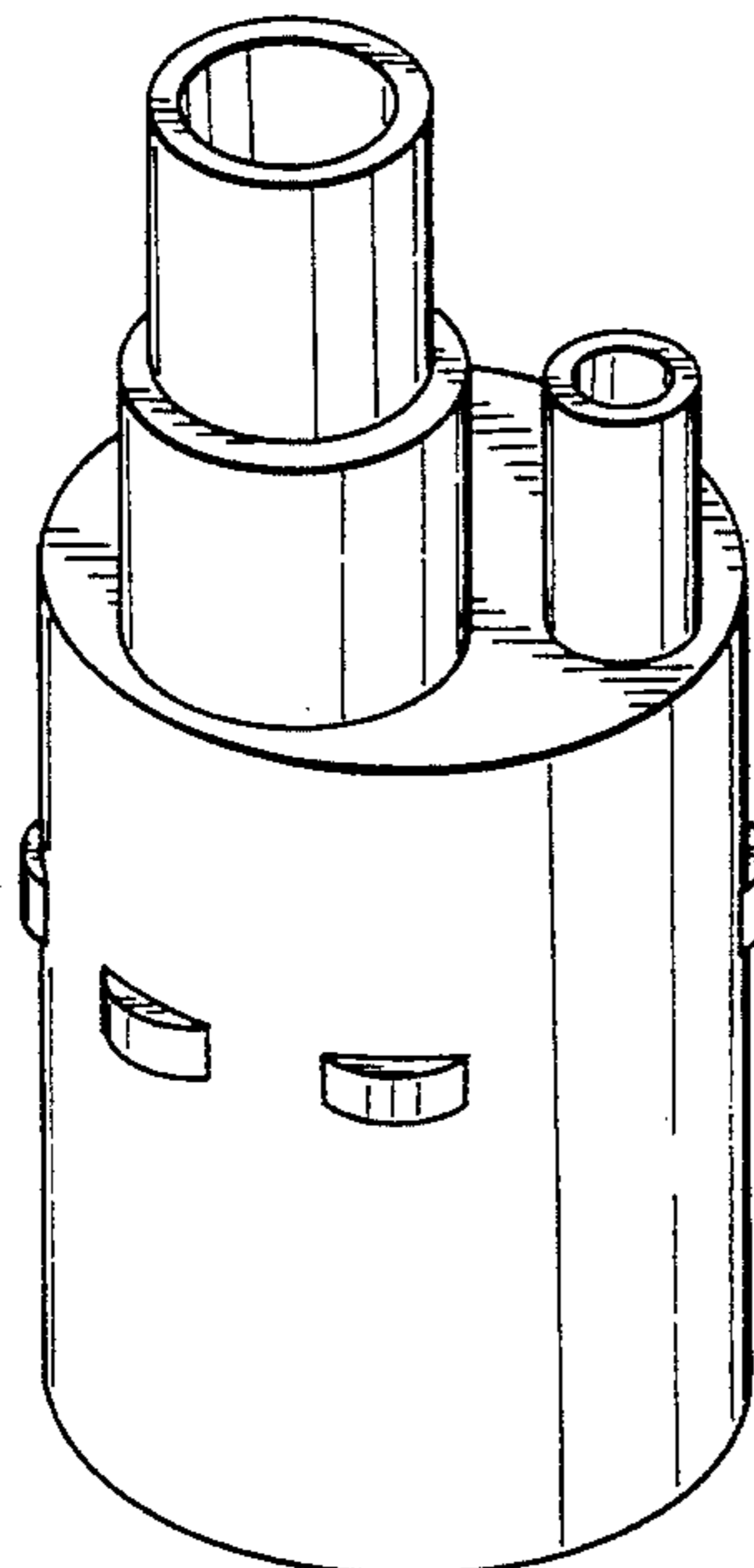
FIG. 3 is an elevation view showing the right side of the humidifier manifold for a ventilator breathing circuit of the present invention;

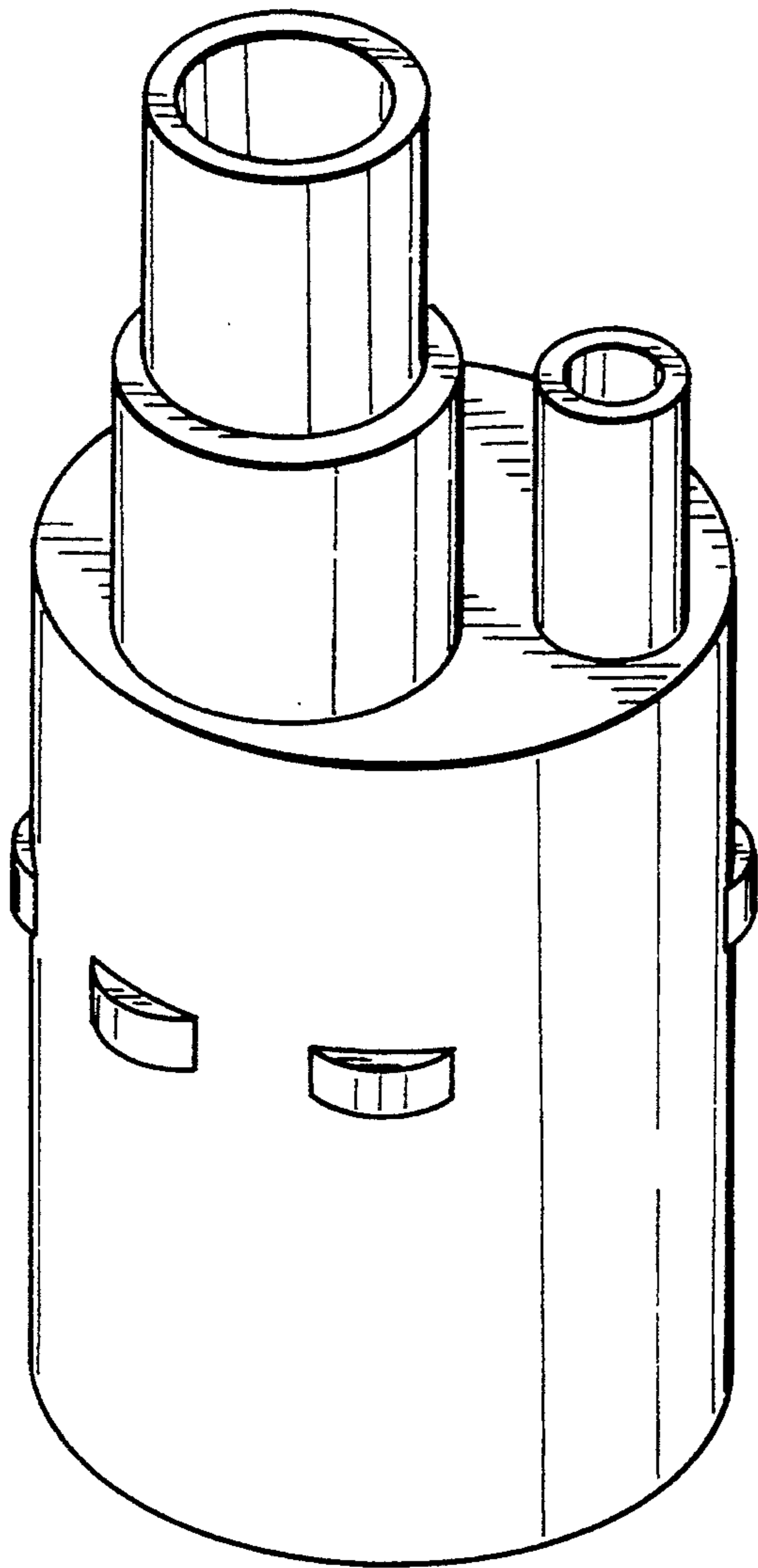
FIG. 4 is a plan view showing the top of the humidifier manifold for a ventilator breathing circuit of the present invention;

FIG. 5 is an elevation view showing the left side of the humidifier manifold for a ventilator breathing circuit of the present invention;

FIG. 6 is an elevation view showing the back of the humidifier manifold for a ventilator breathing circuit of the present invention; and,

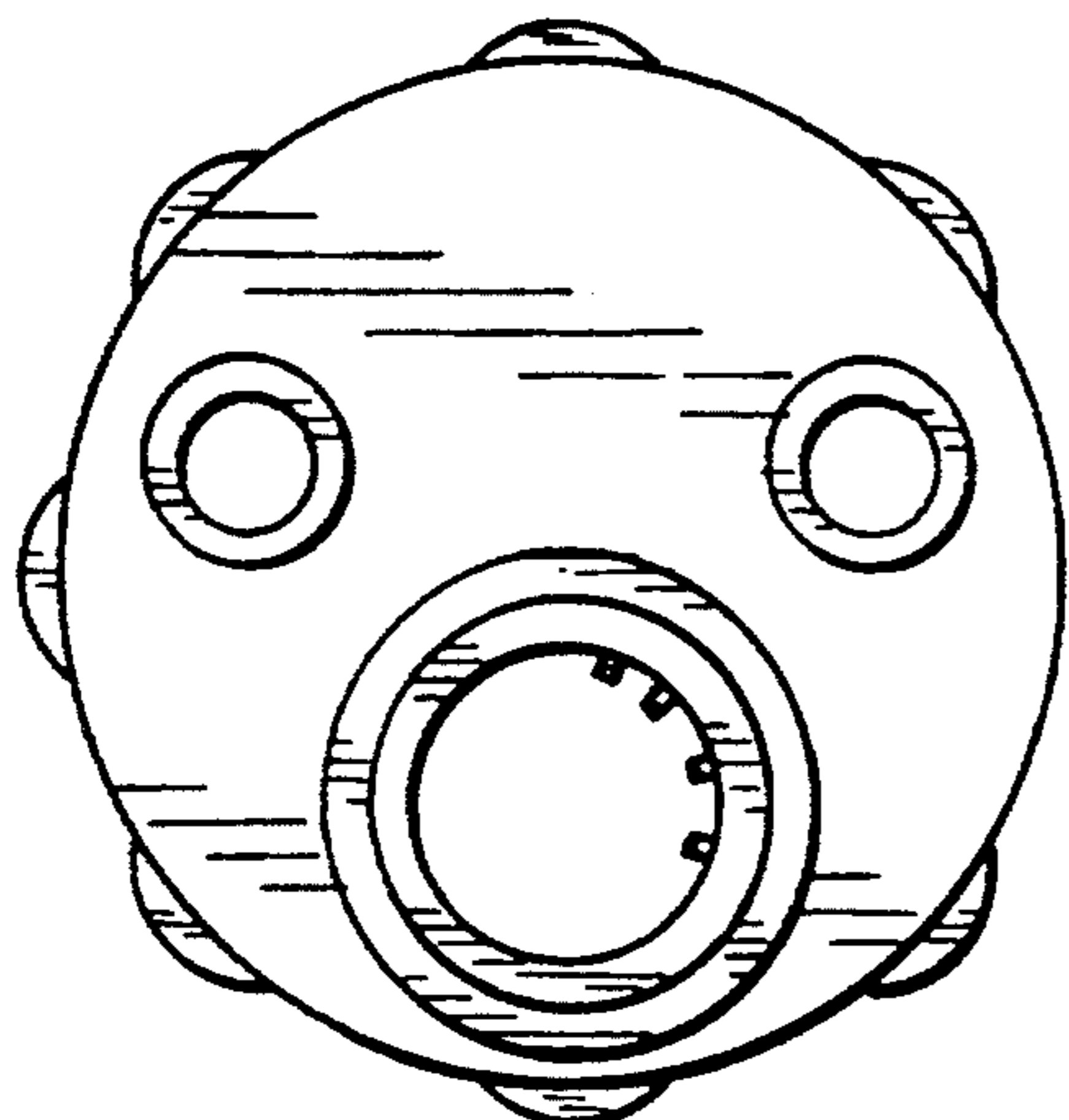
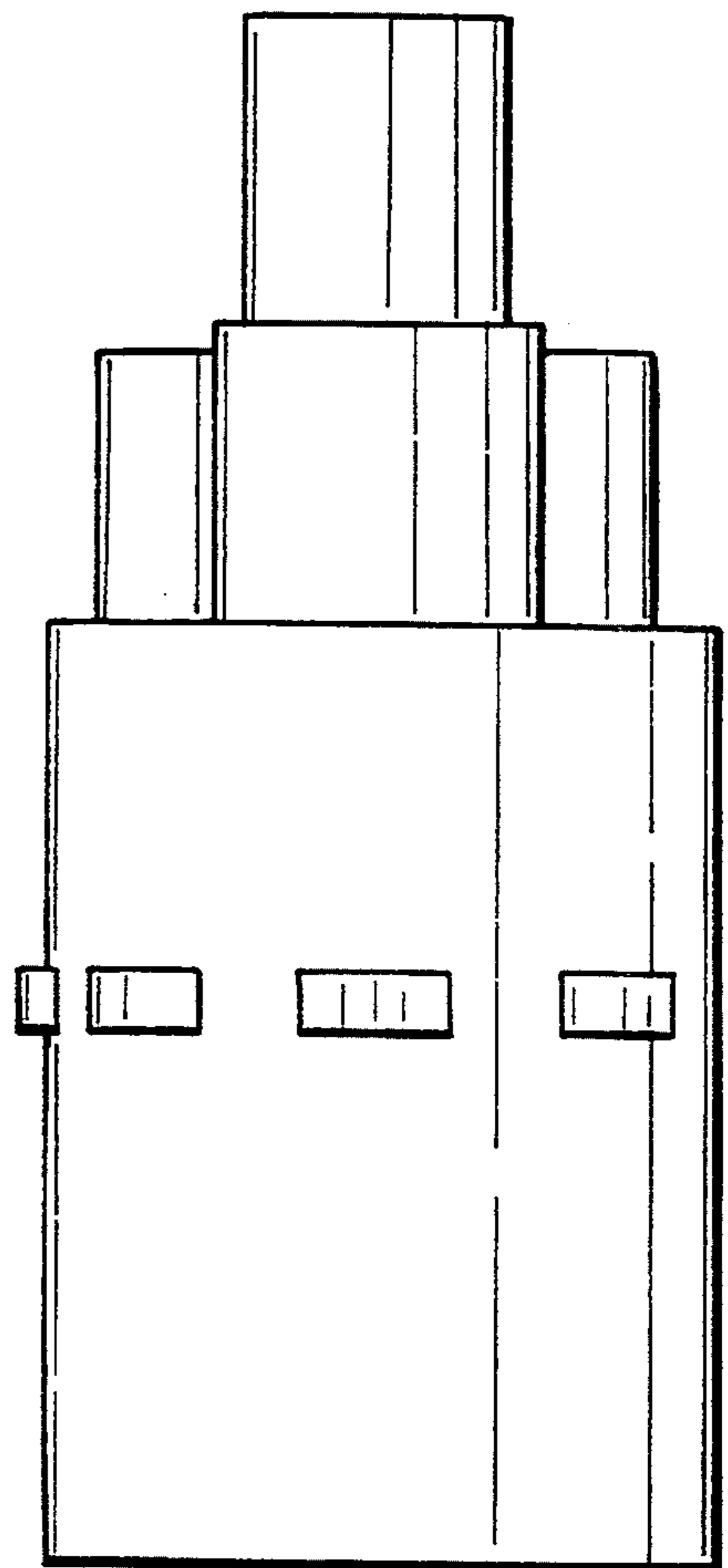
FIG. 7 is a plan view showing the bottom of the humidifier manifold for a ventilator breathing circuit of the present invention.





*Fig. 1*

*Fig. 2*



*Fig. 4*

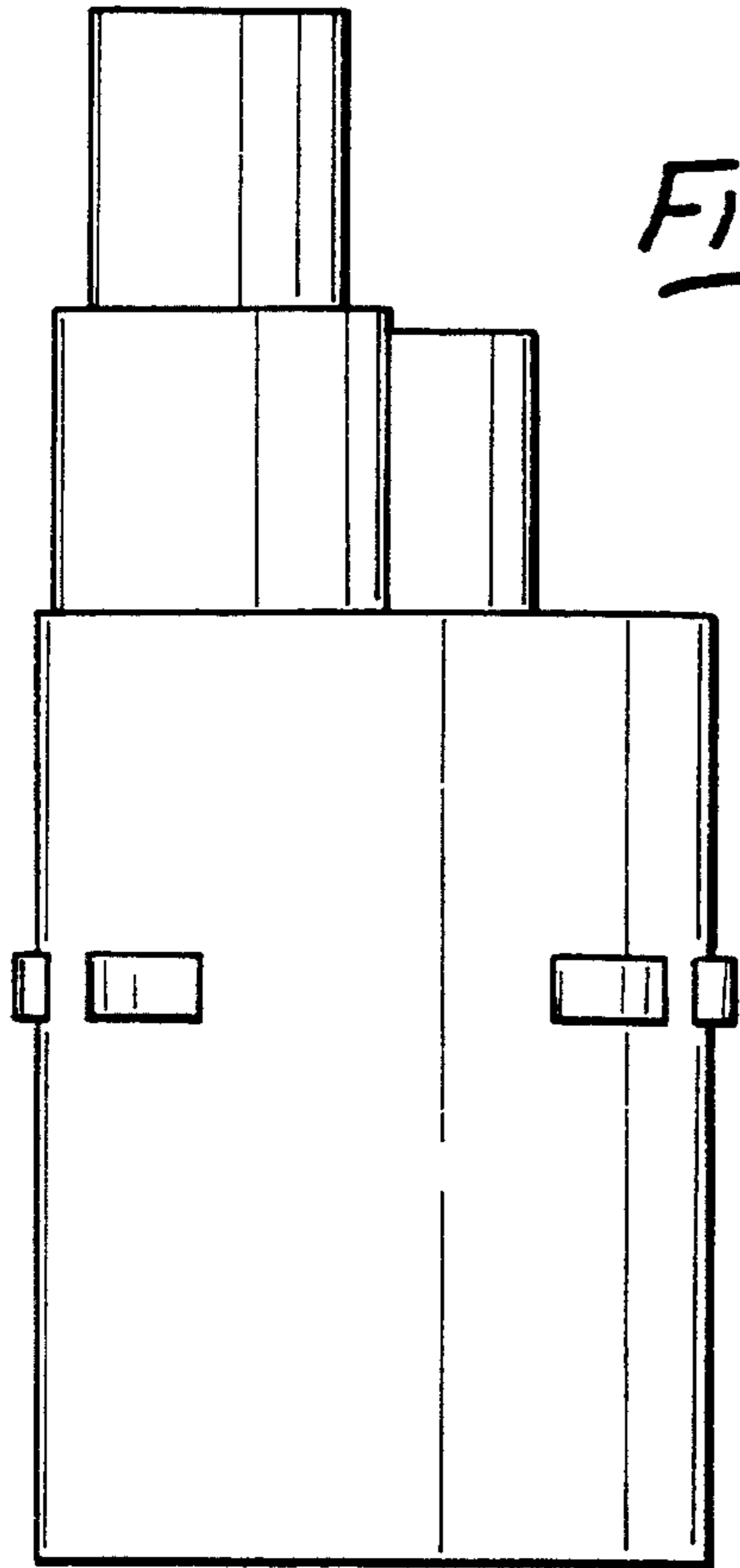


Fig. 3

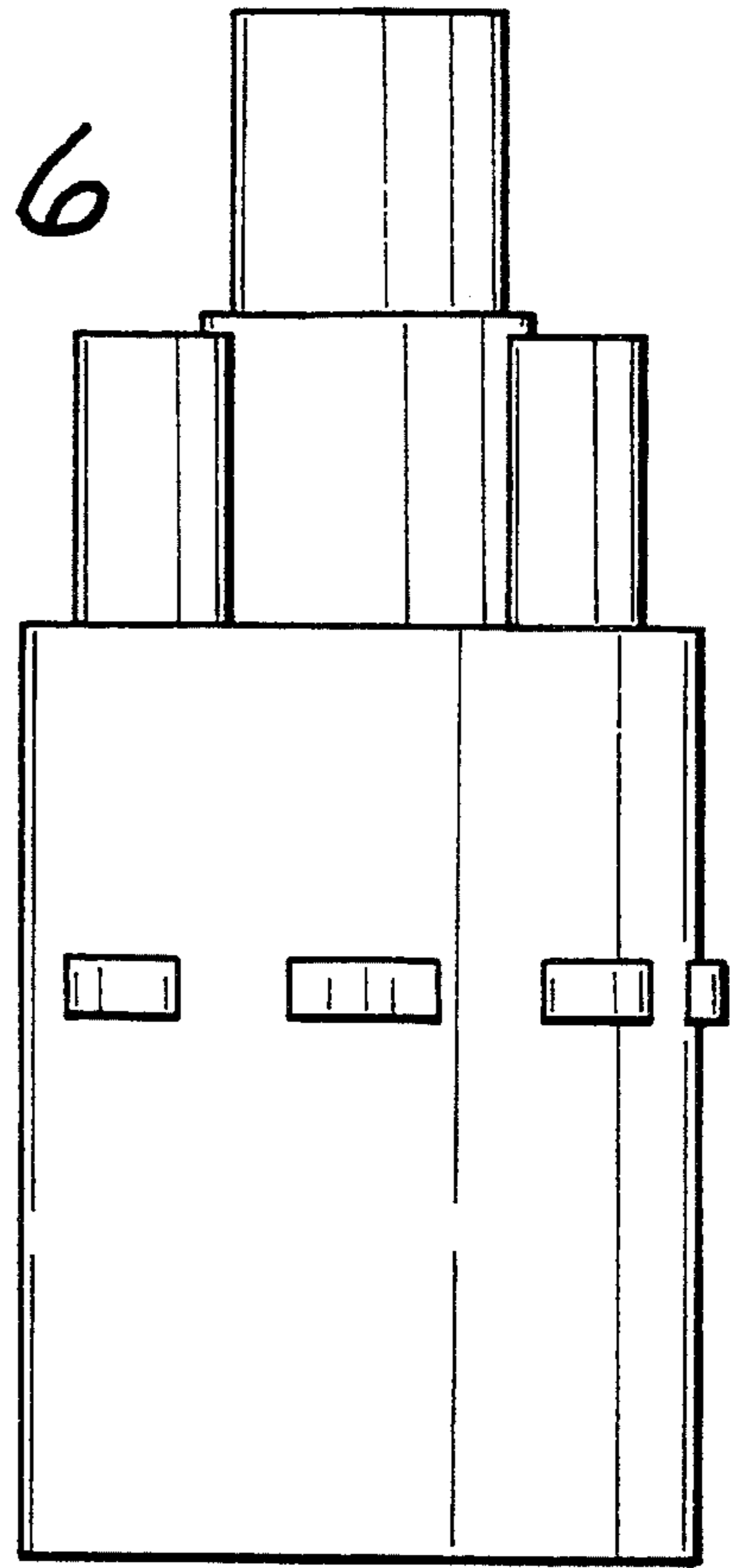


Fig. 6

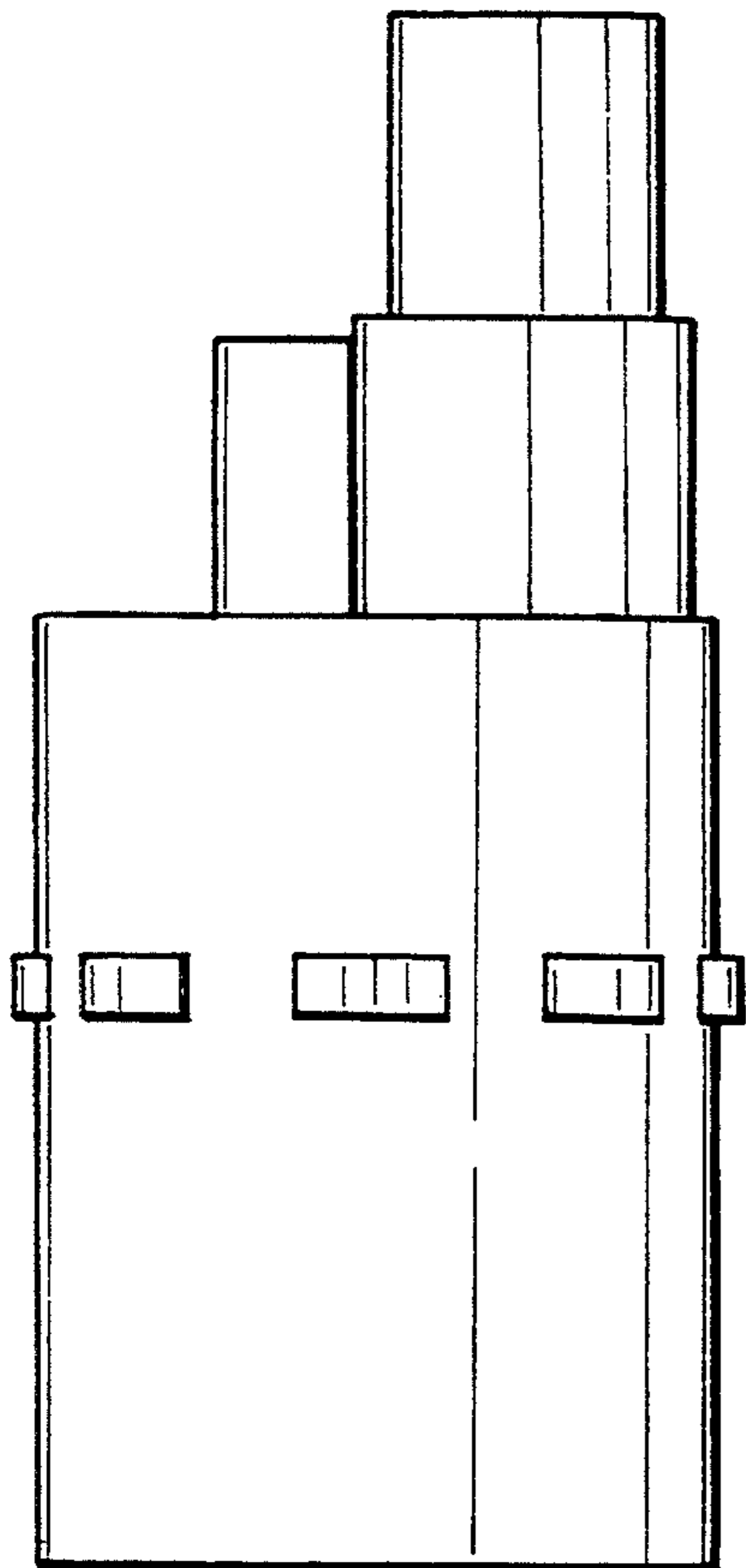


Fig. 5

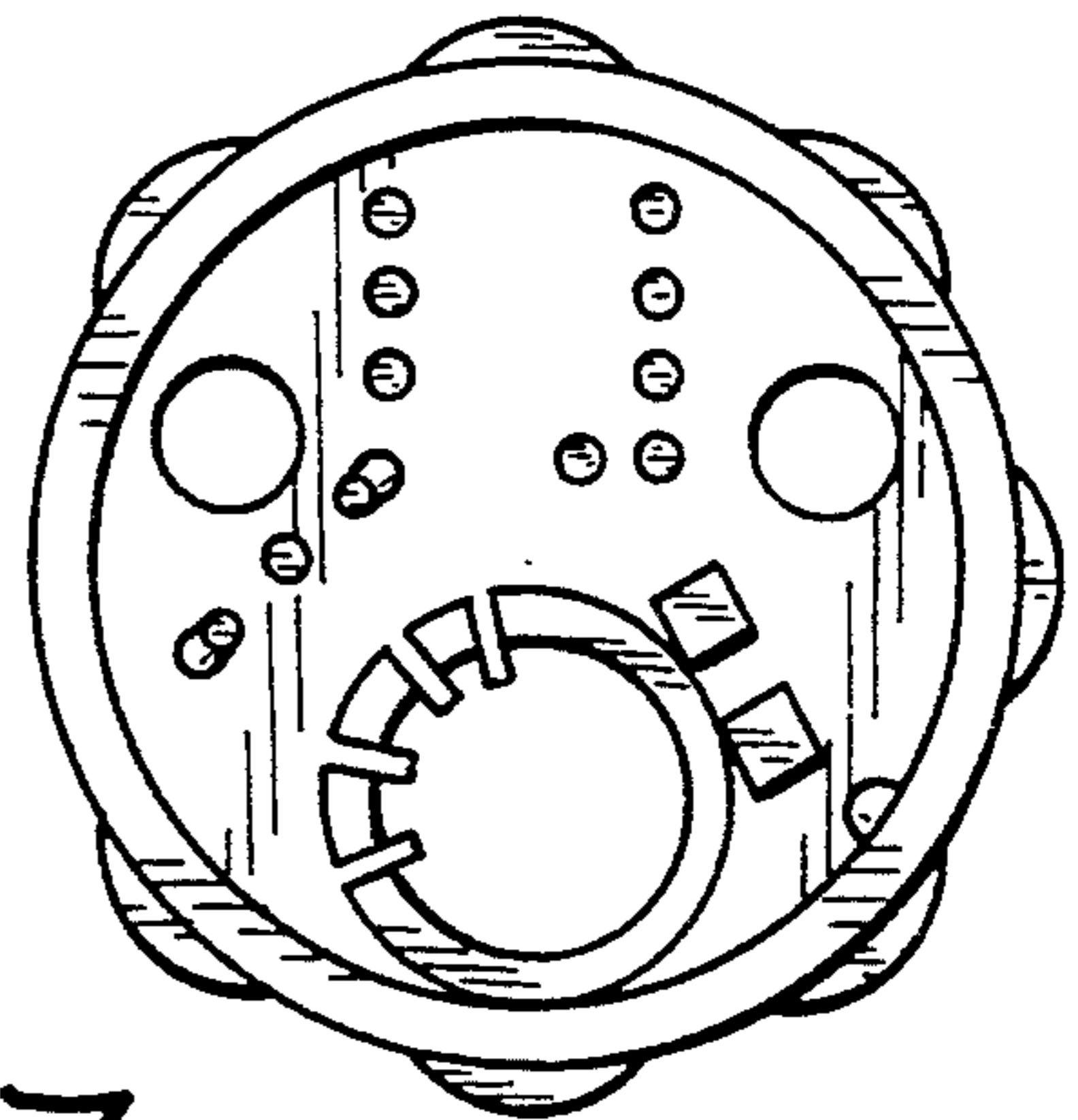


Fig. 7