



US00D350187S

# United States Patent [19]

[11] Patent Number: **Des. 350,187**

Landes

[45] Date of Patent: **\*\* Aug. 30, 1994**

[54] **VENTILATED TOILET SEAT**

[76] Inventor: **Rock A. Landes**, 3384 Hamilton Mill Rd., Buford, Ga. 30518

[\*\*] Term: **14 Years**

[21] Appl. No.: **845,485**

[22] Filed: **Mar. 6, 1992**

[52] U.S. Cl. .... **D23/311**

[58] Field of Search ..... 4/213, 216, 217; D23/303, 309-312, 366-369, 371, 386, 387, 393

4,365,361	12/1982	Sanstrom .	
4,402,091	9/1983	Ellis et al. ....	4/217
4,434,938	3/1984	Rosenkranz .....	4/661
4,617,687	10/1986	Wadsworth .....	4/213

*Primary Examiner*—James R. Largen  
*Attorney, Agent, or Firm*—Terry M. Gernstein

[57] **CLAIM**

The ornamental design for a ventilated toilet seat, as shown and described.

**DESCRIPTION**

FIG. 1 is a perspective view taken from the top, front and right side of an ventilated toilet seat showing my new design;

FIG. 2 is a front elevational view thereof;

FIG. 3 is a rear elevational view thereof;

FIG. 4 is a left side elevational view thereof;

FIG. 5 is a right side elevational view thereof;

FIG. 6 is a top plan view thereof; and,

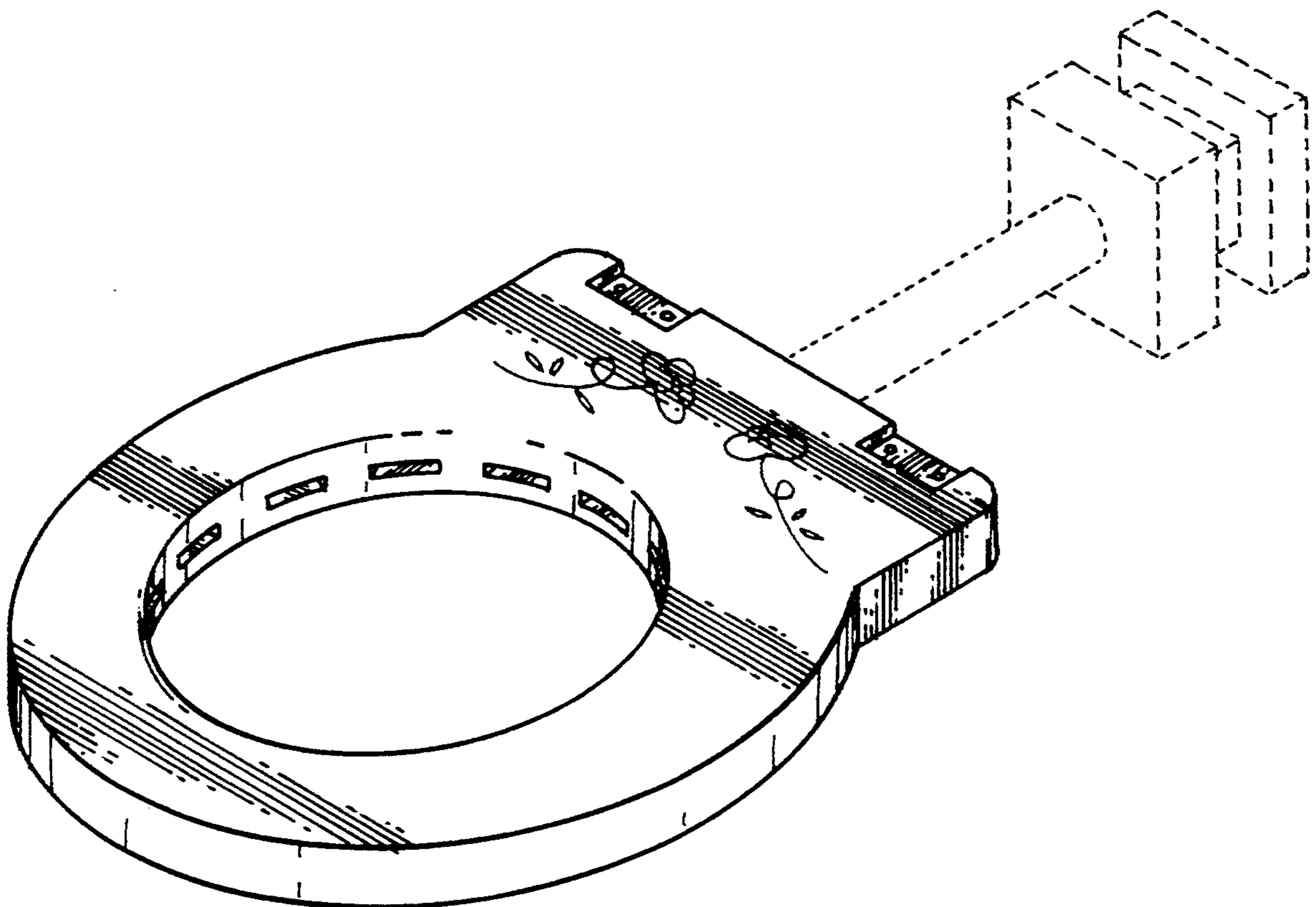
FIG. 7 is a bottom view thereof.

The broken line representation of a ventilating unit in FIG. 1 is for purposes of illustration only and forms no part of the claimed design.

[56] **References Cited**

**U.S. PATENT DOCUMENTS**

D. 326,510	5/1992	Gusta, Jr. ....	D23/311
D. 328,340	7/1992	Boldud .....	D23/311
D. 336,331	6/1993	Arroyo .....	D23/311
D. 342,566	12/1993	Adamowski et al. ....	D23/311
3,277,499	10/1966	Keefauver .	
3,386,109	6/1968	Christian et al. ....	4/213
3,469,267	9/1969	Kokhok .....	4/213
3,491,382	1/1970	Poister .....	4/217
3,523,309	8/1970	Munden .....	4/213
4,085,470	8/1978	Roberts .....	4/217



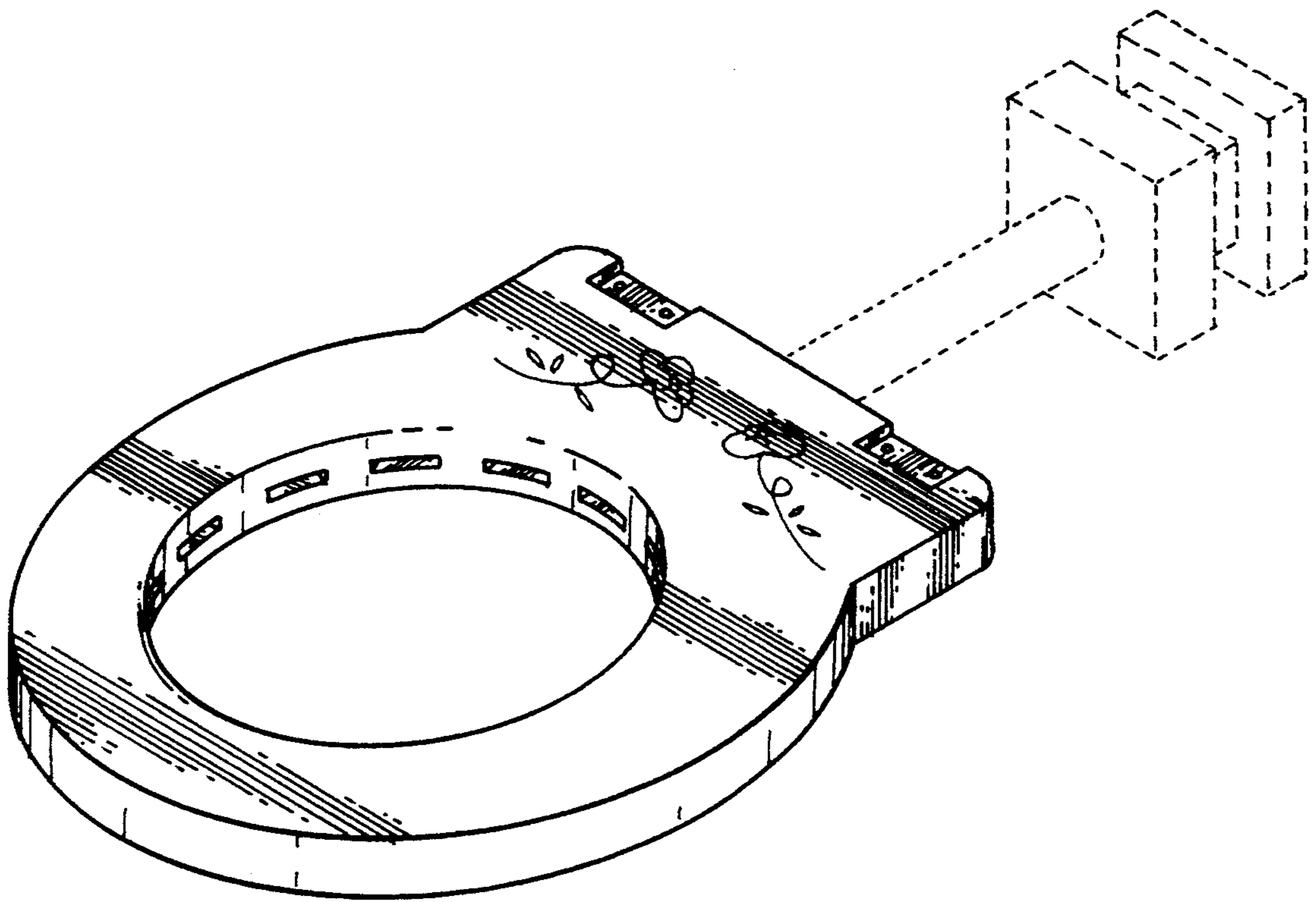


FIG. 1



FIG. 4



FIG. 2



FIG. 5



FIG. 3

FIG. 6

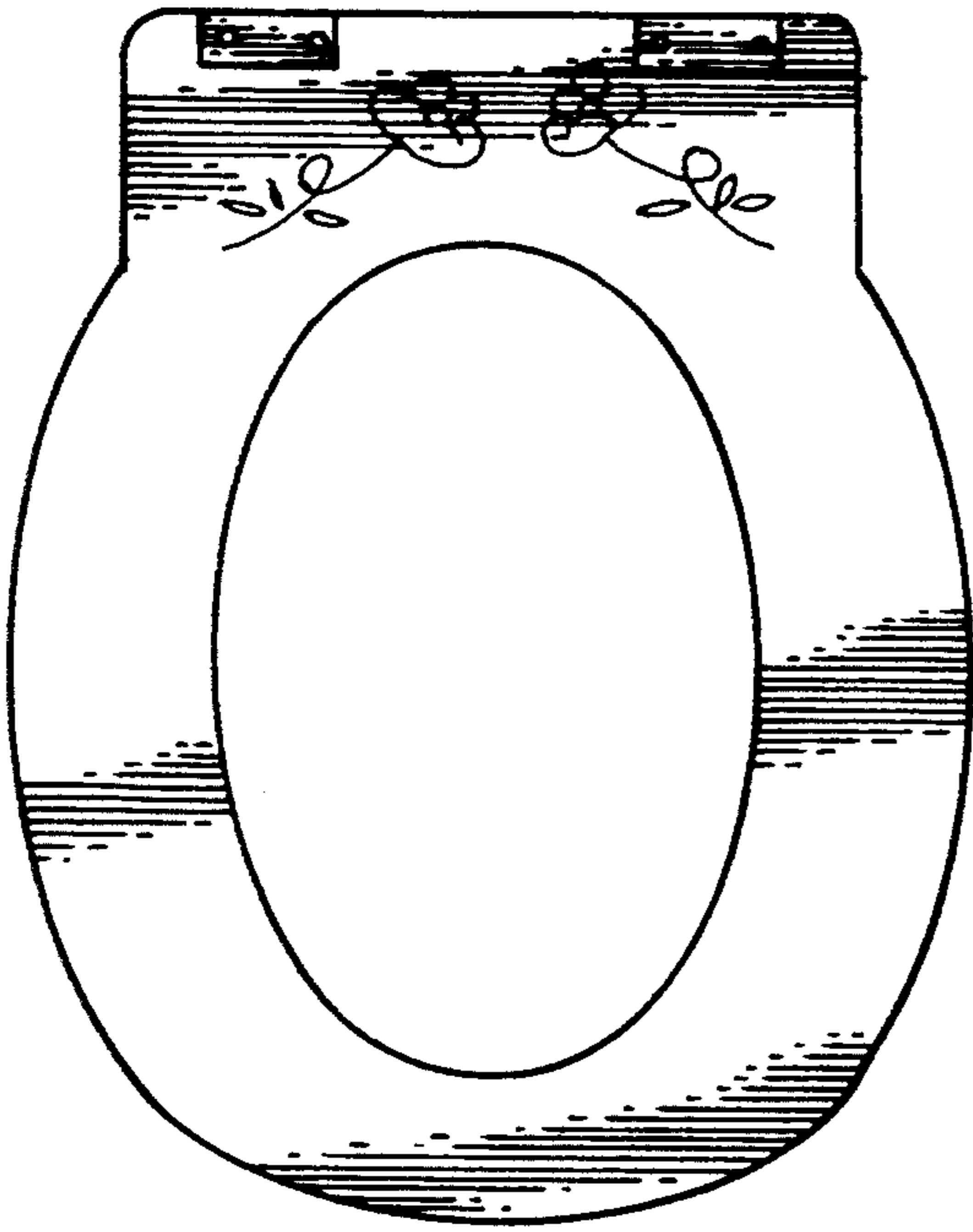


FIG. 7

