



US00D350186S

United States Patent [19]

[11] Patent Number: Des. 350,186

Cook

[45] Date of Patent: ** Aug. 30, 1994

[54] **COMMODE DEODORIZING UNIT**
[76] Inventor: **Clifford M. Cook**, 304 Parkway Dr.,
Chattanooga, Tenn. 37406

4,402,091 9/1983 Ellis et al. 4/217
4,433,441 2/1984 Schroeder 4/217
4,617,687 10/1986 Wadsworth 4/213
4,726,078 2/1988 Carballo et al. 4/213

[**] Term: **14 Years**

Primary Examiner—James R. Largen
Attorney, Agent, or Firm—Terry M. Gernstein

[21] Appl. No.: **838,001**

[57] CLAIM

[22] Filed: **Feb. 21, 1992**

The ornamental design for a commode deodorizer unit,
as shown and described.

[52] U.S. Cl. **D23/309; D23/371;**
D23/393

DESCRIPTION

[58] Field of Search 4/213, 216, 217;
D23/303, 309-312, 366-369, 371, 386, 387, 393

FIG. 1 is a perspective view taken from the top, front
and right side of a commode deodorizing unit showing
my new design;

[56] References Cited

U.S. PATENT DOCUMENTS

D. 215,937	11/1969	Meyer	D23/311
D. 234,951	4/1975	Couton	D23/311
D. 326,510	5/1992	Gusta, Jr.	D23/311
D. 328,340	7/1992	Boldue	D23/311
D. 342,566	12/1993	Adamowski et al.	D23/311
2,696,619	12/1954	Ring	.	
3,277,499	10/1966	Keefauver	.	
4,085,470	4/1978	Roberts	4/217 X
4,200,940	5/1980	Buchanan	4/213 X

FIG. 2 is a front elevational view thereof;

FIG. 3 is a rear elevational view thereof;

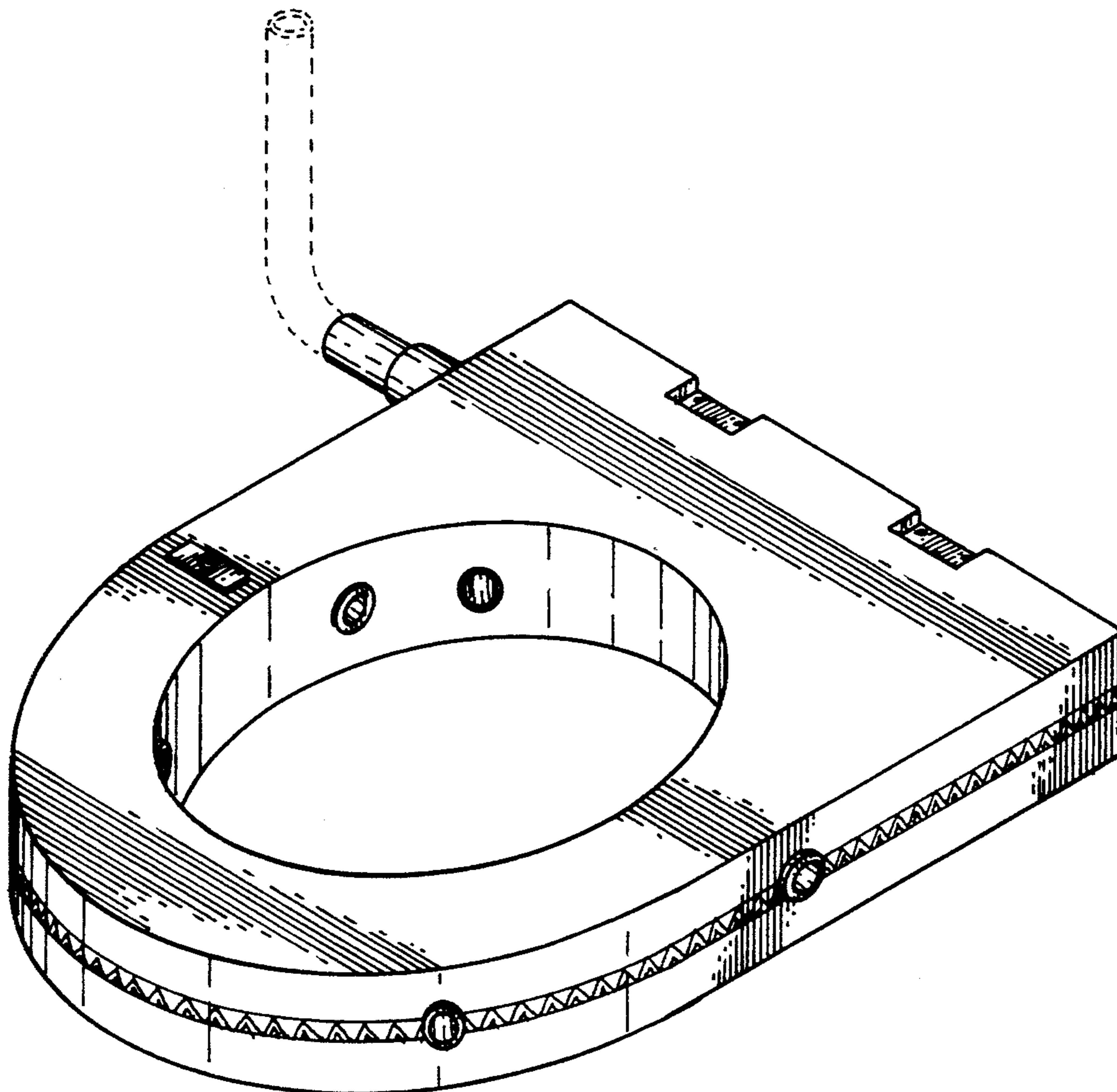
FIG. 4 is a left side elevational view thereof;

FIG. 5 is a right side elevational view thereof;

FIG. 6 is a top plan view thereof; and,

FIG. 7 is a bottom view thereof.

The broken line representation of a ventilating tube in
FIG. 1 is for purposes of illustration only and forms no
part of the claimed design. The electric cord is broken
away in FIGS. 3, 4, 6 and 7 for convenience of illustra-
tion.



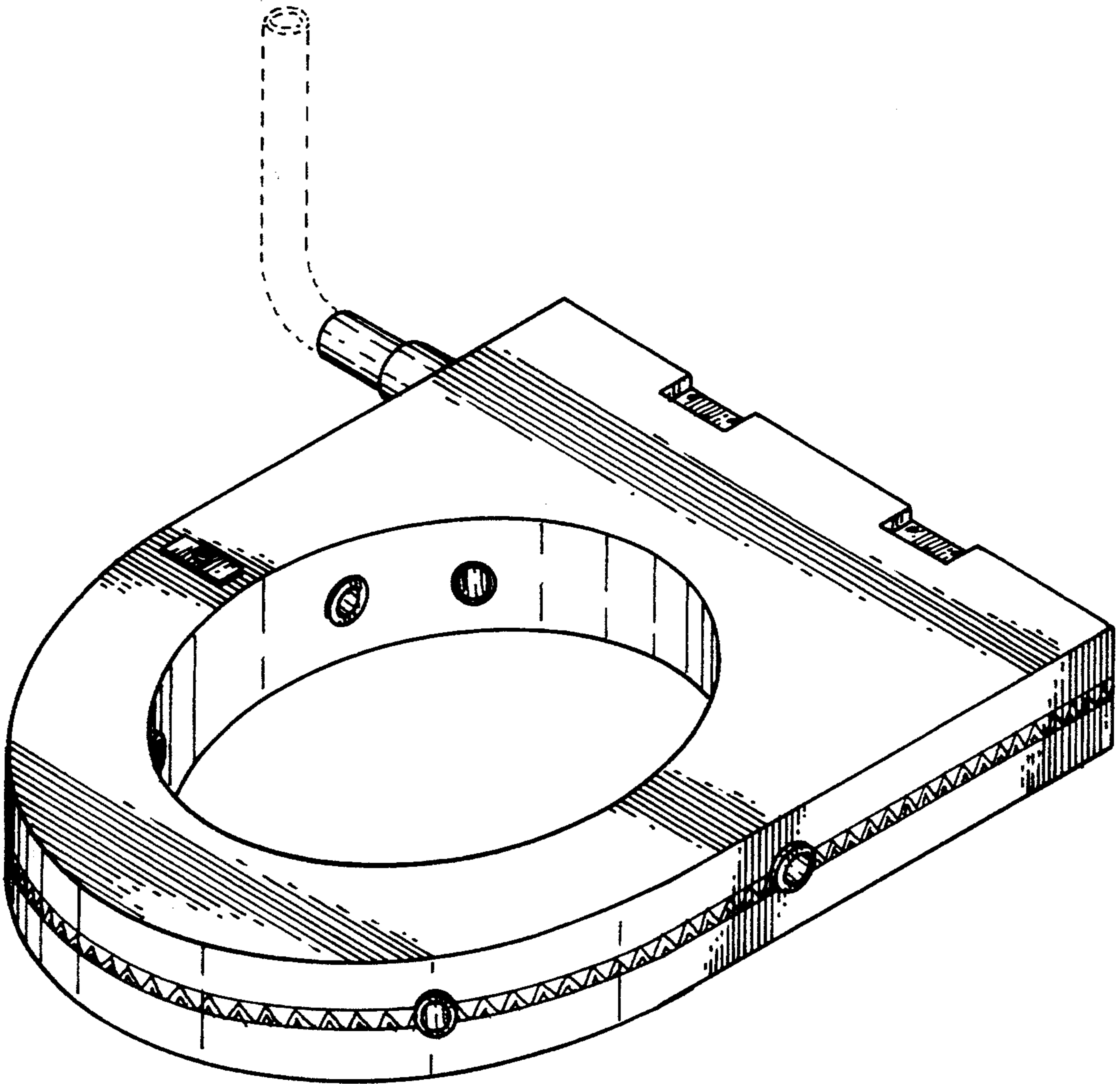


FIG. 1

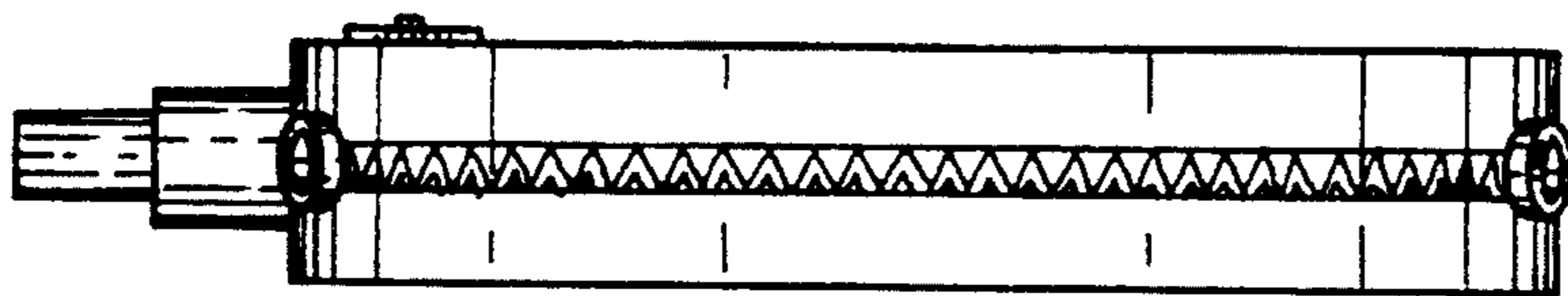


FIG. 2

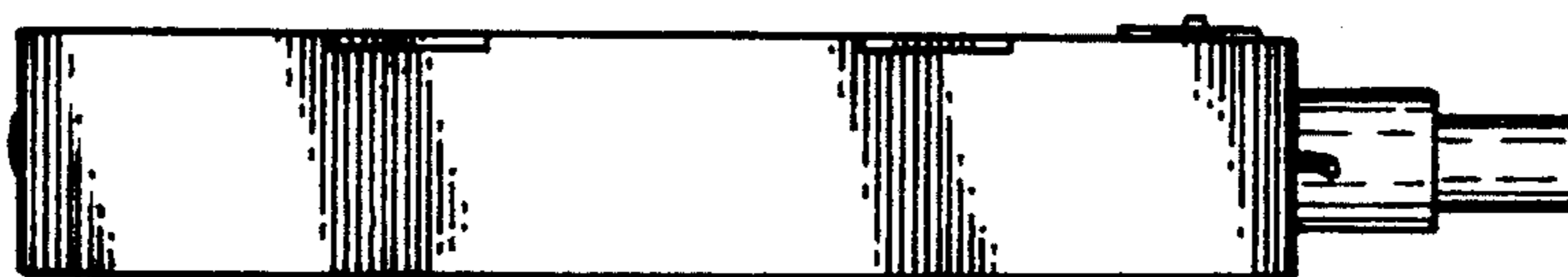


FIG 3

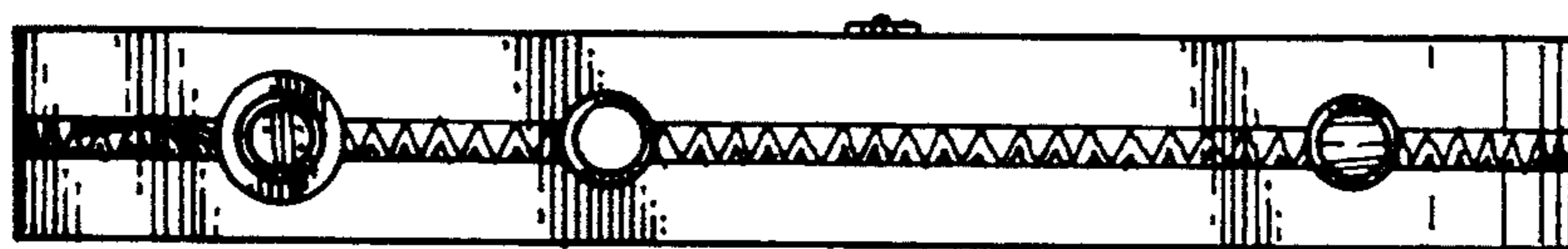


FIG. 4

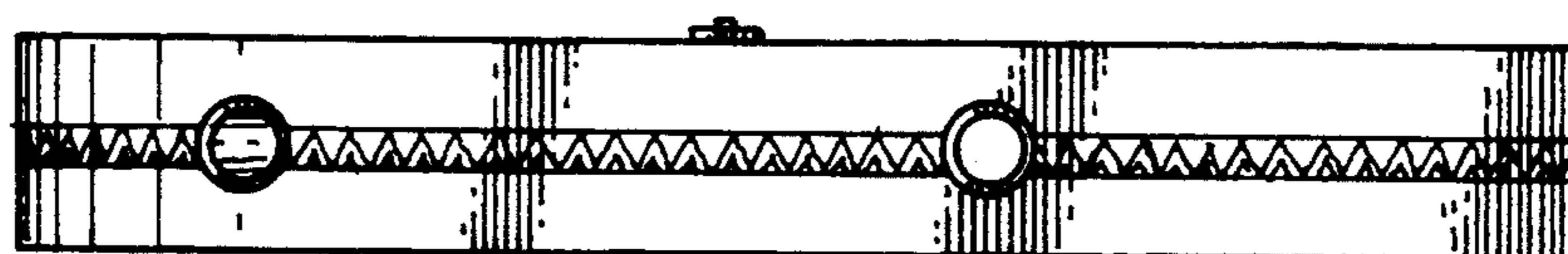


FIG. 5

FIG. 6

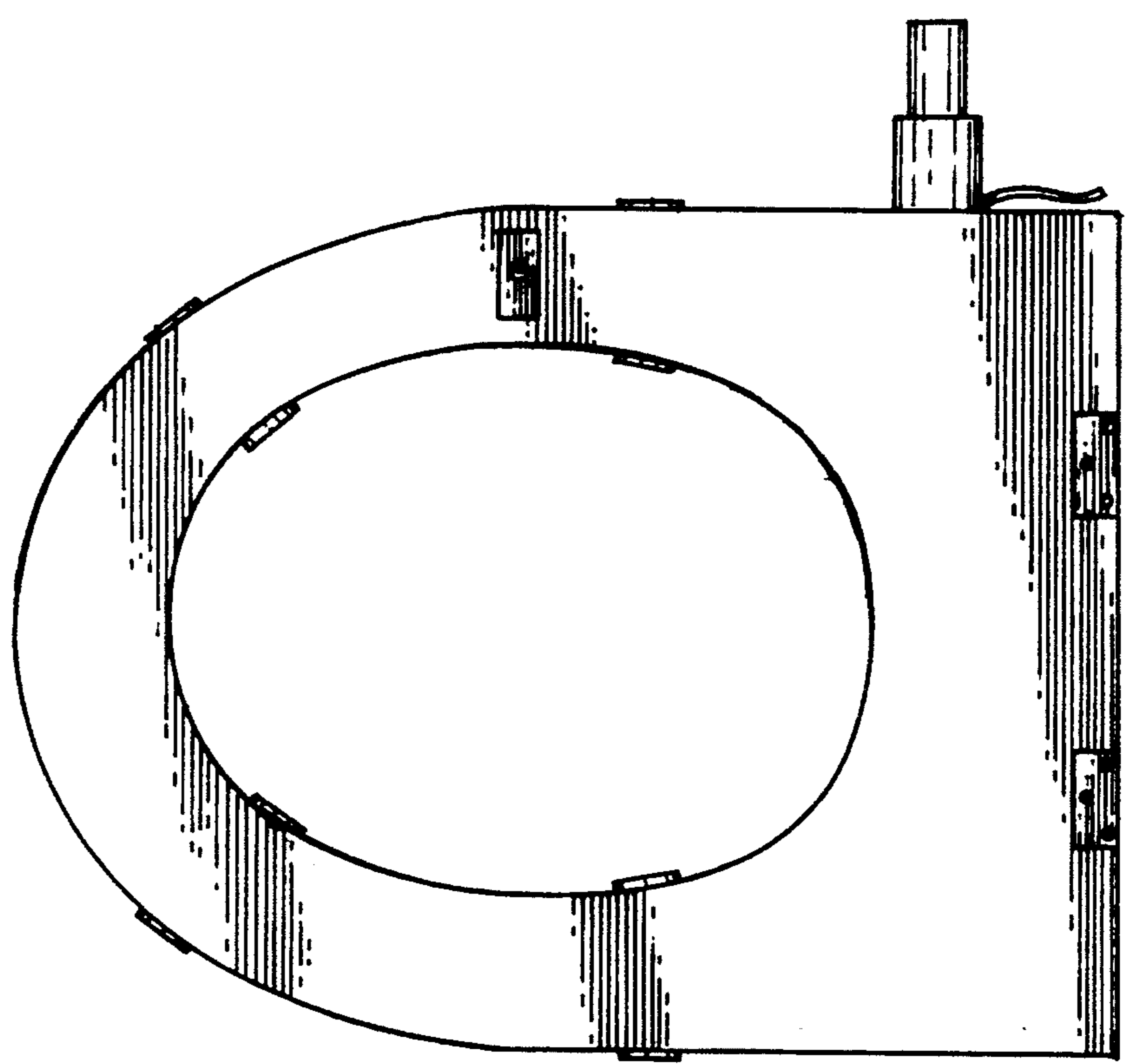


FIG. 7

