



US00D350183S

United States Patent [19]

[11] Patent Number: **Des. 350,183**

Joerger

[45] Date of Patent: **** Aug. 30, 1994**

[54] **LAVATORY FAUCET SET**

[76] Inventor: **Gerhard E. Joerger**, Ingenieur,
Schauinsland 29, D-6905
Schriesheim, Fed. Rep. of Germany

D. 300,942 5/1989 Paul D23/242
D. 311,438 10/1990 Strignano D23/242
D. 312,495 11/1990 Joerger D23/242
D. 323,375 1/1992 Razumov D23/242
3.415,280 12/1968 Bucknell et al. 137/625.17

[**] Term: **14 Years**

Primary Examiner—James R. Largen
Attorney, Agent, or Firm—Jordan and Hamburg

[21] Appl. No.: **932,038**

[57] **CLAIM**

[22] Filed: **Aug. 18, 1992**

The ornamental design for a lavatory faucet set, as shown and described.

[30] **Foreign Application Priority Data**

DESCRIPTION

Feb. 25, 1992 [DE] Fed. Rep. of Germany 9201430

[52] U.S. Cl. **D23/242**

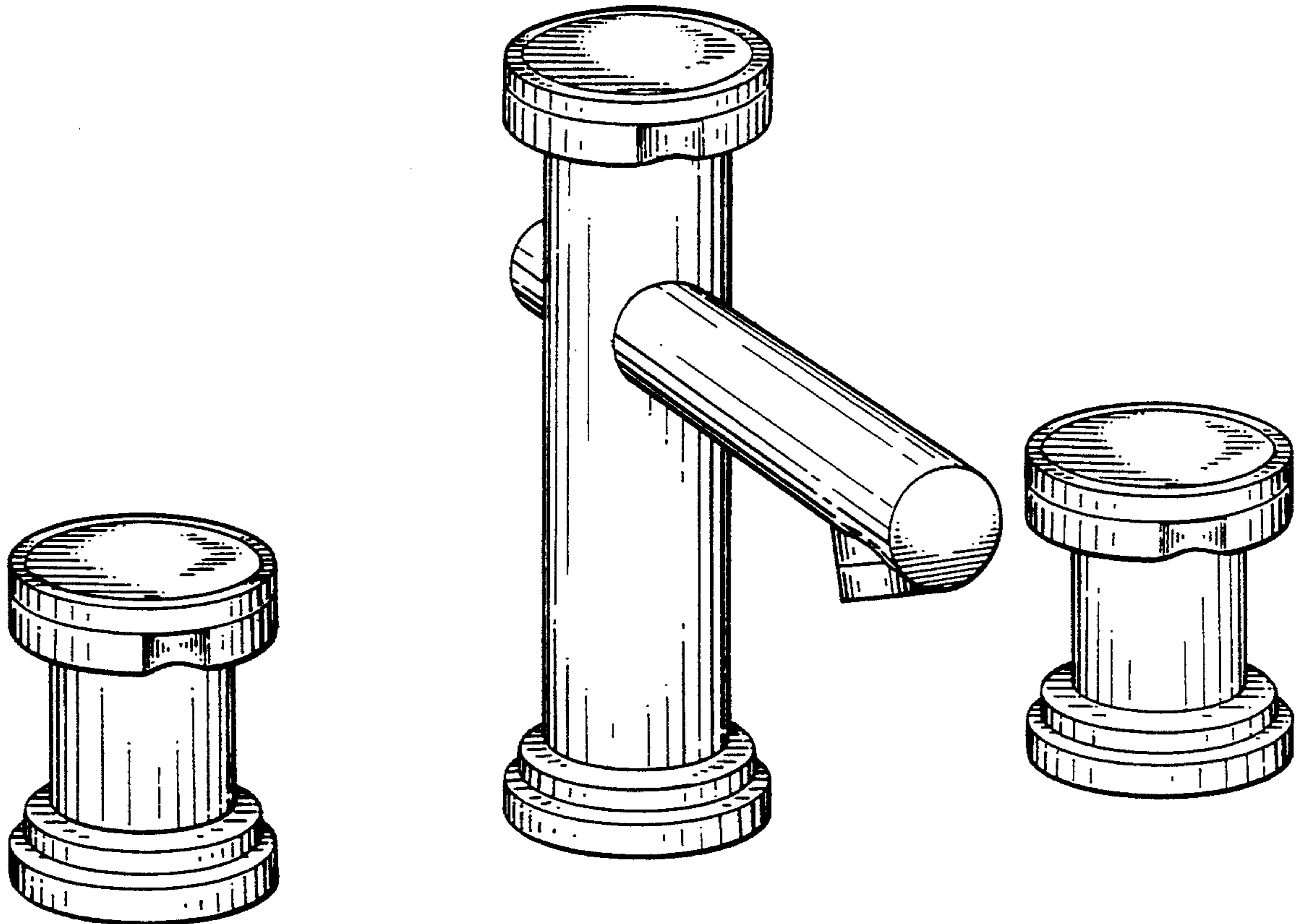
[58] Field of Search 4/675-678;
137/606, 625.17, 801; D23/238-243

FIG. 1 is a top front perspective view of a lavatory faucet set showing my new design; FIG. 2 is a right side elevational view thereof, the left side being a mirror image of the right side; and, FIG. 3 is a rear elevational view thereof. The fragmentary broken line showing of a lavatory in FIG. 3 is for purposes of illustration only and forms no part of the claimed design.

[56] **References Cited**

U.S. PATENT DOCUMENTS

D. 280,543 9/1985 Paul D23/242



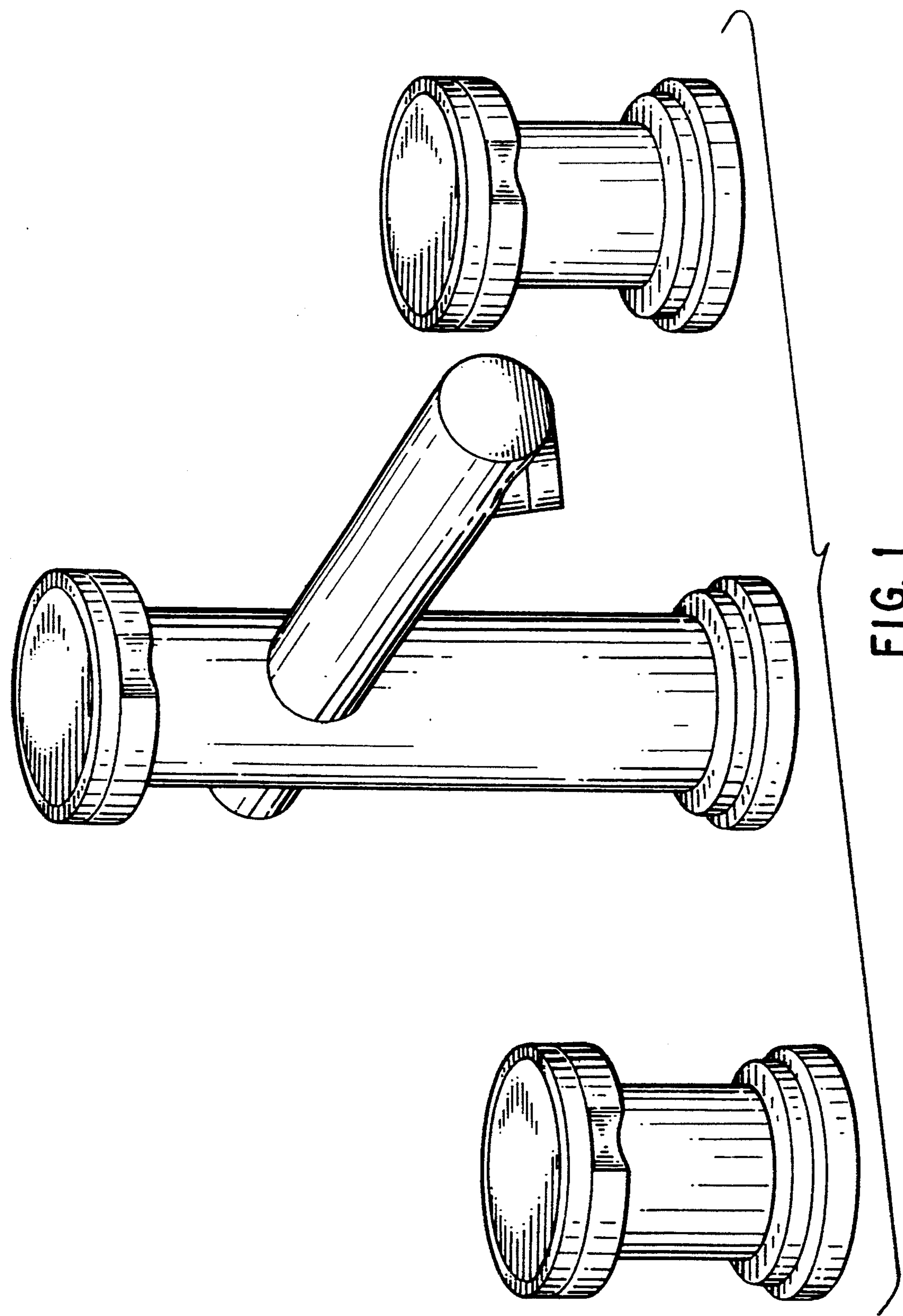


FIG. 1

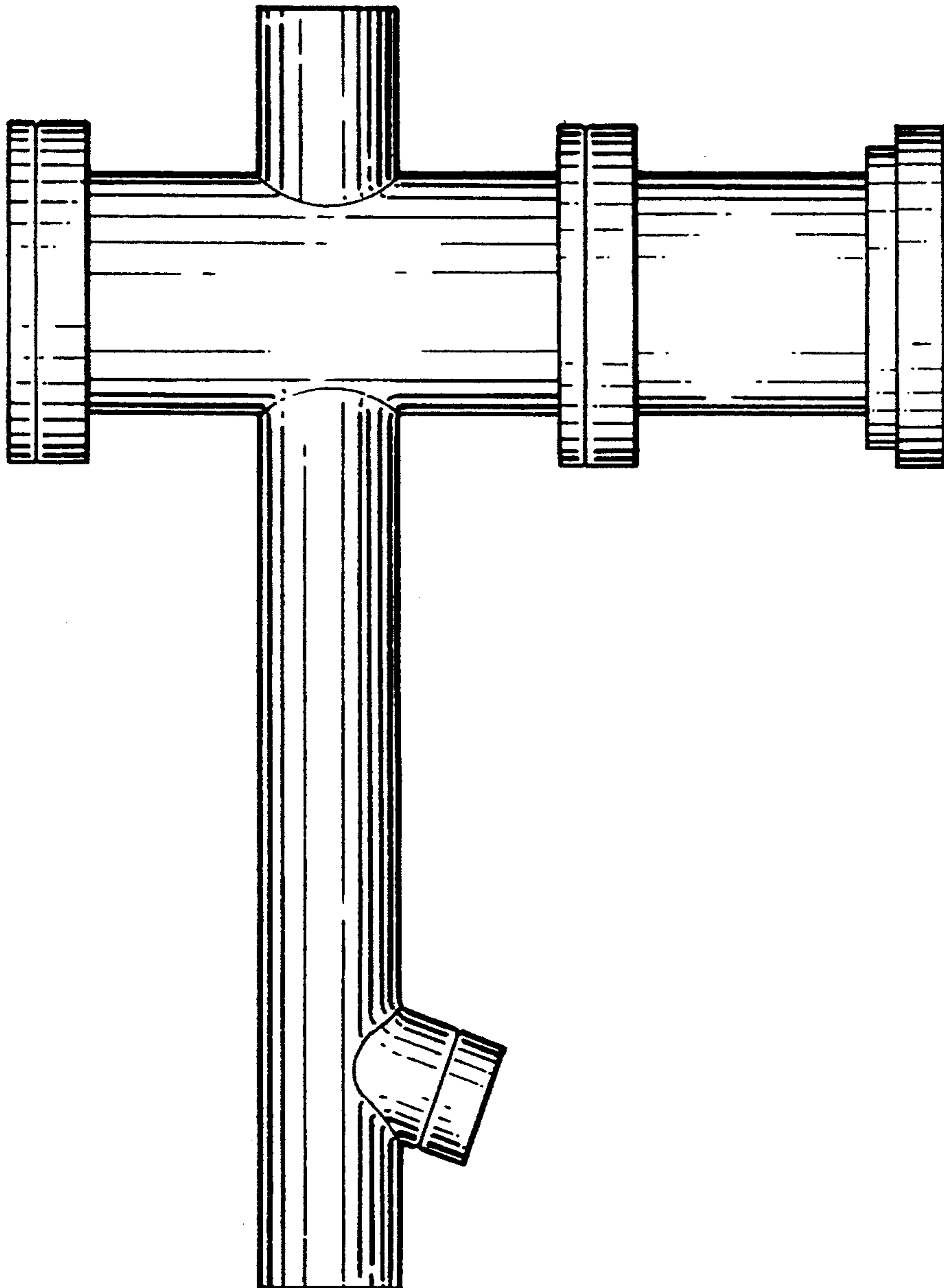


FIG. 2

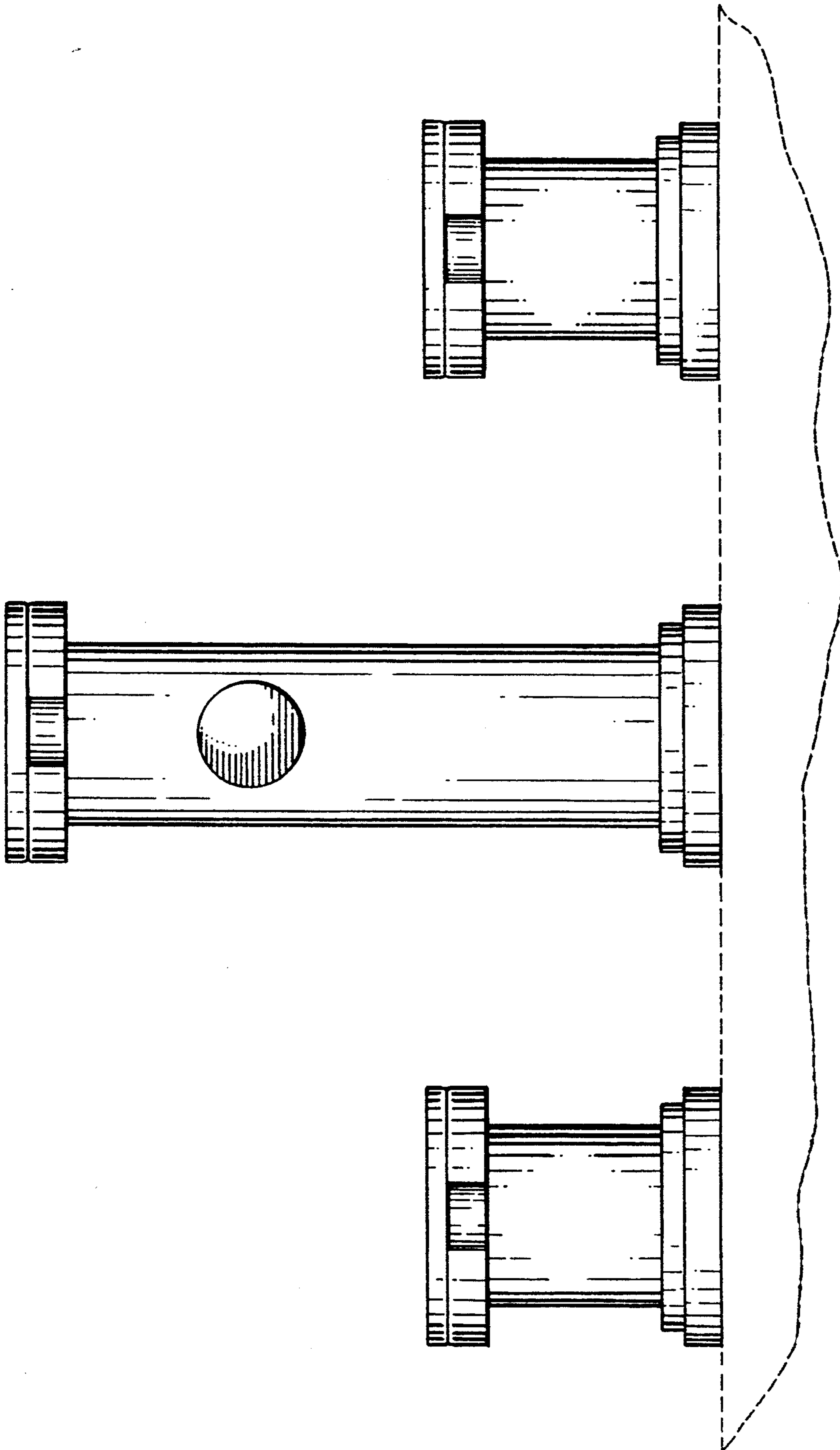


FIG. 3