



US00D350182S

United States Patent [19]

Barton

[11] Patent Number: **Des. 350,182**

[45] Date of Patent: **** Aug. 30, 1994**

[54] **ELECTRICALLY ACTUATED VALVE**

[75] Inventor: **Geoffery T. Barton**, Queensland, Australia

[73] Assignee: **Logform Industries Pty Ltd.**, Kilcoy, Australia

[**] Term: **14 Years**

[21] Appl. No.: **717,102**

[22] Filed: **Jun. 18, 1991**

[30] **Foreign Application Priority Data**

Dec. 19, 1990 [AU] Australia 4117/90

[52] U.S. Cl. **D23/248**

[58] Field of Search 251/129.11, 129.15;
D23/233-237, 244-249

[56] **References Cited**

U.S. PATENT DOCUMENTS

D. 114,497 4/1939 Roy D23/248

D. 120,821 5/1940 Severson D23/245

D. 142,771 11/1945 Chapman, Jr. D23/247

D. 273,699 5/1984 Loup et al. D23/248

D. 286,907 11/1986 Hilpert et al. D23/249

D. 287,268 12/1986 Hilpert et al. D23/249

3,387,748 6/1968 Brenehley 251/129.11 X

4,974,636 12/1990 Cogger 251/129.11 X

Primary Examiner—James R. Largen

Attorney, Agent, or Firm—Helfgott & Karas

[57] **CLAIM**

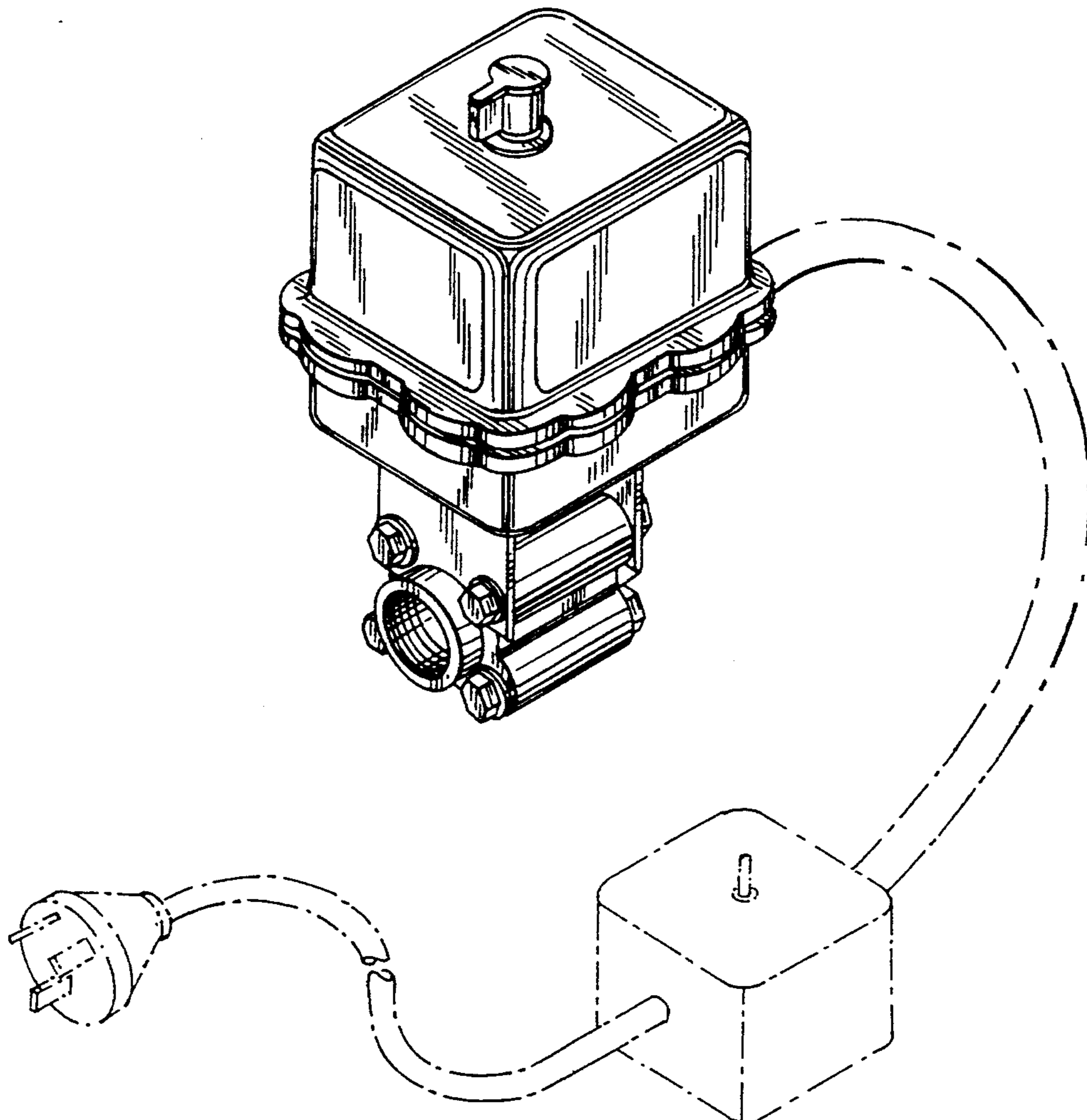
The ornamental design for an electrically actuated valve, as shown and described.

DESCRIPTION

FIG. 1 is a top, front and right side perspective view of an electrically actuated valve showing my new design; and,

FIG. 2 is a bottom, rear and right side perspective view thereof, the left side being a mirror image of the right side.

The broken line representation of an electric line and switch in FIGS. 1 and 2 is for purposes of illustration only and forms no part of the claimed design.



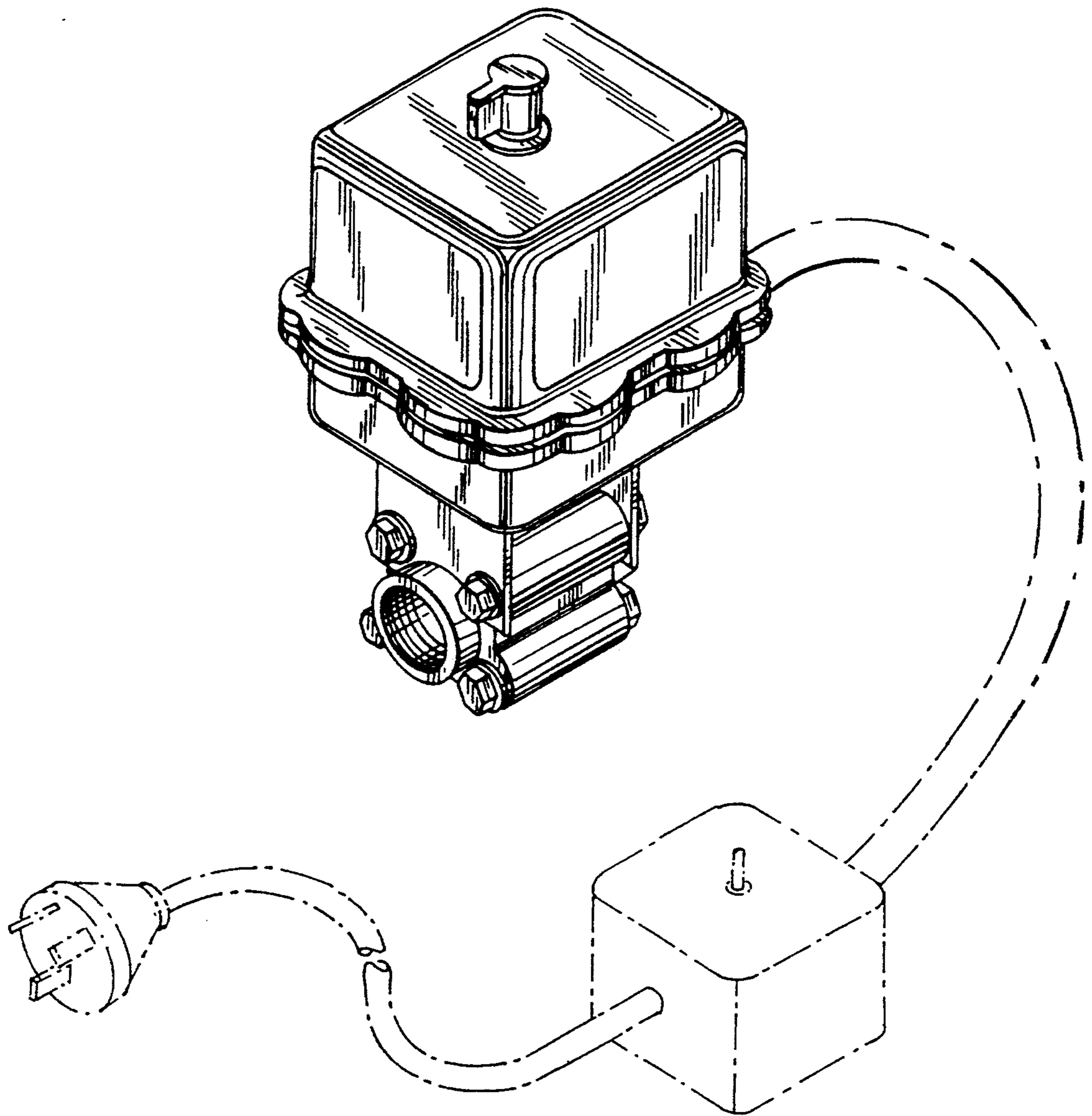


FIG. 1

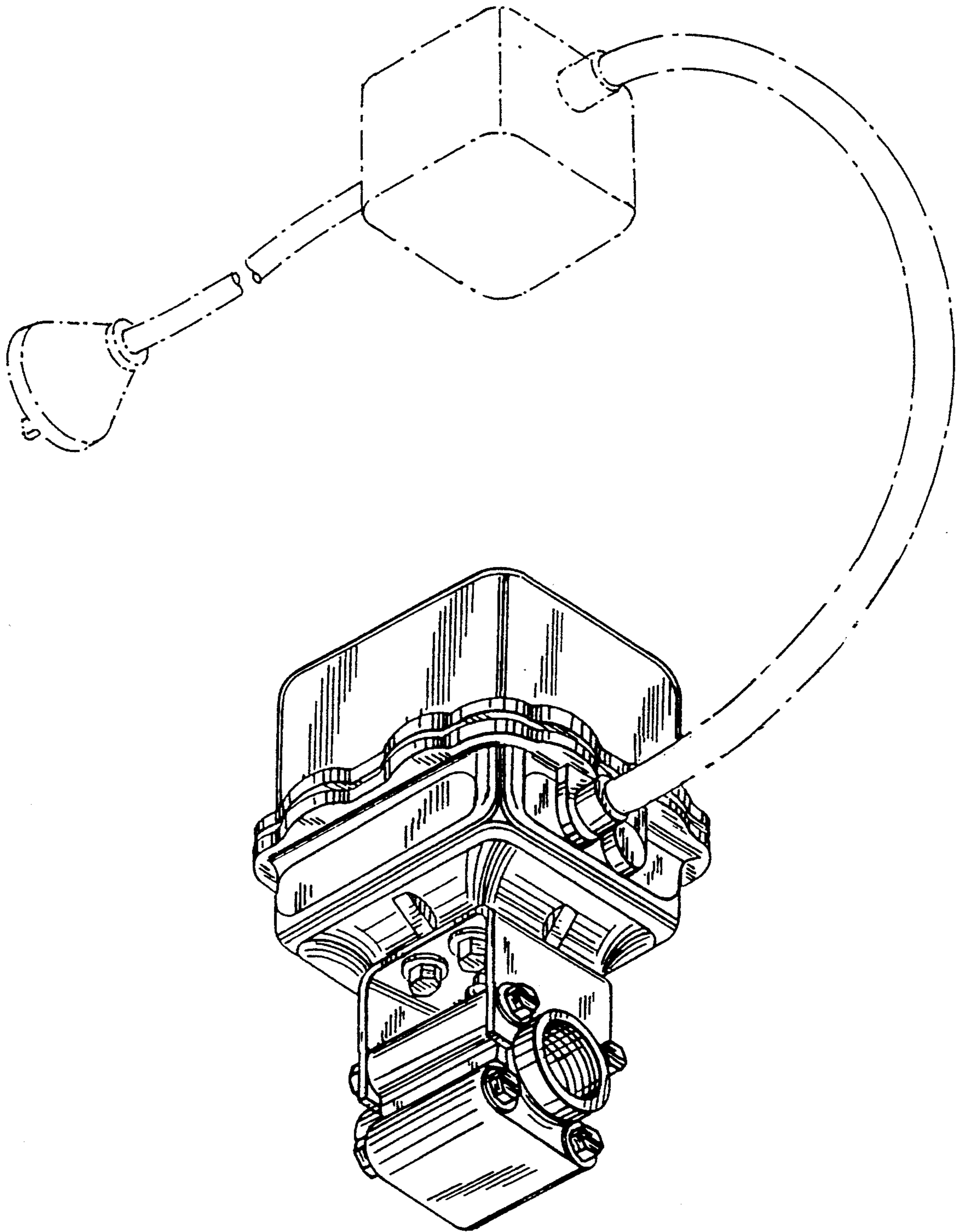


FIG. 2