



US00D350177S

United States Patent [19]

Ramirez et al.

[11] Patent Number: **Des. 350,177**

[45] Date of Patent: **** Aug. 30, 1994**

[54] **GOLF CLUB PUTTER HEAD**

[75] Inventors: **Stan L. Ramirez**, 7005 Santa Rita Ct., Fort Worth, Tex. 76133; **Louis P. Spartin**, P.O. Box 16704, Fort Worth, Tex. 76162

[73] Assignees: **Specialty Materials and Manufacturing Inc.**; **John E. Carbaugh, Jr.**, both of Rosslyn, Va.; **Stan L. Ramirez**; **Louis P. Spartin**, both of Forth Worth, Tex.

[**] Term: **14 Years**

[21] Appl. No.: **933,477**

[22] Filed: **Aug. 21, 1992**

[52] U.S. Cl. **D21/217**

[58] Field of Search 273/164.1, 167-175; D21/217, 219

[56] **References Cited**

U.S. PATENT DOCUMENTS

D. 325,949 5/1992 Harris, Jr. D21/219
3,966,210 6/1976 Rozmus 273/167 G

Primary Examiner—Melvin B. Feifer
Attorney, Agent, or Firm—Wenderoth, Lind & Ponack

[57] **CLAIM**

The ornamental design for a golf club putter head, as shown and described.

DESCRIPTION

FIG. 1 is a perspective view of a golf club putter head showing our new design with a broken line showing a shaft portion for illustrative purposes only; FIG. 2 is a top plan view thereof; FIG. 3 is a bottom plan view thereof; FIG. 4 is a front elevational view thereof; FIG. 5 is a left side elevational view thereof; FIG. 6 is a rear elevational view thereof; and, FIG. 7 is a right side elevational view thereof.

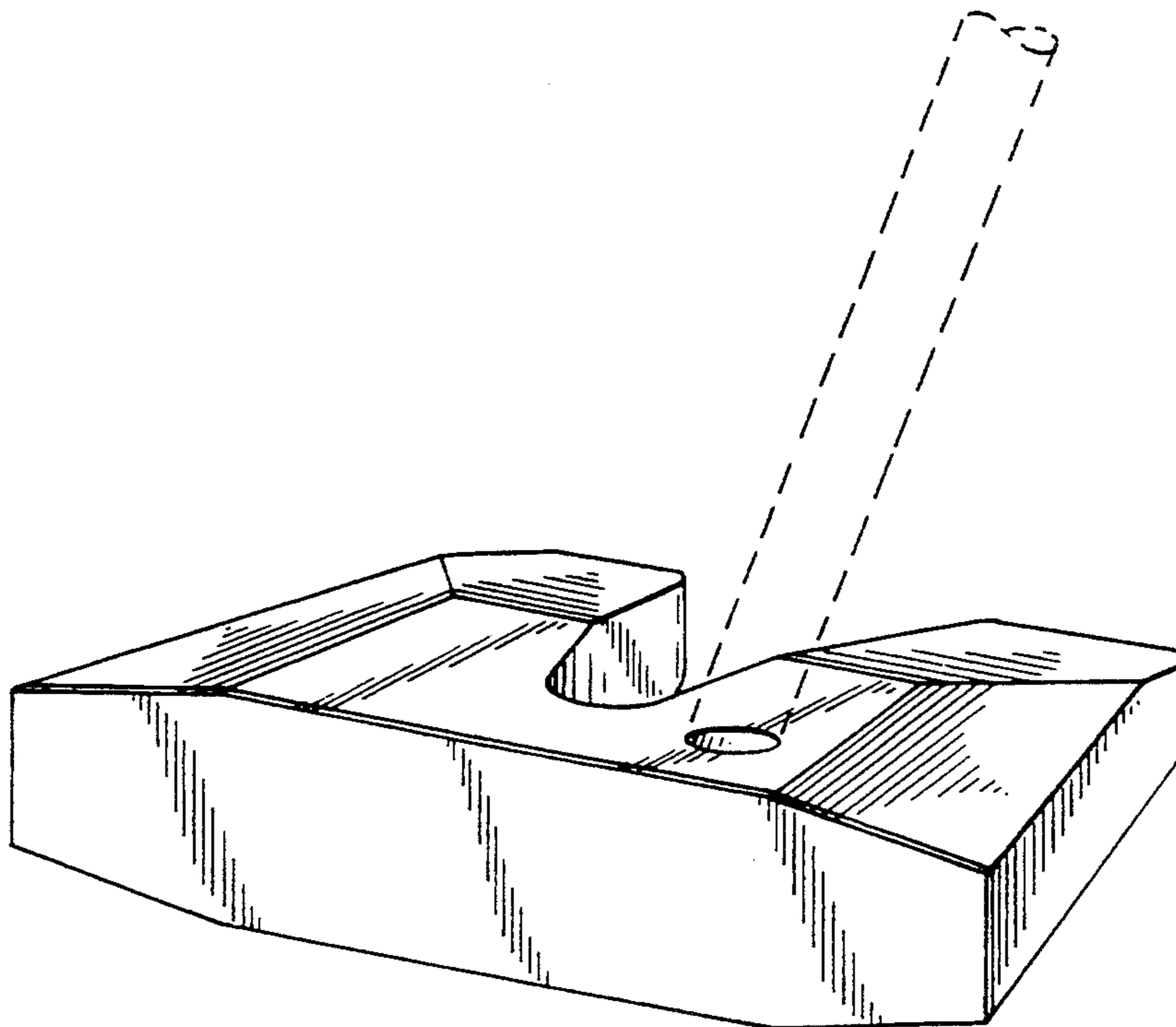


FIG. 1

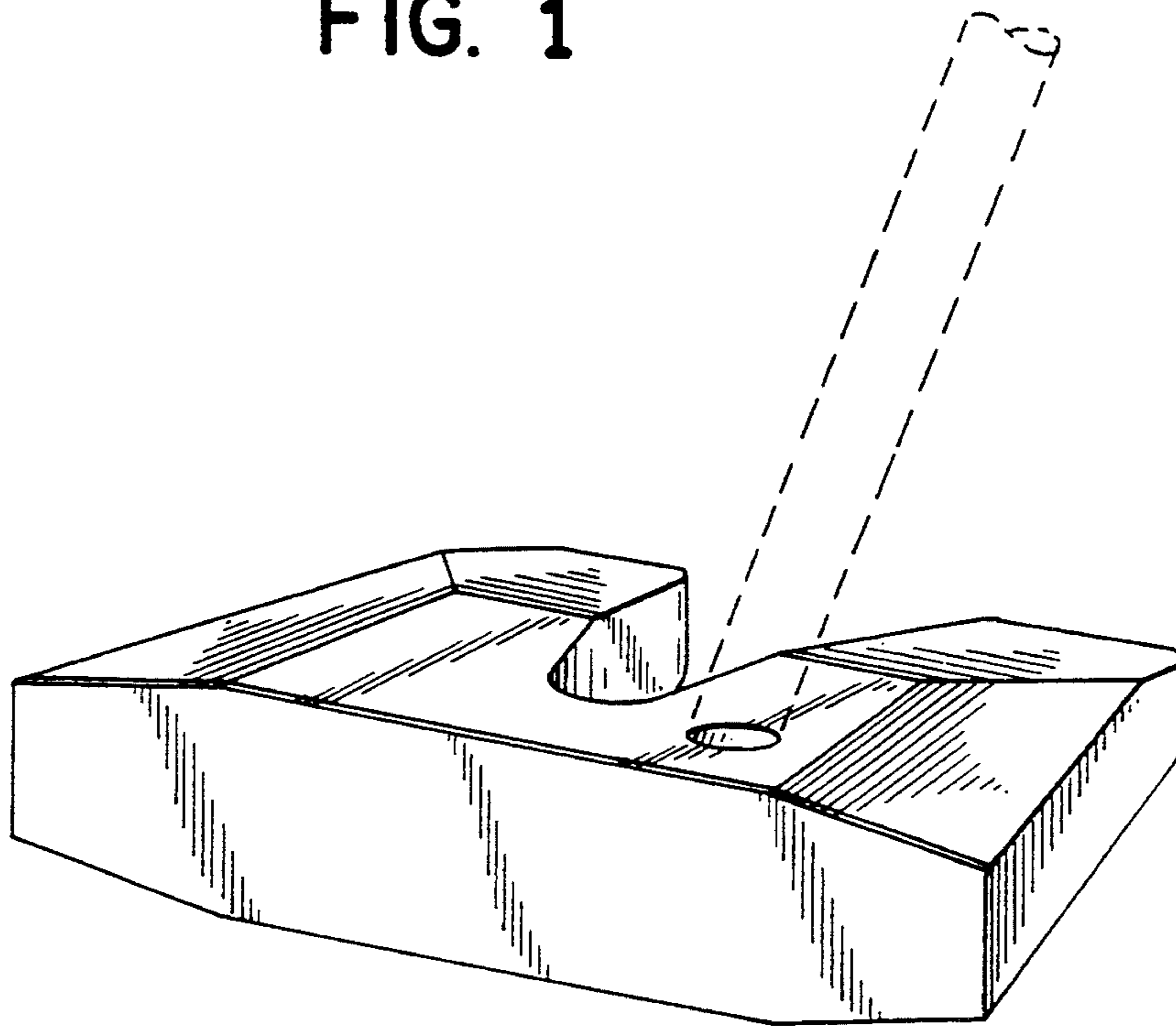


FIG. 2

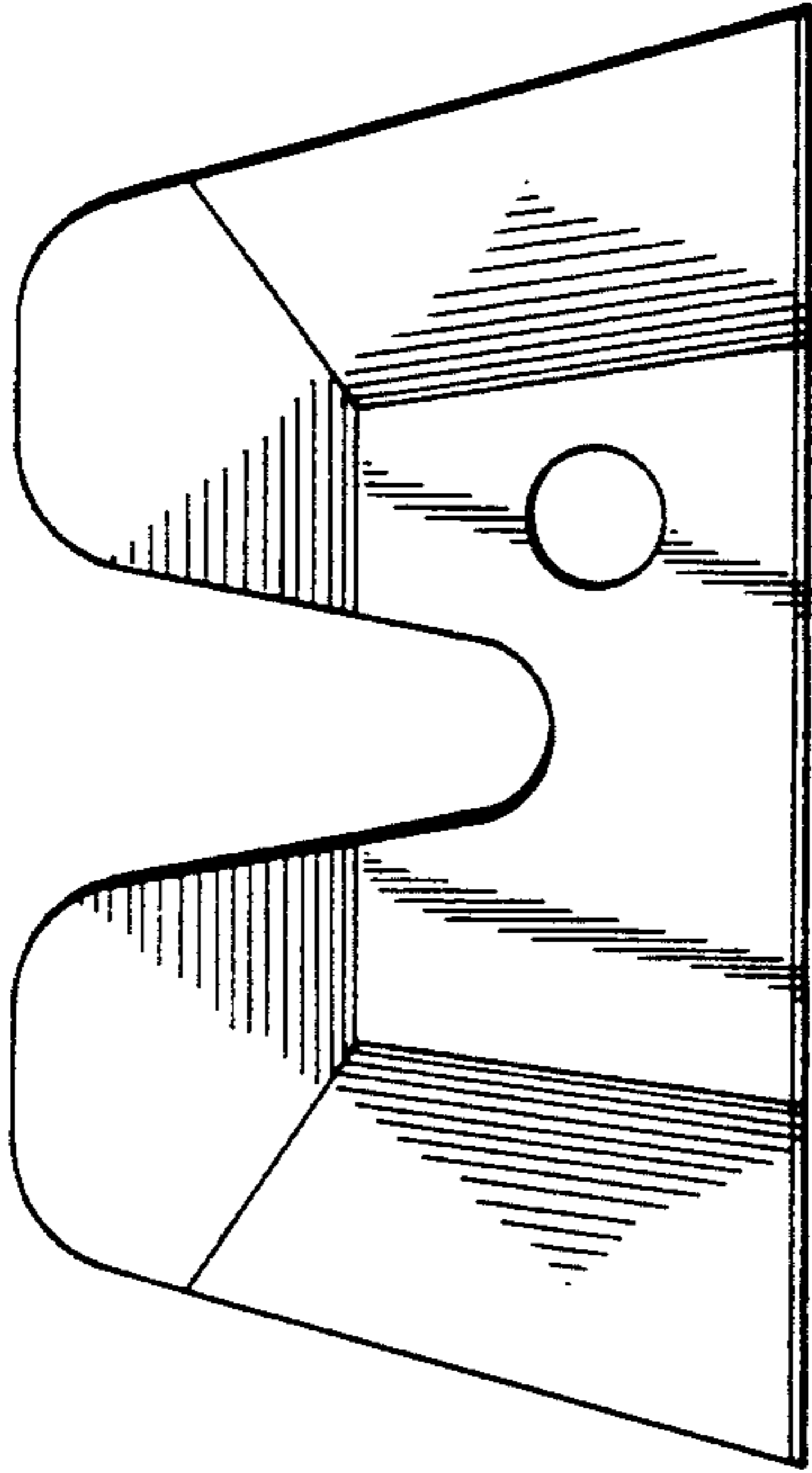


FIG. 3

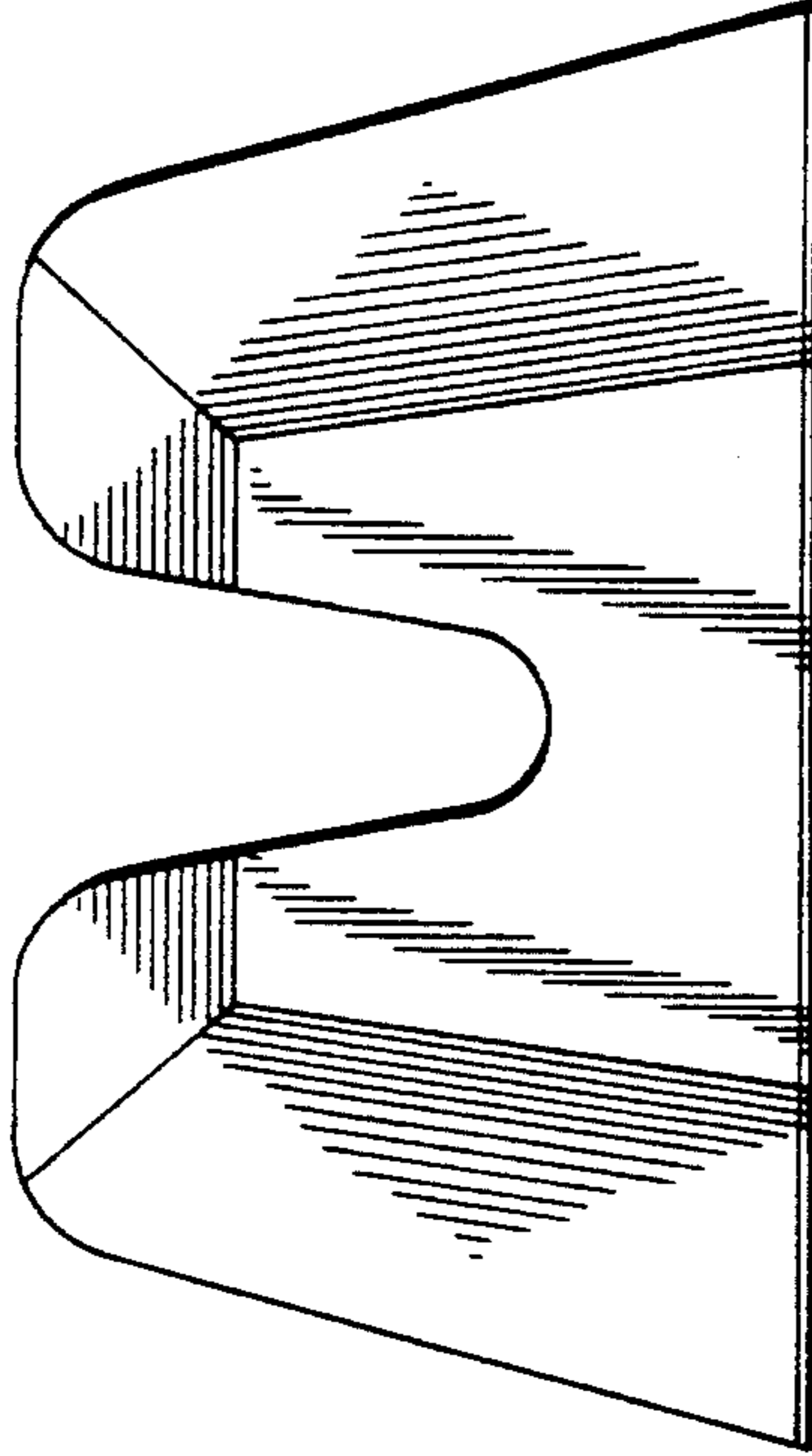


FIG. 4

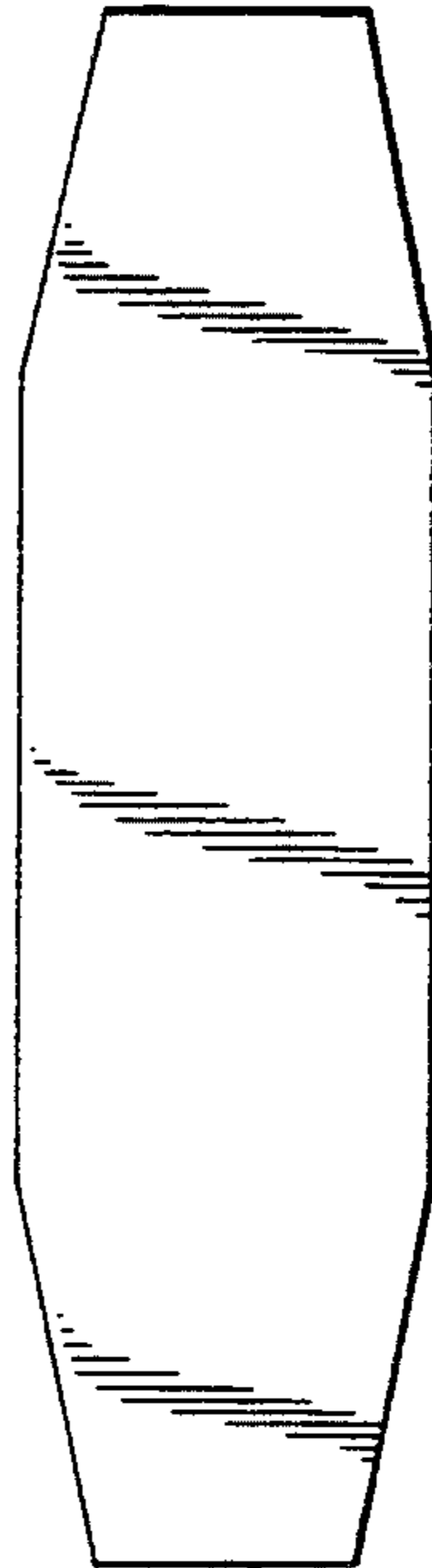


FIG. 5

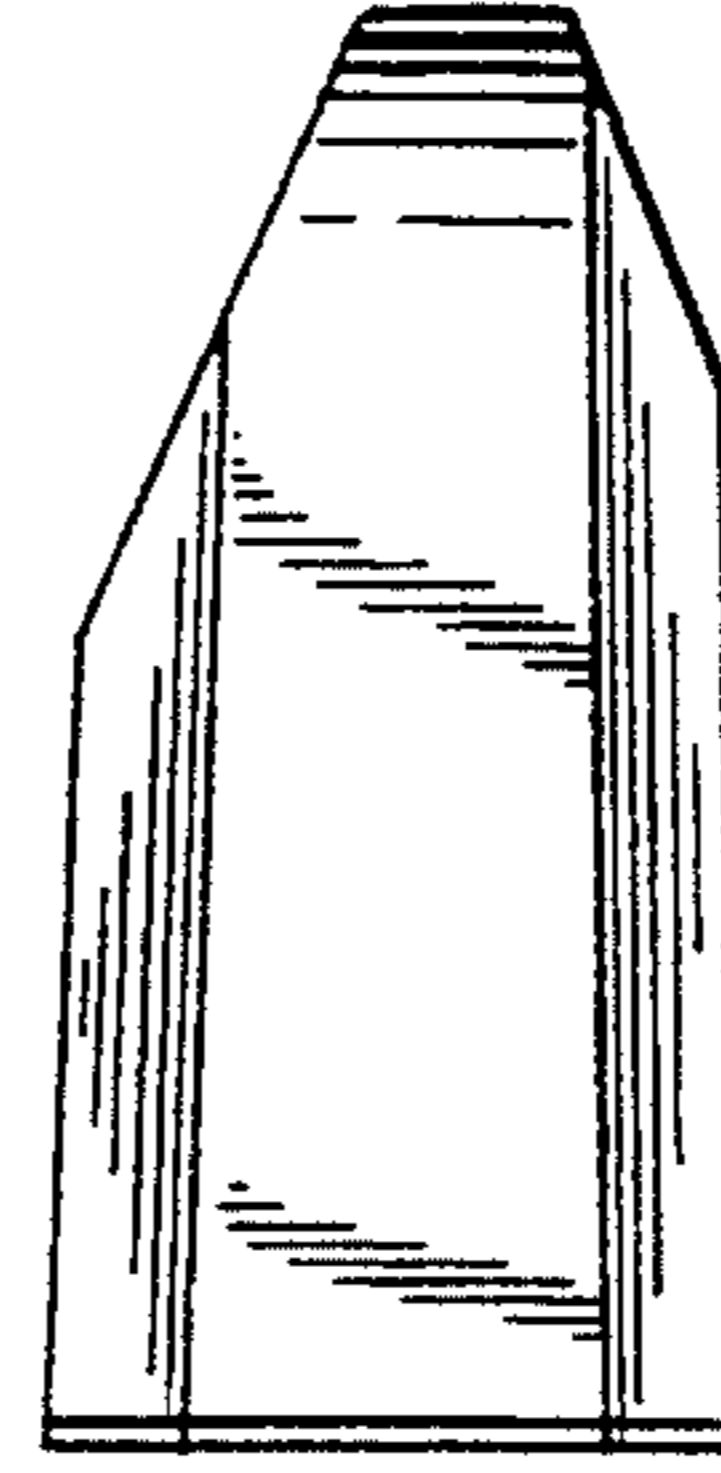


FIG. 6

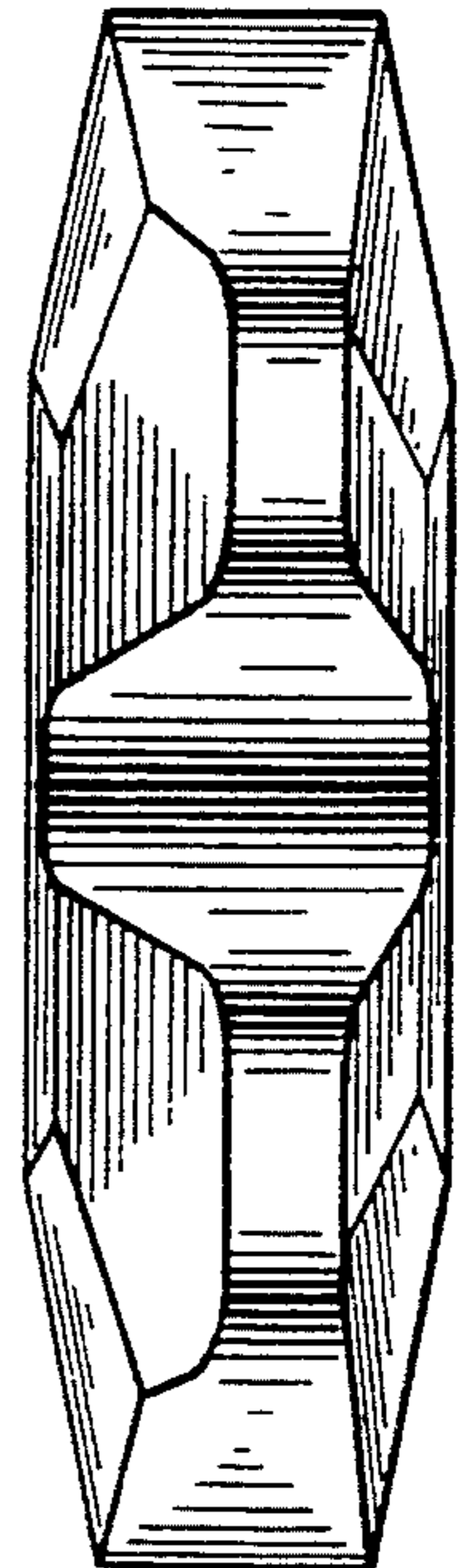


FIG. 7

