



US00D350170S

United States Patent [19]

[11] **Patent Number: Des. 350,170**

Bro et al.

[45] **Date of Patent: ** Aug. 30, 1994**

[54] **TOY PENGUIN FIGURE**

FOREIGN PATENT DOCUMENTS

[75] Inventors: **Jay M. Bro; Philip M. Baerenwald,**
both of Plano, Tex.

557381 5/1923 France 446/325

[73] Assignee: **Today's Kids, Inc.,** Boonesville, Ark.

OTHER PUBLICATIONS

Gentle Giants, Summer 1984, p. 19, bottom, penguin figures.

[**] Term: **14 Years**

Primary Examiner—Melvin B. Feifer
Attorney, Agent, or Firm—Kirkpatrick & Lockhart

[21] Appl. No.: **4,447**

[57] **CLAIM**

The ornamental design for toy penguin figure, as shown and described.

[22] Filed: **Feb. 5, 1993**

[52] U.S. Cl. **D21/160**

[58] Field of Search 446/325; D21/160, 150,
D21/157

DESCRIPTION

FIG. 1 is a perspective view of a toy penguin figure showing our new design;
FIG. 2 is a front elevational view thereof;
FIG. 3 is a rear elevational view thereof;
FIG. 4 is a top view thereof;
FIG. 5 is a bottom view thereof;
FIG. 6 is a side elevational view thereof, the opposite side view thereof being the same;
FIG. 7 is an exploded front elevational view thereof;
FIG. 8 is an exploded rear elevational view thereof; and,
FIG. 9 is an exploded side elevational view thereof, the opposite exploded side view thereof being the same.

[56] **References Cited**

U.S. PATENT DOCUMENTS

D. 236,522	8/1975	Campanell	D34/15 D
D. 245,364	8/1977	McClary	D34/15 AC
D. 261,166	10/1981	Kudo	D21/160
D. 271,897	12/1983	Ma	D21/104
D. 273,026	3/1984	Emms et al.	D21/157
D. 300,441	3/1989	Ryland	D21/160
D. 302,989	8/1989	Broadbent et al.	D21/160
3,375,604	4/1968	Alonso	46/22



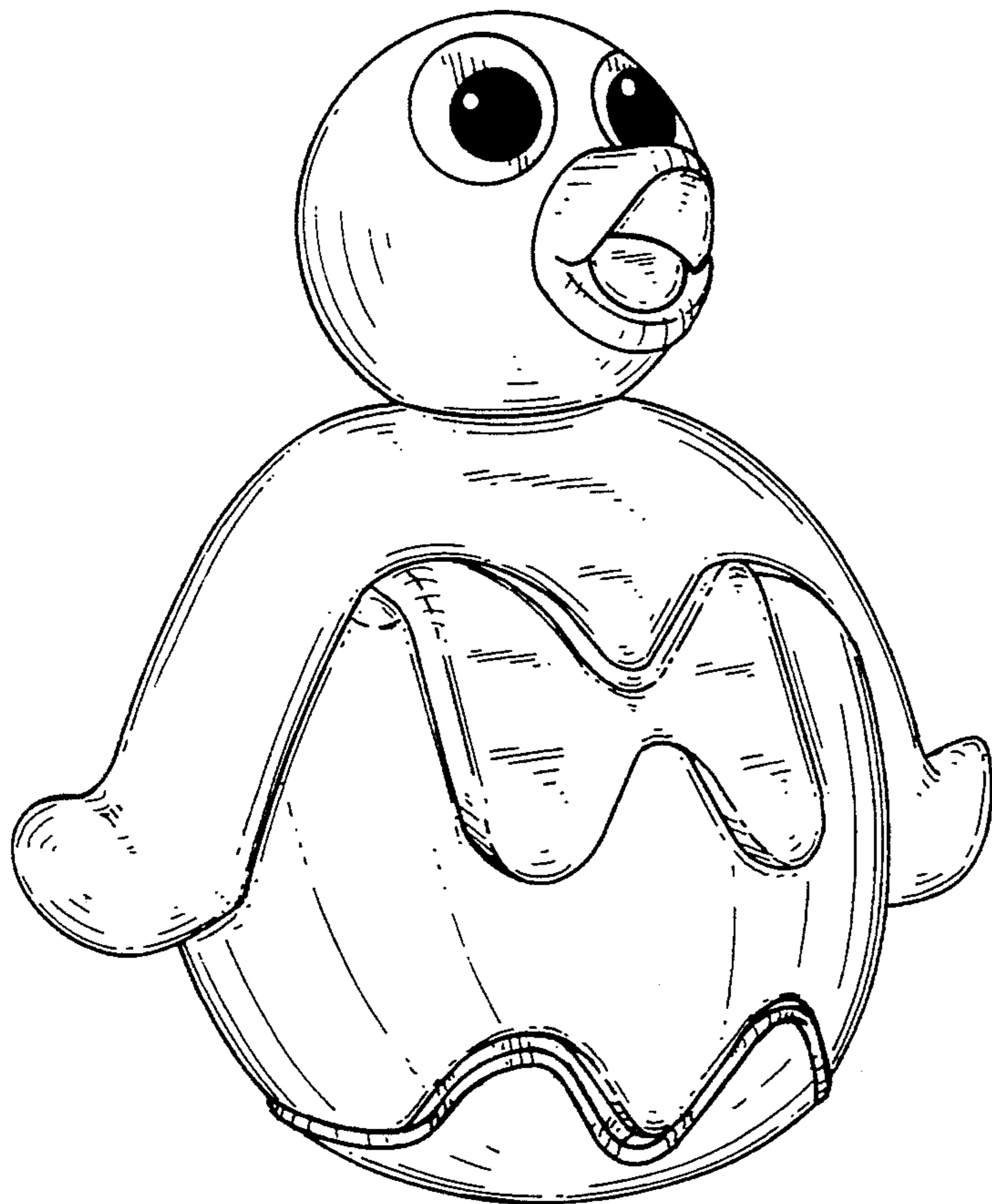


FIG. 1

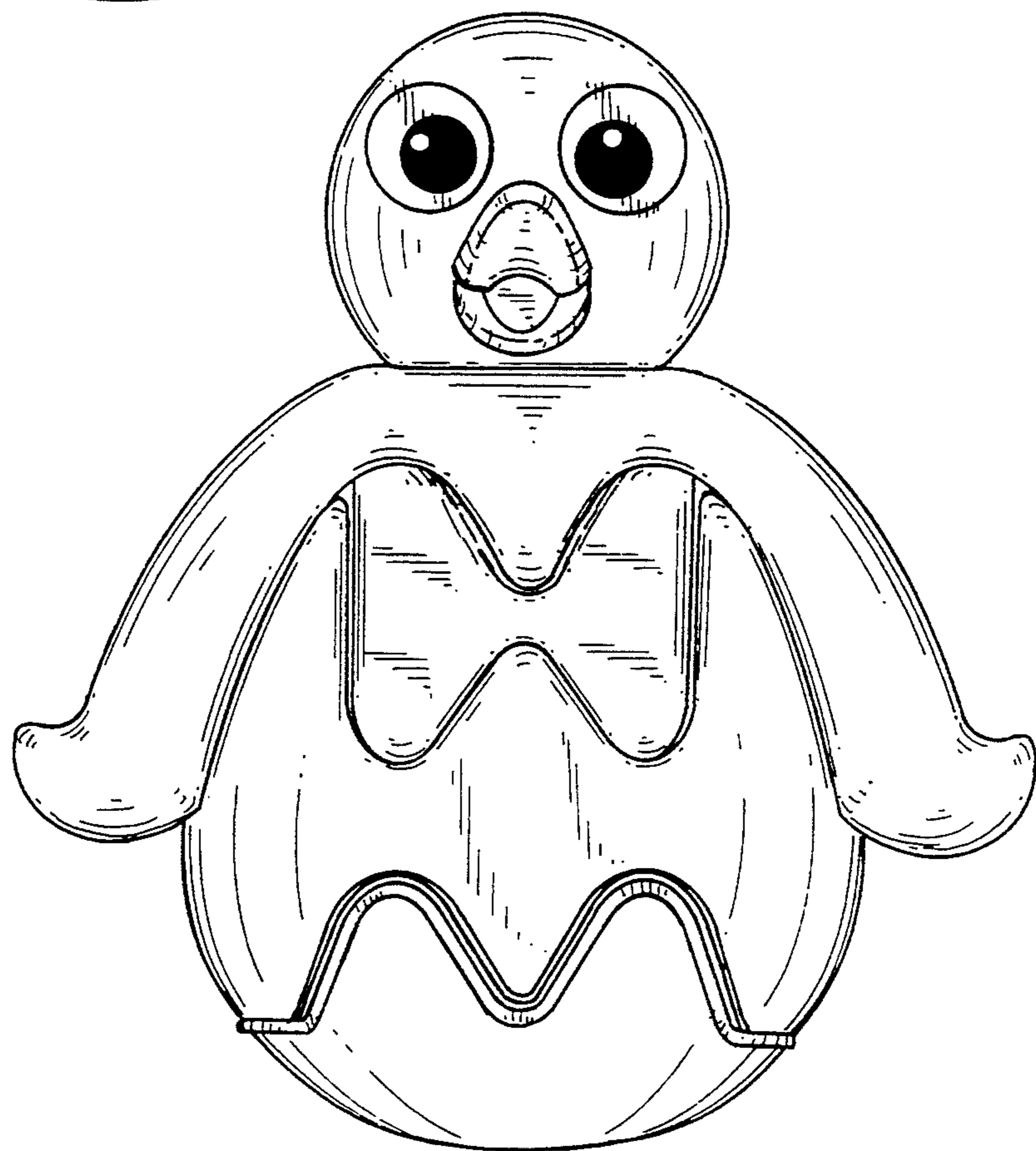


FIG. 2

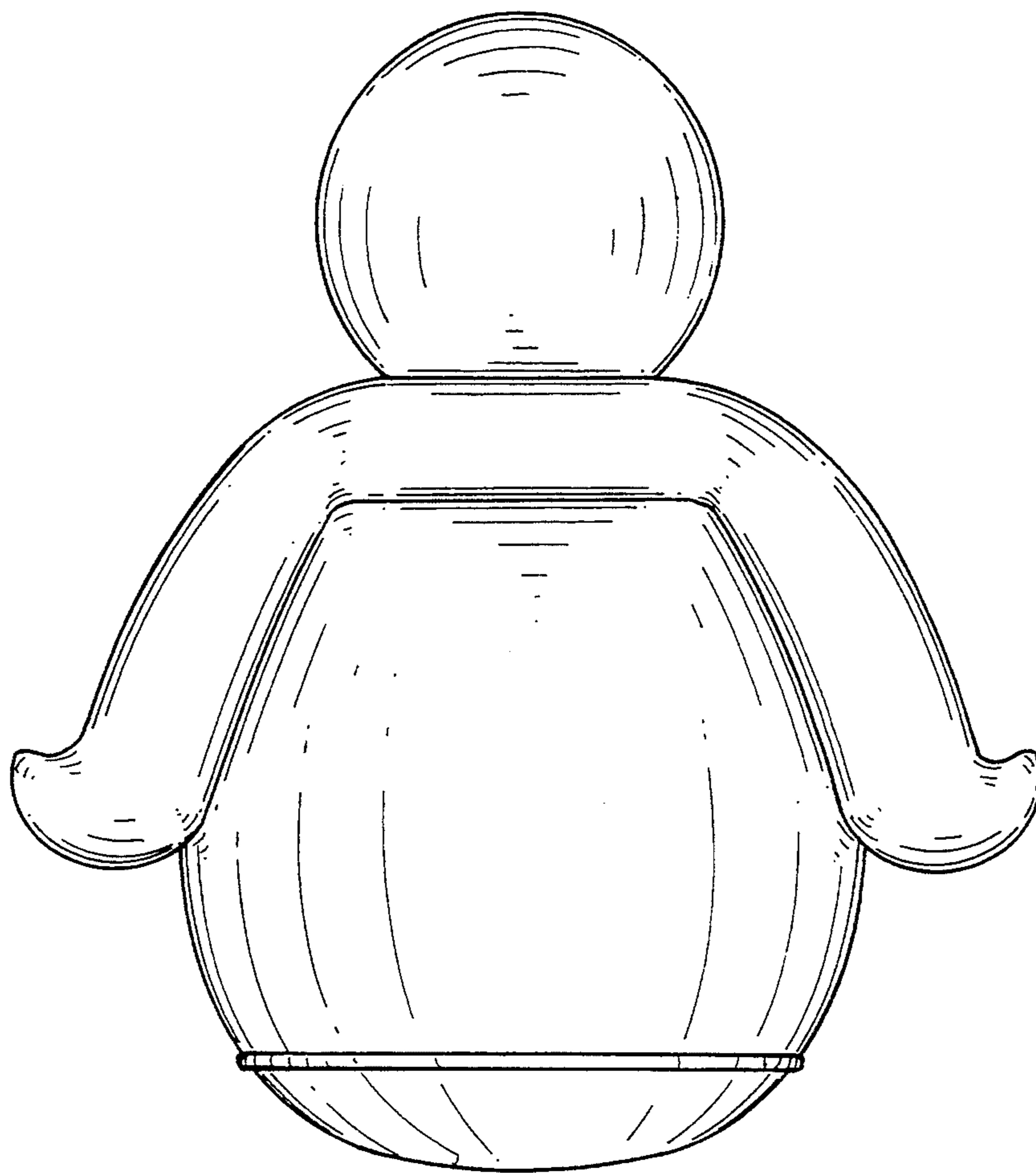


FIG. 3

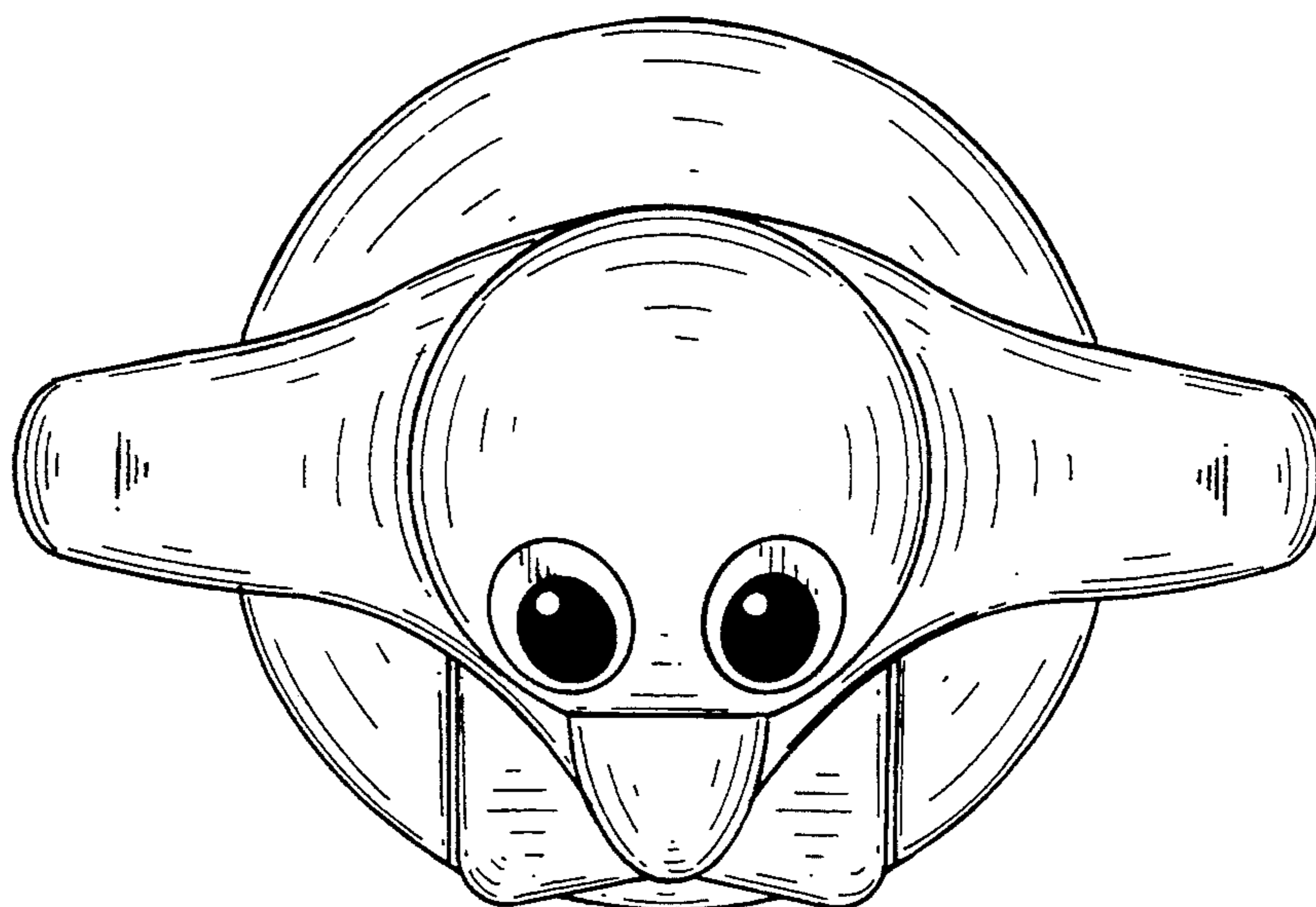


FIG. 4

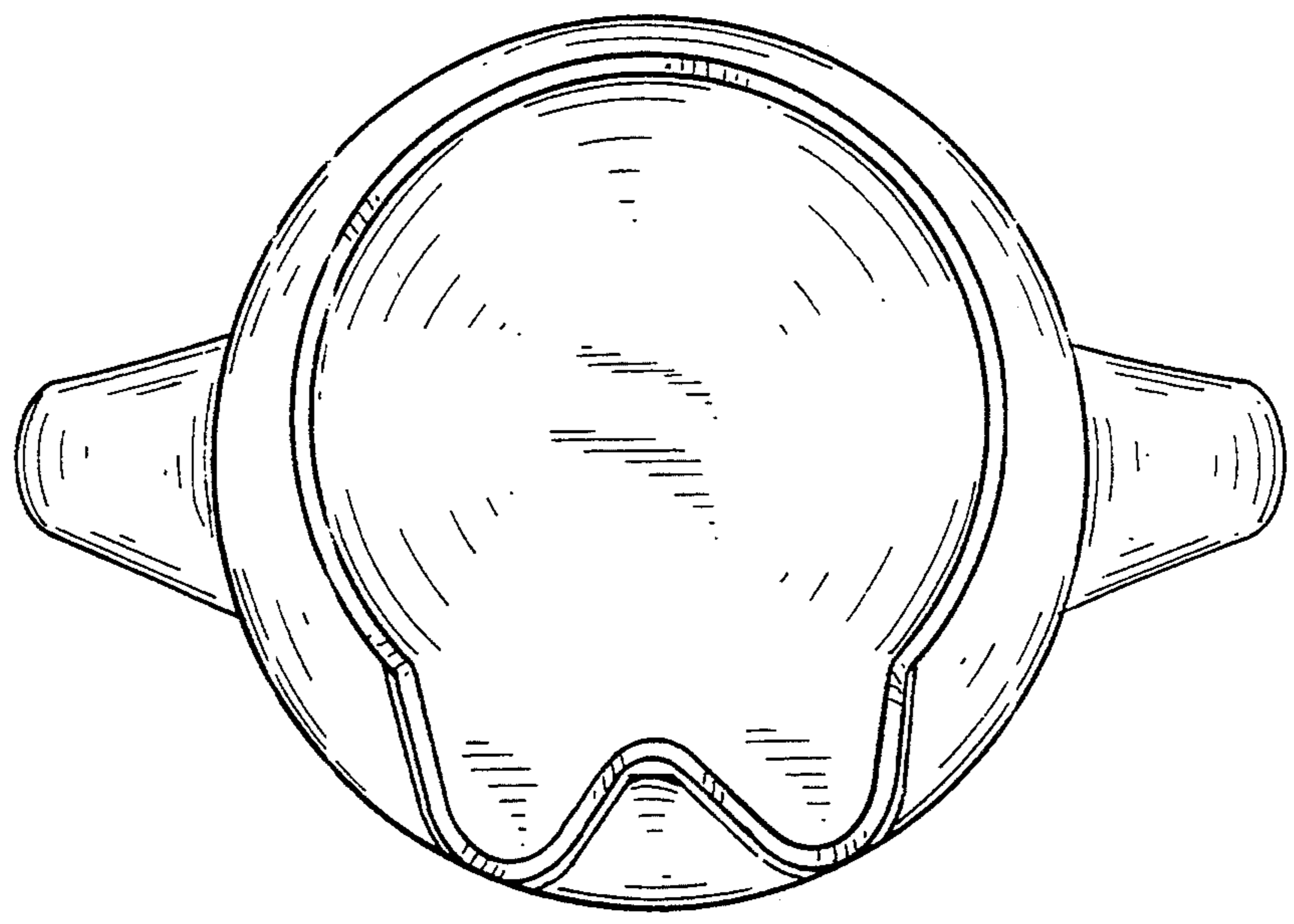


FIG. 5

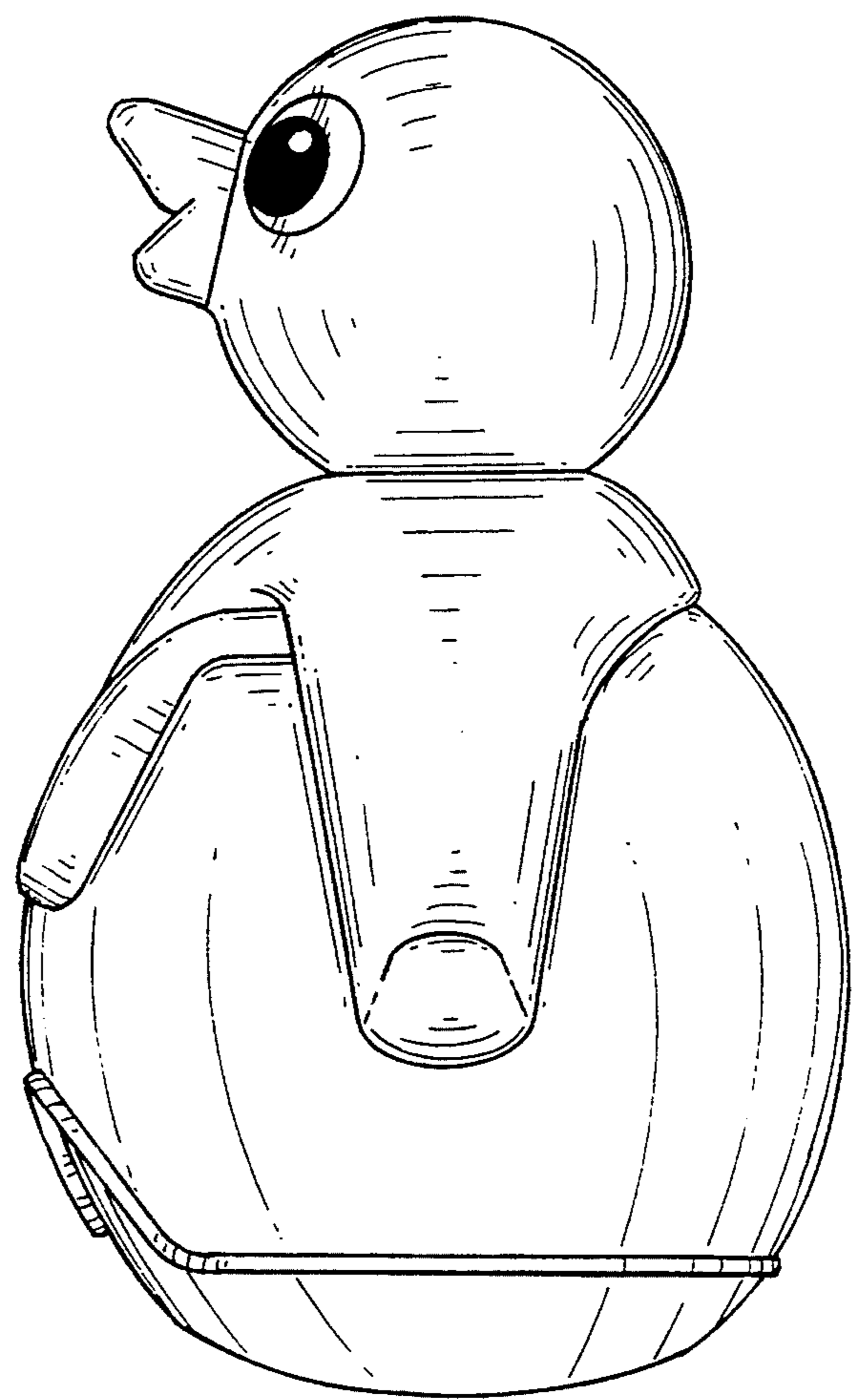


FIG. 6

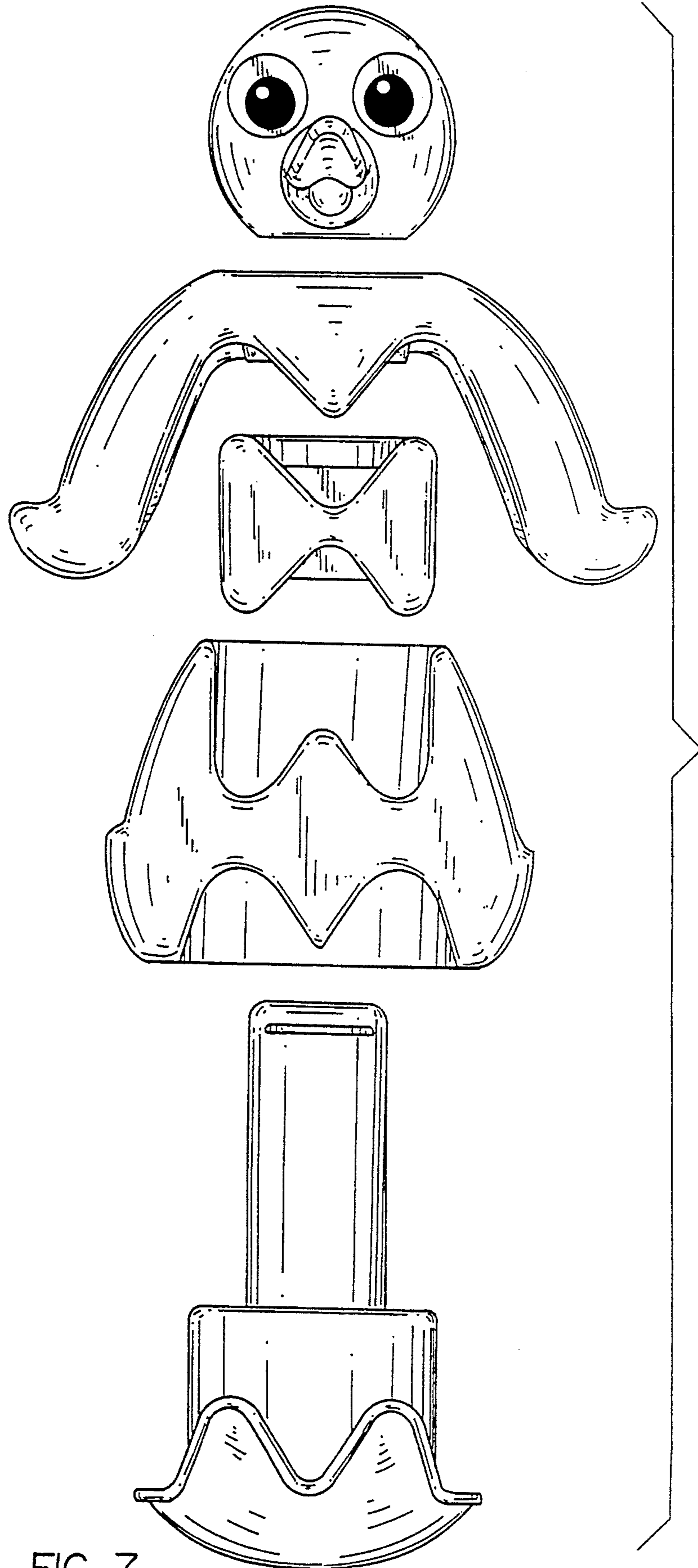


FIG. 7

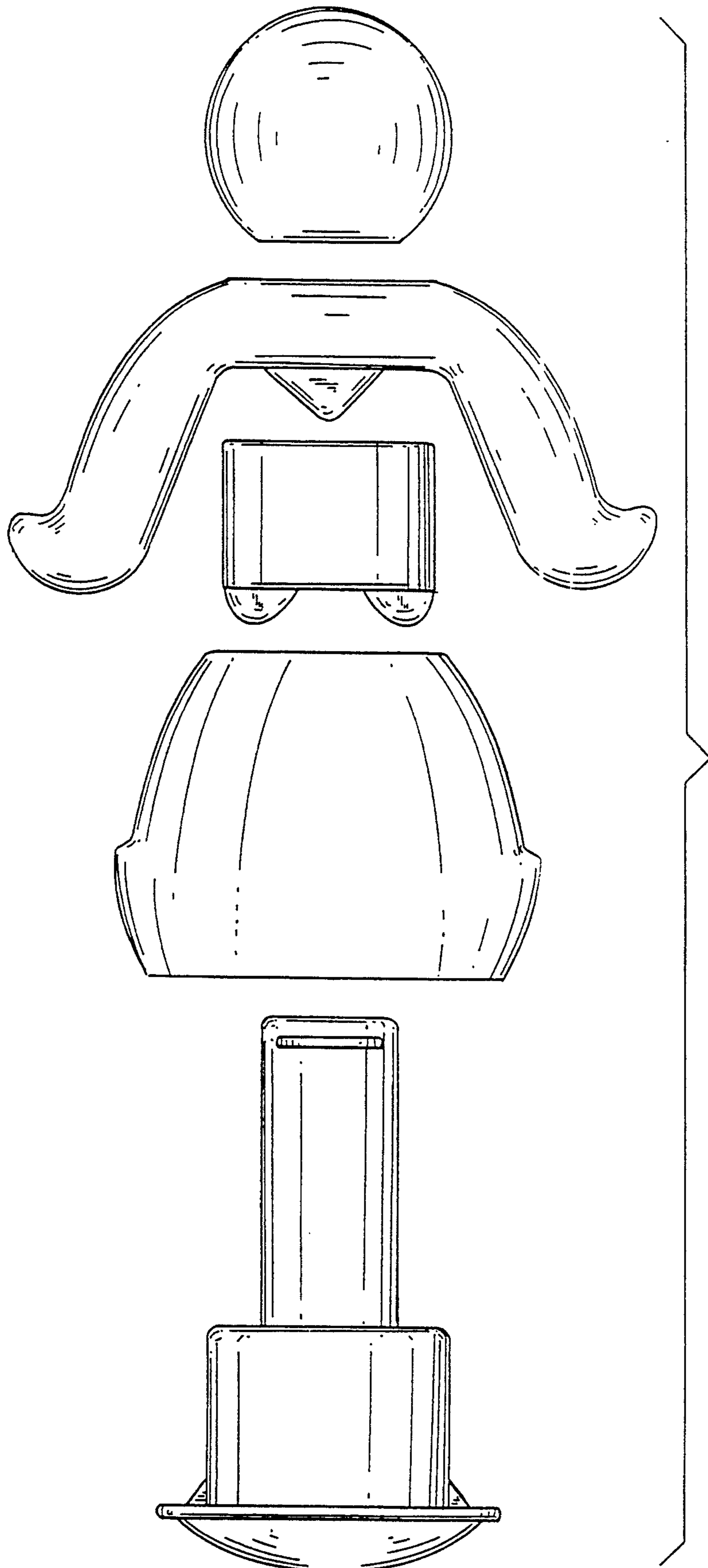


FIG. 8

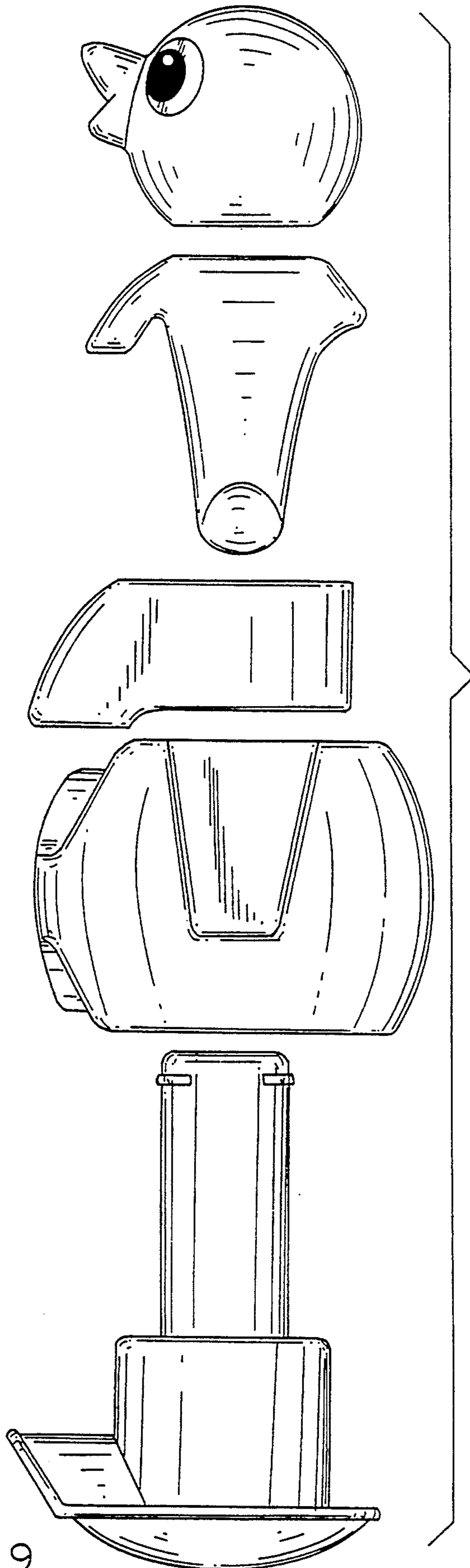


FIG. 9