



US00D350165S

United States Patent [19]
Refsing

[11] **Patent Number: Des. 350,165**

[45] **Date of Patent: ** Aug. 30, 1994**

[54] **ELEMENT FOR A TOY BUILDING SET**

[75] **Inventor: Arne Refsing, Billund, Denmark**

[73] **Assignee: Interlego, A.G., Baar, Switzerland**

[**] **Term: 14 Years**

[21] **Appl. No.: 13,288**

[22] **Filed: Sep. 22, 1993**

[52] **U.S. Cl. D21/108**

[58] **Field of Search 446/108, 110, 115-116,
446/120, 122, 124, 125, 128, 478; 434/172;
D21/108, 41; D19/59**

[56] **References Cited**

U.S. PATENT DOCUMENTS

D. 311,939	11/1990	Andersen	D21/108
1,736,134	11/1929	Rutherford	D21/108
2,049,097	7/1936	Winnemore	D21/108
3,570,170	3/1971	Kishi	446/128

FOREIGN PATENT DOCUMENTS

56228 9/1952 France 446/110

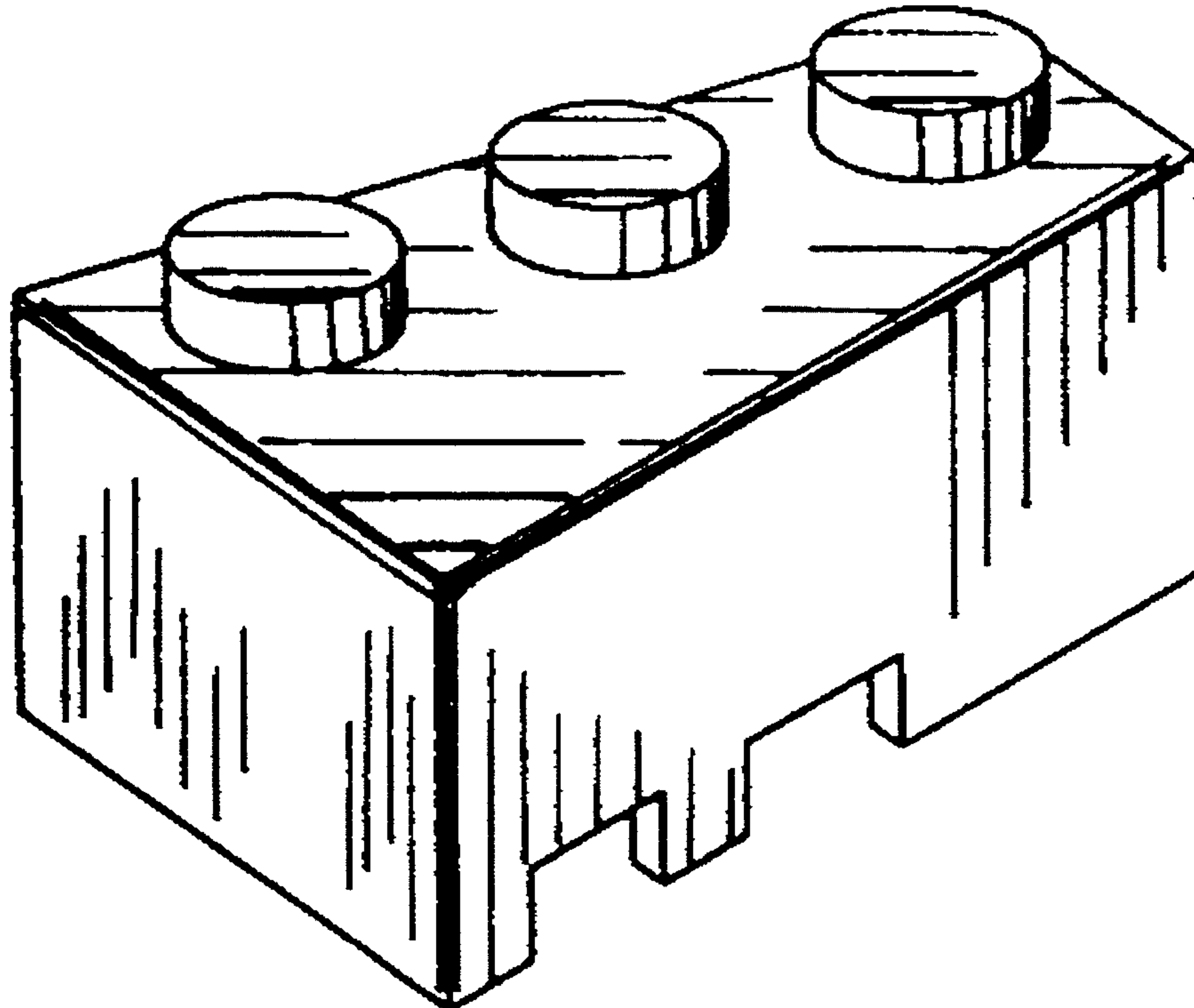
Primary Examiner—Bernard Ansher
Assistant Examiner—R. Barkai
Attorney, Agent, or Firm—Kane, Dalsimer, Sullivan,
Kurucz, Levy, Eisele and Richard

[57] **CLAIM**

The ornamental design for an element for a toy building set, as shown and described.

DESCRIPTION

FIG. 1 is a top perspective view of the element for a toy building set showing my new design;
FIG. 2 is a bottom perspective view thereof;
FIG. 3 is a right side elevational view thereof;
FIG. 4 is a front elevational view thereof;
FIG. 5 is a left side elevational view thereof;
FIG. 6 is a rear elevational view thereof;
FIG. 7 is a top plan view thereof; and,
FIG. 8 is a bottom plan view thereof.



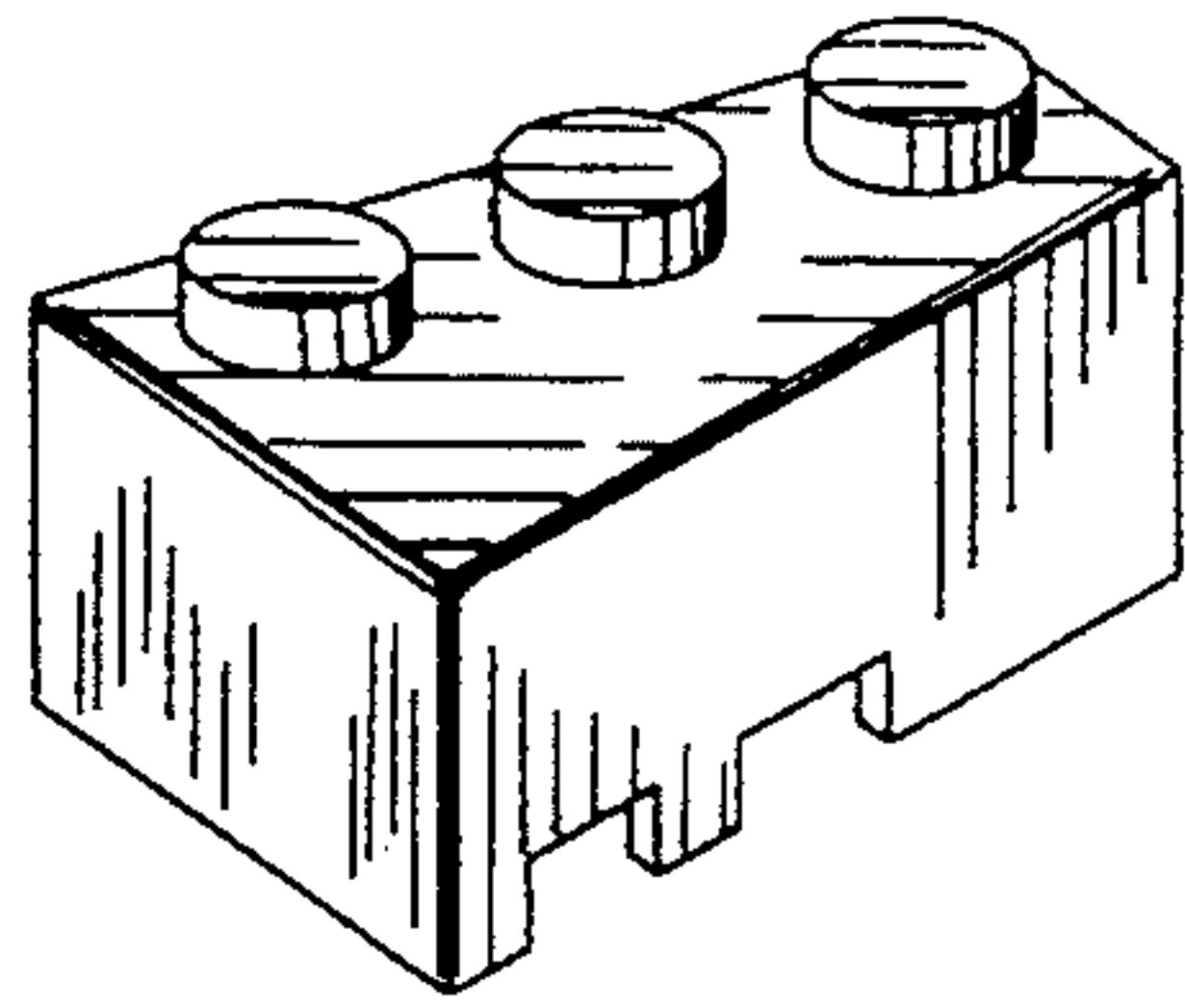


FIG. 1

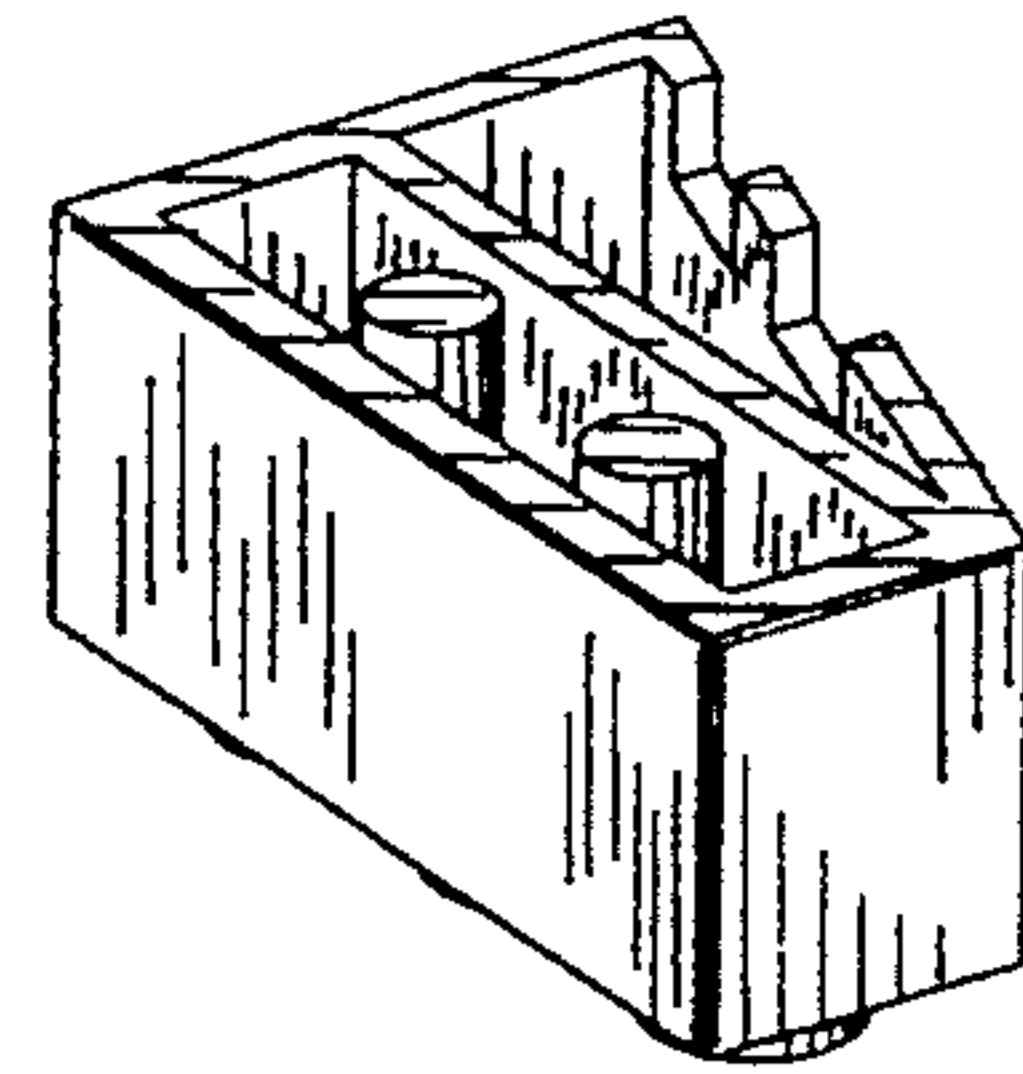


FIG. 2

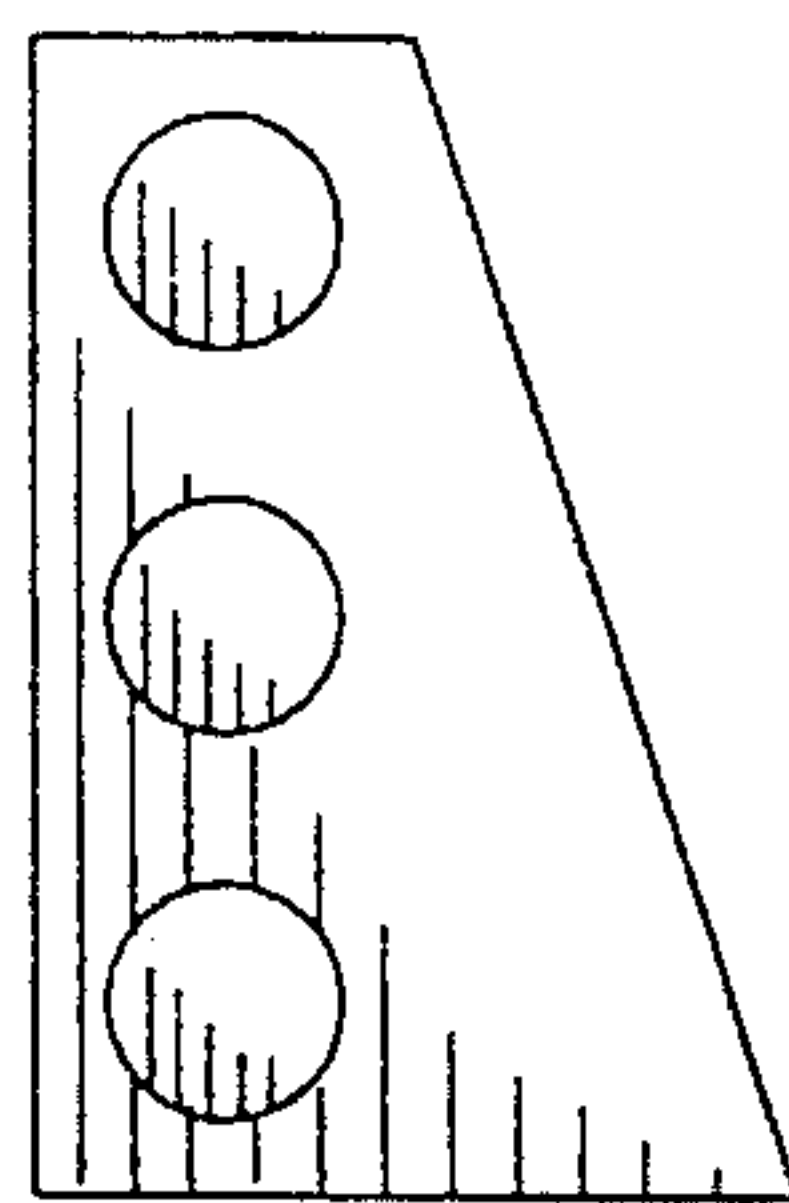


FIG. 7

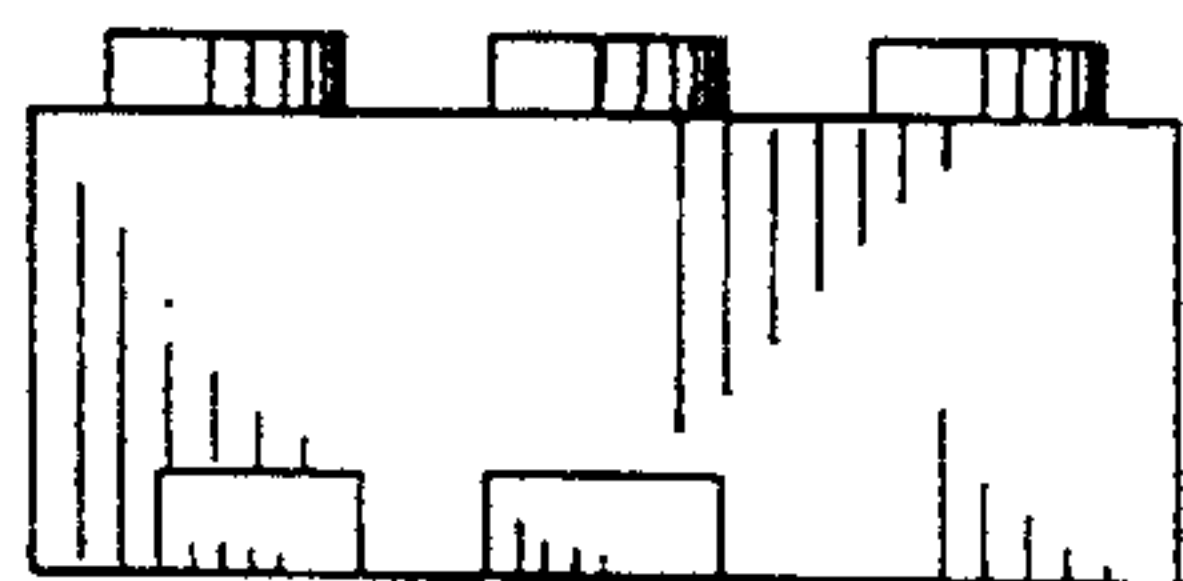


FIG. 5



FIG. 6

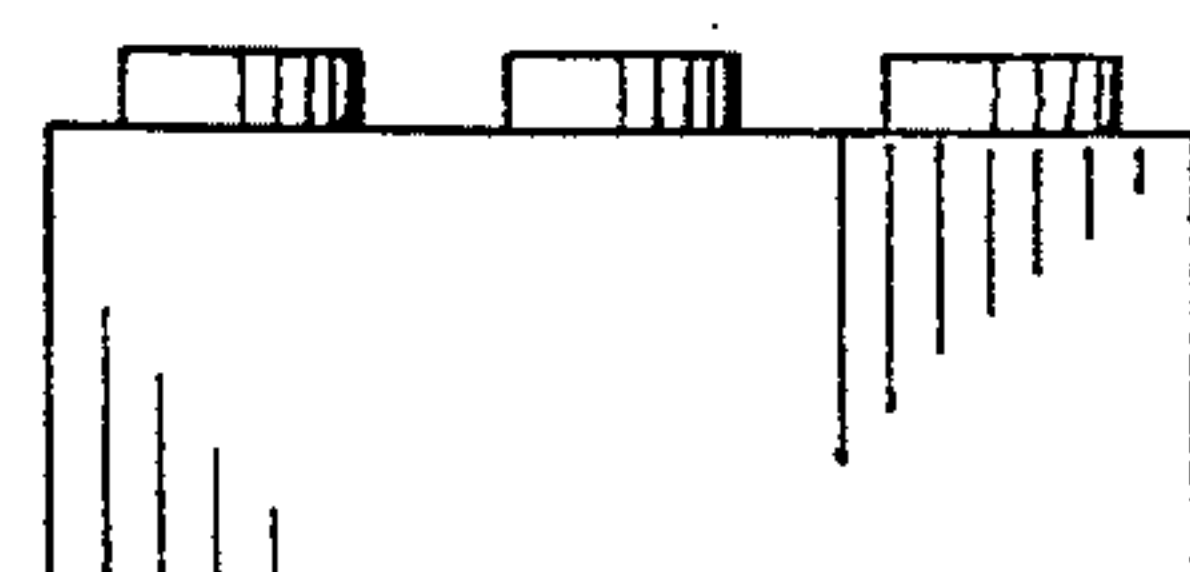


FIG. 3

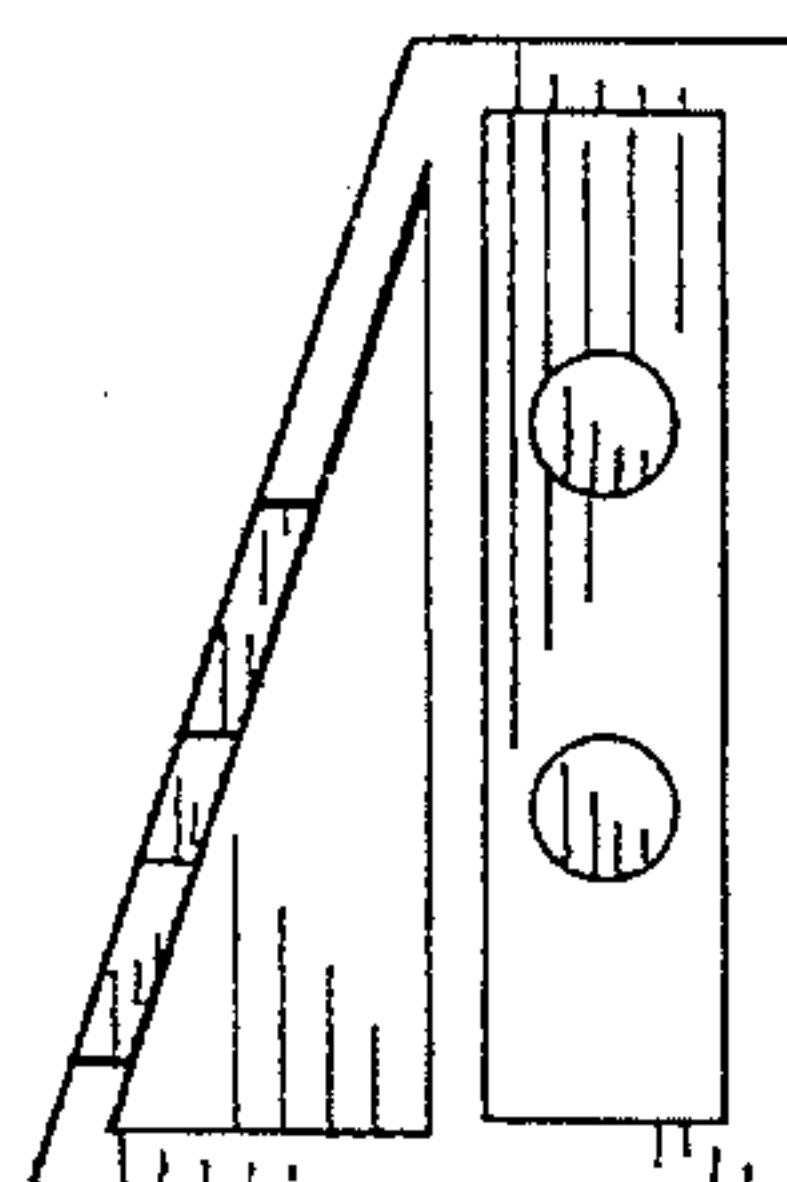


FIG. 8

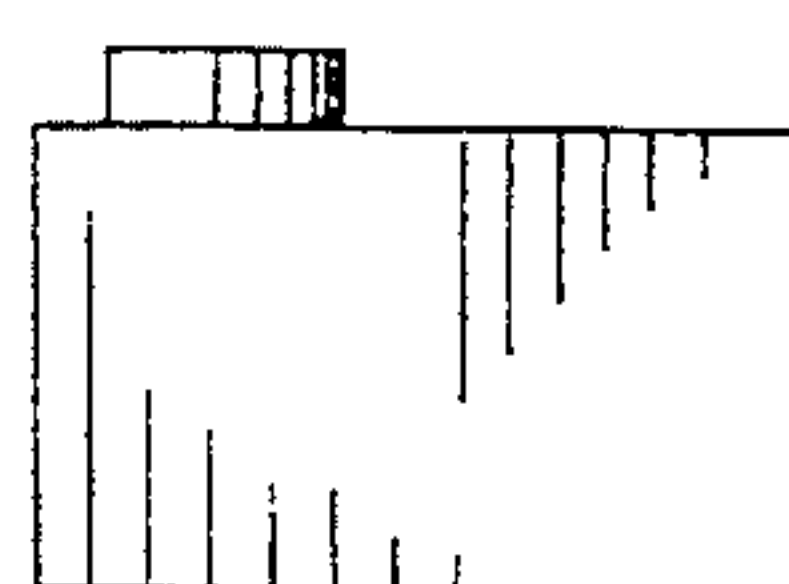


FIG. 4