



US00D350162S

United States Patent [19]

[11] Patent Number: **Des. 350,162**

Adell

[45] Date of Patent: **** Aug. 30, 1994**

[54] **COMBINED COASTER AND SINGLE TRAP LOTTERY PICKER**

5,000,413 3/1991 Kawashima 248/346.1

[76] Inventor: **Robert Adell**, 31800 S. Brandingham, Franklin, Mich. 48025

FOREIGN PATENT DOCUMENTS

2255926 5/1974 Fed. Rep. of Germany ... 273/144 B

2553153 7/1976 Fed. Rep. of Germany ... 273/144 B

[*] Notice: The portion of the term of this patent subsequent to Apr. 26, 2008 has been disclaimed.

Primary Examiner—Terry A. Wallace
Attorney, Agent, or Firm—Alex Rhodes

[**] Term: **14 Years**

[57] CLAIM

[21] Appl. No.: **14,247**

The ornamental design for a combined coaster and single trap lottery picker, as shown and described.

[22] Filed: **Oct. 18, 1993**

DESCRIPTION

[52] U.S. Cl. **D21/37; D7/624**

[58] Field of Search **D7/624-625; 215/100.5; 248/346.1; 273/138 R, 138 A, 144 B, 145 C, 145 CA; D21/37, 39, 17, 20**

FIG. 1 is a perspective view showing the top and front of a combined coaster and single trap lottery picker, showing my new design;

FIG. 2 is a top plan view thereof;

FIG. 3 is a right side view, the left side view being symmetrically opposite the right side view;

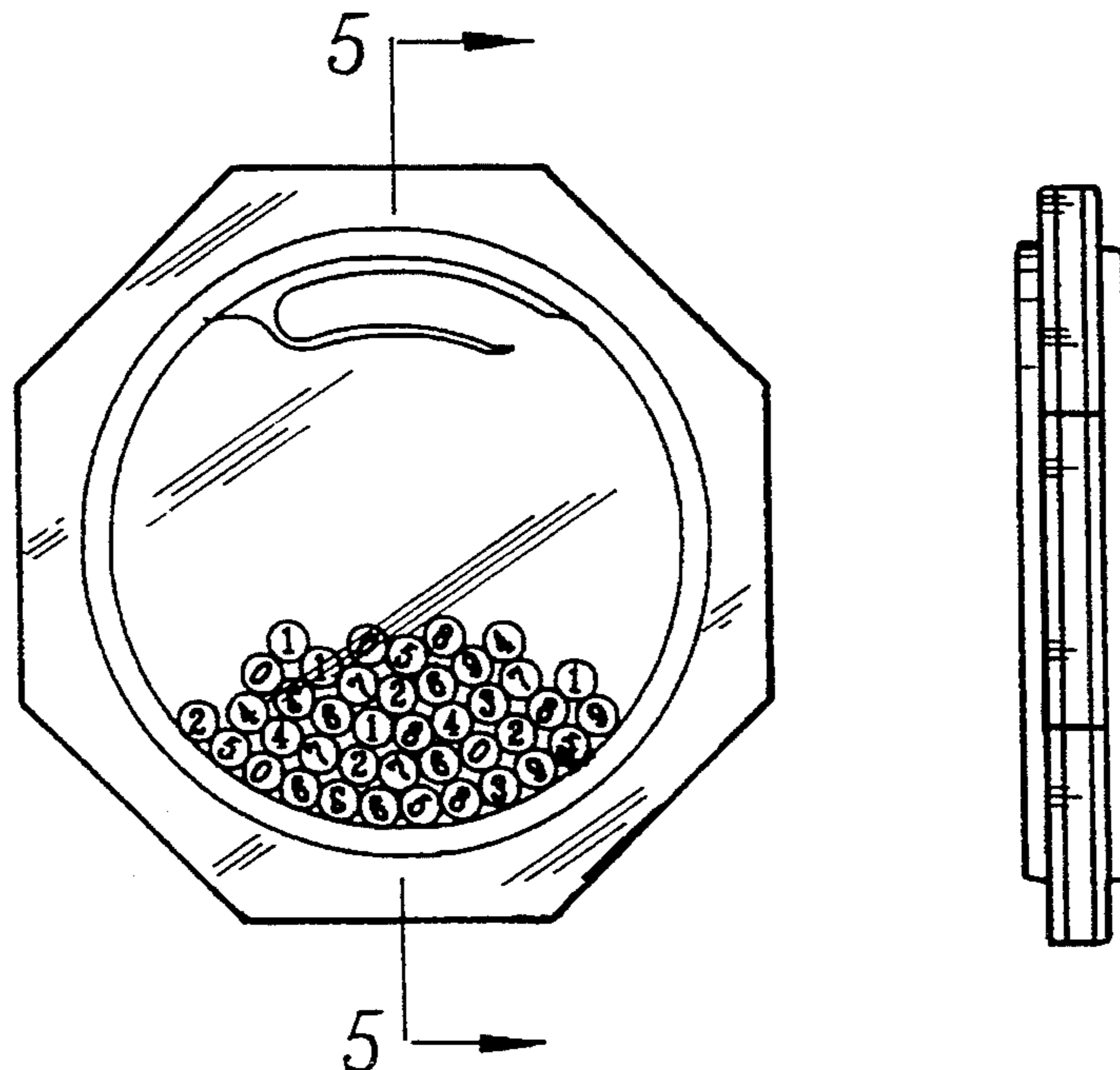
FIG. 4 is a bottom plan view thereof; and,

FIG. 5 is a cross sectional view taken on the line 5—5 of FIG. 2.

[56] References Cited

U.S. PATENT DOCUMENTS

D. 339,829 9/1993 Adell D7/624 X
4,858,873 8/1989 Wilmoth et al. 248/346.1



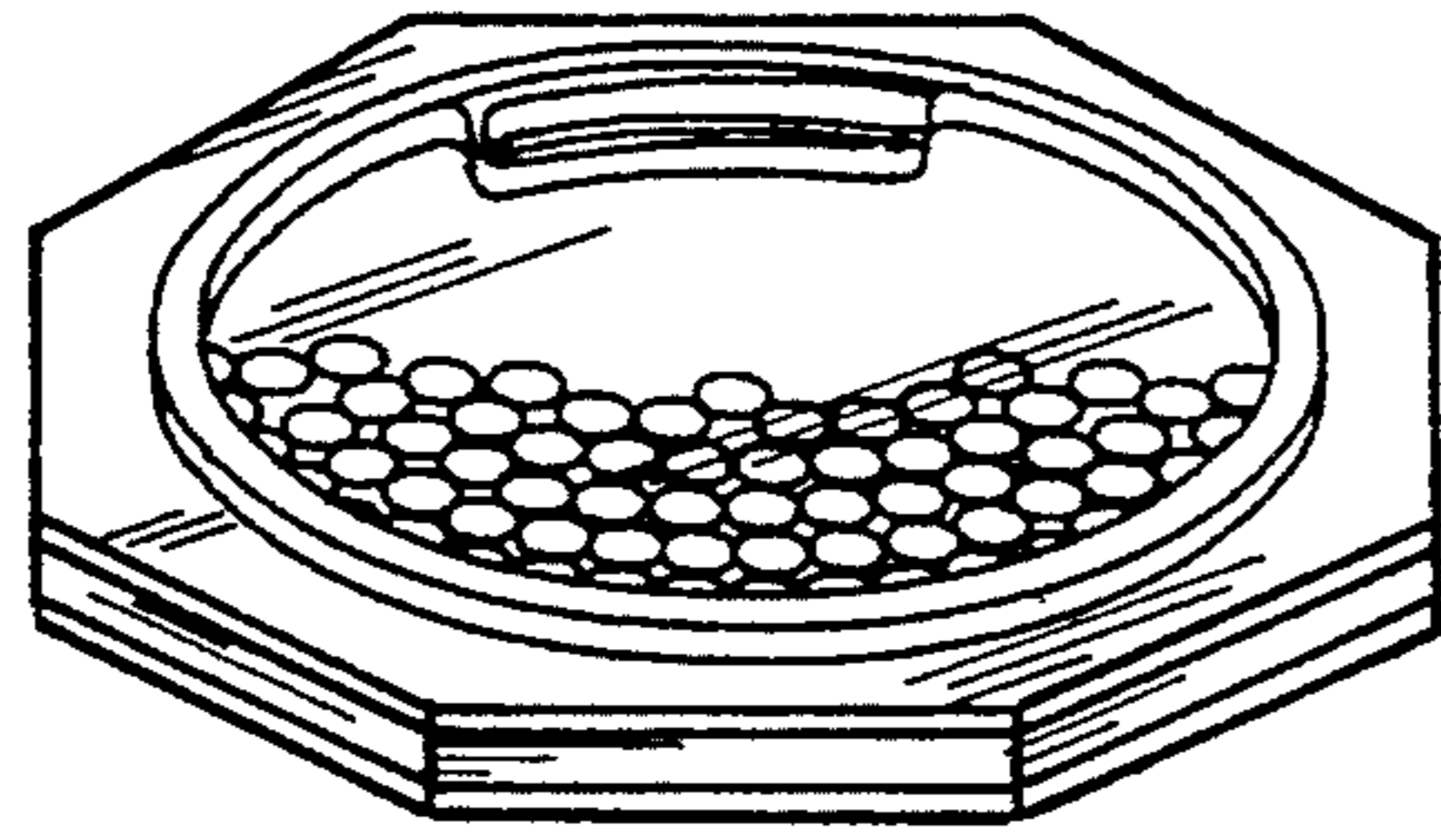


FIG. 1



FIG. 3

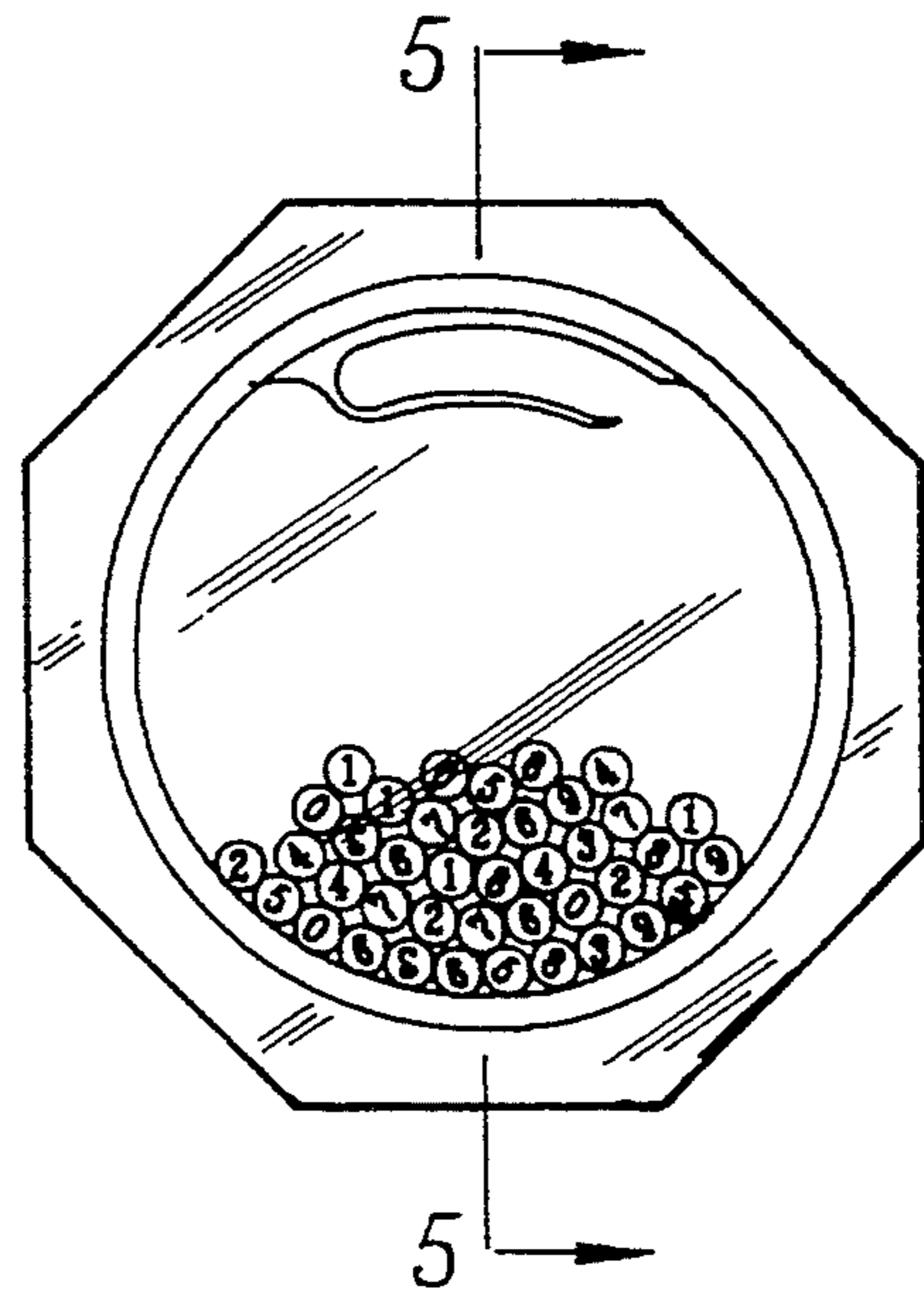


FIG. 2



FIG. 5

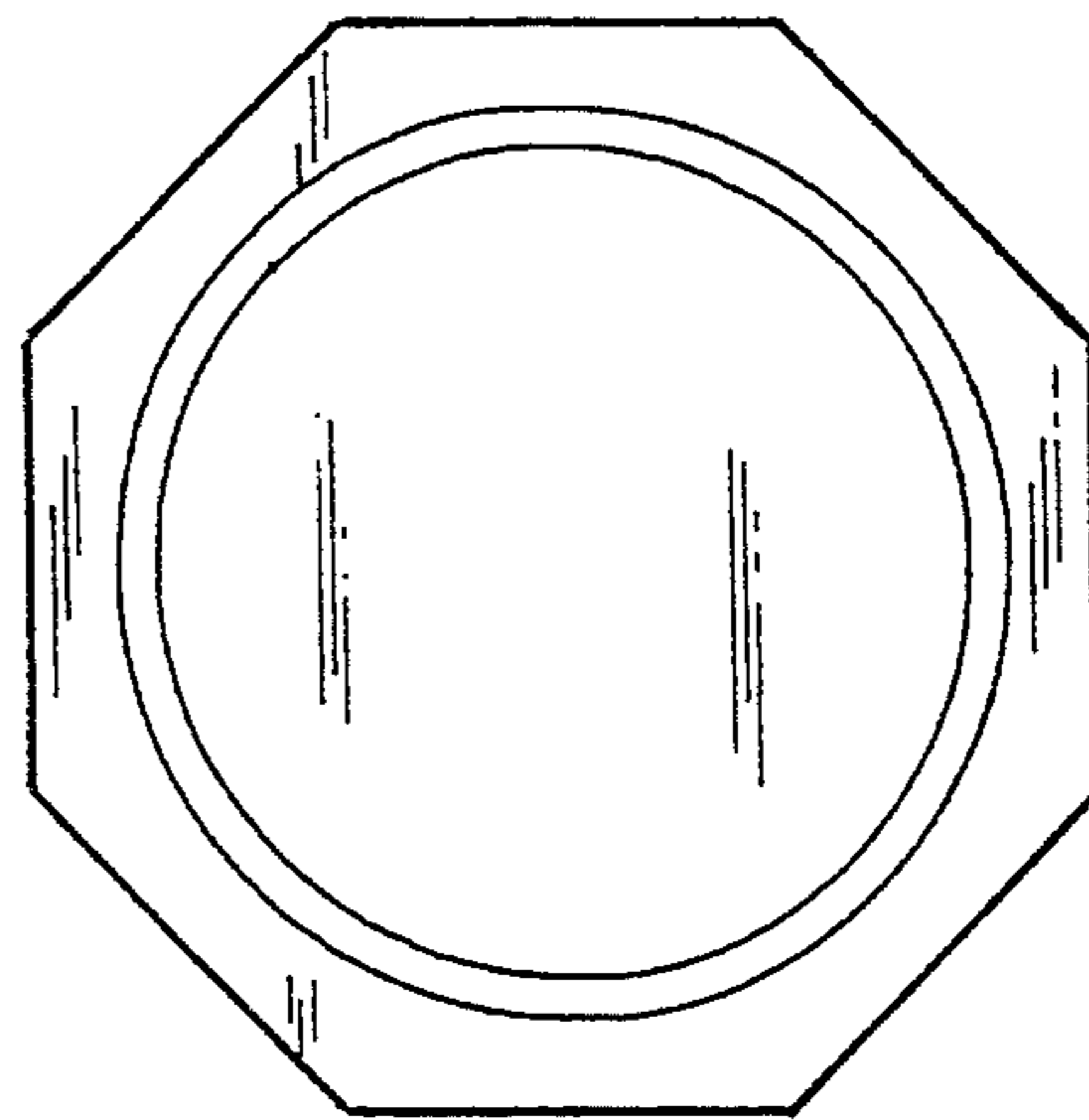


FIG. 4