



US00D350157S

United States Patent [19] Hart

[11] Patent Number: Des. 350,157
[45] Date of Patent: ** Aug. 30, 1994

[54] DISPLAY CABINET FOR ATTACHMENT TO A STORAGE RACK

[75] Inventor: Douglas M. Hart, Sacramento, Calif.

[73] Assignee: Orepac Building Products, Wilsonville, Oreg.

[**] Term: 14 Years

[21] Appl. No.: 6,000

[22] Filed: Mar. 16, 1993

[52] U.S. Cl. D20/43

[58] Field of Search 6/512-513; 40/642, 649, 657, 661; D20/10, 15, 42-43

[56] **References Cited**

U.S. PATENT DOCUMENTS

- D. 252,377 7/1979 Mallory et al. D20/43
- D. 306,878 3/1990 Crowley D20/43
- D. 313,916 1/1991 Ballard D6/553
- 4,366,906 1/1983 Joyce D6/553 X

4,866,868 9/1989 Kass 40/661

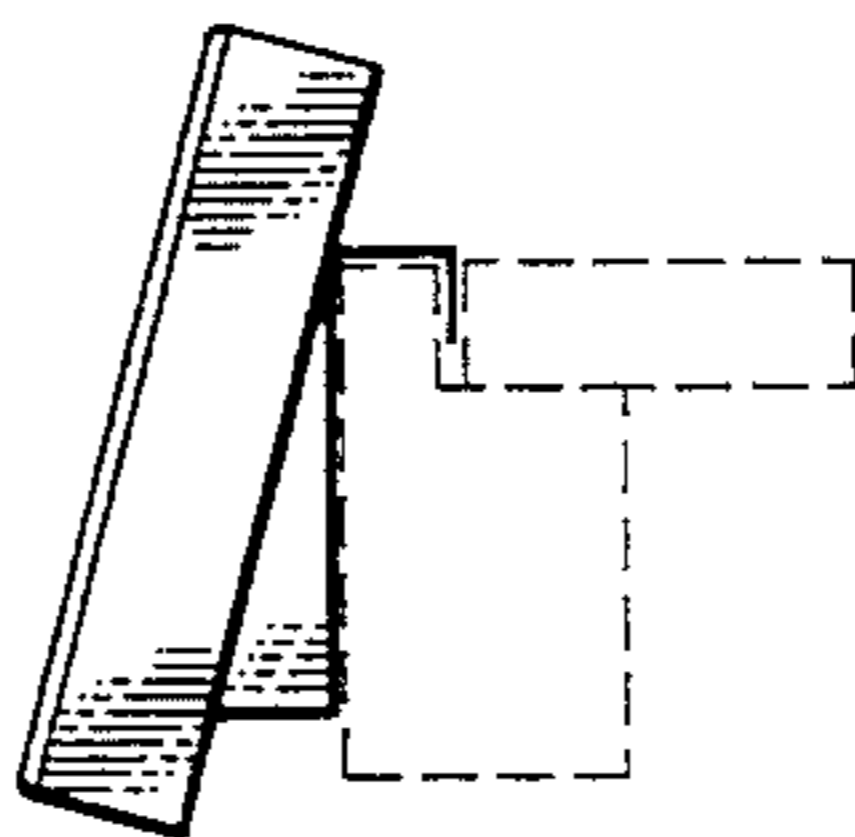
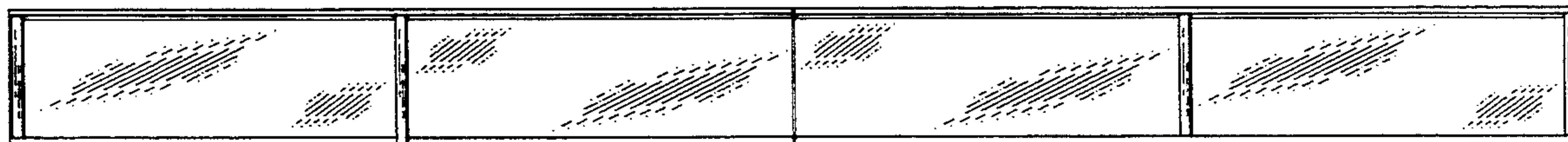
Primary Examiner—Brian N. Vinson
Attorney, Agent, or Firm—Thomas R. Lampe

[57] **CLAIM**

The ornamental design for a display cabinet for attachment to a storage rack, as shown and described.

DESCRIPTION

FIG. 1 is a front and right side perspective view of a display cabinet for attachment to a storage rack showing my new design;
FIG. 2 is a top plan view thereof;
FIG. 3 is a front elevational view thereof;
FIG. 4 is a bottom plan view thereof;
FIG. 5 is a rear elevational view thereof;
FIG. 6 is a left side view thereof; and,
FIG. 7 is a right side view thereof, the fragmentary broken line disclosure of a portion of a storage rack being for illustrative purposes only and forming no part of the claimed design.



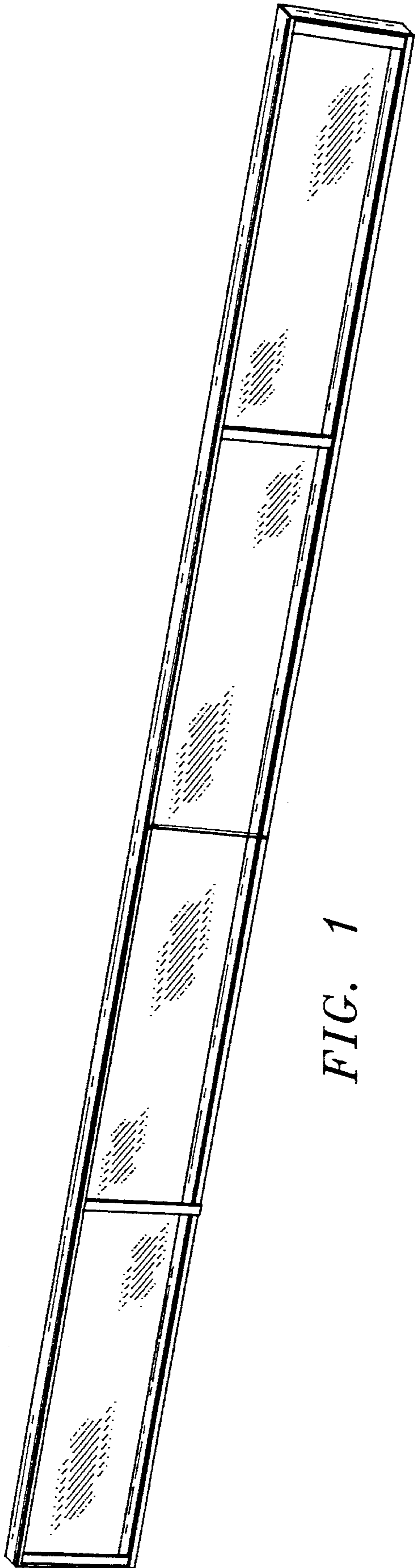


FIG. 1

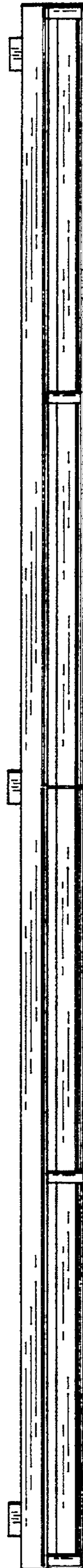


FIG. 2

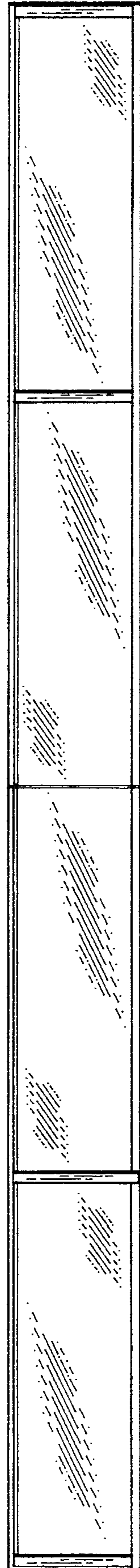


FIG. 3

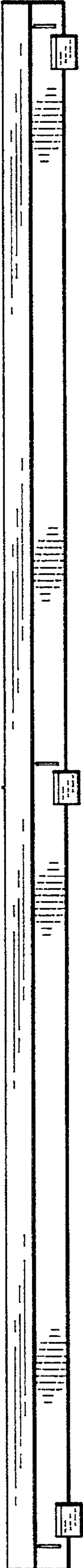


FIG. 4

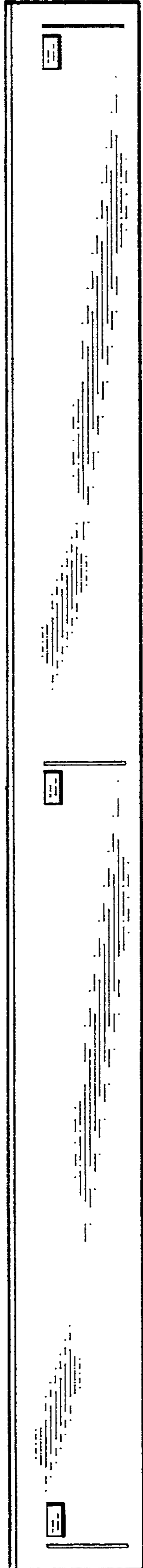


FIG. 5

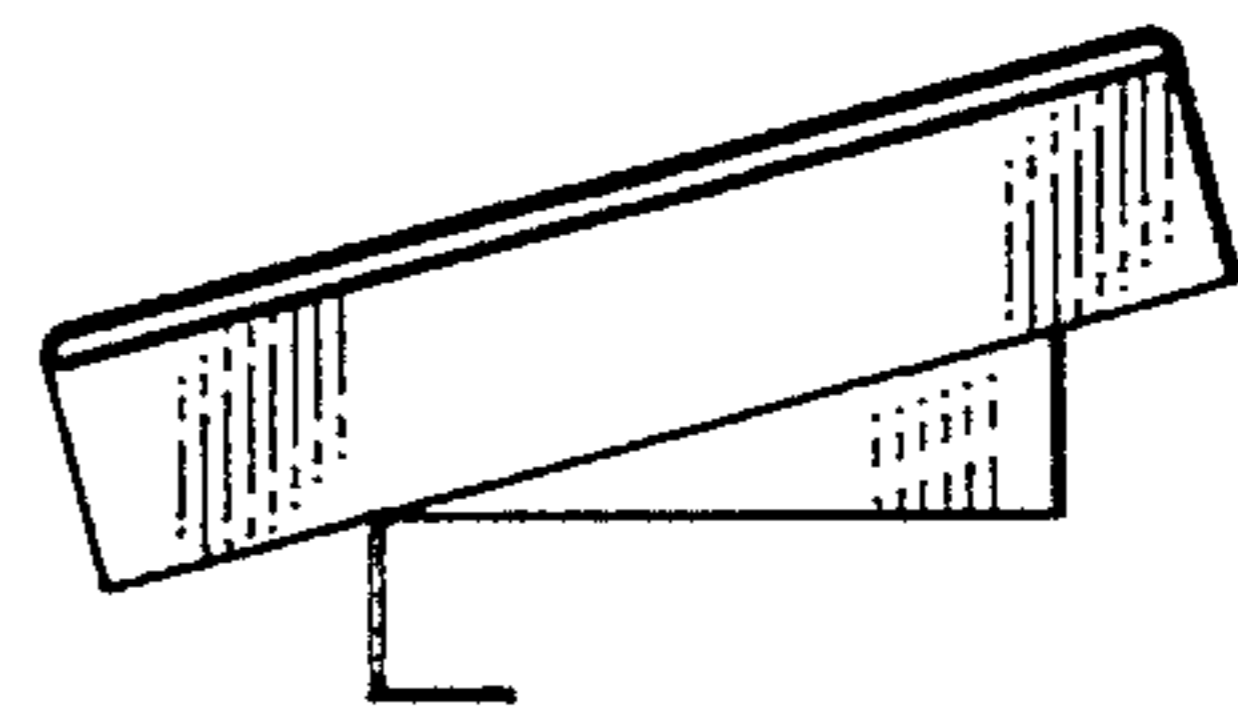


FIG. 6

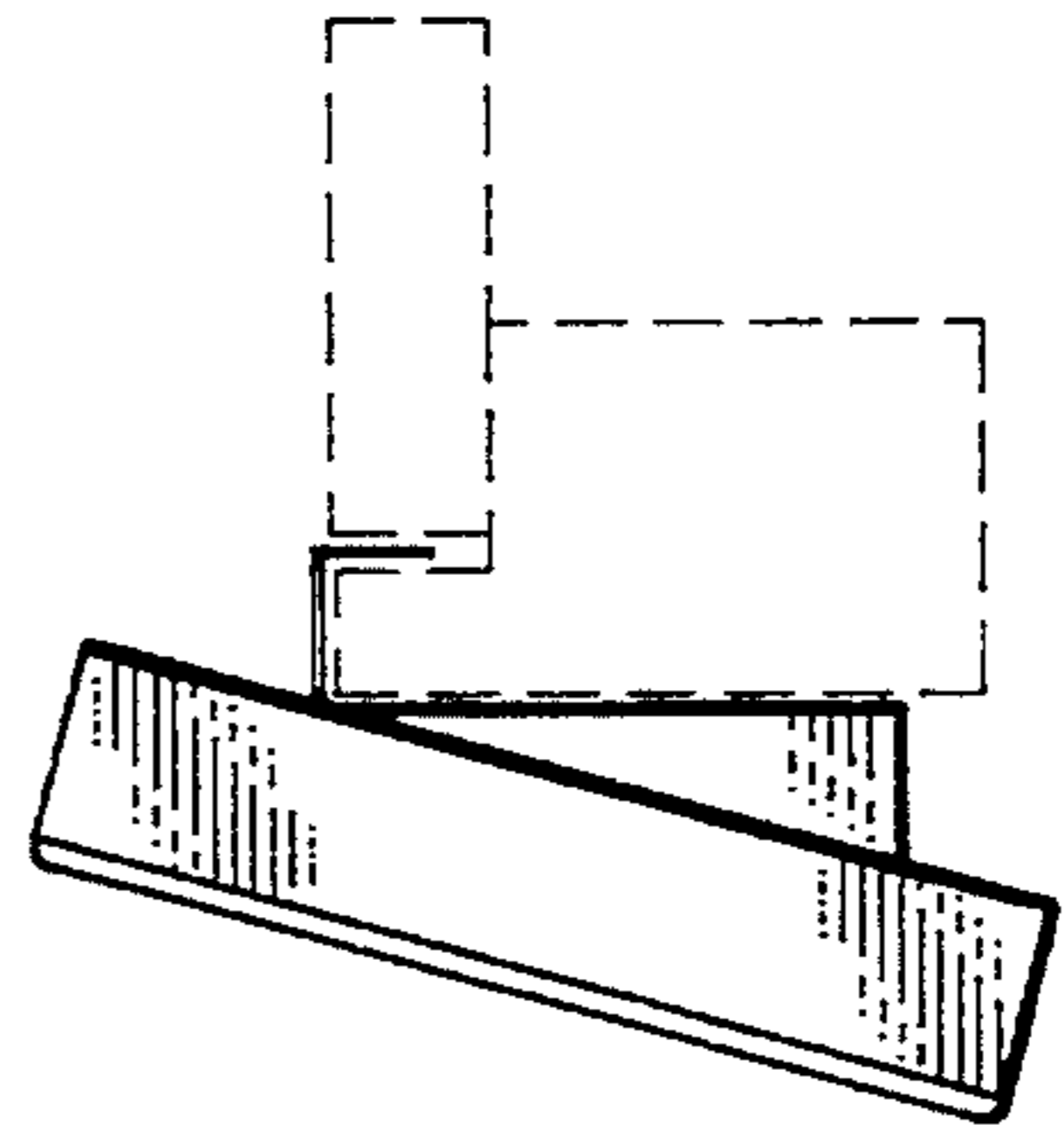


FIG. 7