



US00D350154S

United States Patent [19]

[11] Patent Number: **Des. 350,154**

Höhner

[45] Date of Patent: **** Aug. 30, 1994**

[54] **DESK TYPE HOLDER FOR BALL POINT PENS**

[75] Inventor: **Hans M. Höhner**, Wolfach, Fed. Rep. of Germany

[73] Assignee: **Klio Eterna Schreibgerate GmbH & Co. KG**, Wolfach, Fed. Rep. of Germany

[**] Term: **14 Years**

[21] Appl. No.: **8,592**

[22] Filed: **May 19, 1993**

[30] **Foreign Application Priority Data**

Jan. 12, 1993 [DE] Fed. Rep. of Germany ... M9300265

[52] U.S. Cl. **D19/84; D19/96**

[58] Field of Search 211/69.1-69.9; 206/214, 224, 371; D19/35, 36, 65, 75, 77, 81, 83, 84, 85

[56] **References Cited**

U.S. PATENT DOCUMENTS

D. 86,825	4/1932	Branch	D19/84 X
D. 146,656	4/1947	Hamilton, Jr. et al.	D19/84 X
D. 150,881	9/1948	May et al.	D19/84 X
D. 166,076	3/1952	Glaberson	D19/84
D. 191,339	9/1961	Hose et al.	D19/84
D. 253,897	1/1980	Cross	D19/75

Primary Examiner—Martie Thompson
Attorney, Agent, or Firm—Darby & Darby

[57] **CLAIM**

The ornamental design for a desk type holder for ball point pens, as shown and described.

DESCRIPTION

FIG. 1 is a top, right front perspective view of a desk type holder for ball point pens showing my new design; FIG. 2 is a front elevational view thereof; FIG. 3 is a left-hand side elevational view thereof (the right-hand side elevational view is a mirror image of the left-hand side elevational view); FIG. 4 is a rear elevational view thereof; FIG. 5 is a top plan view thereof; and, FIG. 6 is a bottom plan view thereof.

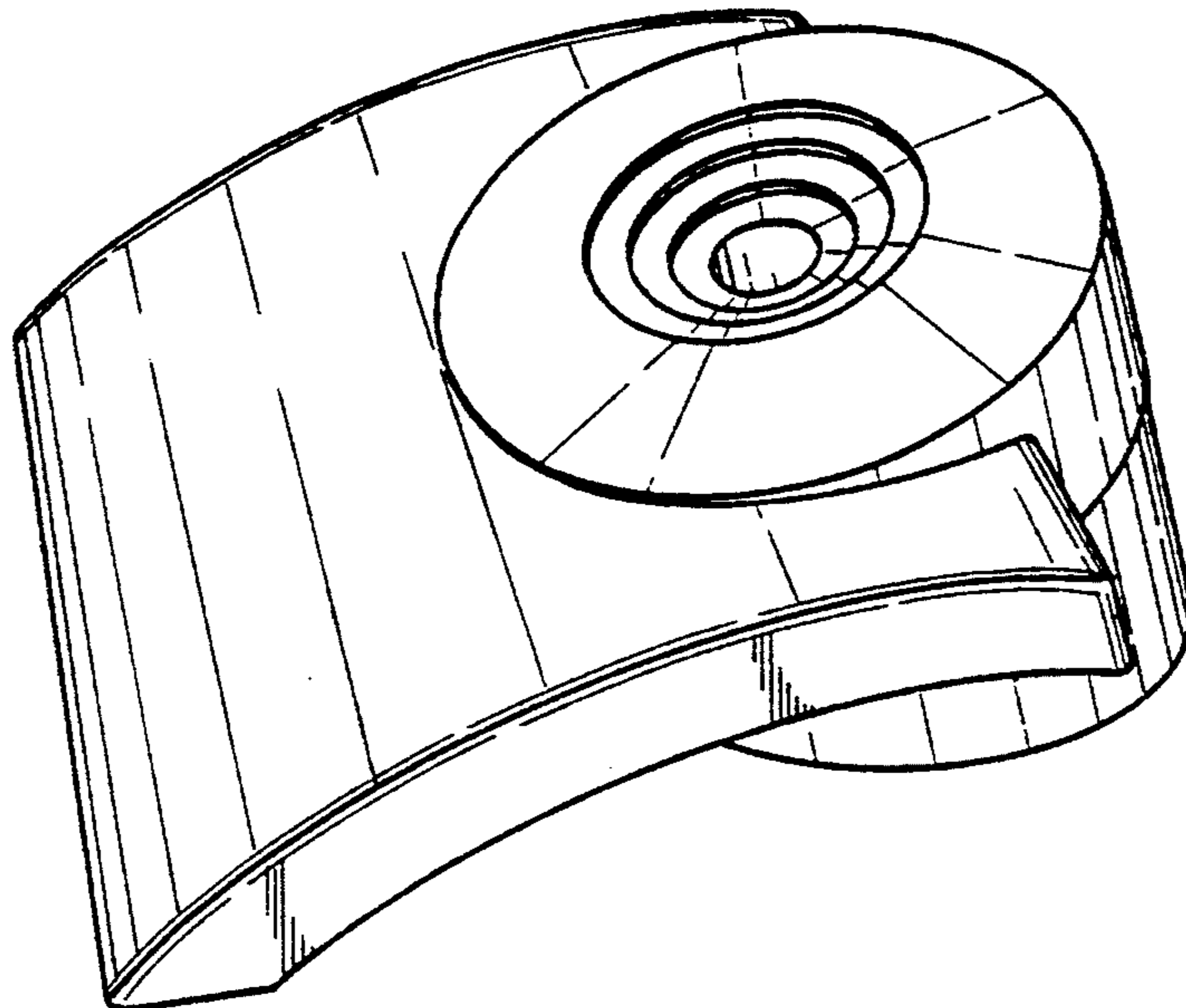


FIG. 1

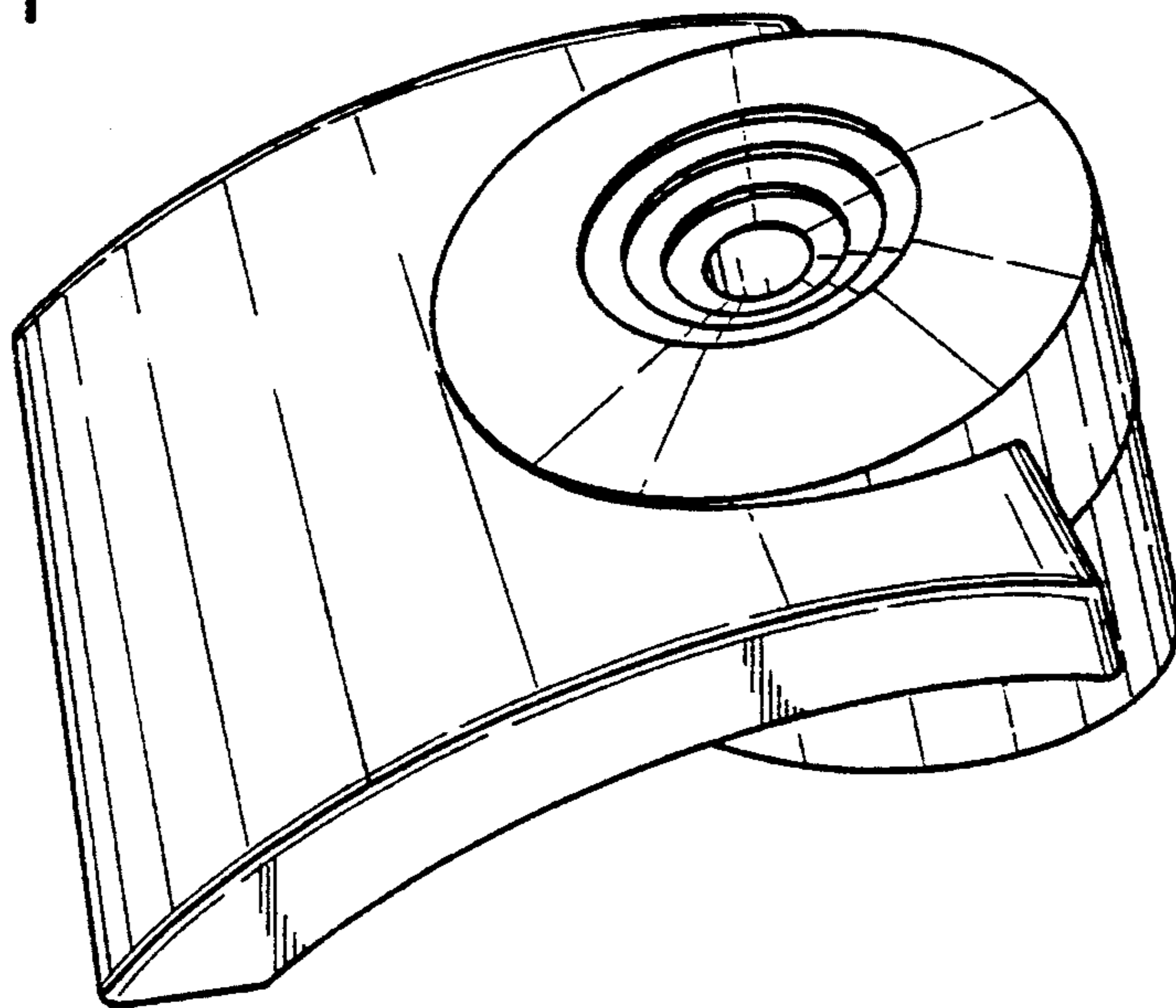


FIG. 2

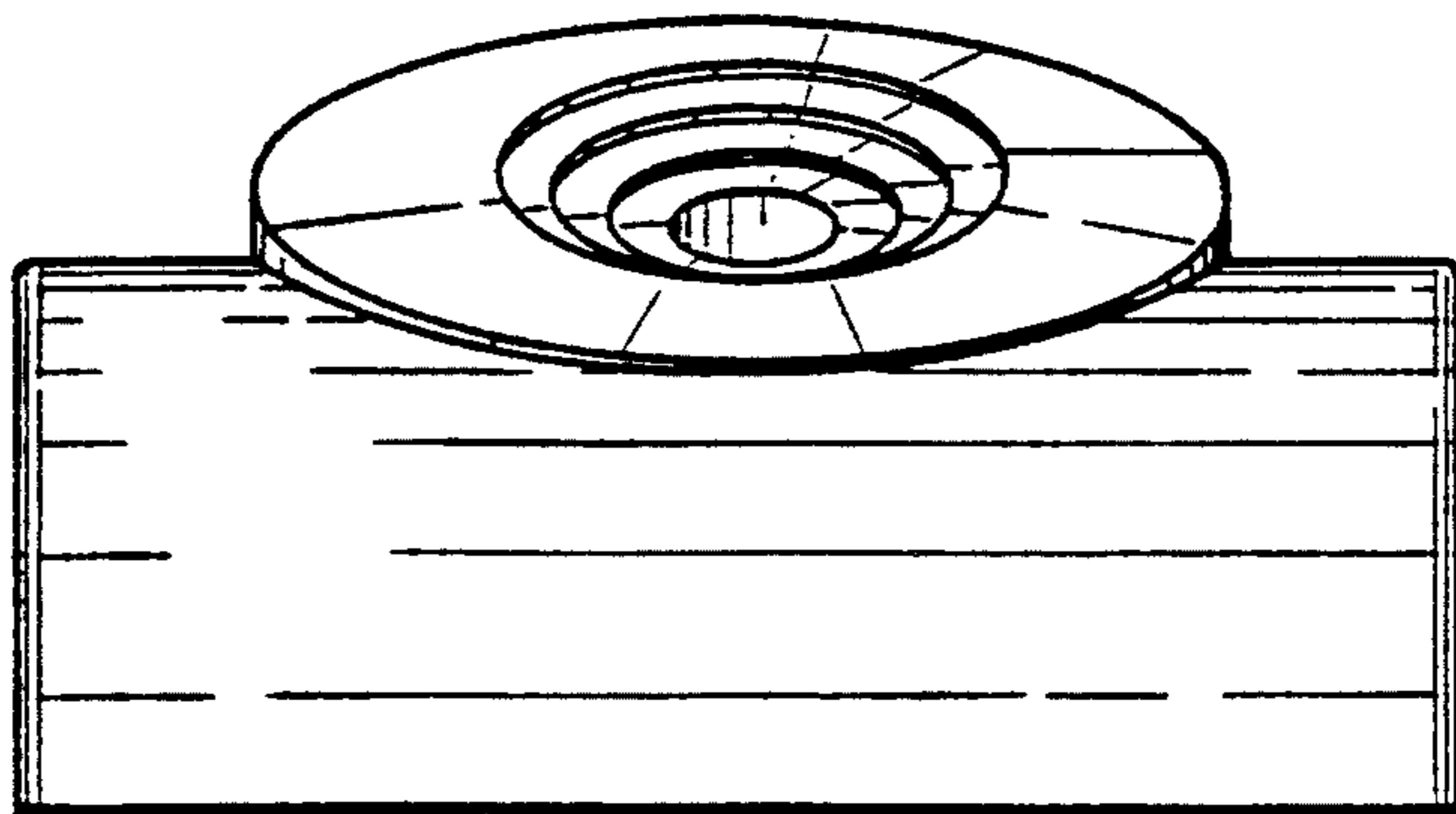


FIG. 3

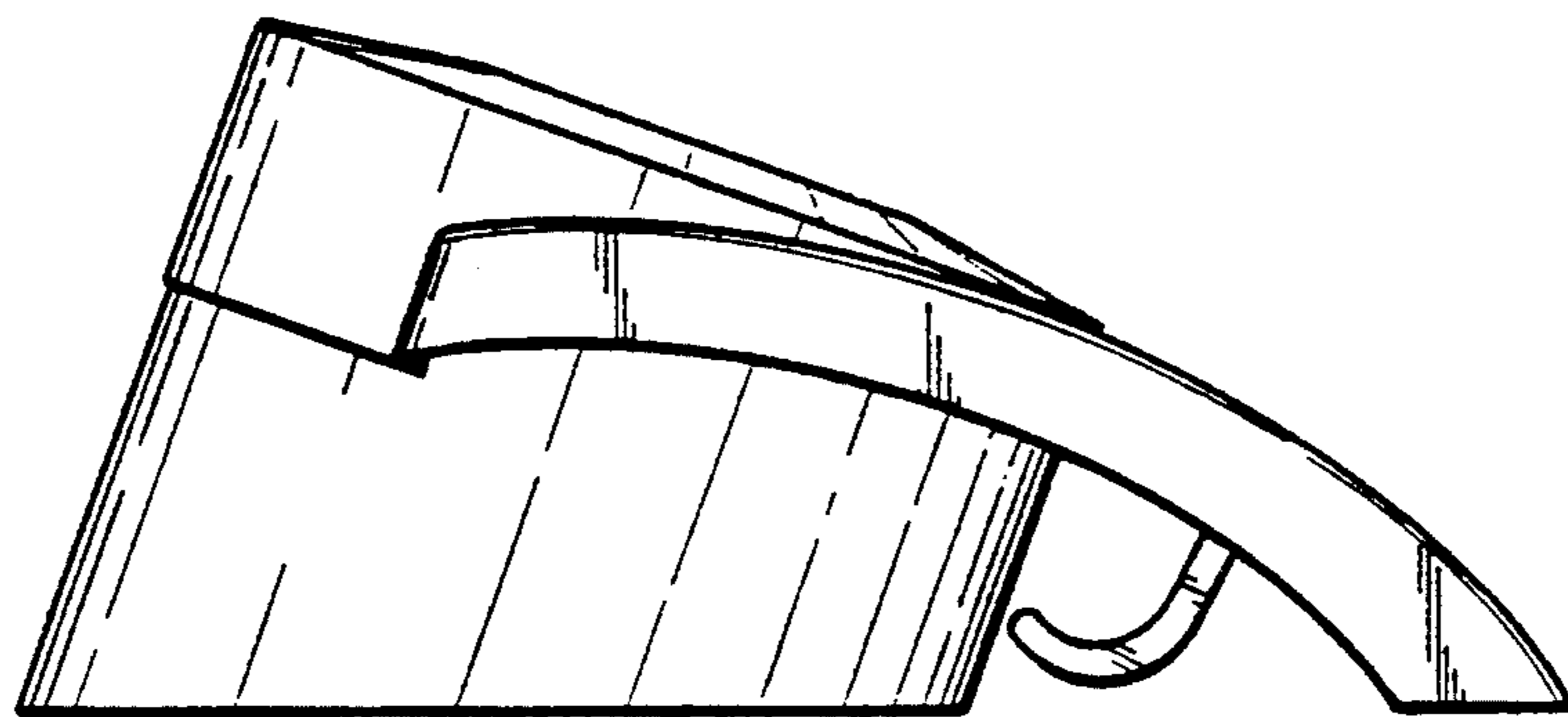


FIG. 4

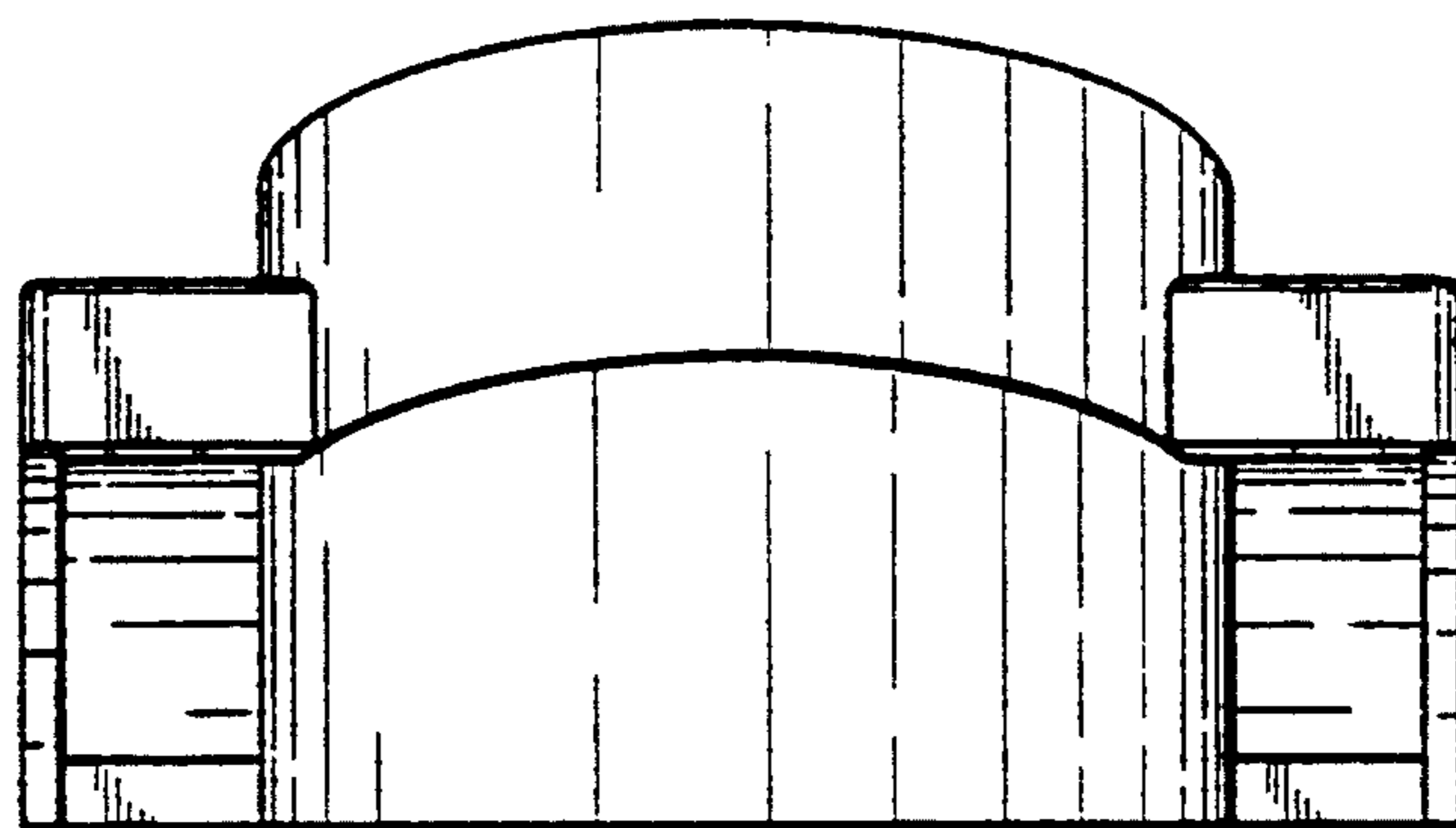


FIG. 5

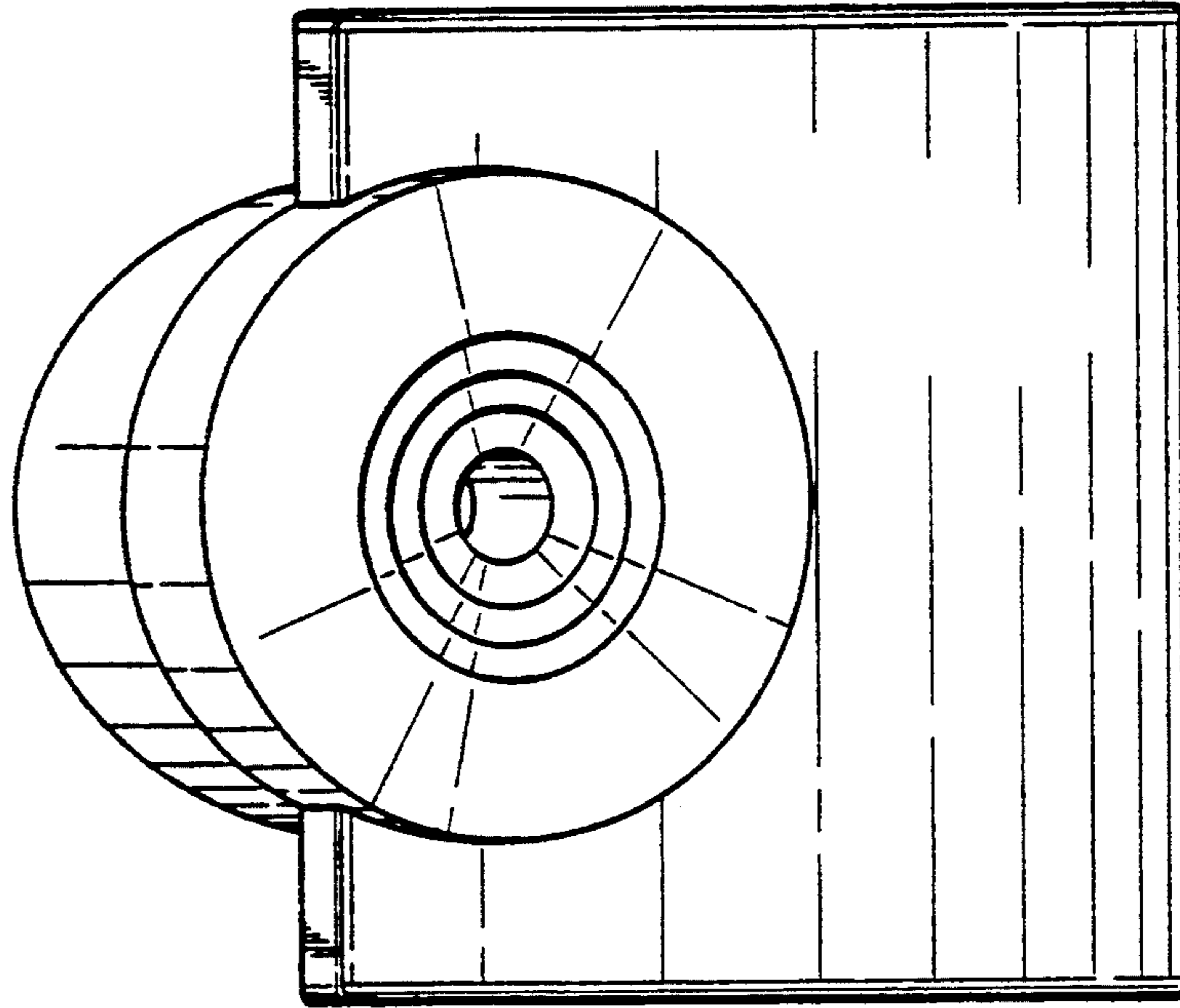


FIG. 6

