



US00D350151S

United States Patent [19]

Sugawara et al.

[11] Patent Number: **Des. 350,151**

[45] Date of Patent: **** Aug. 30, 1994**

- [54] **PRINTER FOR AN ELECTRONIC COMPUTER**
- [75] Inventors: **Koki Sugawara; Kazuo Yoshida**, both of Tokyo, Japan
- [73] Assignee: **Oki Electric Industry Co., Ltd.**, Tokyo, Japan
- [**] Term: **14 Years**
- [21] Appl. No.: **3,531**
- [22] Filed: **Jan. 15, 1993**

- [30] **Foreign Application Priority Data**
- Jul. 31, 1992 [JP] Japan 4-22770
- [52] U.S. Cl. **D18/55**
- [58] Field of Search 400/691-694,
400/690.1-690.4, 613, 613.1-613.4; D18/36,
37, 50, 54-55

[56] **References Cited**
U.S. PATENT DOCUMENTS

D. 197,539	2/1964	Knowles	D18/36
D. 267,799	2/1983	Esaki et al.	D14/118
D. 273,953	5/1984	Labey	D18/55
D. 281,256	11/1985	Yamamoto	D18/55
D. 286,153	10/1986	Davis	D18/55
D. 287,728	1/1987	Hara	D18/54
D. 295,856	5/1988	Hara	D18/54
D. 300,532	4/1989	Yoshihama	D14/118
D. 304,186	10/1989	Kojima	D14/118
D. 326,867	6/1992	Kwak	D18/55
D. 330,043	10/1992	Reese	D18/55
D. 339,801	9/1993	Urushihara et al.	D18/36
D. 340,471	10/1993	Yamamoto	18/50
D. 343,192	1/1994	Hirose	18/55

FOREIGN PATENT DOCUMENTS

62340	1/1989	Canada .
65697	3/1990	Canada .
65798	4/1990	Canada .
66457	7/1990	Canada .

- 8900464 9/1989 Fed. Rep. of Germany .
- 8903777 1/1990 Fed. Rep. of Germany .
- 8903796 1/1990 Fed. Rep. of Germany .
- 8804321 3/1990 Fed. Rep. of Germany .
- 8908872 9/1990 Fed. Rep. of Germany .

OTHER PUBLICATIONS

Océ Graphics Color Post Script Printer Brochure; ©1990; cover photograph.
Okidata OL 840 LED Page Printer Brochure; ©1992.
Guide to FOSE Exposition; p. 45; photo printer (bottom right corner).
SSI Business Center advertisement in Washington Times Newspaper; Aug. 1992; p. C7.
Catalogue By Sanyo Kabushiki Kaisha; 1988; SPX-608, 708, 716, 820 Models; SPX-716 cover photo shown.

Primary Examiner—Cathy Anne MacCormac
Attorney, Agent, or Firm—Wenderoth, Lind & Ponack

[57] **CLAIM**

The ornamental design for a printer for an electronic computer, as shown and described.

DESCRIPTION

FIG. 1 is a left side, top and front perspective view of a printer for an electronic computer showing our new design;
FIG. 2 is a right side, top and rear perspective view thereof;
FIG. 3 is a front elevational view thereof;
FIG. 4 is a rear elevational view thereof;
FIG. 5 is a top plan view thereof;
FIG. 6 is a bottom view thereof;
FIG. 7 is a left side elevational view thereof;
FIG. 8 is a right side elevational view thereof;
FIG. 9 is a perspective view in which all movable parts are open/extended;
FIG. 10 is a front, bottom and right side perspective view of the printer as a sheet holder is extended; and,
FIG. 11 is a perspective view of a sheet holder to show the inside.

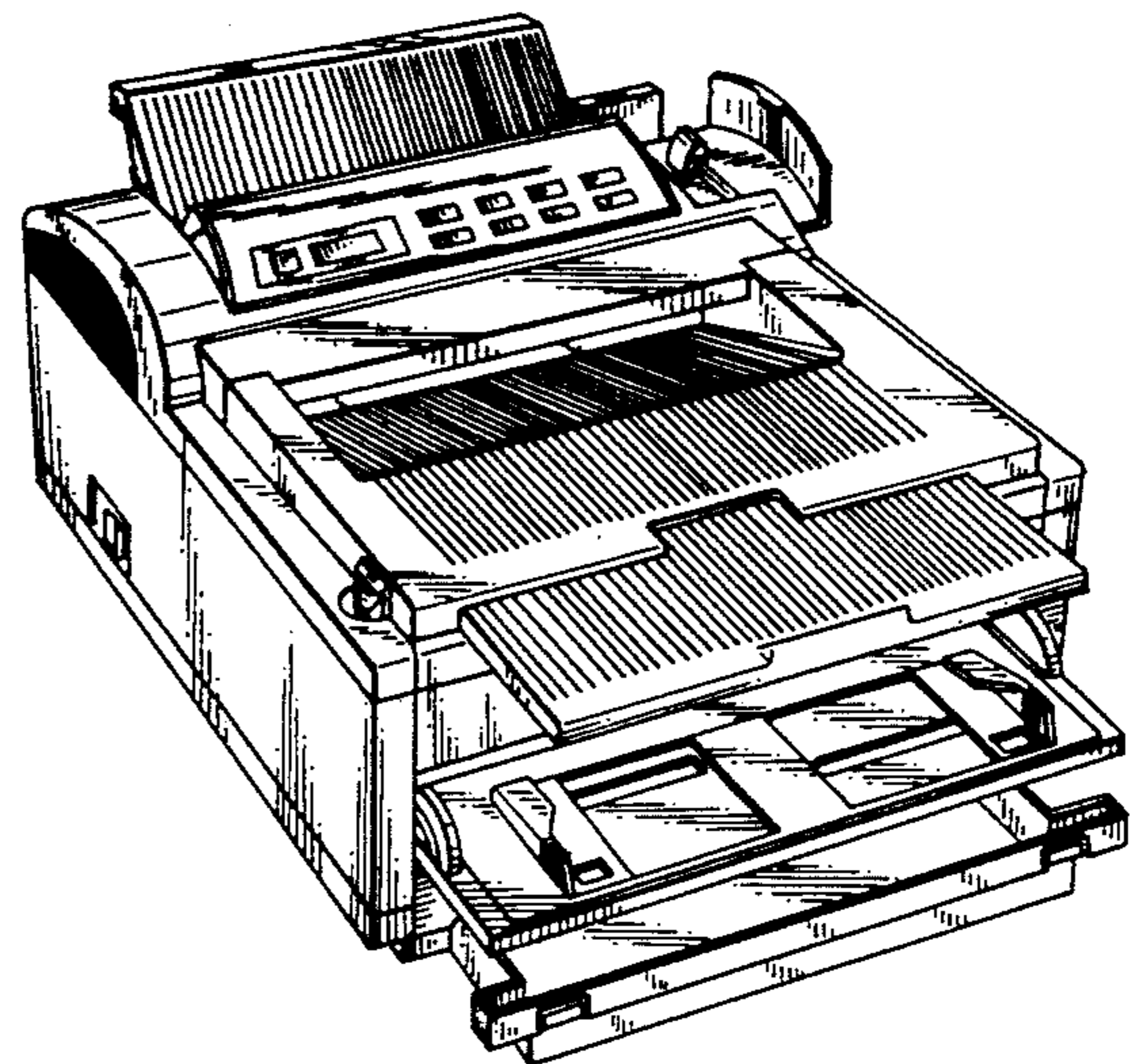
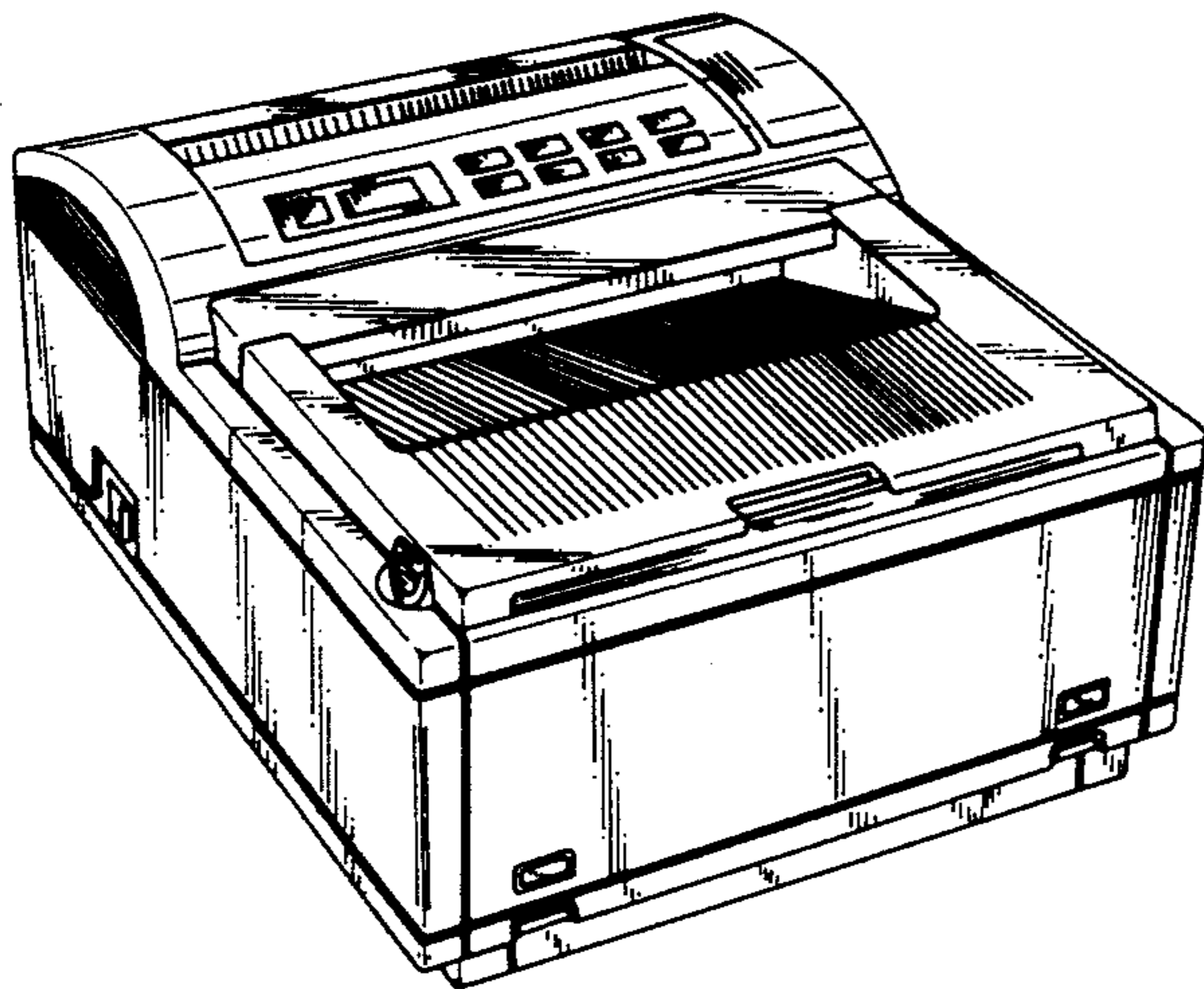


Fig. 1

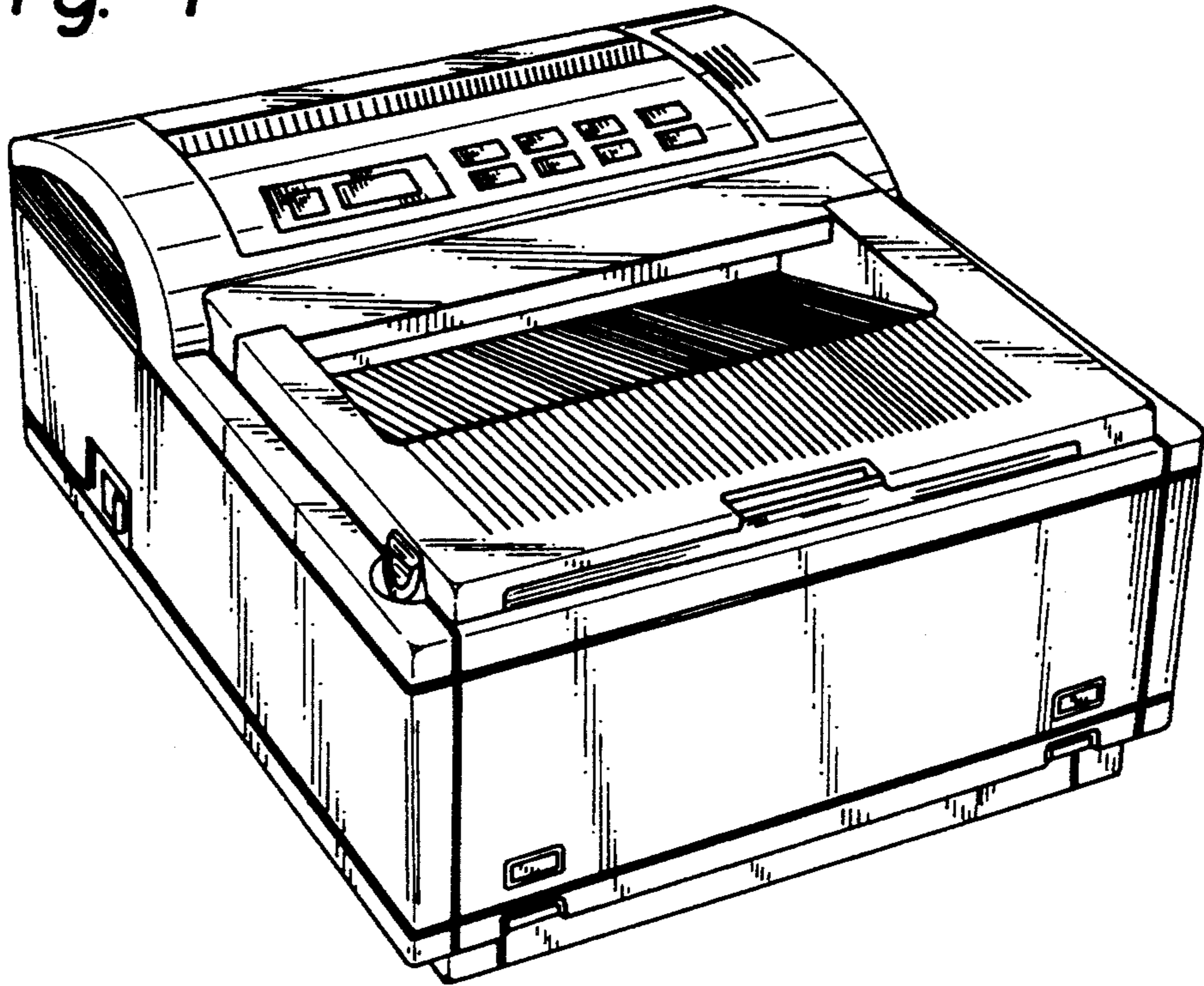


Fig. 2

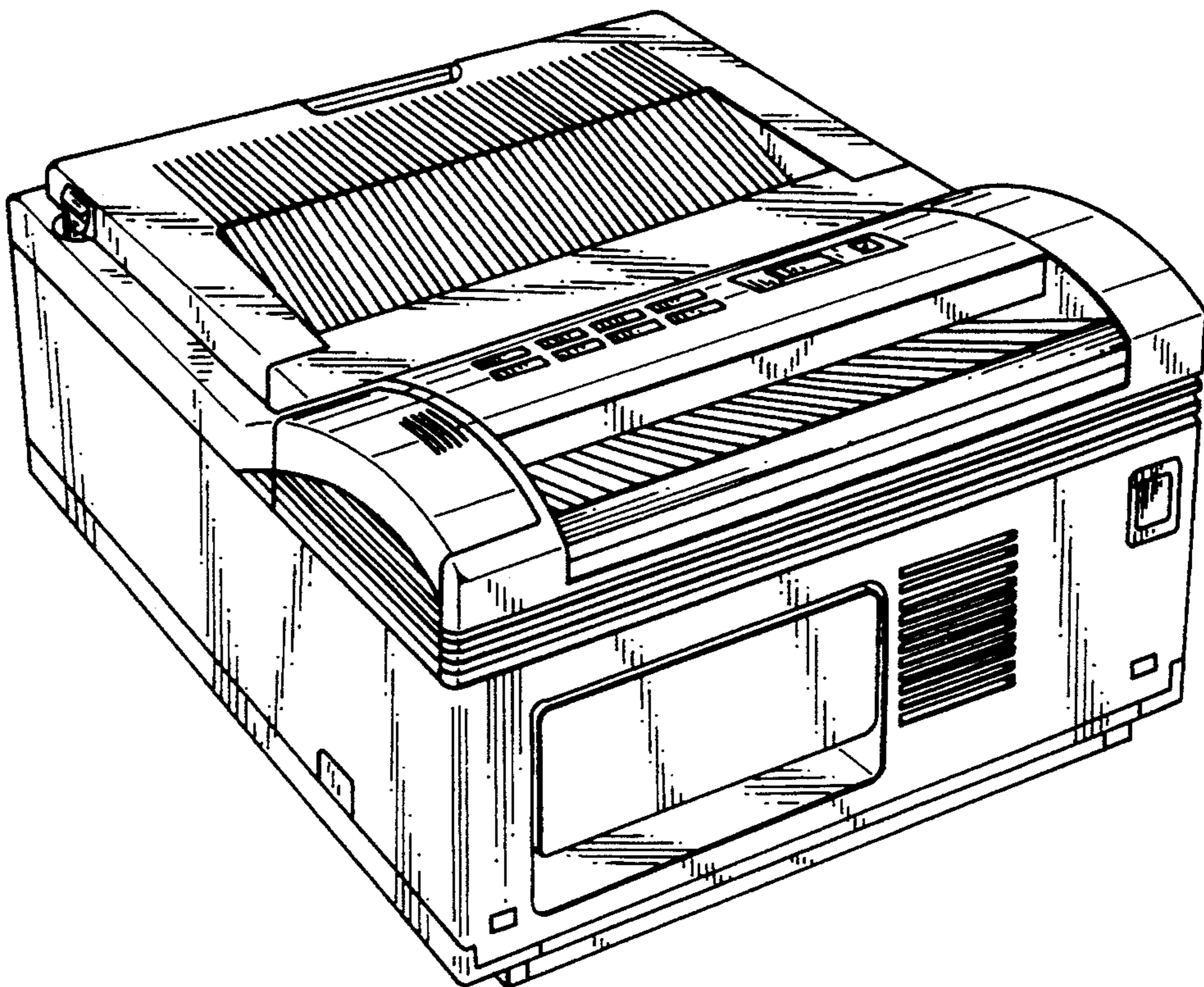


Fig. 3

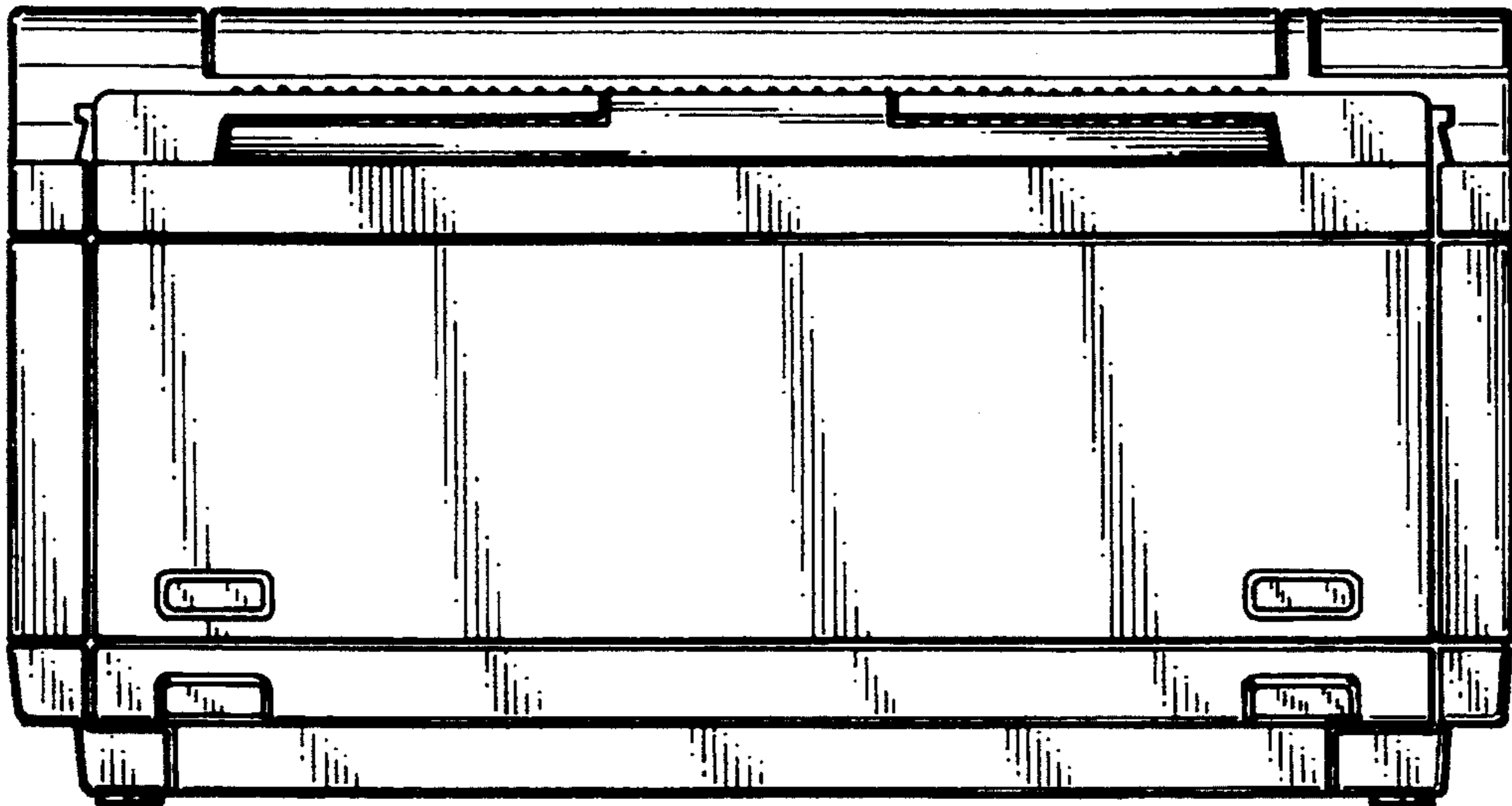


Fig. 4

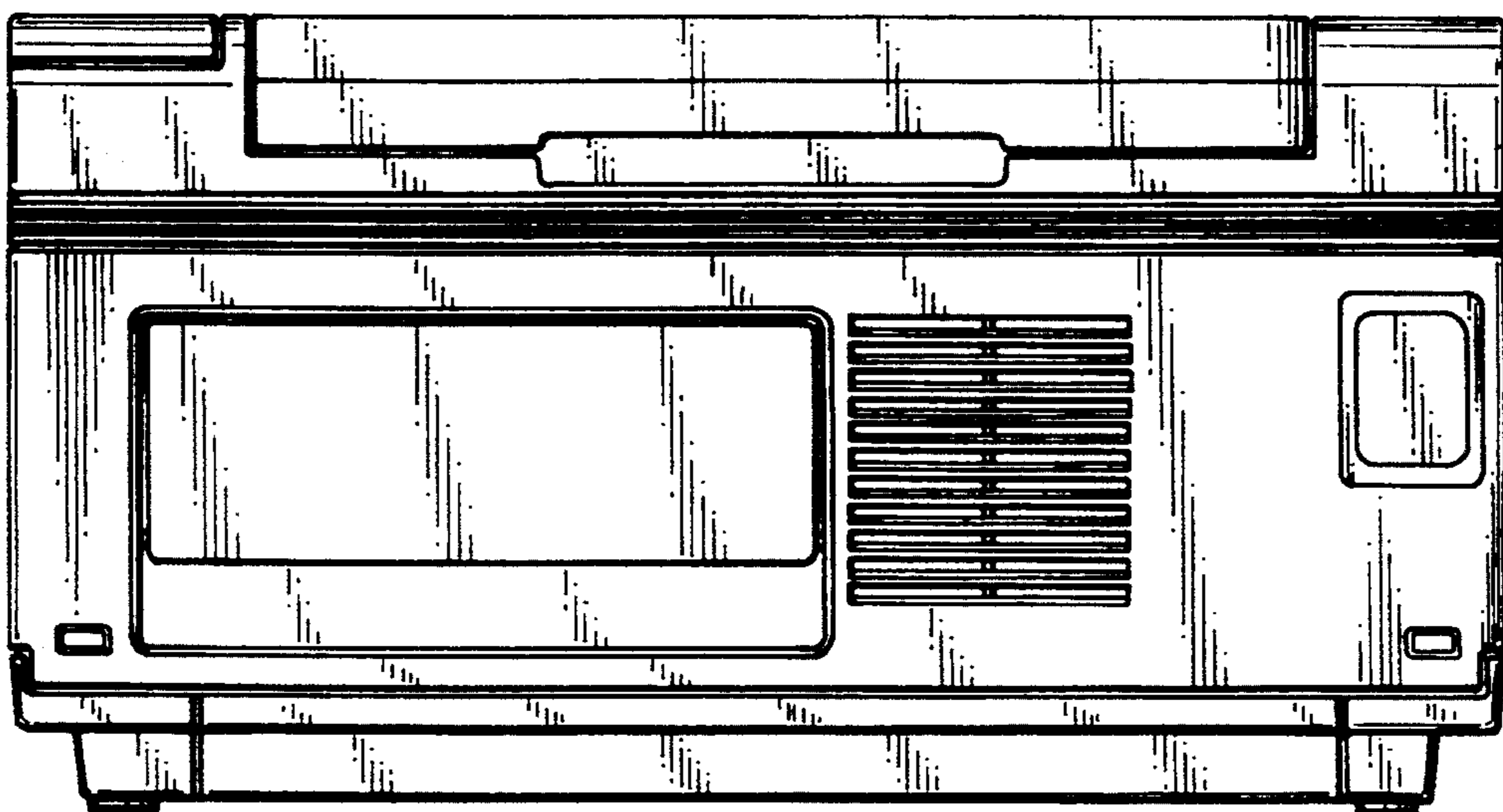


Fig. 5

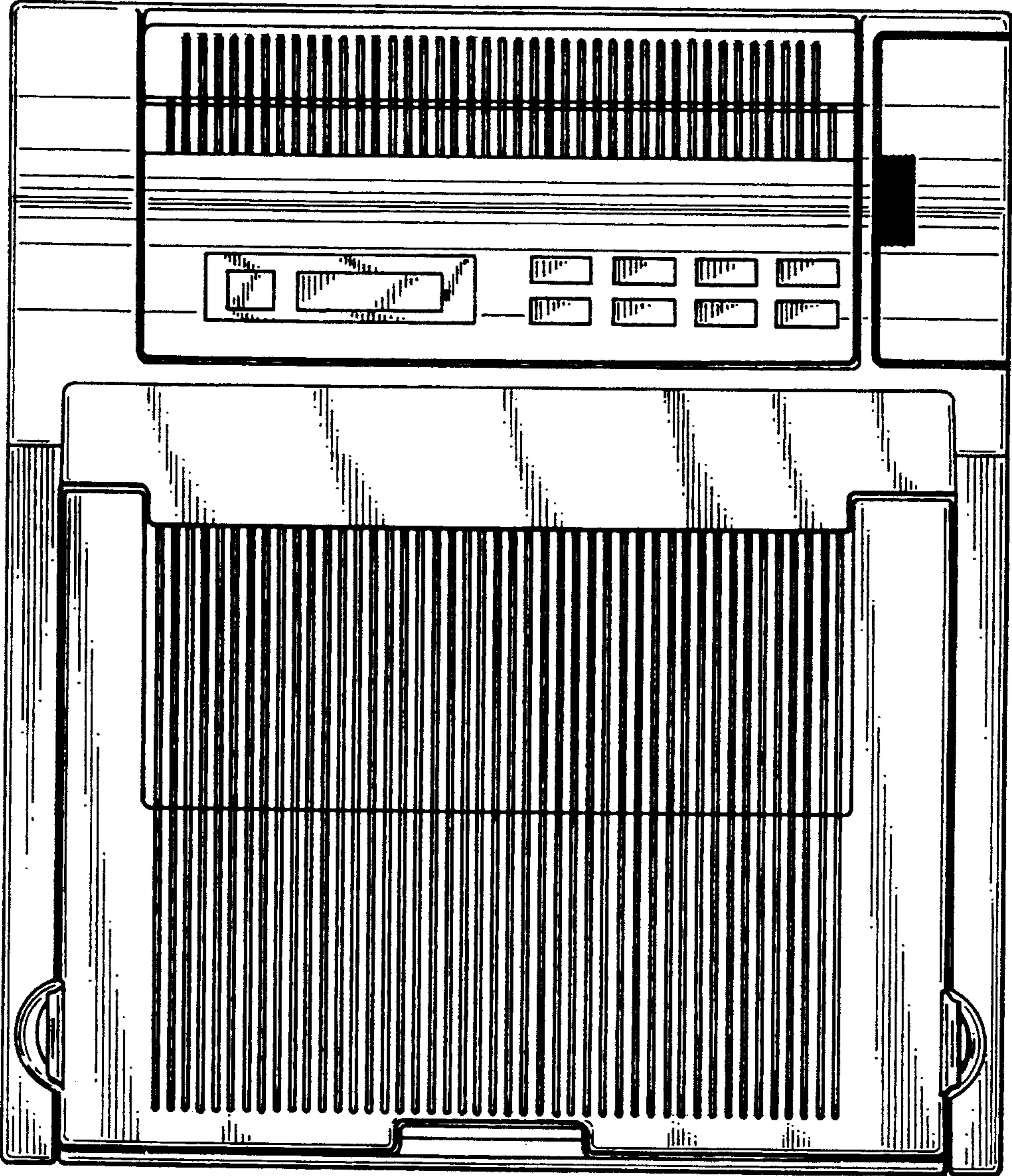


Fig. 6

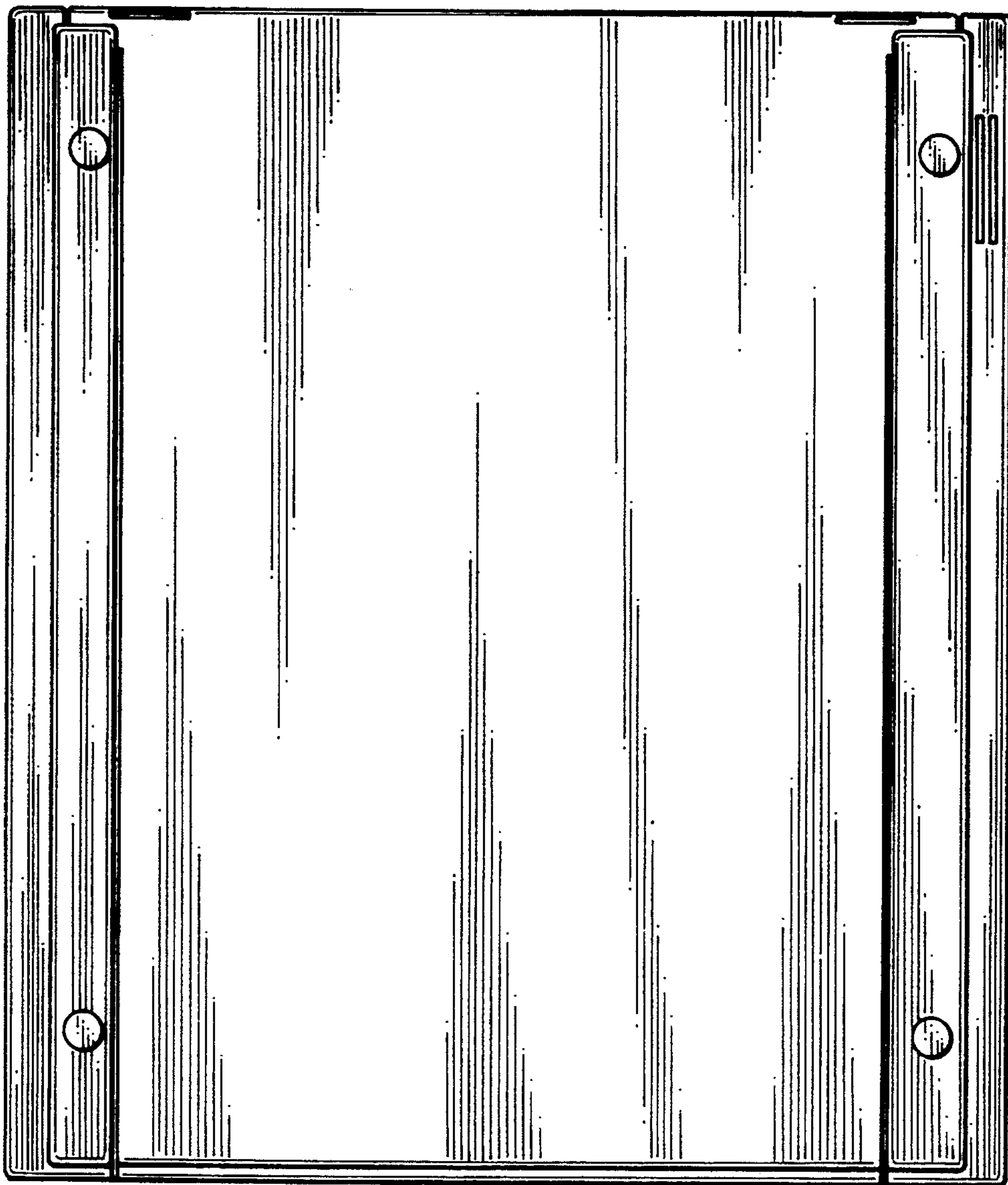


Fig. 7

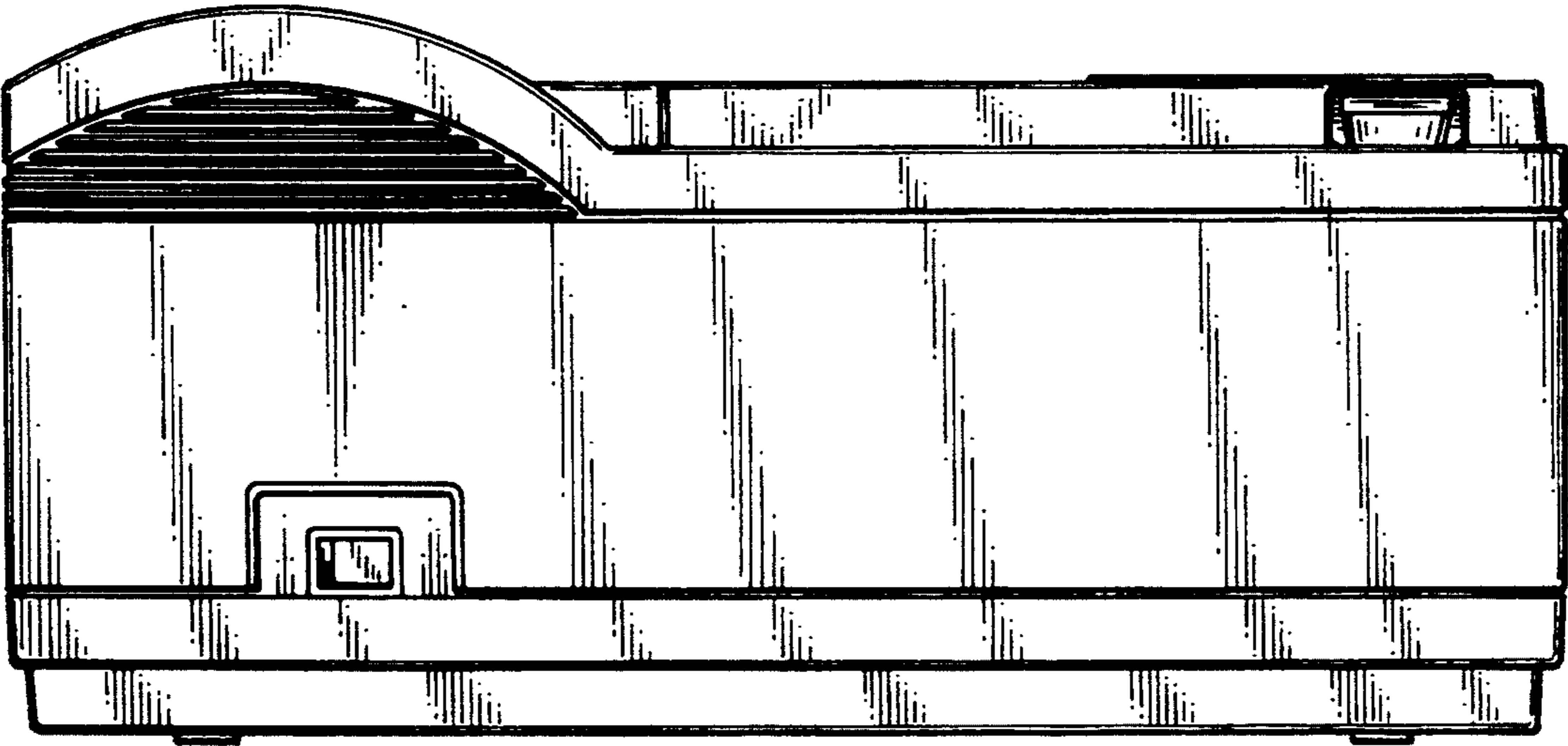


Fig. 8

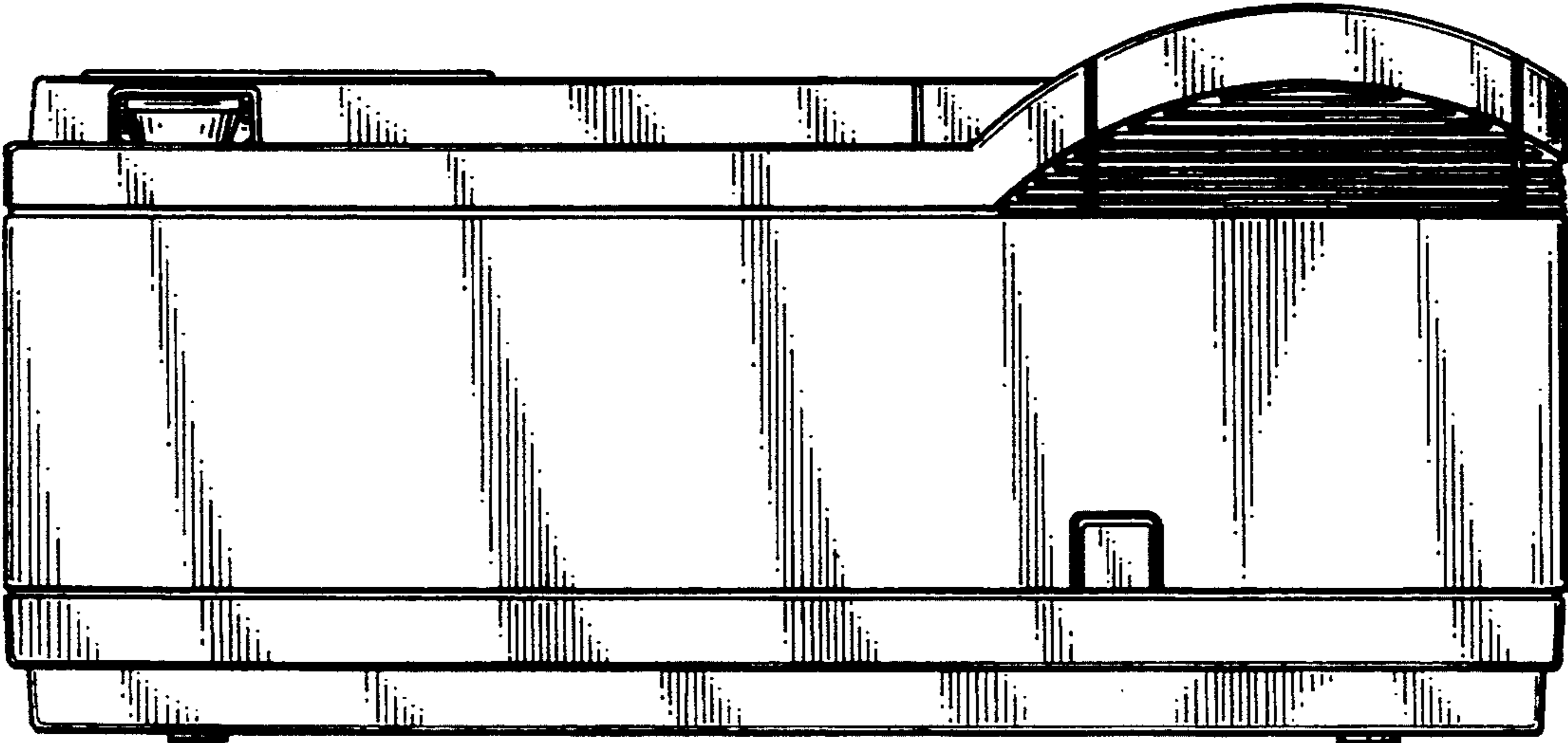


Fig. 9

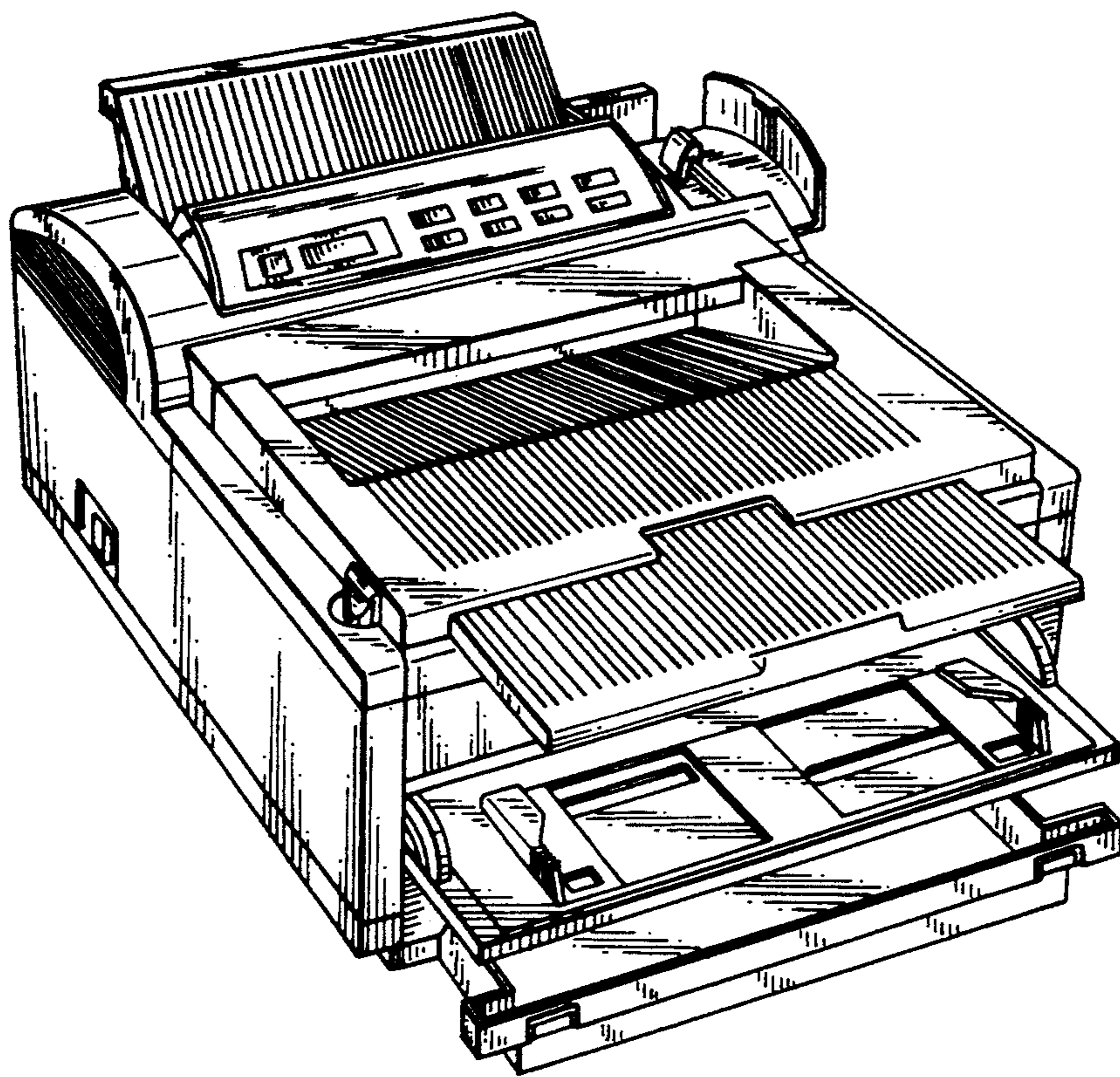


Fig. 10

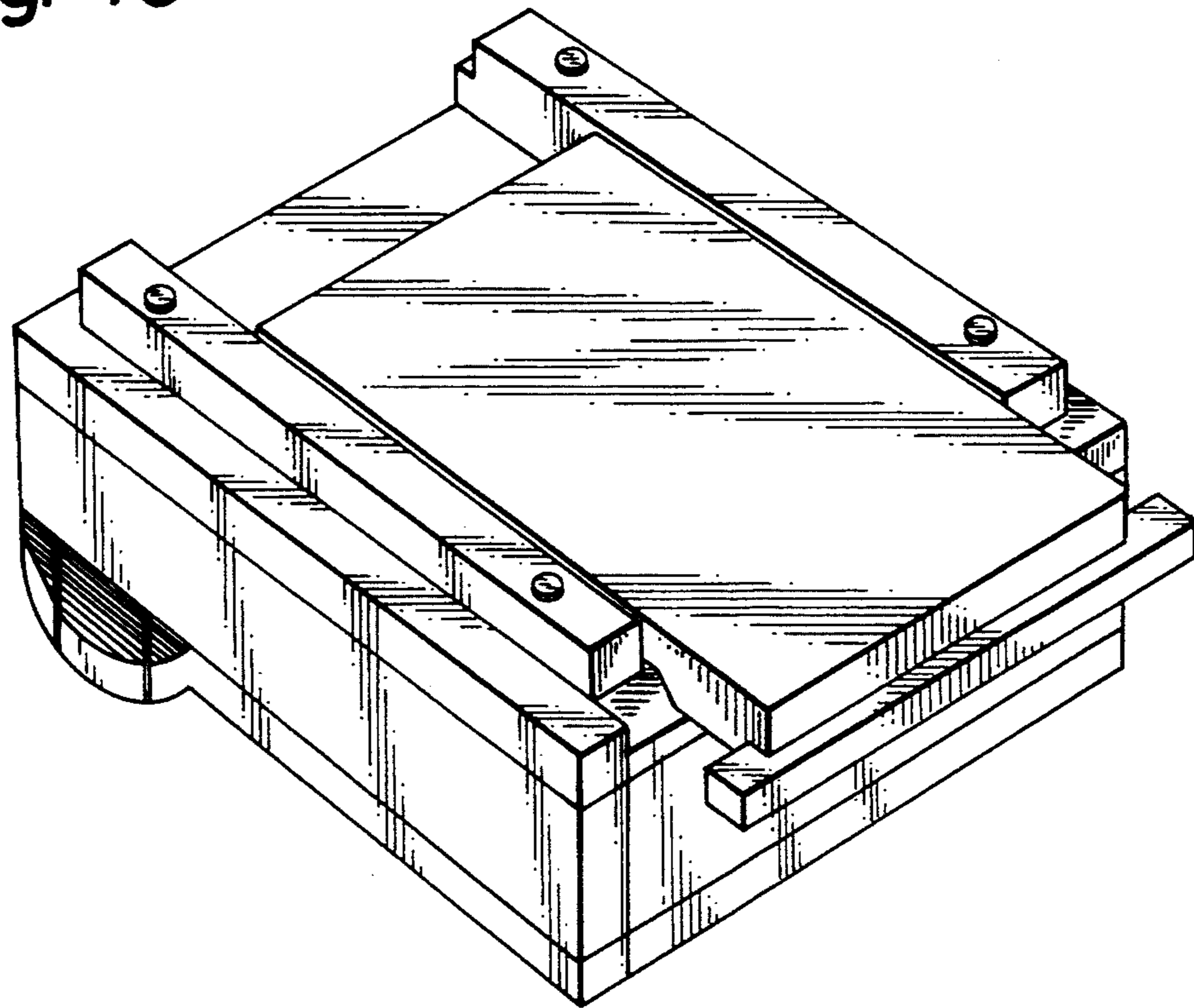


Fig. 11

