



US00D350146S

# United States Patent [19]

[11] Patent Number: Des. 350,146

Wakayama et al.

[45] Date of Patent: \*\* Aug. 30, 1994

## [54] BINOCULARS

## DESCRIPTION

[75] Inventors: **Shouji Wakayama; Akio Akiyama,**  
both of Tokyo, Japan

[73] Assignee: **Young Optical Co., Ltd.,** Tokyo,  
Japan

[\*\*] Term: **14 Years**

[21] Appl. No.: **853,314**

[22] Filed: **Mar. 17, 1992**

### [30] Foreign Application Priority Data

Sep. 17, 1991 [JP] Japan ..... 28016

[52] U.S. Cl. .... **D16/133**

[58] Field of Search ..... 359/408, 410, 411, 413,  
359/414, 416, 417, 418, 421, 422, 579, 554, 555,  
556; D16/133

### [56] References Cited

#### U.S. PATENT DOCUMENTS

D. 232,478 8/1974 Hornschu ..... D16/133

D. 311,013 10/1990 Wakayama et al. .... D16/133

4,325,602 4/1982 Lange ..... 359/408

*Primary Examiner*—A. Hugo Word

*Assistant Examiner*—Doris V. Coles

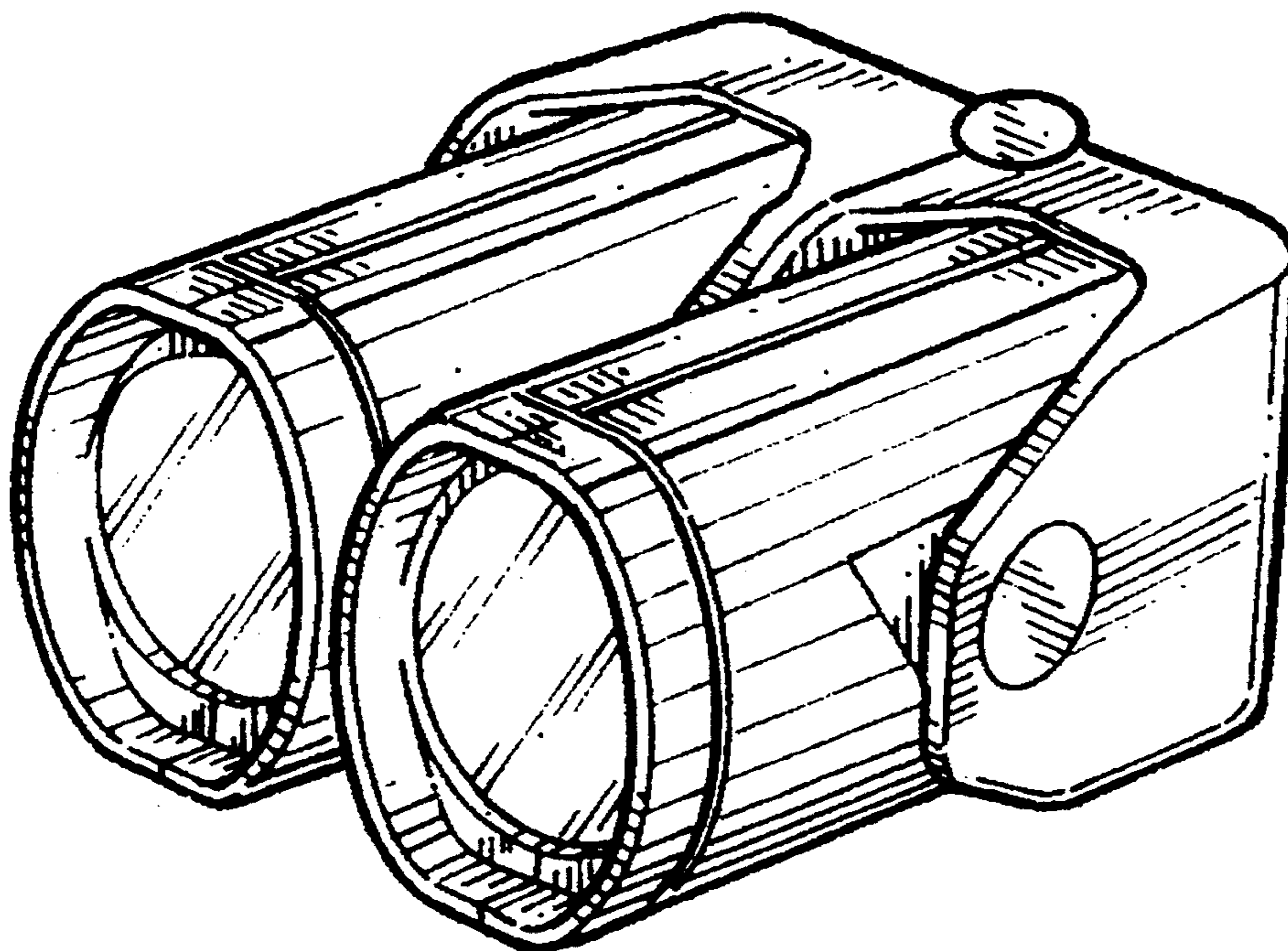
*Attorney, Agent, or Firm*—Young & Thompson

### [57] CLAIM

The ornamental design for binoculars, as shown and described.

FIG. 1 is a perspective view of the binoculars showing our new design in a completely folded condition; FIG. 2 is a perspective view of said binoculars in a first partially unfolded condition; FIG. 3 is a perspective view of said binoculars in a sequentially second partially unfolded condition; FIG. 4 is in perspective view of said binoculars in a completely unfolded condition; FIG. 5 is a top plan view of said binoculars in said completely unfolded condition of FIG. 4; FIG. 6 is a bottom plan view of said binoculars in said completely unfolded condition of FIG. 4; FIG. 7 is a front elevational view of said binoculars in said completely unfolded condition of FIG. 4; FIG. 8 is a rear elevational view of said binoculars in said completely unfolded condition of FIG. 4; FIG. 9 is a right side elevational view of said binoculars in said completely unfolded condition of FIG. 4; FIG. 10 is a front elevational view of said binoculars in said completely folded condition of FIG. 1; FIG. 11 is a rear elevational view of said binoculars in said completely folded condition of FIG. 1; FIG. 12 is a right side elevational view of said binoculars in said completely folded condition of FIG. 1; FIG. 13 is a top plan view of said binoculars in said completely folded condition of FIG. 1; and, FIG. 14 is a bottom plan view of said binoculars in said completely folded condition of FIG. 1.

The left side elevational view in the completely unfolded condition is a mirror image of said right side of FIG. 9, and the left side elevational view in the completely folded condition is a mirror image of said right side of FIG. 12.



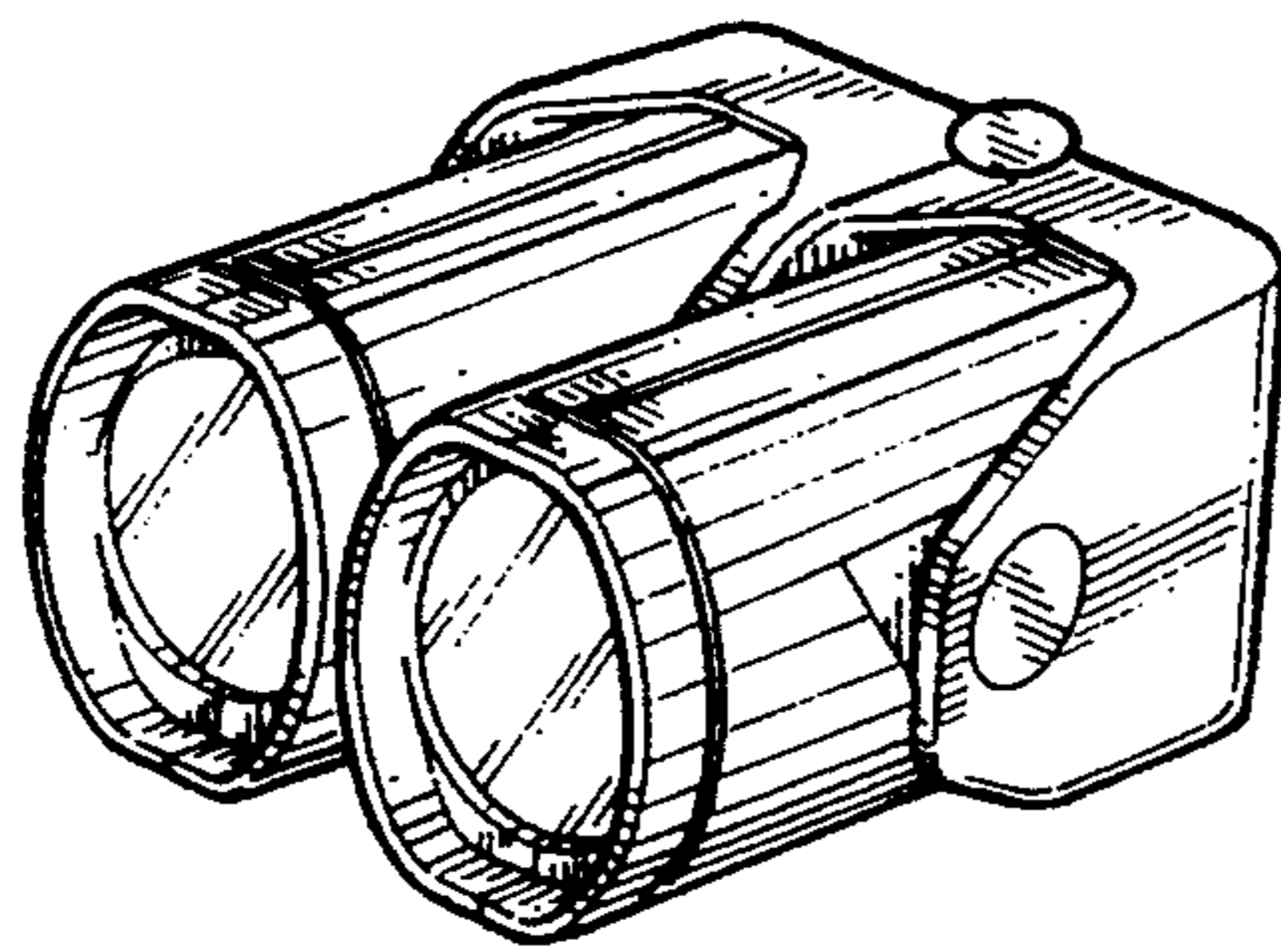


Fig. 1

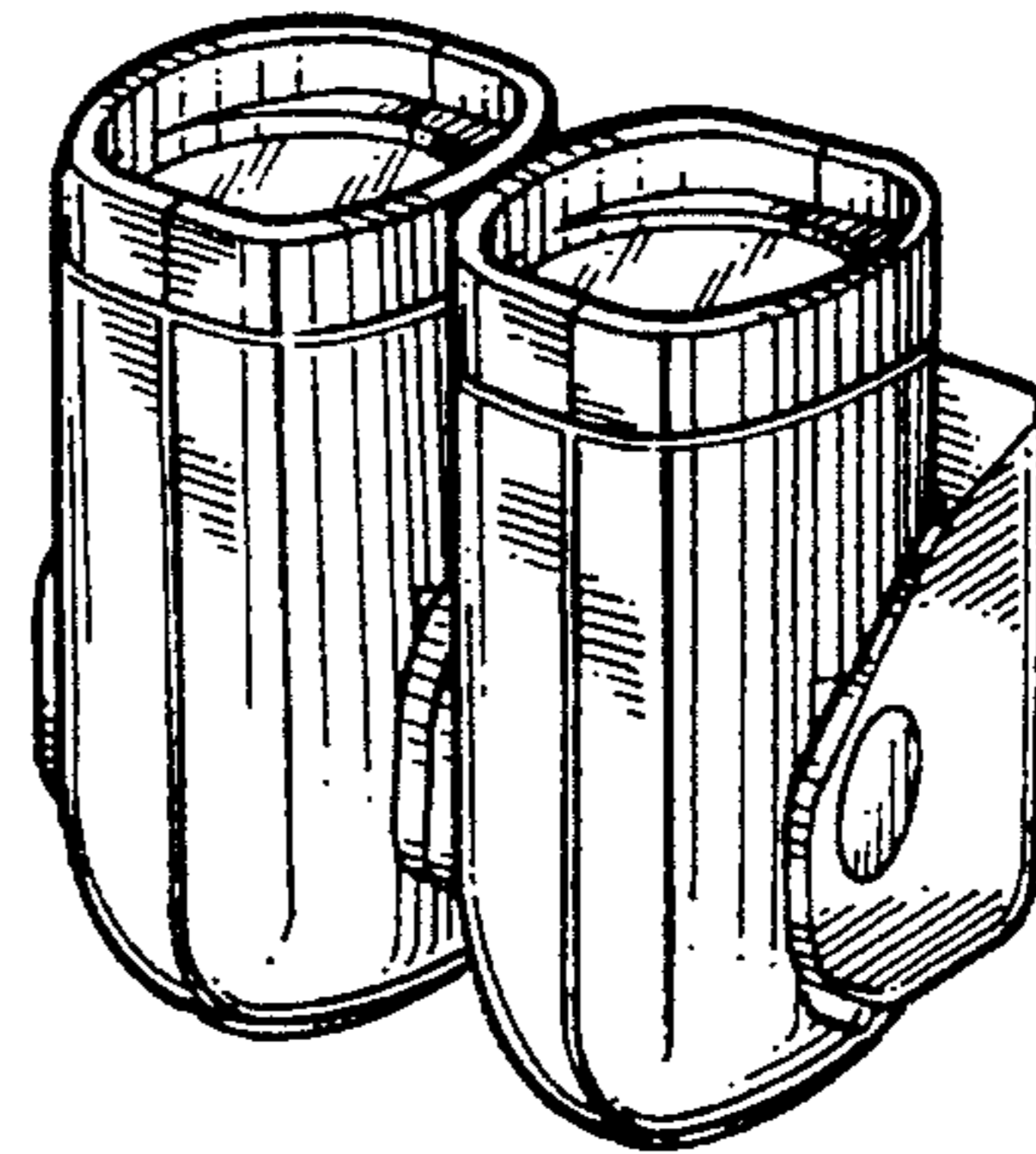


Fig. 2

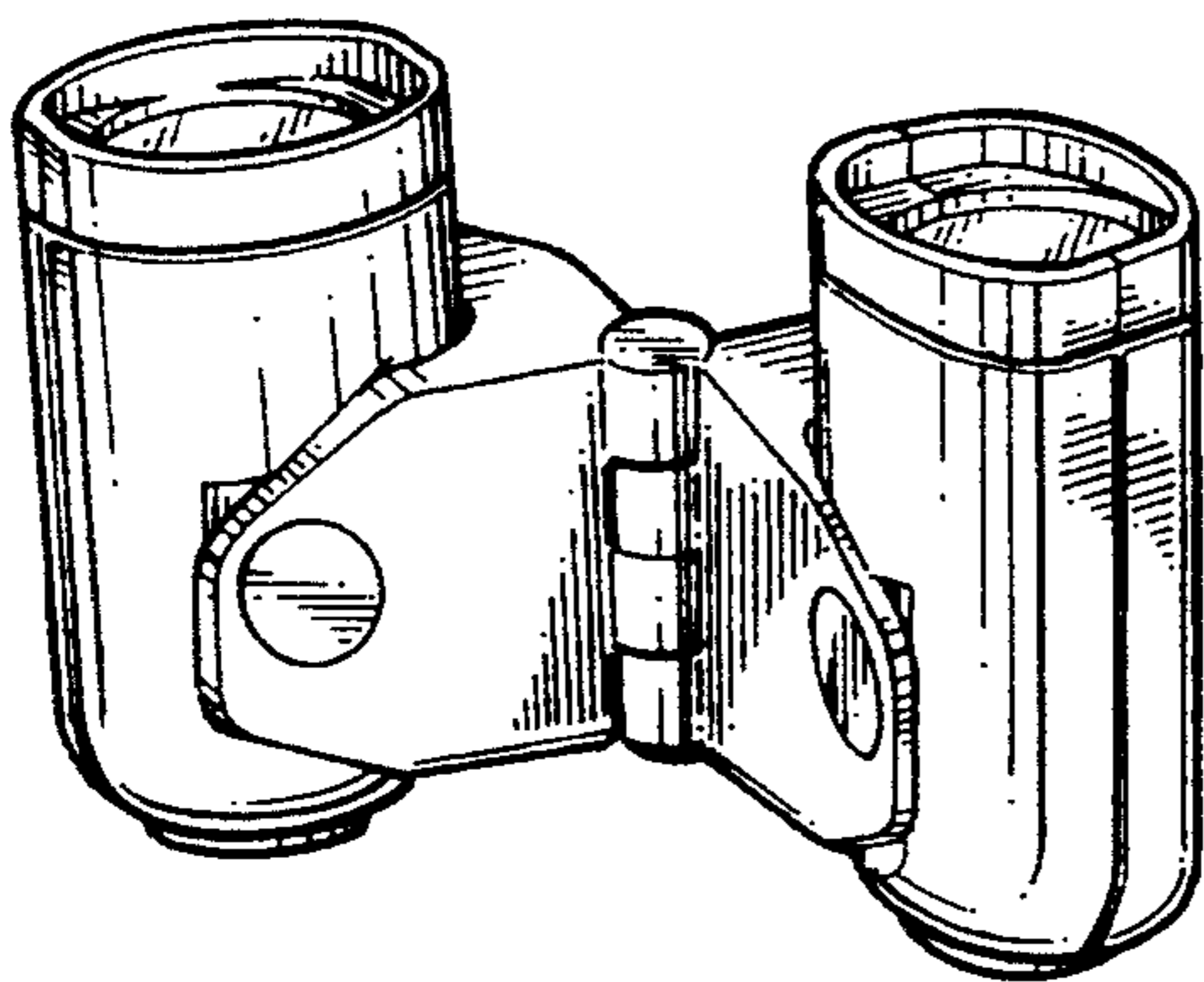


Fig. 3

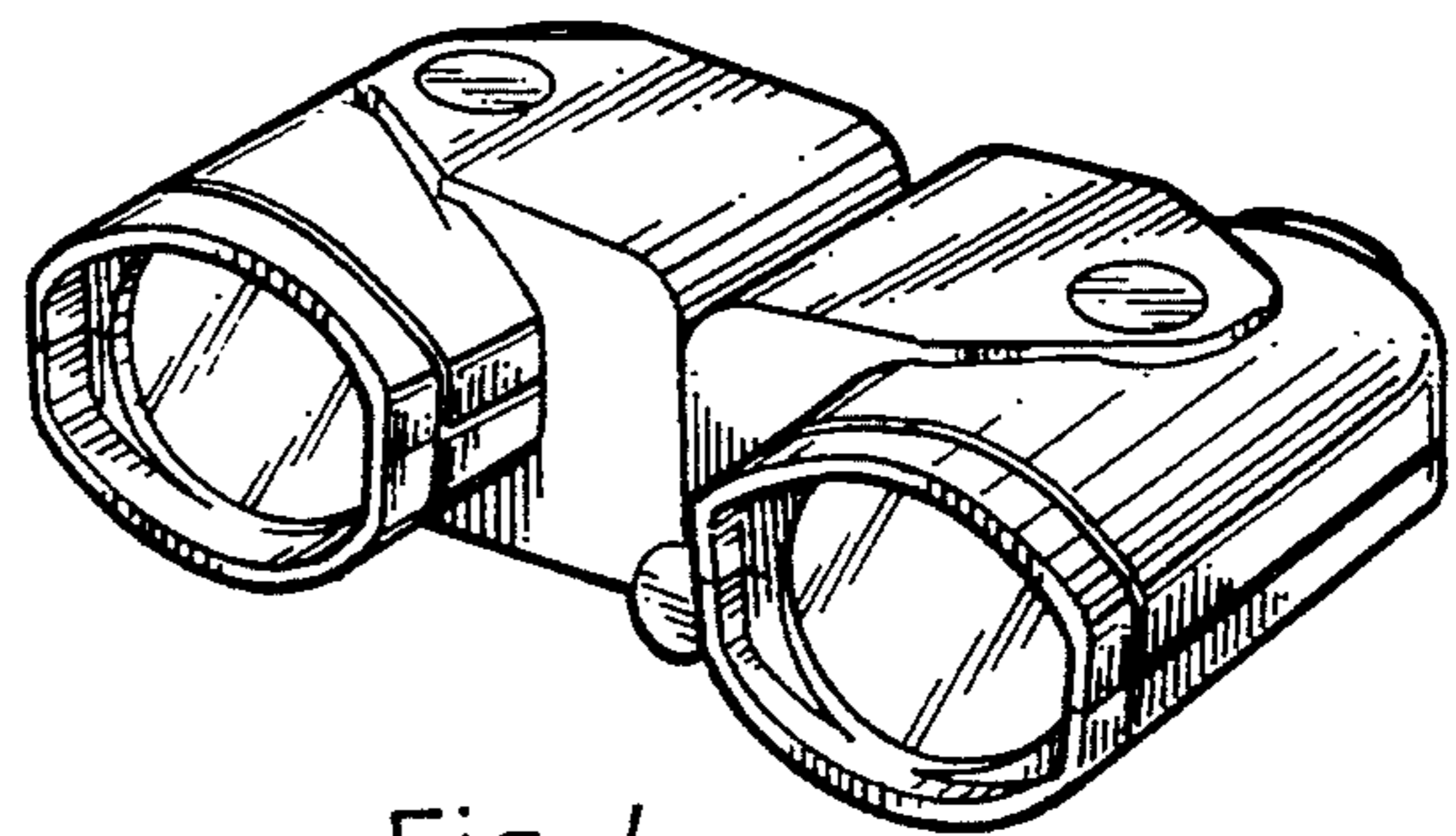


Fig. 4

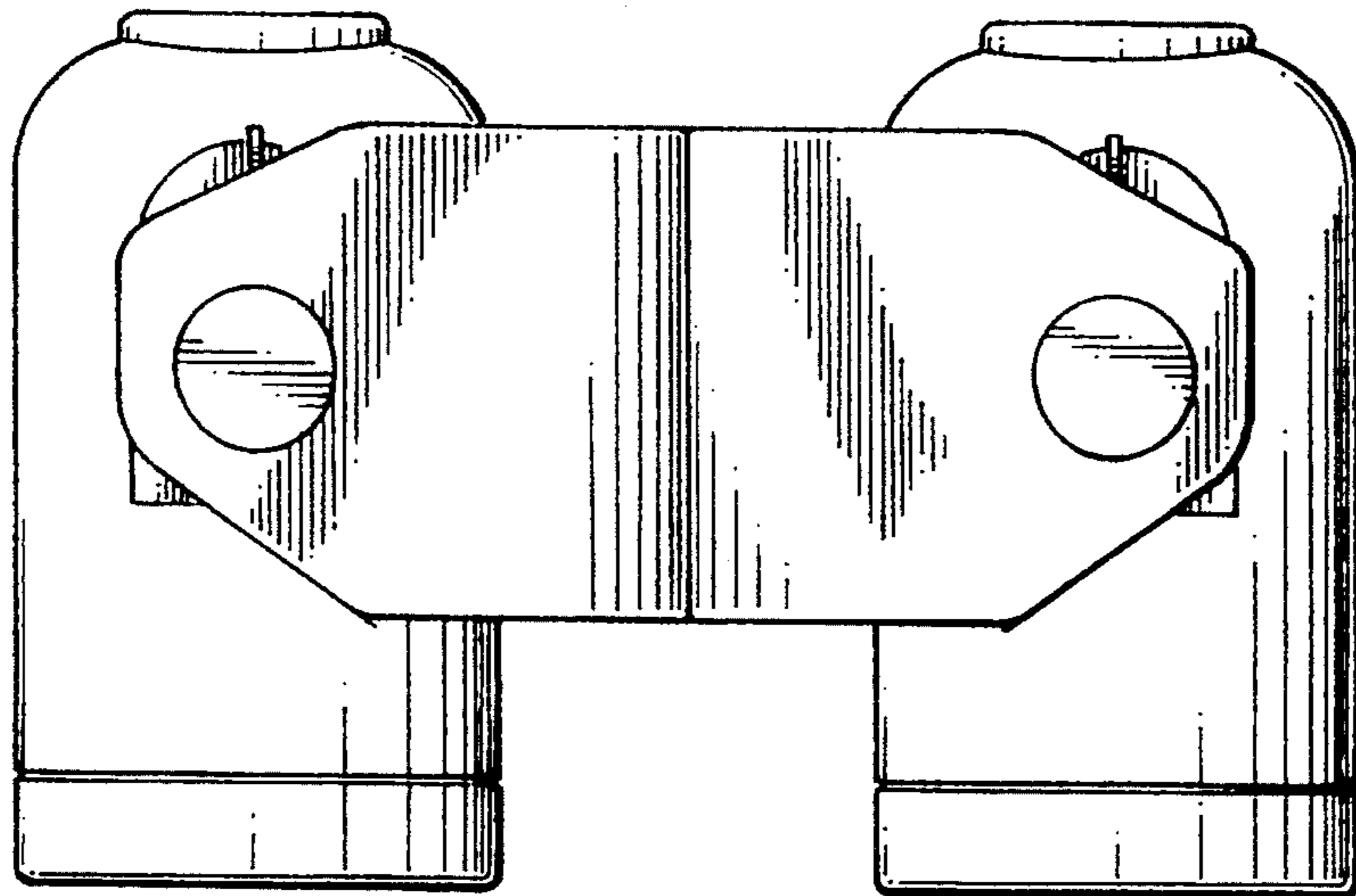


Fig. 5

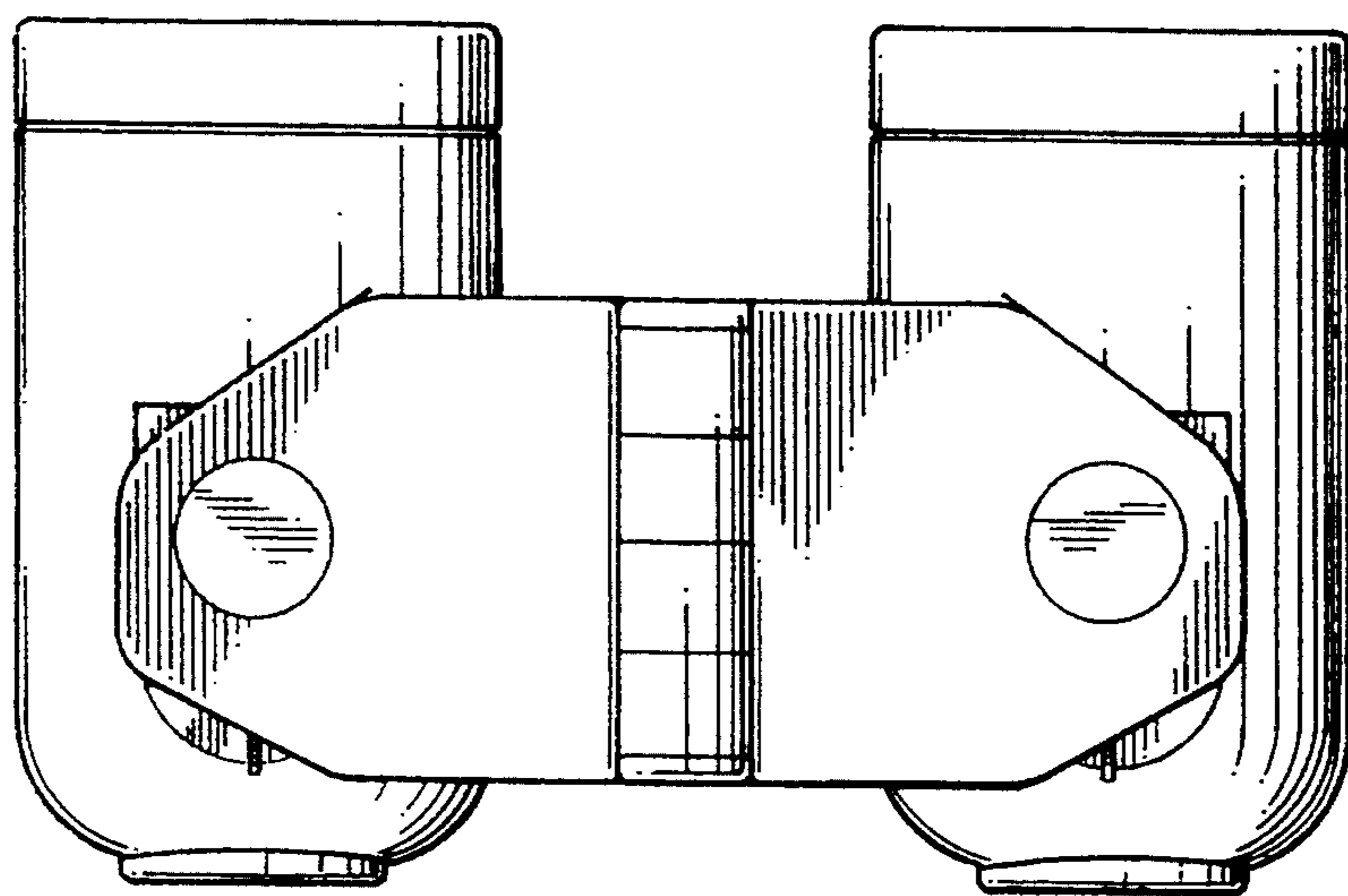


Fig. 6

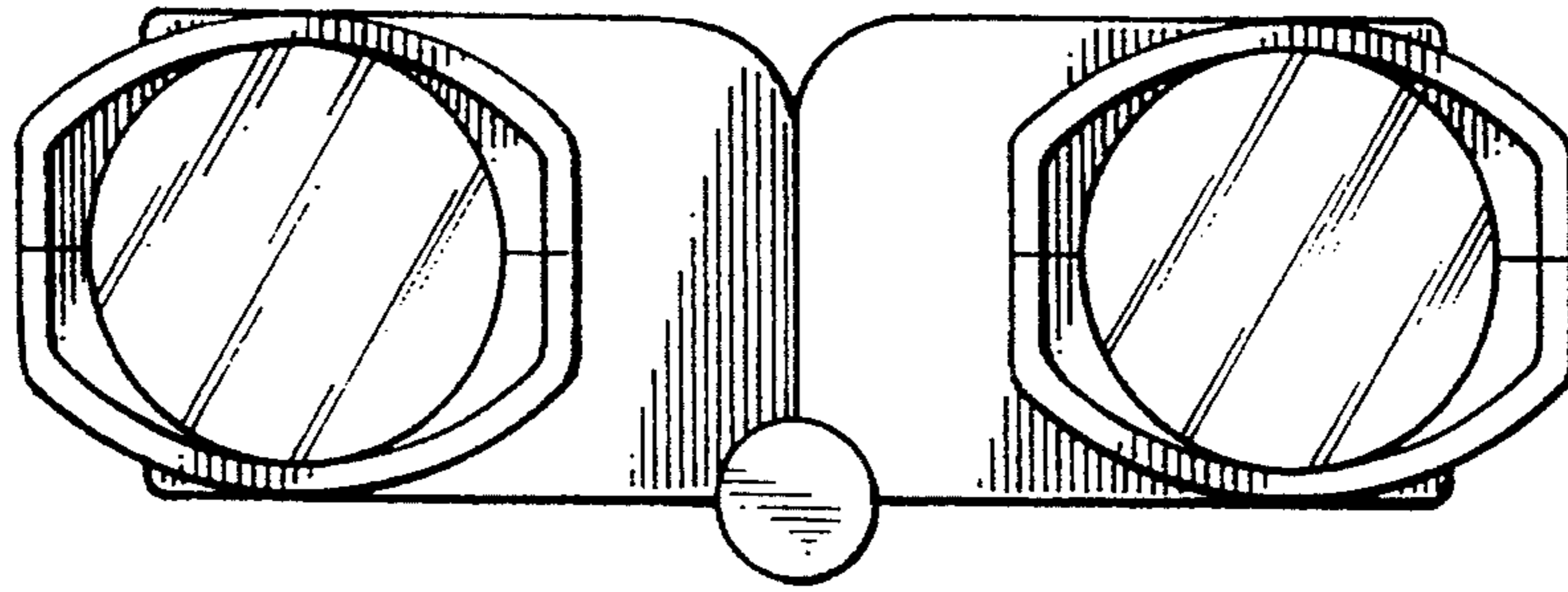


Fig. 7

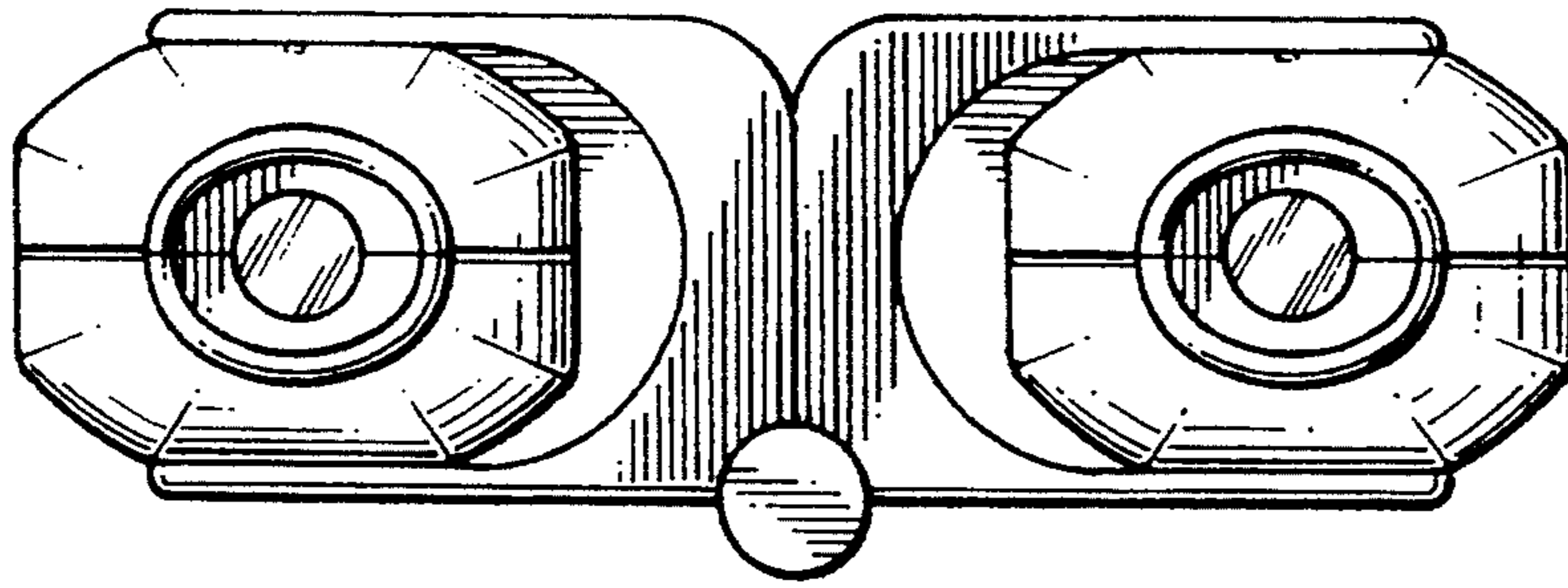


Fig. 8

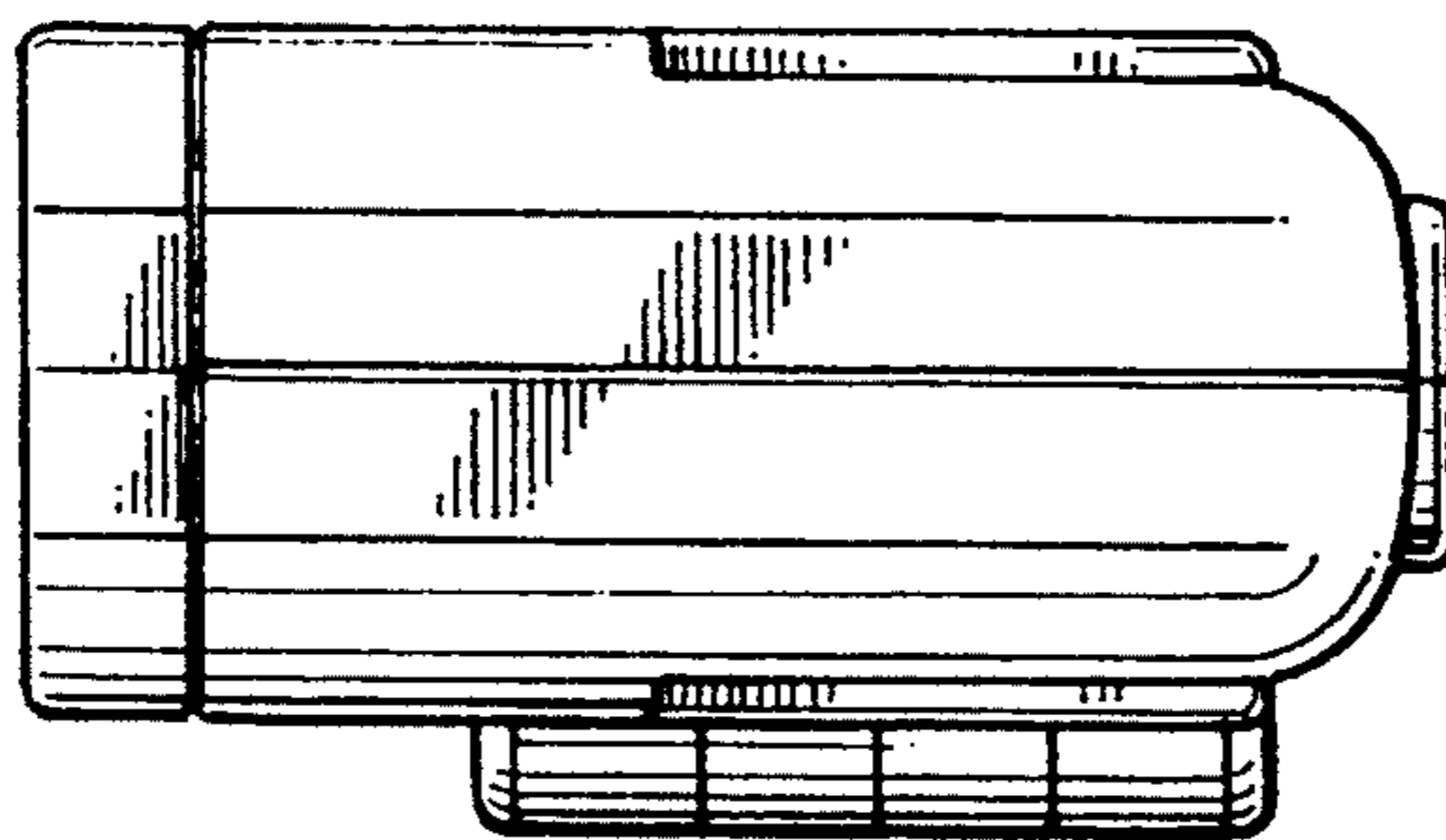


Fig. 9

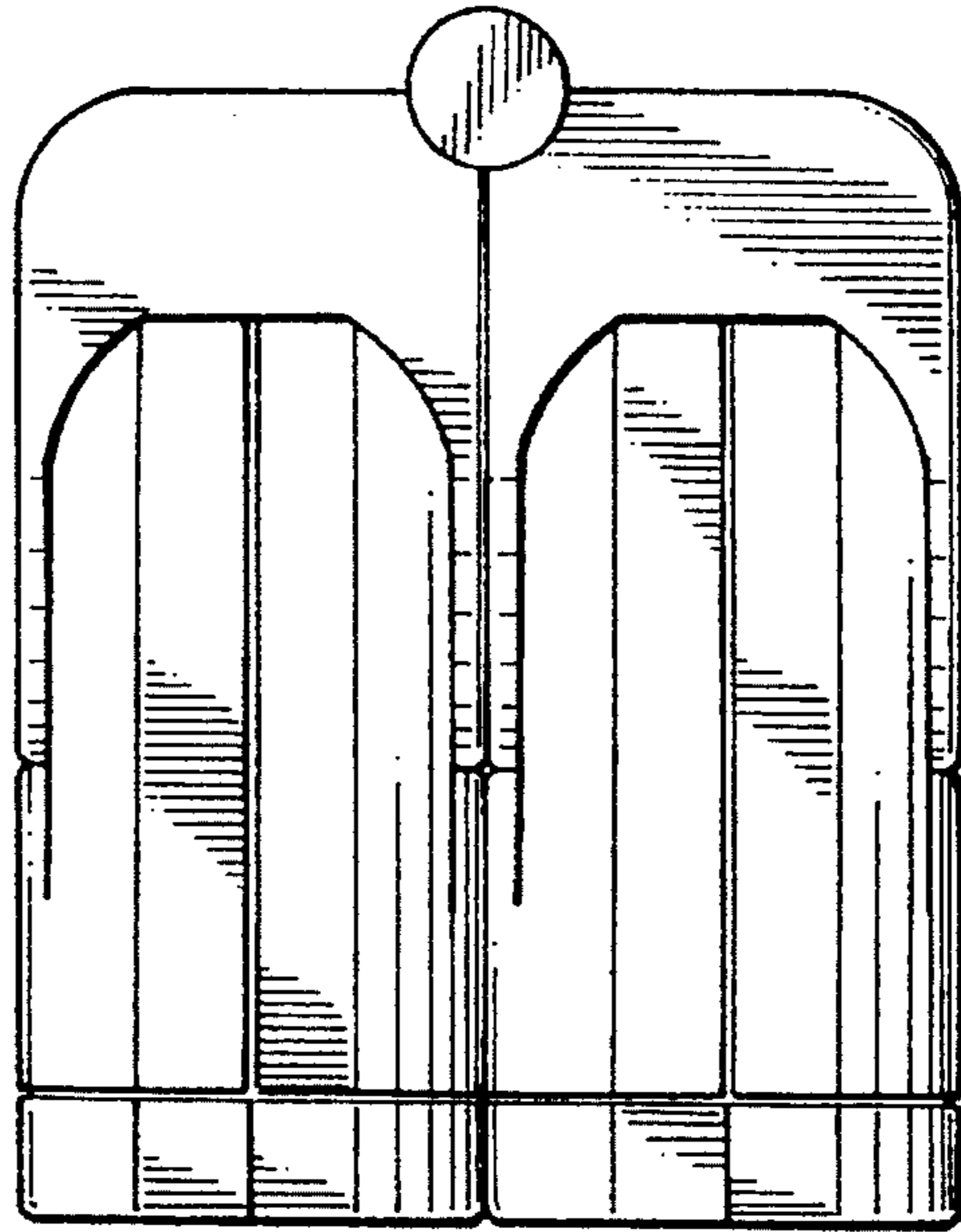


Fig. 10

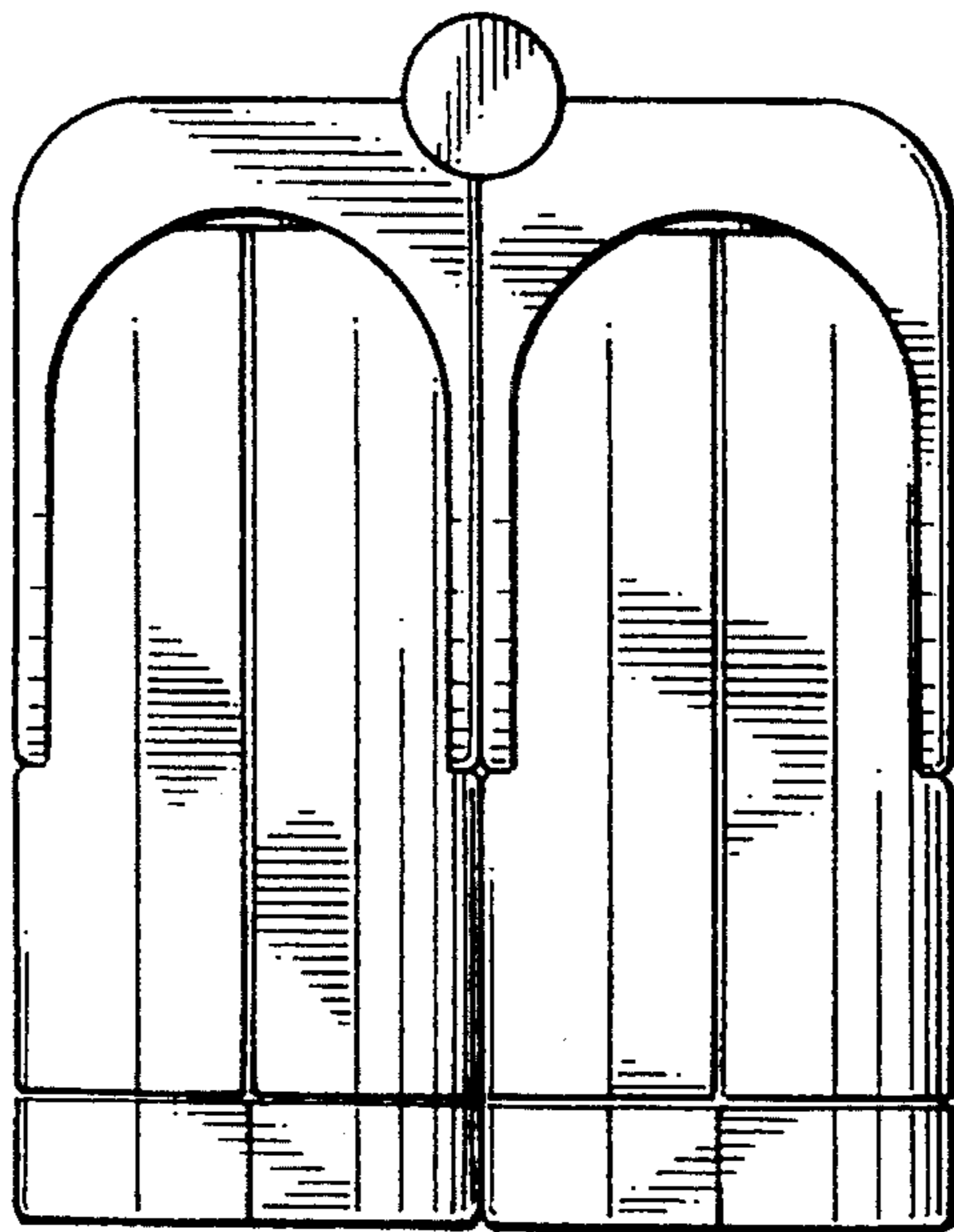


Fig. 11

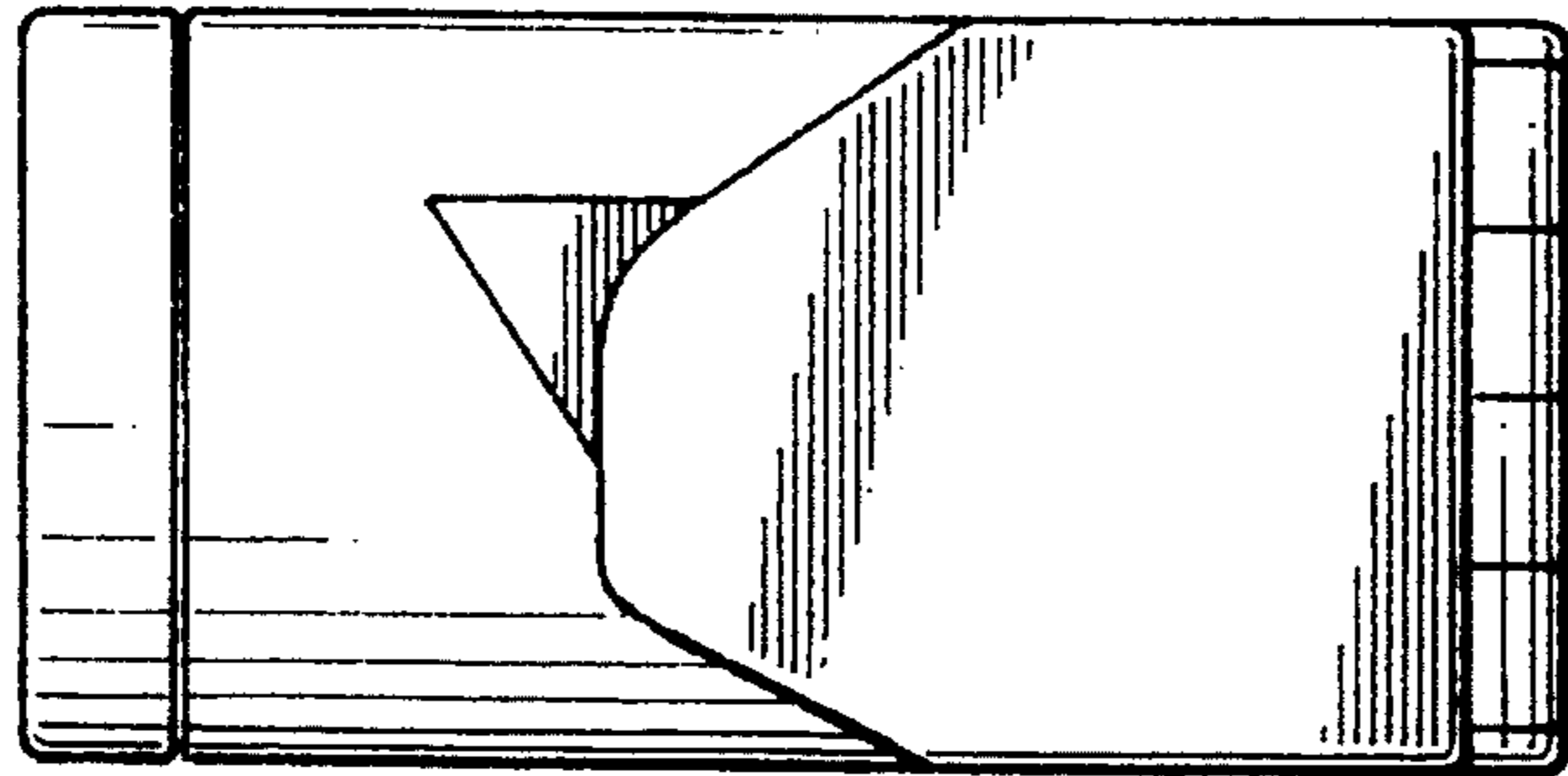


Fig. 12

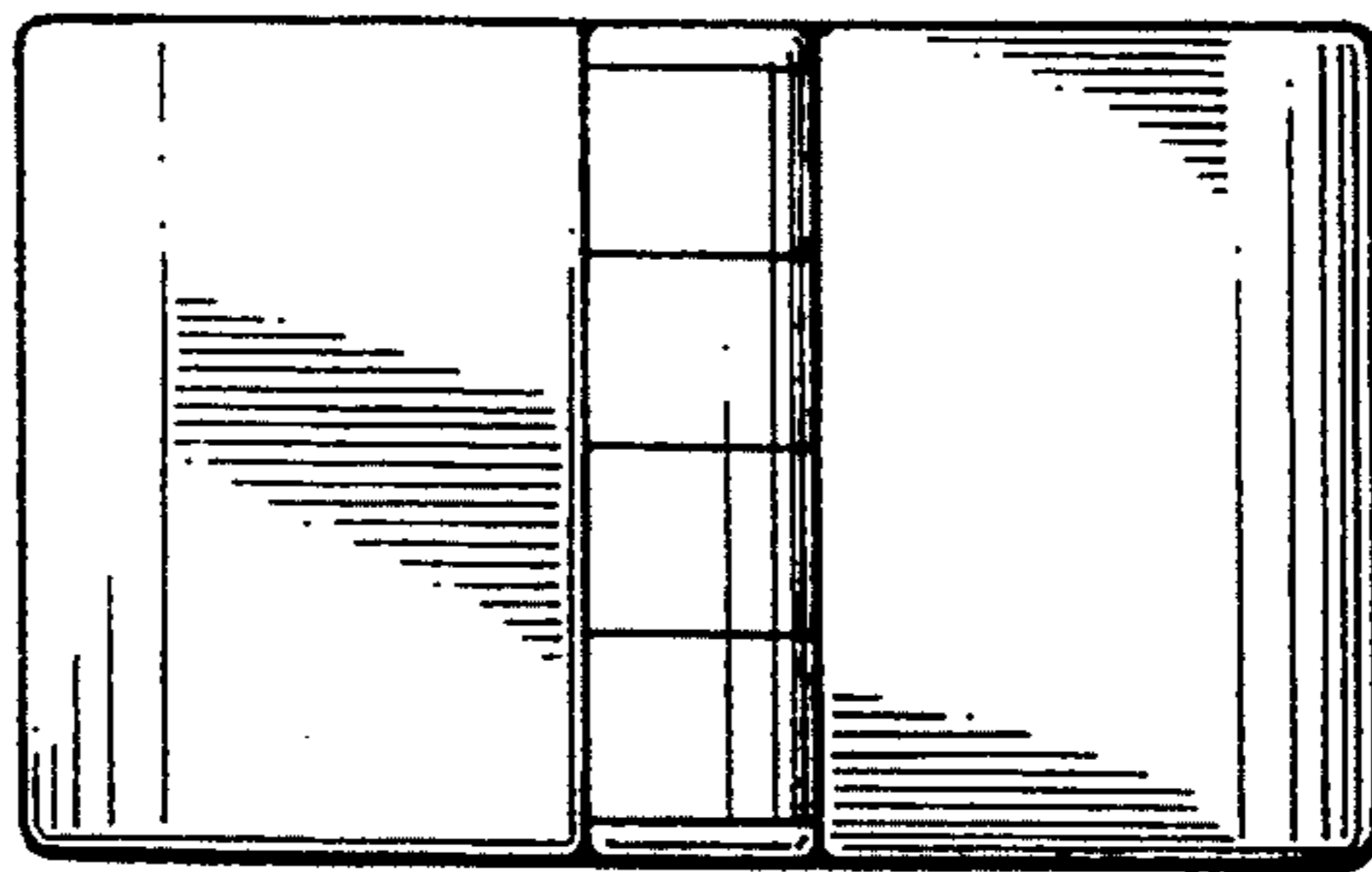


Fig. 13

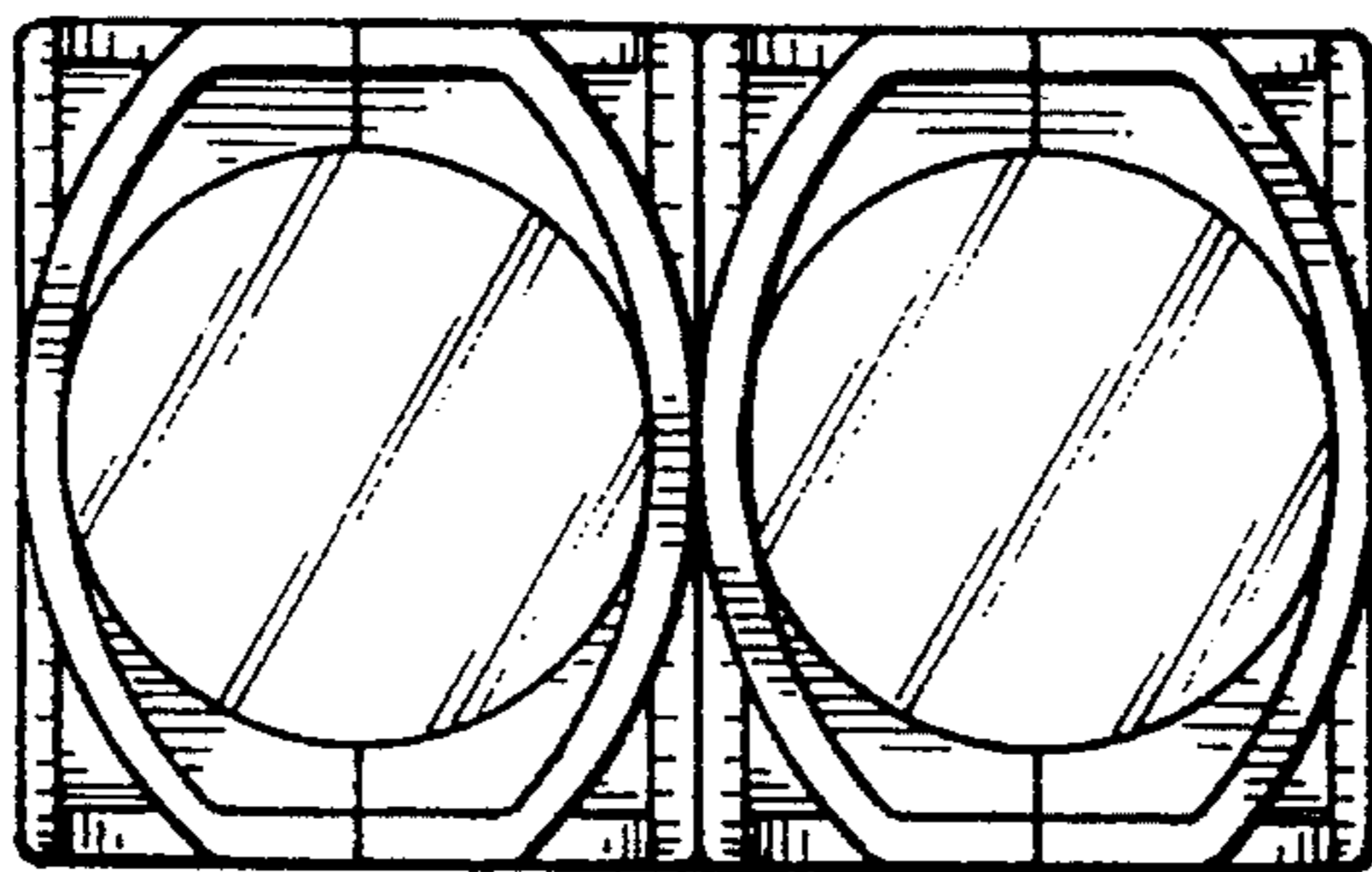


Fig. 14