



US00D350142S

United States Patent [19]

[11] Patent Number: Des. 350,142

Imanishi et al.

[45] Date of Patent: ** Aug. 30, 1994

[54] MECHANICAL PRESS

[75] Inventors: Shozo Imanishi; Yasuhiro Horie, both of Sagamihara, Japan

[73] Assignee: Aida Engineering, Ltd., Kanagawa, Japan

[**] Term: 14 Years

[21] Appl. No.: 7,851

[22] Filed: May 4, 1993

4,259,052 3/1981 Imanishi et al. 425/135

4,455,857 6/1984 Salvagnini D15/123 X

4,502,379 3/1985 Sato D15/123 X

4,648,786 3/1987 Sakurai D15/123 X

4,653,311 3/1987 Tack, Jr. D15/123 X

Primary Examiner—Alan P. Douglas
 Assistant Examiner—Antoine D. Davis
 Attorney, Agent, or Firm—Steven M. Rabin

[30] Foreign Application Priority Data

Dec. 11, 1992 [KP] D.P.R. of Korea 21004

[52] U.S. Cl. D15/123

[58] Field of Search 72/448, 455, 465;
 100/207, 208, 282, 268, 292, 214; 435/135, 86,
 347, 348 S, 349, 350, 353, 358, 355, 360;
 D15/122, 123

[57] CLAIM

The ornamental design for a mechanical press, as shown and described.

DESCRIPTION

FIG. 1 is a front elevational view of a mechanical press, showing my new design;

FIG. 2 is a rear elevational view thereof;

FIG. 3 is a top plan view thereof;

FIG. 4 is a bottom plan view thereof;

FIG. 5 is a right side view thereof;

FIG. 6 is a left side view thereof; and,

FIG. 7 is a perspective view showing the front, top, and right side thereof.

[56] References Cited

U.S. PATENT DOCUMENTS

D. 180,234 5/1957 Jahnke D15/123

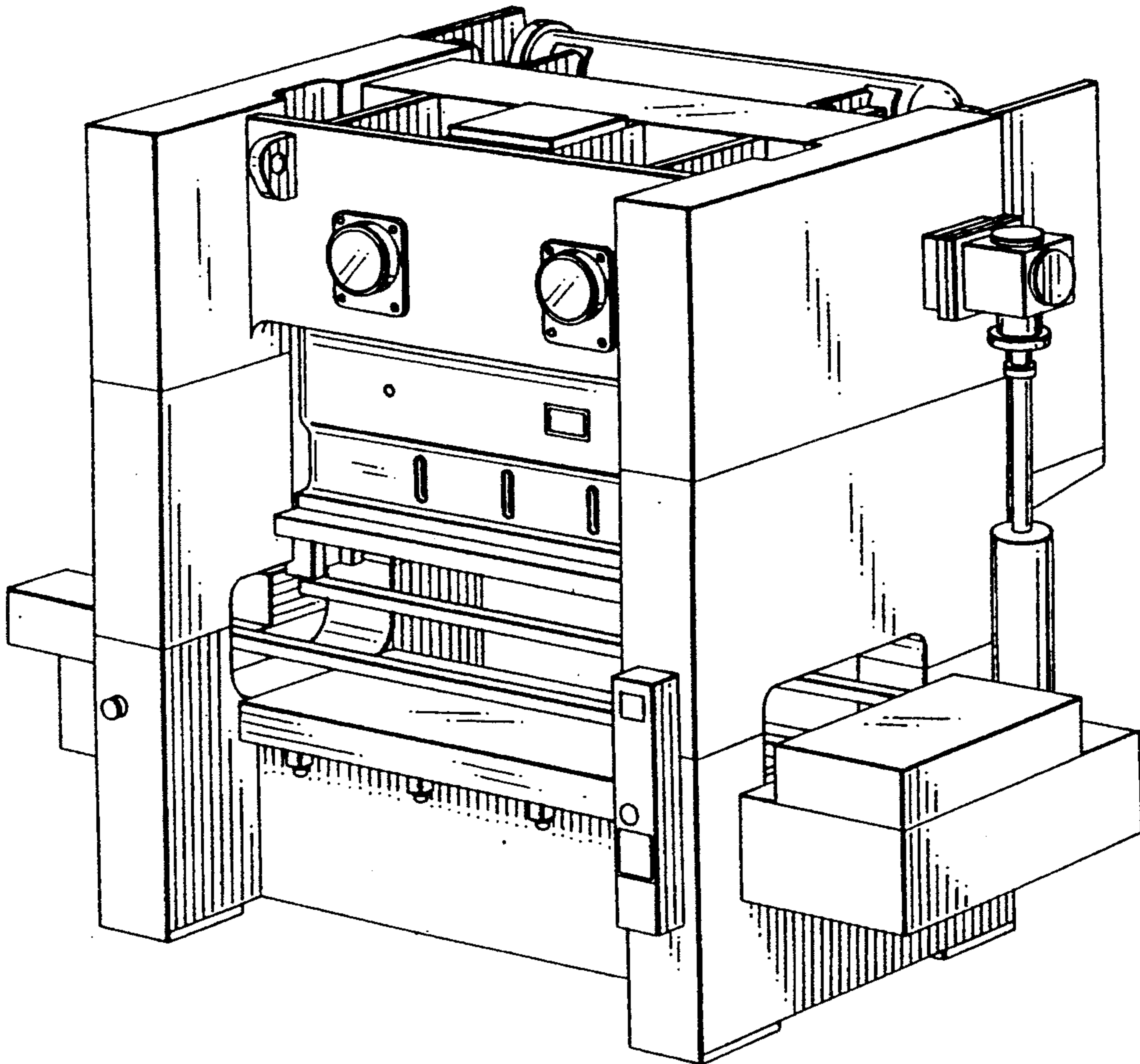


FIG. 3

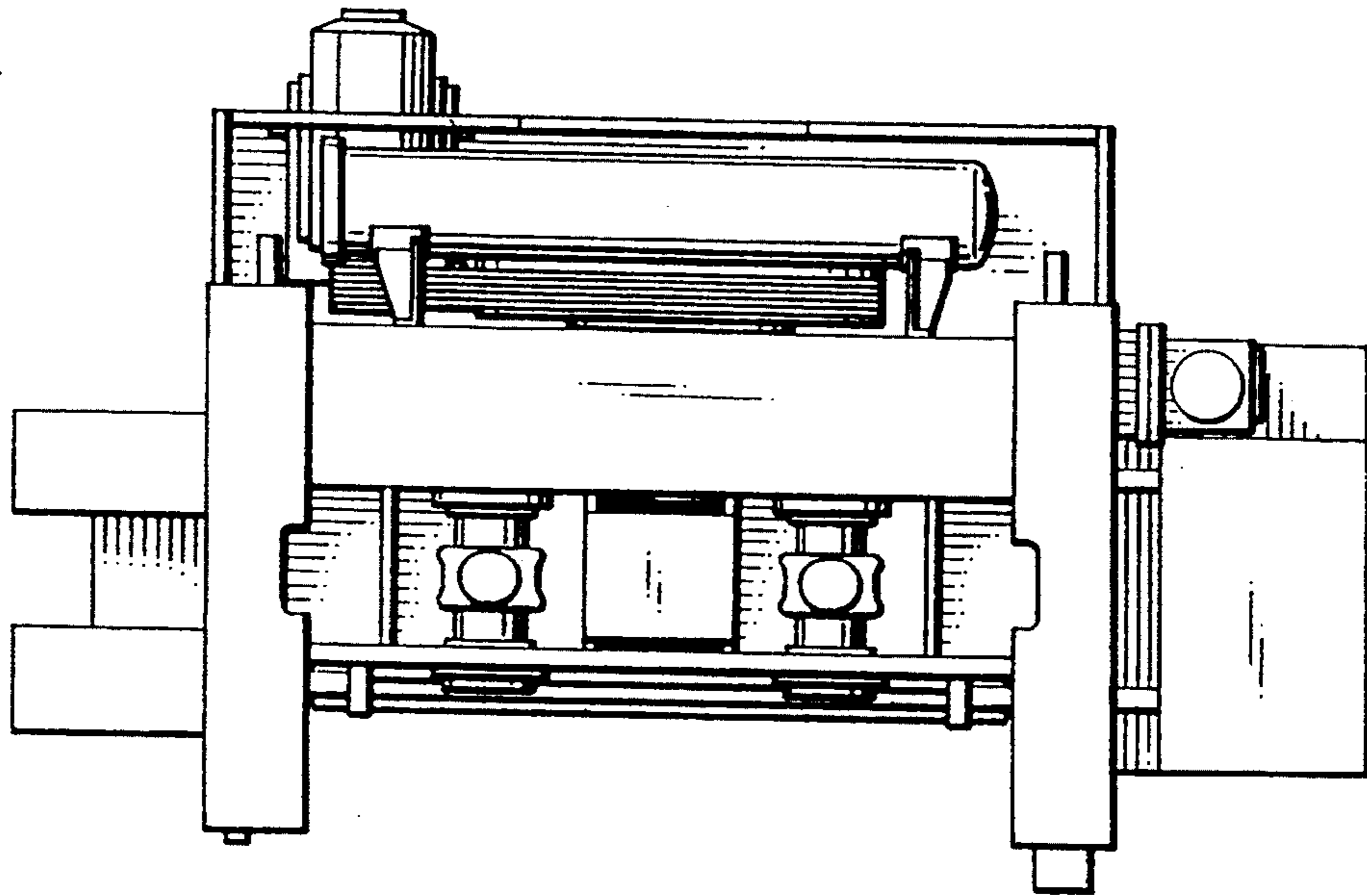


FIG. 1

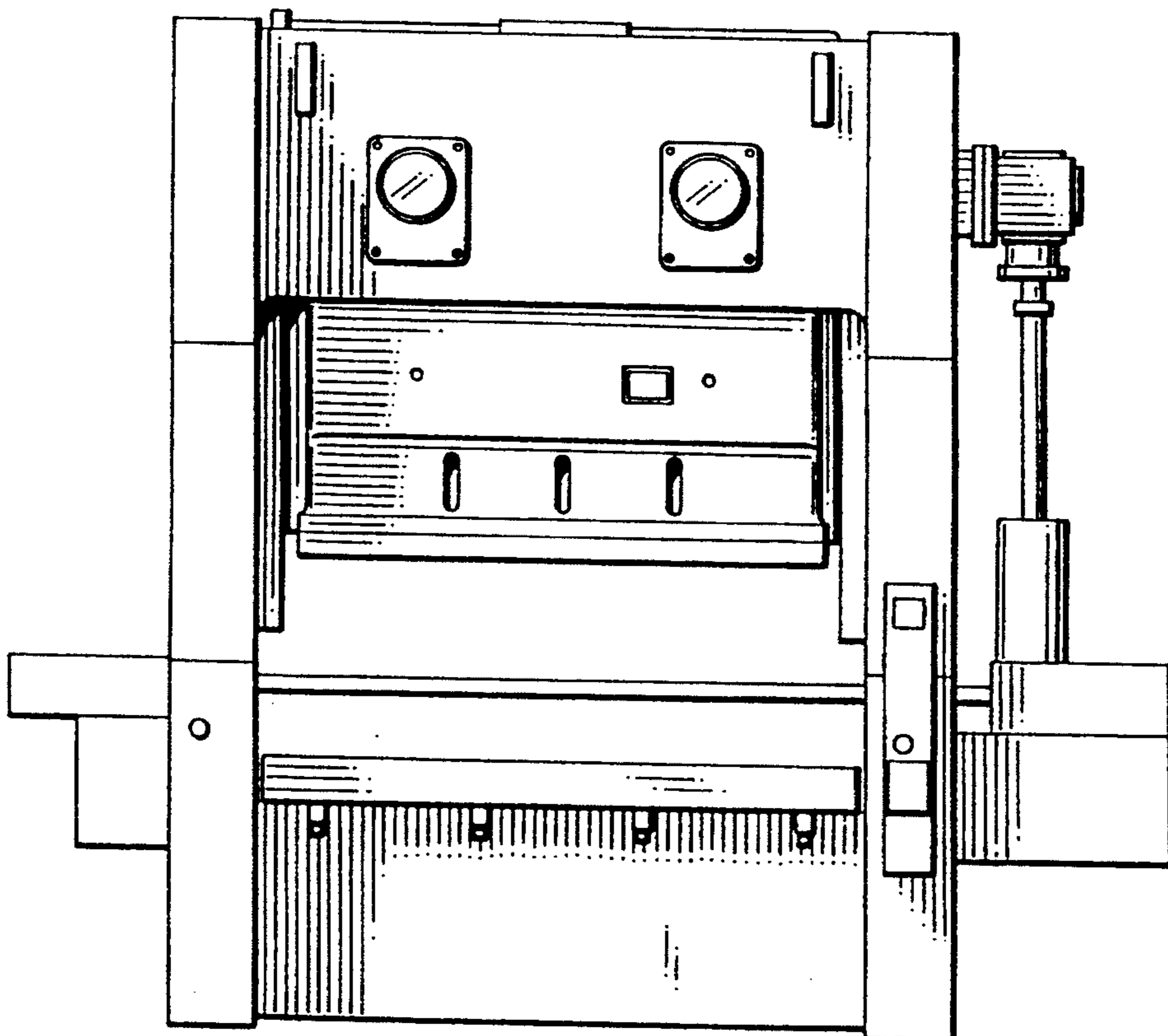


FIG. 2

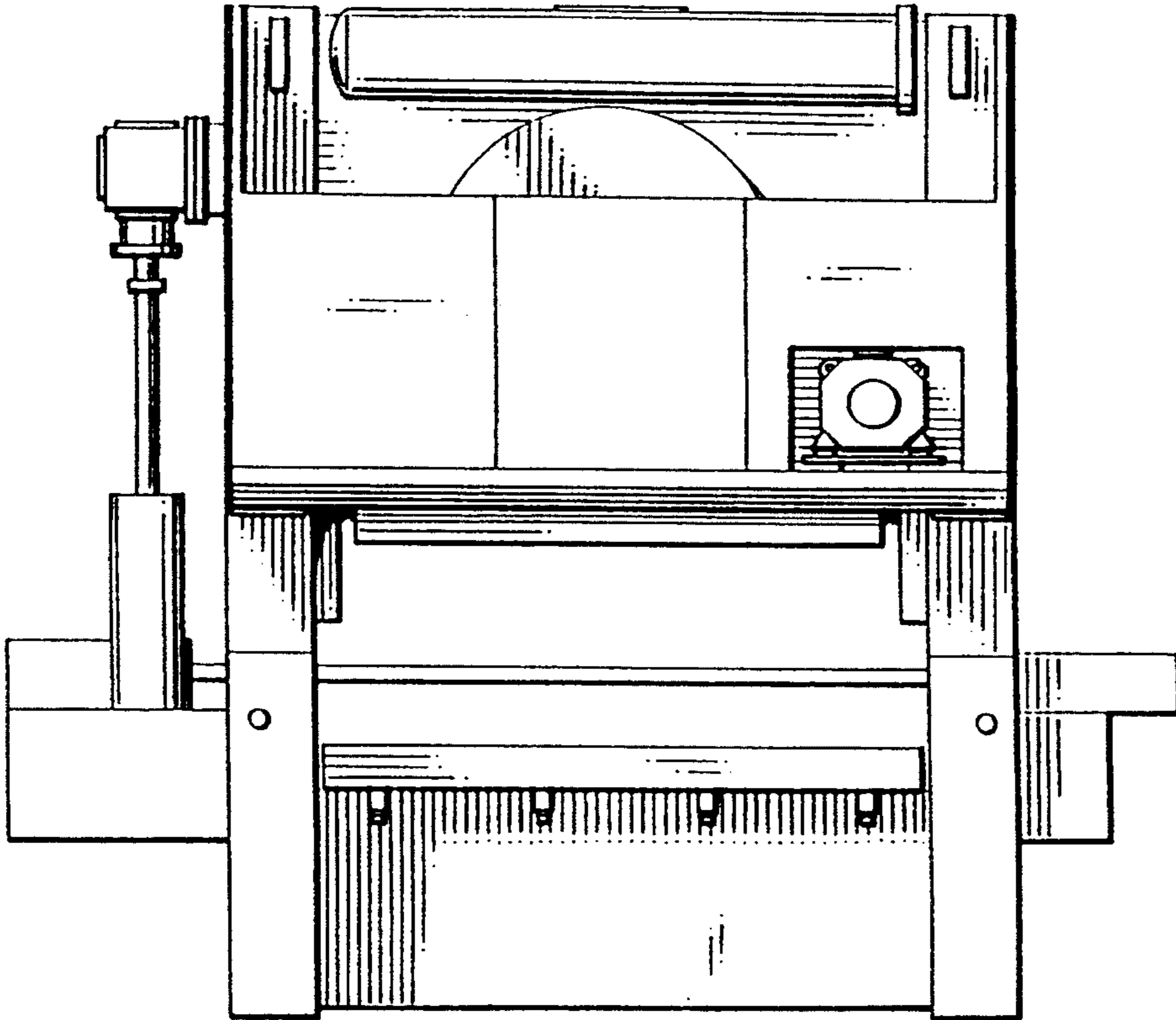


FIG. 4

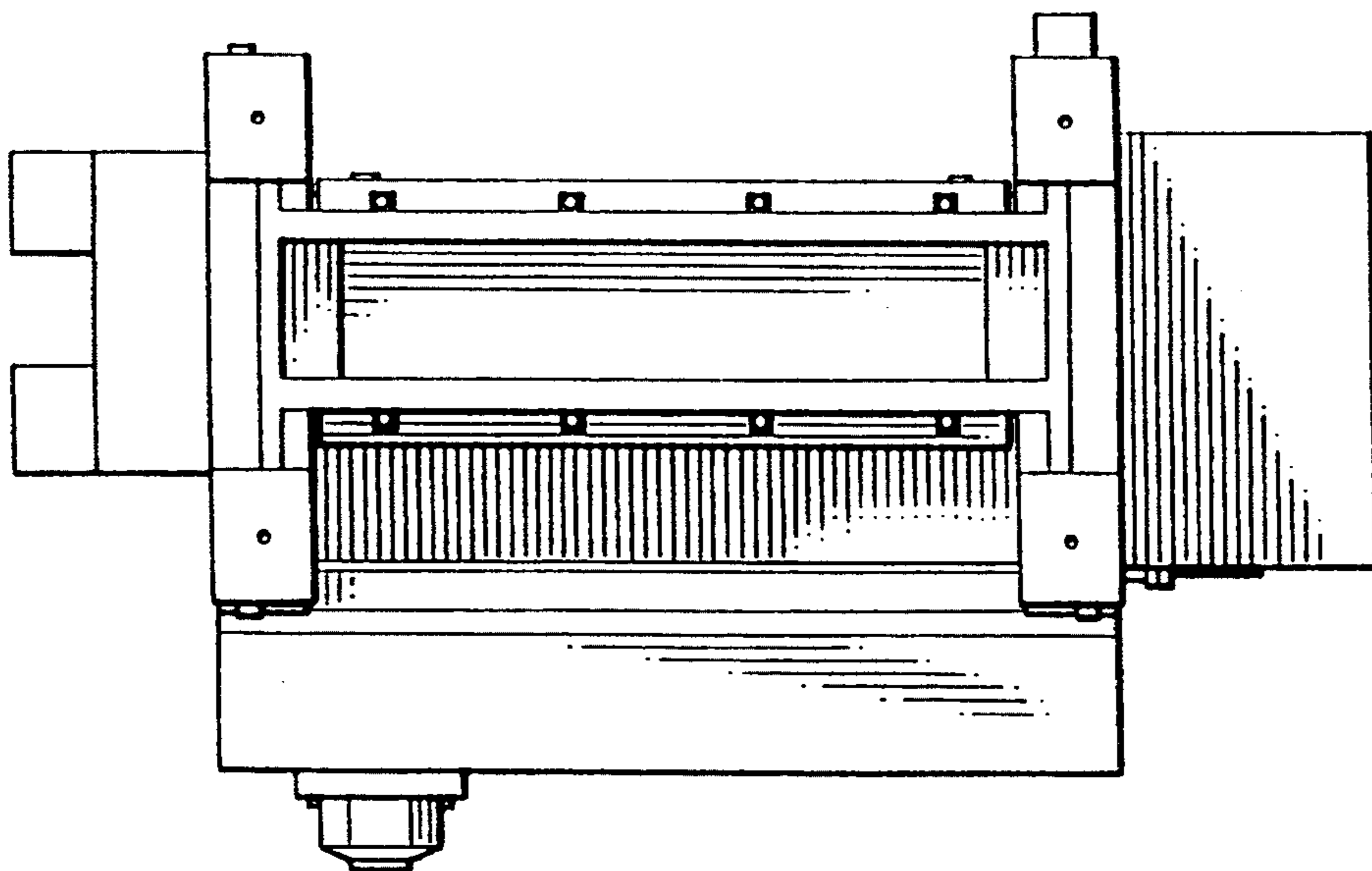


FIG. 6

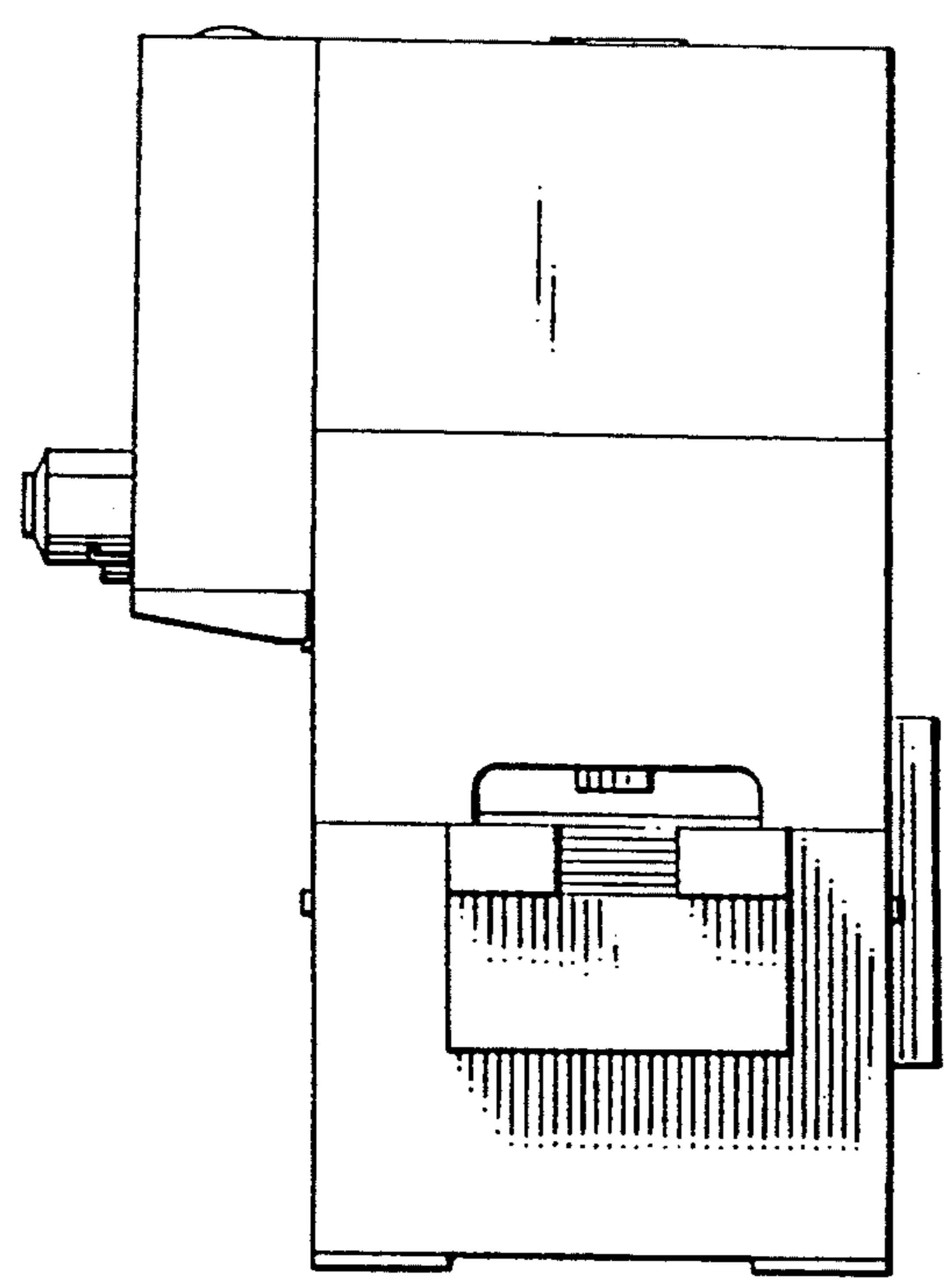


FIG. 5

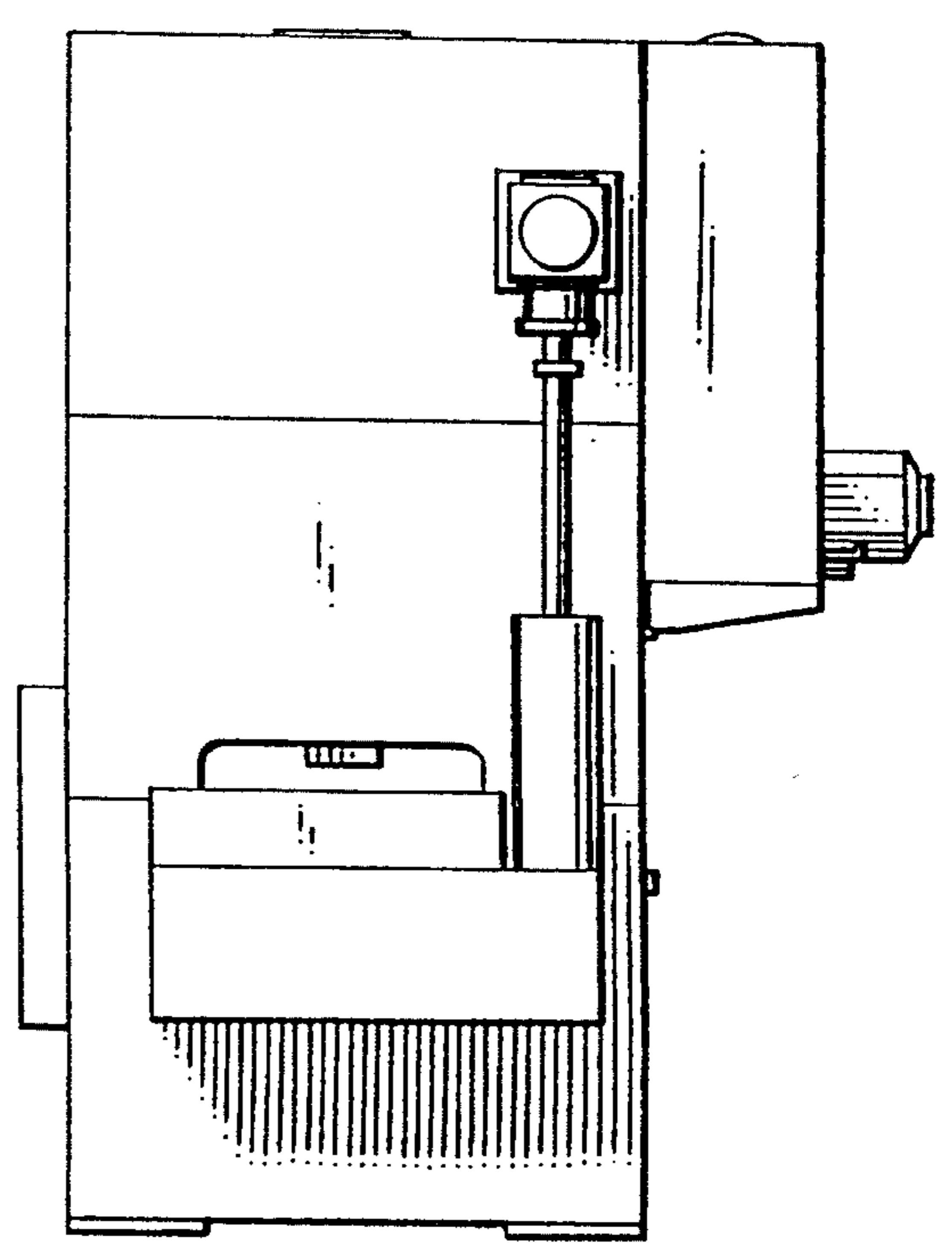


FIG. 7

