



US00D350141S

United States Patent [19]

[11] Patent Number: **Des. 350,141**

Imanishi et al.

[45] Date of Patent: **** Aug. 30, 1994**

[54] **MECHANICAL PRESS**

[75] Inventors: **Shozo Imanishi; Yasuhiro Horie**, both of Sagamihara, Japan

[73] Assignee: **Aida Engineering, Ltd.**, Kanagawa, Japan

[**] Term: **14 Years**

[21] Appl. No.: **7,830**

[22] Filed: **May 4, 1993**

4,259,052 3/1981 Imanishi et al. 425/135
 4,455,857 6/1984 Salvagnini D15/123 X
 4,502,379 3/1985 Sato D15/123 X
 4,648,786 3/1987 Sakurai D15/123 X
 4,653,311 3/1987 Tack, Jr. D15/123 X

Primary Examiner—Alan P. Douglas
Assistant Examiner—Antoine D. Davis
Attorney, Agent, or Firm—Law Office of Steven M. Rabin

[30] Foreign Application Priority Data

Dec. 11, 1992 [KR] Rep. of Korea 1992 21003

[52] U.S. Cl. **D15/123**

[58] Field of Search 72/448, 455, 465; 100/207, 208, 282, 268, 292, 214; 435/86, 135, 347, 348, 349, 350, 353, 354, 355, 360; D15/122, 123

[56] References Cited

U.S. PATENT DOCUMENTS

D. 180,234 5/1957 Jahnke D15/123

[57] CLAIM

The ornamental design for a mechanical press, as shown and described.

DESCRIPTION

FIG. 1 is a front elevational view of a mechanical press, showing my new design;
 FIG. 2 is a rear elevational view thereof;
 FIG. 3 is atop plan view thereof;
 FIG. 4 is a bottom plan view thereof;
 FIG. 5 is a right side view thereof;
 FIG. 6 is a left side view thereof; and,
 FIG. 7 is a perspective view showing the front, top, and right side thereof.

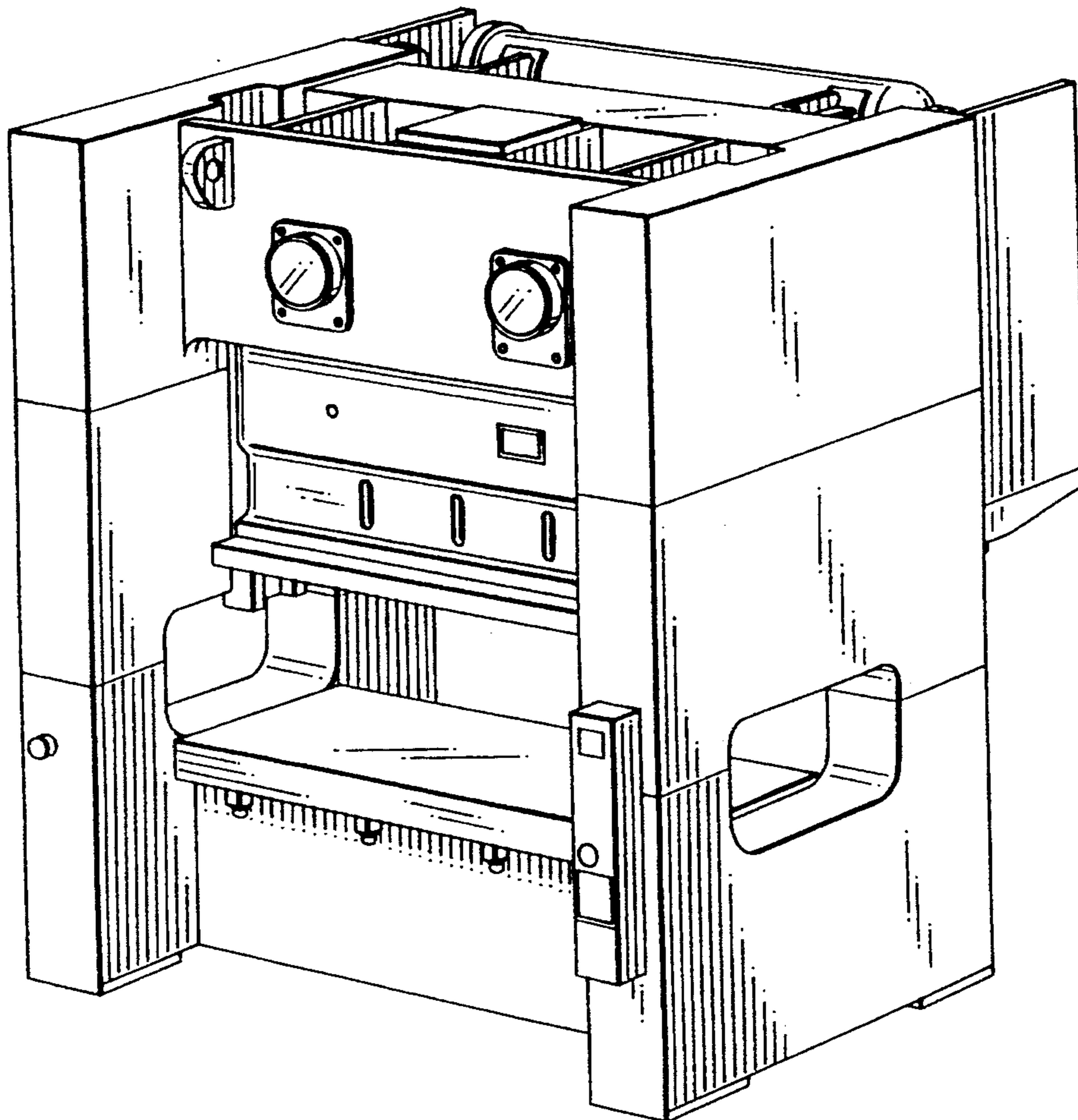


FIG. 3

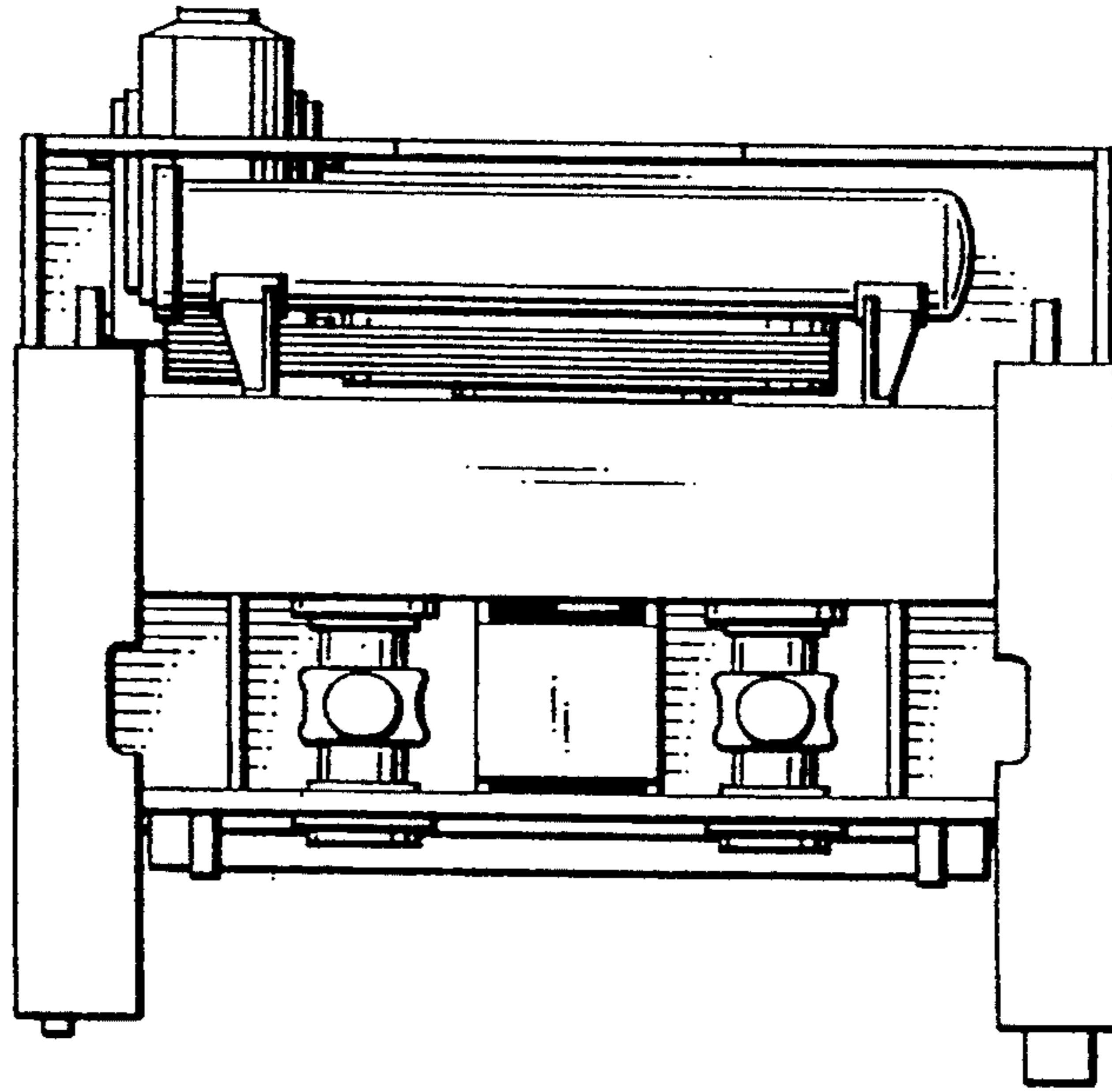


FIG. 1

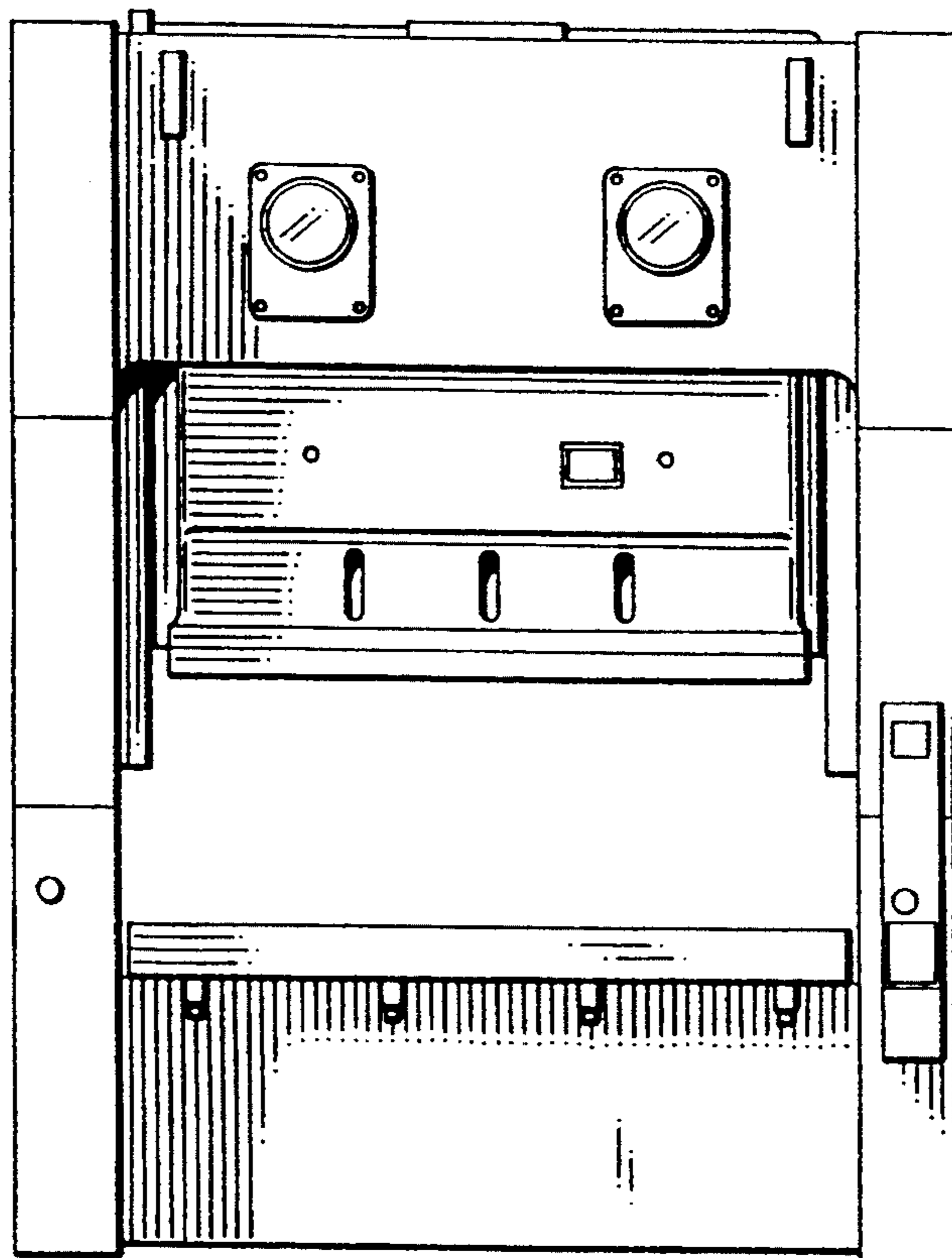


FIG. 2

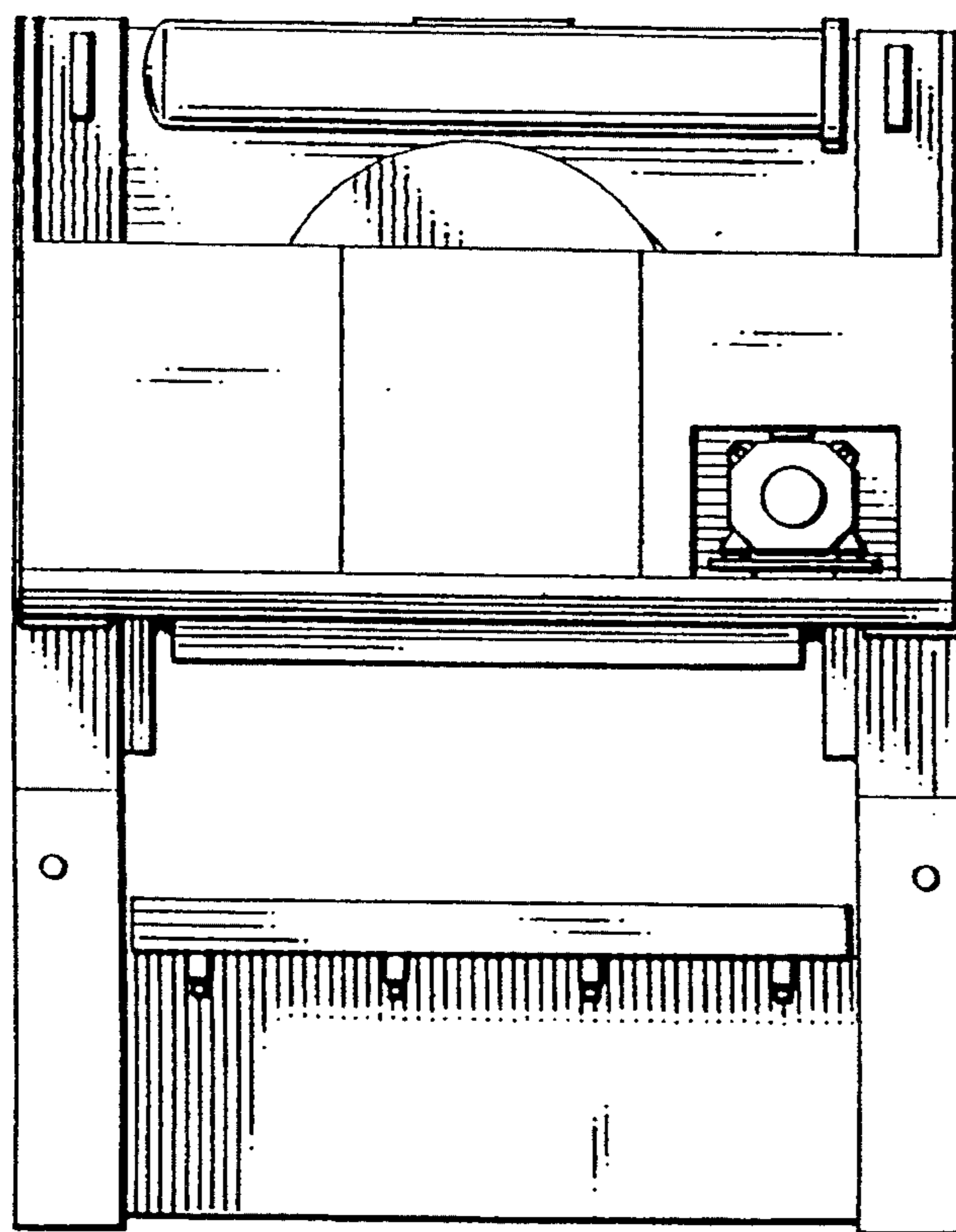


FIG. 4

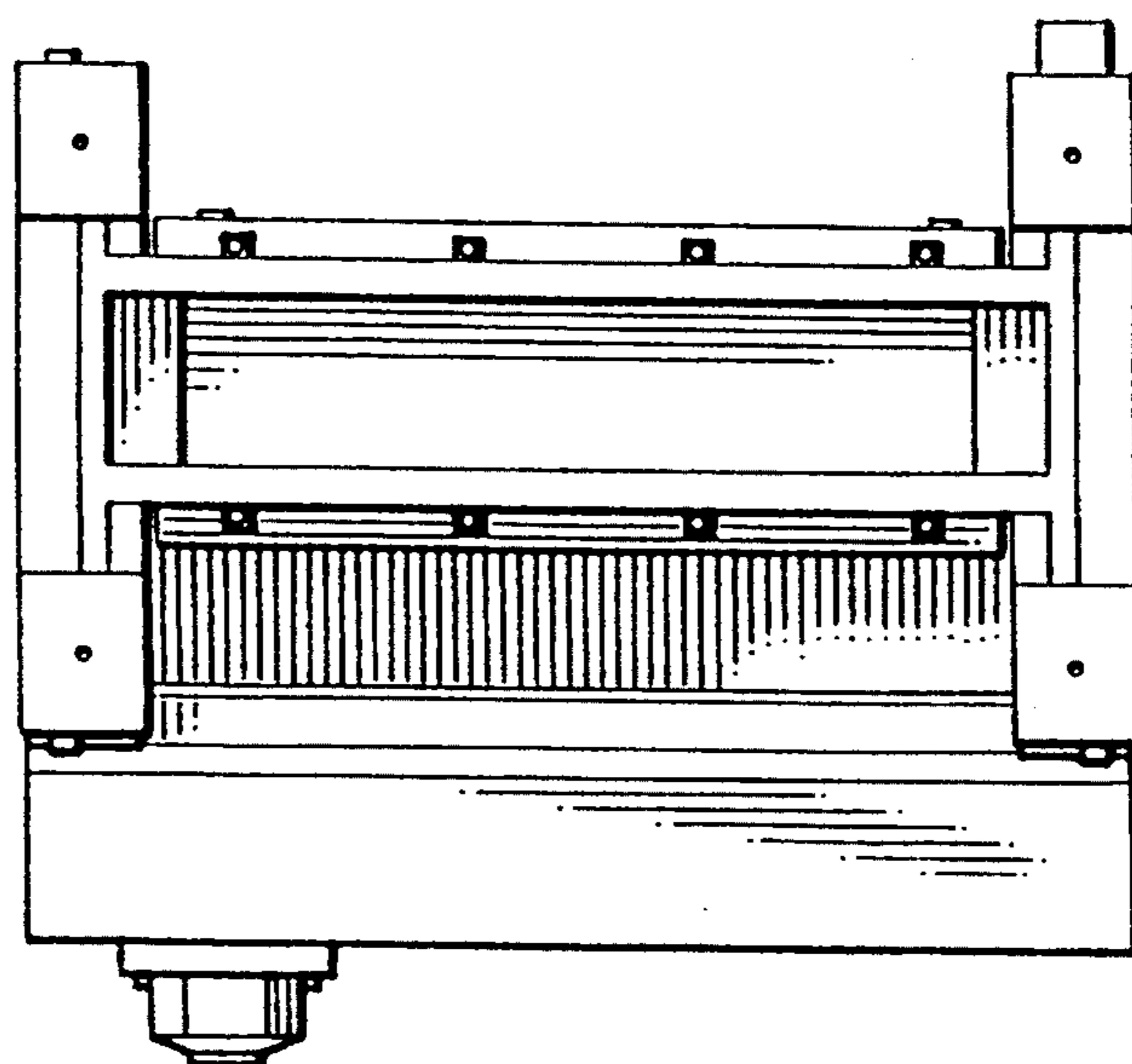


FIG. 6

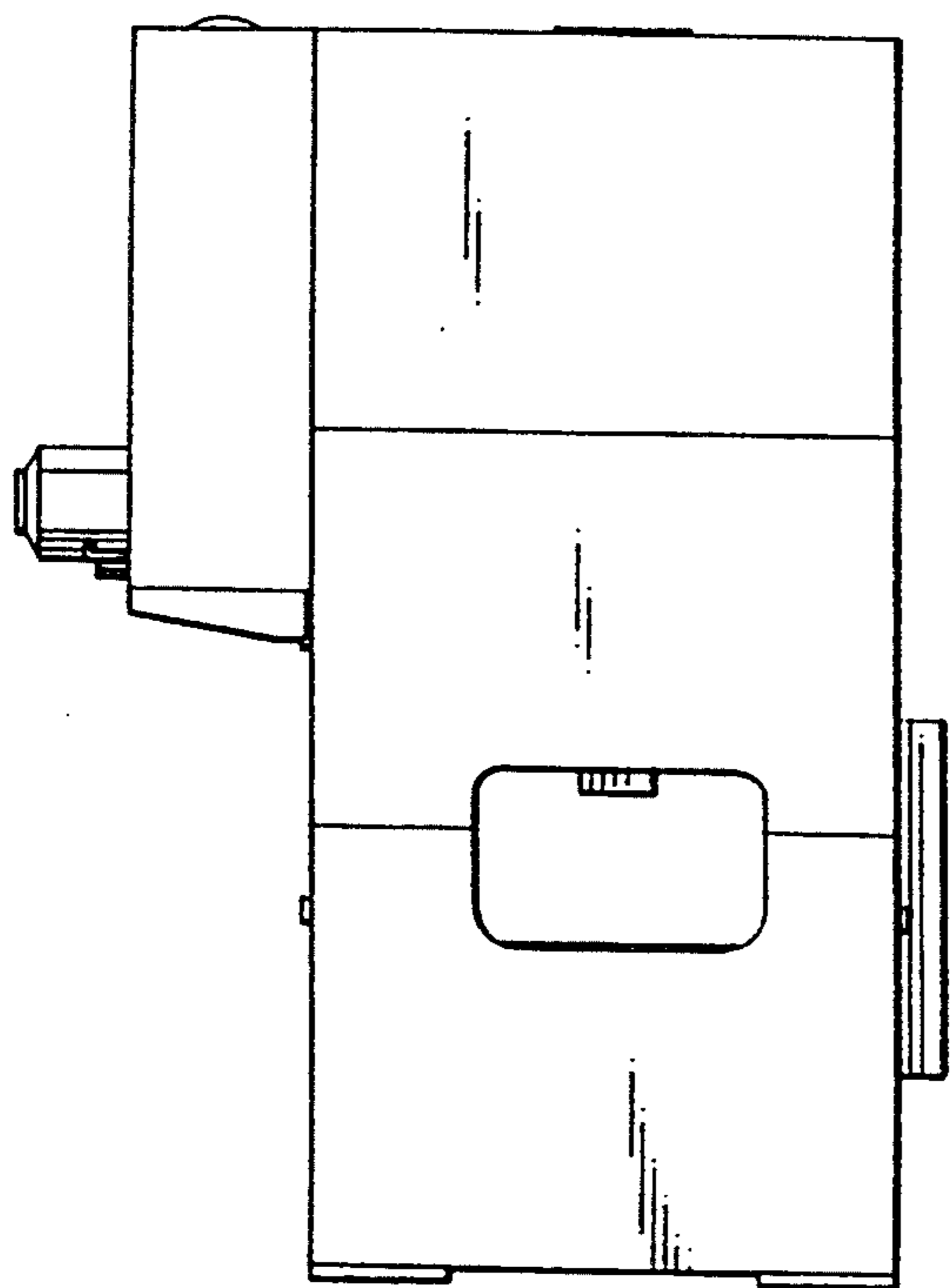


FIG. 5

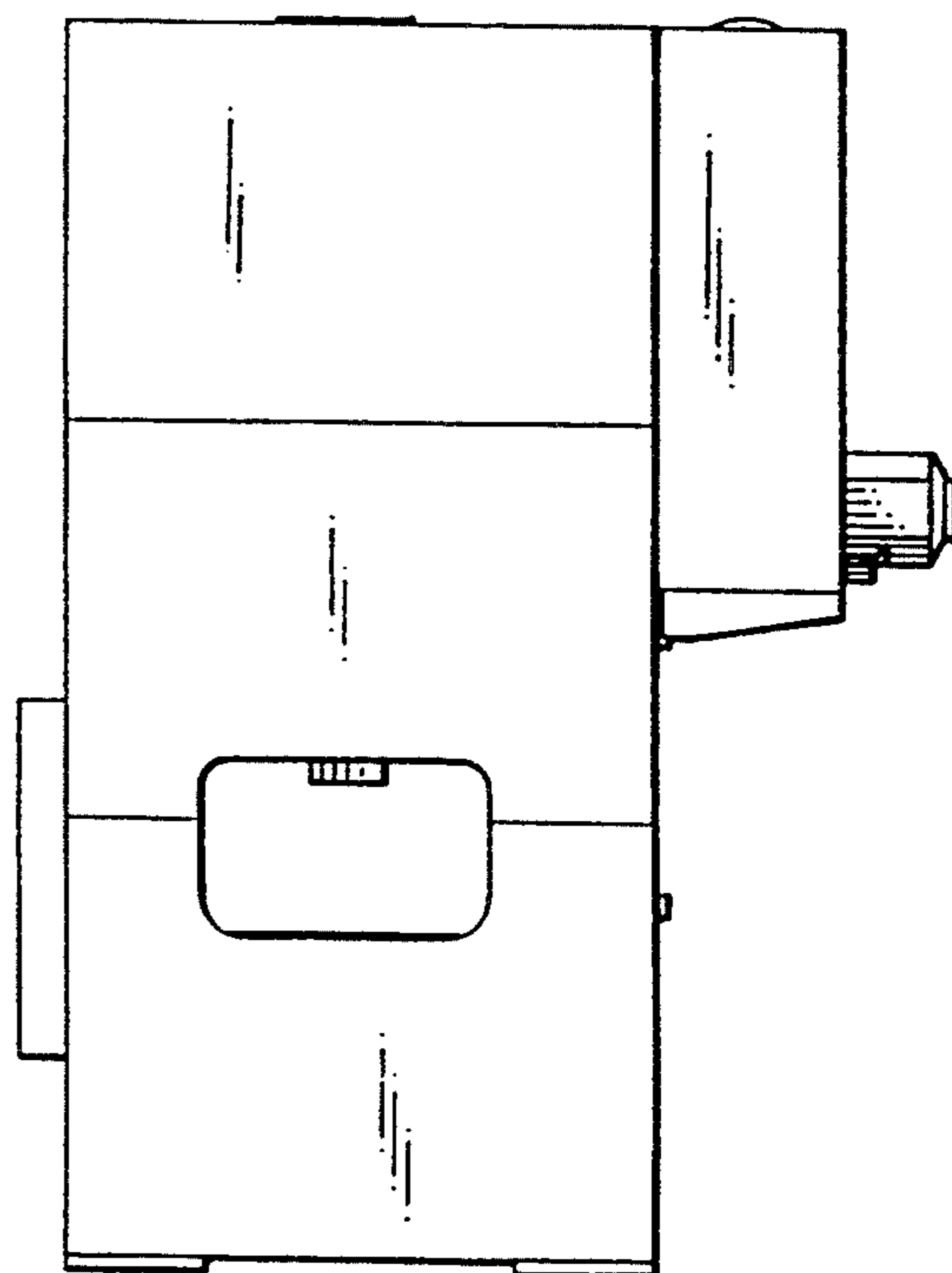


FIG. 7

